

A synchronous program algebra: a basis for reasoning about shared-memory and event-based concurrency

Ian J. Hayes

Larissa A. Meinicke

Kirsten Winter

Robert J. Colvin

School of Information Technology and Electrical Engineering,
The University of Queensland, Australia

Abstract. This research started with an algebra for reasoning about rely/guarantee concurrency for a shared memory model. The approach taken led to a more *abstract algebra of atomic steps*, in which atomic steps synchronise (rather than interleave) when composed in parallel. The algebra of rely/guarantee concurrency then becomes an instantiation of the more abstract algebra. Many of the core properties needed for rely/guarantee reasoning can be shown to hold in the abstract algebra where their proofs are simpler and hence allow a higher degree of automation. The algebra has been encoded in Isabelle/HOL to provide a basis for tool support for program verification.

In rely/guarantee concurrency, programs are specified to guarantee certain behaviours until assumptions about the behaviour of their environment are violated. When assumptions are violated, program behaviour is unconstrained (aborting), and guarantees need no longer hold. To support these guarantees a second synchronous operator, weak conjunction, was introduced: both processes in a weak conjunction must agree to take each atomic step, unless one aborts in which case the whole aborts. In developing the laws for parallel and weak conjunction we found many properties were shared by the operators and that the proofs of many laws were essentially the same. This insight led to the idea of generalising synchronisation to an abstract operator with only the axioms that are shared by the parallel and weak conjunction operator, so that those two operators can be viewed as instantiations of the abstract synchronisation operator. The main differences between parallel and weak conjunction are how they combine individual atomic steps; that is left open in the axioms for the abstract operator.

Milner's process algebra SCCS also includes a synchronous parallel operator and (again) the main difference between it and Aczel's synchronous parallel operator is how it combines individual atomic steps. Milner's parallel can be seen as another instance of the abstract synchronisation operator. Moreover, the realisation that the synchronisation mechanisms of standard process algebras, such as CSP and CCS/SCCS, can be interpreted in our abstract algebra gives evidence of its unifying power.

1. Introduction

Our overall goal is to provide mechanised support for the development and verification of concurrent programs based on the rely/guarantee technique of Jones [17, 18, 19]. Our approach is to develop a concurrent program algebra similar to Concurrent Kleene Algebra [16] and Synchronous Kleene Algebra [30]. The algebra is mechanised as Isabelle/HOL theories. The theory makes use of a synchronous parallel operator due to Aczel [1, 10] that is designed to support the rely/guarantee approach for shared memory concurrency. The general nature of the algebra lends itself, unexpectedly to the authors at first, to an interpretation in which properties of the abstract communication of process algebras may be described, and which uses concepts common to the rely/guarantee framework.

Atomic steps and commands Many models of concurrent systems are based on a notion of primitive *atomic* steps which can be combined into more complex terms, referred to here as *commands*. For process algebras like Milner’s CCS/SCCS [23] and Hoare’s CSP [15], events are viewed as being atomic. For shared memory concurrency, operations like individual reads and writes of memory words are viewed as atomic.

Synchronisation In CSP, events common to the alphabets of two parallel processes are synchronised as a single event of their composition, while other events of the processes interleave [15]. In CCS, every event e has a complementary event \bar{e} , where a parallel composition may synchronise an e event from one process with an \bar{e} event of the other to give an internal action ι , or the actions may interleave [23]. Milner recognised the commonality between these languages when he proposed Synchronous CCS (SCCS) [24]. In SCCS every step of a parallel composition $c \parallel d$ is a synchronisation of a step of c with a step of d . To allow for interleaving, a step e of one process may be matched with an idling step, $\mathbf{1}$, of the other process to give a step e of their parallel composition. CCS can be encoded within SCCS by providing an asynchronising operation that allows interleaving of atomic steps [23, Section 9.3].

Rely/guarantee concurrency To handle the semantics of rely/guarantee concurrency for shared memory systems Aczel [1, 10] invented traces that include both program steps $\pi(\sigma, \sigma')$ and environment steps $\epsilon(\sigma, \sigma')$, where the state space contains the values of the program variables and σ and σ' are the before and after states of the steps. The environment steps of a process record the interference from its environment. In Aczel’s model a parallel composition $c \parallel d$ synchronises a program step $\pi(\sigma, \sigma')$ of c with an environment step $\epsilon(\sigma, \sigma')$ of d to give a program step $\pi(\sigma, \sigma')$ of $c \parallel d$. It also synchronises a common environment step $\epsilon(\sigma, \sigma')$ of both c and d to give an environment step $\epsilon(\sigma, \sigma')$ of $c \parallel d$. Hence Aczel’s shared memory model, like Milner’s SCCS, also treats parallel composition as a synchronising operator.

Abstracting synchronous operators In our previous work on an algebra of synchronous atomic steps [14], our motivation was to provide an algebra that supported rely/guarantee concurrency and Aczel’s synchronous model of the parallel operator. It was only after we developed the algebra that we realised that it was related to Milner’s SCCS and hence also to Prisacariu’s Synchronous Kleene Algebra (SKA) [30]. Our previous research on rely/guarantee concurrency [13, 20, 12] also made use of a weak conjunction operator \bowtie (explained in more detail in Section 5) that is also a synchronous operator with properties similar to the parallel operator. One of the contributions of this paper is to devise an abstract algebra for such synchronous operators.

Perhaps the most important concept for abstracting synchronous operators is that the algebra for synchronising the individual atomic steps can be treated separately to the algebra for the wider context that supports sequences of atomic steps. For Milner’s SCCS, the (atomic) events form a commutative group with an operator \times [23, Section 9.3]. He used a prefixing operator $a.c$ to prefix an event a onto a process c , and his parallel operator satisfies the interchange law,

$$a.c \parallel b.d = (a \times b).(c \parallel d), \quad (1)$$

where a and b are events and c and d are processes. Our approach differs in that we embed atomic commands (corresponding to Milner’s events) as a distinguished subset of commands and thus make use of the same parallel operator to combine them (rather than introducing a new operator \times). In addition, prefixing becomes a special case of sequential composition for which the first command is atomic. Milner’s interchange law (1) becomes,

$$a;c \parallel b;d = (a \parallel b);(c \parallel d), \quad (2)$$

where it should be emphasised that this law only provides an equality if a and b are atomic commands.

One of the advantages of treating atomic steps as a subset of commands is that all of the operators on commands may be applied to atomic commands. In particular, because commands form a lattice under the refinement ordering,

the lattice meet and join operators can be applied to atomic commands. In fact, atomic commands form a sub-lattice of commands. It also turns out to be useful to add a complement operator on atomic commands, which means they form a Boolean algebra (see Section 2.3).

The main differences between the different forms of synchronous operators (e.g. the different parallel operators in the different languages and weak conjunction) is how they are defined on atomic steps but otherwise these operators satisfy a range of similar laws and hence, to avoid duplicating these laws and their proofs, it is advantageous to consider an algebra for an abstract synchronisation operator \otimes , which we later instantiate for each synchronous operator. The operator \otimes is associative, commutative and has identity $\mathcal{I}d$.

The abstract synchronisation operator $c \otimes d$ synchronises the commands c and d by synchronising the atomic steps of c and d . At this level of abstraction the definition of $a \otimes b$ for atomic steps a and b is left open because it differs for the different instantiations of the synchronisation operator (e.g., parallel composition and weak conjunction). In fact, the definition of $a \otimes b$ on atomic commands for each instantiation largely defines the respective operation. Given that the command **nil** is the null command, i.e. the identity of sequential composition, \otimes satisfies,

$$a;c \otimes b;d = (a \otimes b);(c \otimes d) \quad (3)$$

$$\mathbf{nil} \otimes \mathbf{nil} = \mathbf{nil} \quad (4)$$

$$a;c \otimes \mathbf{nil} = \top \quad (5)$$

where \top is the top of the refinement lattice and represents the everywhere infeasible command (sometimes referred to as “magic”). For example, the above laws hold with \otimes instantiated with \parallel , so that (3) corresponds to (2). The other laws codify that two null commands synchronise to give null (4) and that a null command cannot synchronise with a command that performs at least one atomic step – their combination is infeasible (5).

Distinguishing program and environment steps Motivated by Aczel’s model [1], when dealing with the parallel operator it is useful to consider two disjoint subsets of atomic commands: one corresponding to program steps and the other corresponding to environment steps, where there is usually exactly one environment step to match each and every program step. These two sets form a basis for building any atomic command as a non-deterministic choice over a set of program and environment steps. The set of all commands built from program steps forms a sub-lattice, as does the commands built from environment steps.

It turns out that the distinction between program and environment steps is also relevant for handling process algebras. For a set of events $Event$ and $e \in Event$, let $\pi(e)$ represent the process performing event e and $\epsilon(e)$ represent the environment of the process performing an e . For CSP-style concurrency, two processes synchronising on an event e corresponds to a $\pi(e)$ step of one process synchronising with a $\pi(e)$ step of the other. And an interleaving event corresponds to a $\pi(e)$ step of one process synchronising with a $\epsilon(e)$ step of the other.

The non-deterministic choice over all environment steps, $\epsilon = \prod_{e \in Event} \epsilon(e)$, allows the environment to perform any event whatsoever and hence corresponds to the atomic step identity of parallel and corresponds to Milner’s identity **1** for SCCS [23]. However, Milner only supports the identity and not the complete range of commands that can be built from combinations of program and environment steps.

For a set of events, $E \subseteq Event$, it is useful to define an atomic command that can perform any of the events in E , $\pi(E) = \prod_{e \in E} \pi(e)$, and another that allows the environment to perform any events in E , $\epsilon(E) = \prod_{e \in E} \epsilon(e)$. These commands can be used as primitives in representations of process algebras (Section 9). Returning to Aczel’s model, the primitive events are pairs of before and after states, (σ, σ') , so that $\pi(\sigma, \sigma')$ forms a primitive atomic program step and $\epsilon(\sigma, \sigma')$ forms a primitive atomic environment step. In this case a set of events becomes a set of pairs of states, i.e. a binary relation r on states. This gives the commands $\pi(r)$ and $\epsilon(r)$ that we use in Section 7 to build our rely/guarantee theory. This simple approach of treating a pair of states as an event shows part of the relationship between process algebras and shared memory concurrency. There is a further constraint in shared memory concurrency that the after state of one step equals the before state of the next.

Overview of paper Section 2 introduces a Demonic Refinement Algebra (DRA) that includes a sub-algebra of tests (Section 2.2), and a sub-algebra of atomic steps (Section 2.3). Section 3 extends this with our abstract synchronisation operator (\otimes) along with a range of laws applicable at this level of abstraction, in particular, those involving iterations of atomic steps (see Section 4). Section 5 then develops two instantiations of the abstract synchronisation operator as a synchronous parallel operator and as weak conjunction. Section 6 examines introducing sub-algebras of program and environment steps and using them as a basis for all atomic commands. Section 7 develops abstract specification, rely and guarantee commands that can be used to specify rely/guarantee quintuples. Section 8 provides an interpretation of these abstract commands to support rely-guarantee reasoning about shared memory concurrency. It contains a formal

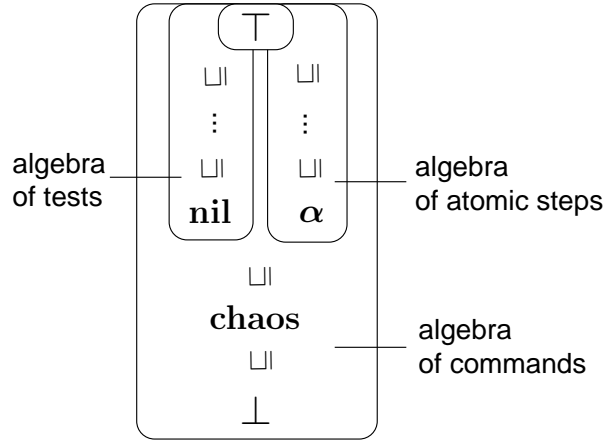


Fig. 1. The Synchronous Refinement Algebra and its sub-algebras

development of an abstract parallel introduction law, a fundamental law in rely-guarantee concurrency. Section 9 provides an interpretation of the algebra that provides process algebraic abstract communication via events. We show how the binary synchronisation of CCS and the multi-way synchronisation of CSP are defined in the abstract algebra. We also sketch a simple interpretation of the algebra that combines both state-based and event-based communication. Section 10 considers related work.

2. Demonic Refinement Algebra

The basis for our program algebra is similar to von Wright’s Demonic Refinement Algebra (DRA) [33], which is designed to support algebraic reasoning in a refinement calculus style [3, 4, 26, 27]. We define the following structure.

$$(\mathcal{C}, \sqcap, \sqcup, \perp, \top, \text{nil})$$

where the carrier set \mathcal{C} is the set of *commands* containing distinguished element nil , the identity of the sequential composition operator, “;”. The operators \sqcap and \sqcup take sets of commands and return a command. We use the notation $c \sqcap d$ to stand for $\sqcap\{c, d\}$ and $c \sqcup d$ for $\sqcup\{c, d\}$. Unary operators have higher precedence than all binary operators. Sequential composition has higher precedence than all other binary operators and non-deterministic choice has lower precedence than all other operators, but otherwise we make no assumptions about precedence.

Commands form a complete distributive lattice $(\mathcal{C}, \sqcap, \sqcup, \perp, \top)$ with *nondeterministic choice* as the lattice meet ($c \sqcap d$), and *conjunction* of commands as the lattice join ($c \sqcup d$). The top of the lattice $\top \hat{=} \sqcap \emptyset$ is the infeasible command (called “magic” in the refinement calculus) and the bottom of the lattice $\perp \hat{=} \sqcup \emptyset$ is the command that aborts. The partial order defined on commands is the refinement relation $c \sqsubseteq d$ meaning c is refined (or implemented) by d . For any commands $c, d \in \mathcal{C}$, $c \sqsubseteq d \hat{=} (c \sqcap d) = c$, and hence $\perp \sqsubseteq c \sqsubseteq \top$. We refer to this as the *refinement lattice* (see Figure 1). Note that because DRA is a *refinement* algebra it uses \sqsubseteq as its partial order instead of Kozen’s \geq and hence our lattice of commands is the dual of Kozen’s lattice for Kleene Algebra with Tests (KAT) [22], i.e., \sqcap in DRA matches \sqcup in KAT, and \sqcup in DRA matches \sqcap in KAT. Given commands form a complete lattice, for any monotone function/least/greatest fixed points are well defined. In particular, fixed points are used to define iteration operators below.

The axioms for sequential composition are given in Figure 2. Sequential composition of commands ($c ; d$) is associative (6) and has identity nil (7). The least command, \perp , is a left (but not right) annihilator (8), and sequential composition distributes over arbitrary choices from the right (9), hence \top is also an annihilator from the left, i.e. $\top ; c = \top$. Sequential composition distributes over non-empty choices from the left (10), however, because $\sqcap \emptyset = \top$ and $\perp ; \top = \perp$ by (8), it does not distribute from the left over the empty choice, and so it is conjunctive, but not universally conjunctive.¹

¹ Conjunctivity holds, for example, for our relational model in Section 8.

Let c and d be commands and C and D be set of commands.

Sequential

$$\begin{aligned}
 c_0; (c_1; c_2) &= (c_0; c_1); c_2 & (6) & & (\bigsqcap C); d &= \bigsqcap_{c \in C} (c; d) & (9) \\
 c; \mathbf{nil} &= c = \mathbf{nil}; c & (7) & & & & \\
 \perp; c &= \perp & (8) & & D \neq \emptyset \Rightarrow c; (\bigsqcap D) &= \bigsqcap_{d \in D} (c; d) & (10)
 \end{aligned}$$

Fig. 2. Axioms for sequential composition

2.1. Iteration of commands

The iteration of a command is inductively defined as $c^0 = \mathbf{nil}$ and $c^{i+1} = c; c^i$. More general iteration operators are captured via greatest (ν) and least (μ) fixed points of the complete lattice:

$$c^* \hat{=} (\nu x. \mathbf{nil} \sqcap c; x) \quad (11)$$

$$c^\omega \hat{=} (\mu x. \mathbf{nil} \sqcap c; x) \quad (12)$$

$$c^\infty \hat{=} c^\omega; \top \quad (13)$$

Finite iteration zero or more times is defined by (11), and (12) defines finite or possibly infinite iteration. Infinite iteration is defined through the possibly infinite iteration followed by \top and hence excludes any finite number of iterations (13). A number of useful laws can be derived. The unfolding laws (14) and (15) and the induction laws (19) and (20) result from the fixed point definitions for iterations. Law (16) follows from (14) and the definition of c^∞ (13), which also justifies (18). Law (17) follows from (16) by induction on i . Iterations are also idempotent under sequential composition (21) and (22).

$$c^\omega = \mathbf{nil} \sqcap c; c^\omega \quad (14) \quad \mathbf{nil} \sqcap c; x \sqsubseteq x \Rightarrow c^\omega \sqsubseteq x \quad (19)$$

$$c^* = \mathbf{nil} \sqcap c; c^* \quad (15) \quad x \sqsubseteq \mathbf{nil} \sqcap c; x \Rightarrow x \sqsubseteq c^* \quad (20)$$

$$c^\infty = c; c^\infty \quad (16) \quad c^\omega; c^\omega = c^\omega \quad (21)$$

$$c^\infty = c^i; c^\infty \quad (17) \quad c^*; c^* = c^* \quad (22)$$

$$c^\infty = c^\infty; d \quad (18)$$

Conjunctivity (10) is required to show Laws (23) and (24). Law (25) follows from (23) and (18).

$$c^\omega = c^* \sqcap c^\infty \quad (23) \quad c^\omega; d = c^*; d \sqcap c^\infty \quad (25)$$

$$c^* = \bigsqcap_{i \in \mathbb{N}} c^i \quad (24)$$

2.2. The sub-algebra of tests

Tests are special commands that are used to model conditionals and while-loops and hence form an essential construct when reasoning about programs in any state-based formalism. Assume t is a test, $\neg t$ is its negation, and c and d are commands, an abstract algebraic representation of conditionals and while-loops for sequential programs is given by

$$\mathbf{if } t \mathbf{ then } c \mathbf{ else } d \hat{=} t; c \sqcap \neg t; d \quad \text{and} \quad \mathbf{while } t \mathbf{ do } c \hat{=} (t; c)^\omega; \neg t.$$

Blikle [6] used this style of representation of programs in a relational algebra and Gardner and Morgan [11] and von Wright [33] in the refinement calculus. Kozen [22] provided *Kleene Algebra with Tests* (KAT) as an abstract-algebraic framework for reasoning about programs with tests. In Kozen's approach, tests form a Boolean sub-algebra within Kleene algebra. We follow his construction here. To introduce a sub-lattice of test commands (see Figure 1) to a DRA $(\mathcal{C}, \sqcap, \sqcup, \cdot, \mathbf{nil})$, we augment it with an additional carrier set $\mathcal{T} \subseteq \mathcal{C}$ of *test commands* and a unary operation of complementation on tests, \neg , such that

$$(\mathcal{T}, \sqcap, \sqcup, \neg, \top, \mathbf{nil})$$

is a Boolean algebra with least element **nil** (a succeeding test) and greatest element \top (a failing test). Additionally, we require tests $t, t' \in \mathcal{T}$ to satisfy the following interchange axiom:

$$(t;c) \sqcup (t';d) = (t \sqcup t'); (c \sqcup d) \quad (26)$$

from which we can show that

$$t;t' = (t \sqcup \mathbf{nil}); (\mathbf{nil} \sqcup t') = (t; \mathbf{nil}) \sqcup (\mathbf{nil}; t') = t \sqcup t' \quad (27)$$

giving us closure of tests over sequential composition. Given a program intuition, the greatest element in the sub-lattice of tests, \top , corresponds to the test that always evaluates to false, and the least element, **nil**, corresponds to the test that always evaluates to true. The smallest non-trivial Boolean sub-algebra of tests is $\{\top, \mathbf{nil}\}$, and is the interpretation of tests for event-based formalisms without an explicit notion of state.

2.2.1. Assertions

Tests also give rise to the concept of *assertions* (preconditions) [33, 31]. The assertion corresponding to a test t is a command which terminates if the test holds and aborts if the test does not hold, i.e.,

$$\mathbf{assert} \ t = t \sqcap \neg t; \perp.$$

Note that KAT is not rich enough to model assertions as it does not include abort. Von Wright [33] has shown that assertions and tests form a Galois connection as follows, a law that can be proved from our axiomatisation:

$$(\mathbf{assert} \ t); c \sqsubseteq d \Leftrightarrow c \sqsubseteq t; d.$$

2.2.2. Encoding in Isabelle

Armstrong et al. [2] present three reference formalisations of Kozen's KAT in the theorem prover Isabelle, of which we follow the two-sorted implementation. Tests are embedded into the lattice of commands via a mapping, an injective homomorphism, from a Boolean algebra $(\mathcal{B}, \cup, \cap, \neg, \perp, \top)$, into the Boolean sub-algebra of test commands:

$$\tau : \mathcal{B} \rightarrow \mathcal{C}$$

giving us the following correspondence between the operations of the Boolean algebra (\mathcal{B}) and tests (\mathcal{T}) :

$$\tau(p \cup q) = \tau(p) \sqcap \tau(q) \quad (28) \quad \tau(\perp) = \top \quad (32)$$

$$\tau(p \cap q) = \tau(p) \sqcup \tau(q) \quad (29) \quad \tau(\top) = \mathbf{nil} \quad (33)$$

$$\tau(\bar{p}) = \neg \tau(p) \quad (30) \quad \tau(p \cap q) = \tau(p); \tau(q) \quad (34)$$

$$p \sqsubseteq q \Leftrightarrow \tau(q) \sqsubseteq \tau(p) \quad (31)$$

Since the natural ordering on the Boolean algebra, $p \sqsubseteq q \Leftrightarrow p \cup q = q$, is the inverse of our ordering on commands, $c \sqsubseteq d \Leftrightarrow c \sqcap d = c$, we have that the partial ordering on the Boolean algebra maps to the inverse of the refinement ordering on tests (31), and the bottom element of the Boolean algebra (\perp) is mapped to the top element of tests (\top), etc. Property (34) follows from (27) and (29). With this encoding, Isabelle's Boolean algebra theory can readily be applied to test commands.

2.3. The sub-algebra of atomic steps

This section introduces the sub-algebra of commands that correspond to atomic steps, $\mathcal{A} \subseteq \mathcal{C}$. These atomic steps will be later shown to have both an interpretation that corresponds to Aczel's program and environment steps (Section 8), and to events from CCS and CSP (Section 9). In the following, the term *step* is used exclusively for an atomic step.

In the same manner that tests form a sub-lattice of commands, the set of atomic steps forms a sub-lattice of commands which is a Boolean algebra (see Figure 1). In particular, we can extend a DRA, $(\mathcal{C}, \sqcap, \sqcup, ;, \mathbf{nil})$, with another carrier set $\mathcal{A} \subseteq \mathcal{C}$, negation operator, $!$, and distinguished element α such that

$$(\mathcal{A}, \sqcap, \sqcup, !, \top, \alpha)$$

forms a Boolean algebra, and atomic steps $a, b \in \mathcal{A}$ satisfy the interchange axiom:

$$(a;c) \sqcup (b;d) = (a \sqcup b); (c \sqcup d) \quad (35)$$

However, unlike for tests, this does not imply that atomic steps are closed under sequential composition, because α is not defined to be **nil**, the identity of sequential composition.

As for commands, the meet corresponds to non-deterministic choice, $a \sqcap b$, and can behave as either a or b . The join of two steps, $a \sqcup b$, can be thought of as a step that both a and b agree to do. Distinguished element α is the least step in the refinement lattice, i.e. the step such that $a \sqcap \alpha = \alpha$ for any atomic step a . It corresponds to the non-deterministic choice over all possible atomic steps. The greatest step in the refinement lattice, \top (also the greatest command in \mathcal{C}), can be thought of as a step that cannot be taken because it is infeasible. From the axioms of Boolean algebra we have that

$$a \sqcup !a = \top \text{ and } a \sqcap !a = \alpha$$

which represents the fact that steps a and $!a$ have no common behaviour, and that $!a$ has all the step behaviours that a does not have. Negation for tests (\neg) differs from negation for atomic steps (!) because we have $\neg\top = \mathbf{nil}$ but $!\top = \alpha$.

2.3.1. Assumptions

The inclusion of a negation operator on steps allows one to define an equivalent of an assertion (see Section 2.2) for atomic steps on the abstract level. For any step a define,

$$\mathbf{assume} a \hat{=} a \sqcap !a; \perp . \quad (36)$$

The command **assume** a behaves as a and terminates, or as $!a$ and aborts. It represents an assumption that step a occurs in the sense that any other step violates the assumption, leading to a state in which any other behaviour is then possible. It becomes a useful tool when reasoning with rely conditions which specify assumptions about the environment's behaviour (see Section 7). We have that conjunction of two assumptions may be simplified as follows.

Lemma 1 (conjoin-assumptions). For $a, b \in \mathcal{A}$, we have that $\mathbf{assume} a \sqcup \mathbf{assume} b = \mathbf{assume}(a \sqcap b)$.

Proof.

$$\begin{aligned} & \mathbf{assume} a \sqcup \mathbf{assume} b \\ &= (a \sqcap !a; \perp) \sqcup (b \sqcap !b; \perp) \\ &= \text{distribute conjunction over choices, } \mathbf{nil} \text{ is the identity of sequential composition (7)} \\ & \quad (a \sqcup b) \sqcap (a; \mathbf{nil} \sqcup !b; \perp) \sqcap (!a; \perp \sqcup b; \mathbf{nil}) \sqcap (!a; \perp \sqcup !b; \perp) \\ &= \text{interchange atomic steps over conjunction (35)} \\ & \quad (a \sqcup b) \sqcap (a \sqcup !b); (\mathbf{nil} \sqcup \perp) \sqcap (!a \sqcup b); (\perp \sqcup \mathbf{nil}) \sqcap (!a \sqcup !b); \perp \\ &= \text{use } \mathbf{nil} \sqcup \perp = \mathbf{nil}, \text{ and } \mathbf{nil} \text{ is the identity of sequential composition (7)} \\ & \quad (a \sqcup b) \sqcap (a \sqcup !b) \sqcap (!a \sqcup b) \sqcap (!a \sqcup !b); \perp \\ &= \text{simplify using the Boolean algebra of atomic steps} \\ & \quad (a \sqcap b) \sqcap !(a \sqcap b); \perp \\ &= \mathbf{assume}(a \sqcap b) \end{aligned}$$

□

From which we have that assumptions are anti-monotonic in their argument, corresponding to the intuition that we can weaken an assumption in a refinement step.

Lemma 2 (weaken-assume). For $a, b \in \mathcal{A}$, if $b \sqsubseteq a$ then $\mathbf{assume} a \sqsubseteq \mathbf{assume} b$.

Proof. From the assumption, $a \sqcap b = b$, hence $\mathbf{assume} a \sqsubseteq \mathbf{assume} a \sqcup \mathbf{assume} b = \mathbf{assume}(a \sqcap b) = \mathbf{assume} b$ □

Lemma 3 (iterated-assumption). For $a \in \mathcal{A}$, $(\mathbf{assume} a)^\omega = a^\omega; (\mathbf{nil} \sqcap !a; \perp)$.

Proof. The iteration can be simplified using the decomposition lemma of DRA, i.e. $(c \sqcap d)^\omega = c^\omega; (d; c^\omega)^\omega$.

$$(\mathbf{assume} a)^\omega = (a \sqcap !a; \perp)^\omega = a^\omega; (!a; \perp; a^\omega)^\omega = a^\omega; (!a; \perp)^\omega = a^\omega; (\mathbf{nil} \sqcap !a; \perp)$$

□

2.3.2. Encoding in Isabelle

Our encoding of the sub-algebra of atomic steps in Isabelle follows the same format as that of the Boolean Algebra of tests presented in Section 2.2.2, and is achieved using an injective homomorphism from some Boolean algebra, $(\mathcal{B}, \cup, \cap, \neg, \perp, \top)$, (typically not the same Boolean algebra used for tests) into the Boolean sub-algebra of atomic steps, $\alpha : \mathcal{B} \rightarrow \mathcal{C}$.

For any commands $c, d \in \mathcal{C}$, set of commands $D \subseteq \mathcal{C}$, atomic steps $a, b \in \mathcal{A}$, and test $t \in \mathcal{T}$,

$$\begin{array}{ll}
c_0 \otimes (c_1 \otimes c_2) = (c_0 \otimes c_1) \otimes c_2 & (39) \\
c \otimes d = d \otimes c & (40) \\
c \otimes \mathcal{I}d = c & (41) \\
D \neq \emptyset \Rightarrow c \otimes (\bigsqcap_{d \in D} D) = (\bigsqcap_{d \in D} c \otimes d) & (42) \\
a \otimes b \in \mathcal{A} & (43) \\
a \otimes \mathbf{1} = a & (44)
\end{array}
\qquad
\begin{array}{ll}
c_0; c_1 \otimes d_0; d_1 \sqsubseteq (c_0 \otimes d_0); (c_1 \otimes d_1) & (45) \\
a; c \otimes b; d = (a \otimes b); (c \otimes d) & (46) \\
a^\infty \otimes b^\infty = (a \otimes b)^\infty & (47) \\
\mathbf{nil} \otimes \mathbf{nil} = \mathbf{nil} & (48) \\
a; c \otimes \mathbf{nil} = \top & (49) \\
t; c \otimes t; d = t; (c \otimes d) & (50)
\end{array}$$

Fig. 3. Axioms for the synchronisation operator

2.4. Atomic steps and tests

Extending a DRA with both atomic steps and tests gives us a three-sorted algebra

$$(\mathcal{C}, \mathcal{T}, \mathcal{A}, \bigsqcap, \bigsqcup, ;, \neg, !, \mathbf{nil}, \alpha)$$

to which we add additional axioms to describe the interactions of steps and tests. As in the Figure 1, we assume that tests and atomic steps share only one element (\top) and hence include

$$\alpha \sqcup \mathbf{nil} = \top \quad (37)$$

in our axiomatisation. We also take as an axiom that an atomic step preceded by any test t is also a step:

$$t; a \in \mathcal{A} \quad (38)$$

although we make no assumption about the succession of a step by a test.

3. Synchronous Refinement Algebra

This section adds an abstract synchronisation operator, \otimes , to the algebra to form a Synchronous Refinement Algebra (SRA). We take the DRA with atomic steps and tests (Section 2) and introduce a synchronisation operation \otimes and distinguished elements $\mathcal{I}d \in \mathcal{C}$ and $\mathbf{1} \in \mathcal{A}$. The axiomatisation is sufficiently general so as to allow multiple interpretations of the operation, e.g. as parallel composition and weak conjunction (see Section 5).

Figure 3 gives the axioms for the abstract synchronisation operator. First, we have that $(\mathcal{C}, \otimes, \mathcal{I}d)$ is a commutative monoid over commands. That is, \otimes is associative (39), commutative (40) and has identity $\mathcal{I}d$ (41). Note that the identity typically differs for the different instantiations of \otimes , e.g. as parallel or weak conjunction in Section 5. The operator \otimes distributes over non-deterministic choices over non-empty sets of commands (42), and so it is monotonic. For an empty set of commands $\bigsqcap \emptyset = \top$, but we do not have a law of the form $c \otimes \top = \top$ because operators like parallel are abort strict, i.e. $\perp \parallel d = \perp$, where \perp represents the command abort, the bottom of the refinement lattice and hence $\perp \parallel \top = \perp$.

Atomic steps are closed under the synchronisation operator (43) and have atomic-step identity $\mathbf{1} \in \mathcal{A}$ (44). From these properties, we have for example that for any atomic step $a \in \mathcal{A}$

$$a \otimes \alpha = a \otimes (\mathbf{1} \sqcap !\mathbf{1}) = a \otimes \mathbf{1} \sqcap a \otimes !\mathbf{1} \sqsubseteq a \otimes \mathbf{1} = a, \quad (51)$$

and so taking a to be α gives $\alpha \otimes \alpha = \alpha$ because α is the least atomic step command.

For arbitrary commands, operator \otimes and sequential composition satisfy a weak interchange axiom (45). A sequence of commands $c_0; c_1$ may synchronise with a sequence $d_0; d_1$ by synchronising c_0 with d_0 and then synchronise c_1 with d_1 . The axiom is only a refinement because synchronising c_0 and d_0 (or c_1 and d_1) may be infeasible, whereas on the left c_0 may synchronise with the whole of d_0 and part of d_1 and c_1 with the rest of d_1 , or vice versa. Axiom (46) describes how the synchronisation of complex commands decomposes into the synchronisation of the atomic steps that constitute it: two commands that both have leading atomic steps are synchronised by synchronising the leading atomic steps, followed by the synchronisation of the remainder of the commands. If a and b cannot synchronise then $a \otimes b$ is infeasible (\top). We take synchronisation of infinite iterations of atomic steps as an axiom (47), although independence of that axiom from the others is an open question.

The distinguished test **nil**, the identity of sequential composition, terminates immediately without performing any atomic steps at all, and so it synchronises with itself (48), but when synchronised with a process that must perform an atomic step before terminating, their composition is infeasible (49). Since synchronisation is monotonic, we have from (49) that for any arbitrary test $t \in \mathcal{T}$,

$$a;c \otimes t = \top, \quad (52)$$

and more specifically

$$a;c \otimes \top = \top \quad (53)$$

because **nil** $\sqsubseteq t \sqsubseteq \top$. Axiom (50) defines how tests distribute over synchronisation for arbitrary commands. Although we *do not* in general have the stronger axiom $c \otimes t;d = t;(c \otimes d)$, we do have that the property holds, for example, when (i) c is a test, (ii) c is preceded by an atomic step, or (iii) c is a refinement of $\mathcal{I}d$.

Lemma 4 (test-command-sync-command). For any atomic command $a \in \mathcal{A}$, commands $c, c', d \in \mathcal{C}$, and tests $t, t' \in \mathcal{T}$, we have that if either $c = t'$, or $c = a;c'$, or $\mathcal{I}d \sqsubseteq c$, then

$$c \otimes t;d = t;(c \otimes d)$$

holds.

Proof. First we have that

$$t;(c \otimes t;d) = (t;c \otimes t;d) = (t;c \otimes t;d) = t;(c \otimes d)$$

by distributing tests over synchronisation (50), simplifying sequential composition of tests using (27), and distributing the test back over the synchronisation. Next, we have

$$\begin{aligned} & \neg t;(c \otimes t;d) \\ = & \text{distribute test over synchronisation (50)} \\ & (\neg t;c \otimes \neg t;t;d) \\ = & \neg t;t = \top \text{ from (27) and } \top;d = \top \text{ from (9)} \\ & \neg t;c \otimes \top \end{aligned}$$

which simplifies to \top using either (52) if $c = t'$, (53) if $c = a;d'$, and $\mathcal{I}d \otimes \top = \top$ (44) and monotonicity of synchronisation (42) if $\mathcal{I}d \sqsubseteq c$.

Using **nil** is the identity of sequential composition (7), distribution of choice (9) and the above results we finally have:

$$c \otimes t;d = \mathbf{nil};(c \otimes t;d) = (t \sqcap \neg t);(c \otimes t;d) = t;(c \otimes t;d) \sqcap \neg t;(c \otimes t;d) = t;(c \otimes d).$$

□

From this, we can also show that the synchronisation operator behaves like a conjunction on tests. Hence tests, like atomic steps, are closed under synchronisation.

Lemma 5 (test-sync-test). For tests $t, t' \in \mathcal{T}$, we have $t \otimes t' = t \sqcap t'$.

Proof. Since $t \in \mathcal{T}$, we can use Lemma 4 to distribute the tests over the synchronisation to the left. Applying (7), Lemma 4 twice, (48) and (27), gives

$$t \otimes t' = (t; \mathbf{nil}) \otimes (t'; \mathbf{nil}) = t;t';(\mathbf{nil} \otimes \mathbf{nil}) = (t;t); \mathbf{nil} = t \sqcap t'.$$

□

The synchronisation operator does not in general distribute over sequential composition but the weak interchange axiom (45) can be used to show a form of distribution.

Lemma 6 (sync-distribute-seq). If $c \sqsubseteq c;c$, then $c \otimes (d_0;d_1) \sqsubseteq (c \otimes d_0);(c \otimes d_1)$.

Proof. Using (45), $c \otimes (d_0;d_1) \sqsubseteq (c;c) \otimes (d_0;d_1) \sqsubseteq (c \otimes d_0);(c \otimes d_1)$.

□

4. Properties of iterations of atomic steps

In addition to defining programming statements such as while loops, iterators are used to build specifications from atomic steps. For instance, commands corresponding to Jones' rely and guarantee concepts are constructed as iterations

of relatively straightforward commands that make assumptions about the steps of the environment and constrain the steps of the program, respectively (see Section 7). Below we provide some useful properties of synchronisation over atomic iterations.

Isabelle/HOL proofs of these lemmas have been completed and they may be also found in Appendix A for review. Note that all properties in this section are proven on the level of the (abstract) synchronisation operator and hence hold for any instantiations, e.g. \parallel and \mathbb{m} . The use of the abstract operator \otimes helps to highlight these as properties that are shared by all synchronisation operators.

Because **nil** performs no steps, if it synchronises with a (possibly) finite iteration, the composition cannot perform any steps but can terminate and hence equals **nil**. If **nil** synchronises with an infinite iteration, the combination cannot perform any steps but cannot terminate, and hence equals the infeasible command \top .

Lemma 7 (atomic-iteration-nil). Let a be an atomic command.

$$a^* \otimes \mathbf{nil} = \mathbf{nil} \quad a^\omega \otimes \mathbf{nil} = \mathbf{nil} \quad a^\infty \otimes \mathbf{nil} = \top$$

Proof. The properties follow from axioms (48) and (49) using unfolding of the iterations: $a^* = \mathbf{nil} \sqcap a; a^*$ and $a^\omega = \mathbf{nil} \sqcap a; a^\omega$ and $a^\infty = a; a^\infty$. \square

For the following lemmas, let a and b be atomic steps, and c and d any commands. Axiom (46) can be extended to iteration i times as given in the following lemma, which is proven by induction on i .

Lemma 8 (atomic-iteration-power). $a^i; c \otimes b^i; d = (a \otimes b)^i; (c \otimes d)$

Choosing c and d to both be **nil** gives the corollary that $a^i \otimes b^i = (a \otimes b)^i$.

In the following lemmas we then generalize Lemma 8 further to account for cases where atomic steps a and b are iterated an arbitrary number of times before pre-composing them with c and d , respectively. For these cases, we take into consideration situations where there may be more iterations of a than b (and hence the additional iterations of a are in parallel with the start of d), or the symmetric case when there may be more occurrences of b than a . The proofs of these lemmas rely on the conjunctivity axiom (10), and the properties (23) and (24) that are derived from it. First we consider the case where a and b are iterated an arbitrary finite number of times.

Lemma 9 (atomic-iteration-finite). $a^*; c \otimes b^*; d = (a \otimes b)^*; ((c \otimes b^*; d) \sqcap (a^*; c \otimes d))$

The proof of this lemma can be found in Appendix A, on page 27. Unfolding b^* and a^* using (15) gives the following corollary.

Corollary 10 (atomic-iteration-finite). $a^*; c \otimes b^*; d = (a \otimes b)^*; ((c \otimes d) \sqcap (c \otimes b; b^*; d) \sqcap (a; a^*; c \otimes d))$

Choosing c and d to both be **nil** gives the following as a corollary using (48) and (49).

Corollary 11 (atomic-finite-sync). $a^* \otimes b^* = (a \otimes b)^*$

When b is iterated an infinite number of times, there cannot be more iterations of a than b , and so we get the following.

Lemma 12 (atomic-iteration-finite-infinite). $a^*; c \otimes b^\infty = (a \otimes b)^*; (c \otimes b^\infty)$

Appendix A provides the proof on page 27. Combining Lemmas 9 and 12 and using (25) the following lemma can be derived.

Lemma 13 (atomic-iteration-finite-omega). $a^*; c \otimes b^\omega; d = (a \otimes b)^*; ((c \otimes b^\omega; d) \sqcap a^*; c \otimes d)$

The case in which a and b may both be iterated a finite or infinite number of times has the same structure as Lemma 9.

Lemma 14 (atomic-iteration-either). $a^\omega; c \otimes b^\omega; d = (a \otimes b)^\omega; ((c \otimes b^\omega; d) \sqcap (a^\omega; c \otimes d))$

The proof is listed in Appendix A on page 27. Unfolding a^ω and b^ω using (14) gives the following corollary.

Corollary 15 (atomic-iteration-either). $a^\omega; c \otimes b^\omega; d = (a \otimes b)^\omega; ((c \otimes d) \sqcap (c \otimes b; b^\omega; d) \sqcap (a; a^\omega; c \otimes d))$

Choosing c and d to both be **nil** gives the following corollary using (48) and (49).

Corollary 16 (atomic-either-sync). $a^\omega \otimes b^\omega = (a \otimes b)^\omega$

In Section 7.3 a rely command is defined in terms of an iteration that may abort if the environment performs a step not satisfying the rely condition. Here we provide an abstract lemma for reasoning about an iteration of a command that aborts after an a_1 step (representing the rely not holding). Both weak conjunction and parallel are abort strict and hence satisfy the assumption of this lemma.

Lemma 17 (iterations-with-abort). Provided $c \otimes \perp = \perp$ for all commands c ,

$$(a_0 \sqcap a_1; \perp)^\omega \otimes b^\omega = (a_0 \otimes b)^\omega; (\mathbf{nil} \sqcap (a_1 \otimes b); \perp).$$

The proof is listed in Appendix A on page 28.

5. Instantiating parallel and weak conjunction as synchronous operators

Given a DRA with atomic steps and tests as in Section 2, we have that the conjunction operator, \sqcup , with synchronisation identity \perp and atomic-step synchronisation identity α satisfies the axioms of the synchronisation operator \otimes of SRA. In this section we give a further instantiation of synchronisation as two new operators: parallel and weak conjunction. We define a SRA with parallel (\parallel) and weak conjunction ($\mathring{\cap}$) to be the three-sorted algebra

$$(\mathcal{C}, \mathcal{T}, \mathcal{A}, \sqcap, \sqcup, ;, \parallel, \mathring{\cap}, \neg, !, \mathbf{nil}, \alpha, \mathbf{skip}, \mathbf{chaos}, \epsilon)$$

such that

$$(\mathcal{C}, \mathcal{T}, \mathcal{A}, \sqcap, \sqcup, ;, \neg, !, \mathbf{nil}, \alpha)$$

is a DRA with atomic steps and tests, and $(\parallel, \mathbf{skip}, \epsilon)$ is a synchronisation operator parallel, \parallel , with $\mathbf{1}$ taken to be the new distinguished element $\epsilon \in \mathcal{A}$, and $\mathcal{I}d$ identified to be $\mathbf{skip} = \epsilon^\omega$; and $(\mathring{\cap}, \mathbf{chaos}, \alpha)$ is synchronisation operator weak conjunction, $\mathring{\cap}$, with $\mathbf{1}$ taken to be α and $\mathcal{I}d$ taken to be $\mathbf{chaos} = \alpha^\omega$. Further, we constrain $\mathring{\cap}$ to be idempotent,

$$c \mathring{\cap} c = c \tag{54}$$

and both of the synchronisation operators parallel and weak conjunction to be abort-strict,

$$c \parallel \perp = \perp \tag{55}$$

$$c \mathring{\cap} \perp = \perp \tag{56}$$

as well as introducing an additional interchange axiom to describe the interplay of the operators:

$$(c_0 \parallel d_0) \mathring{\cap} (c_1 \parallel d_1) \sqsubseteq (c_0 \mathring{\cap} c_1) \parallel (d_0 \mathring{\cap} d_1). \tag{57}$$

That axiom codifies that one way of synchronising all the steps of $c_0 \parallel d_0$ and $c_1 \parallel d_1$ is to synchronise all the steps of c_0 with c_1 and synchronise all the steps of d_0 with d_1 .

5.1. Weak conjunction

Weak conjunction behaves like conjunction (\sqcup) up until the failure of either command. It is a useful operator for composing a command together with a requirement that need only hold until the environmental assumptions of that command are violated, resulting in program failure (abortion).

From idempotence (54) and monotonicity (42), we can show that the weak conjunction of any two commands c and d , is refined by their conjunction:

$$c \mathring{\cap} d \sqsubseteq (c \sqcup d) \mathring{\cap} (c \sqcup d) = c \sqcup d \tag{58}$$

and that weak conjunction of any two commands c and d is equal to the conjunction of those commands if both c and d are refinements of the identity of weak conjunction (i.e. \mathbf{chaos}), and hence they do not fail:

$$\mathbf{chaos} \sqsubseteq c \wedge \mathbf{chaos} \sqsubseteq d \Rightarrow c \mathring{\cap} d = c \sqcup d \tag{59}$$

because $c \sqcup d = (c \mathring{\cap} \mathbf{chaos}) \sqcup (\mathbf{chaos} \mathring{\cap} d) \sqsubseteq (c \mathring{\cap} d) \sqcup (c \mathring{\cap} d) = (c \mathring{\cap} d)$. This implies that weak conjunction behaves like conjunction on atomic steps $a, b \in \mathcal{A}$,

$$a \mathring{\cap} b = a \sqcup b, \tag{60}$$

because for any atomic step a , $\mathbf{chaos} = \alpha^\omega \sqsubseteq \alpha \sqsubseteq a$. From the axioms of synchronisation and Lemma 5 we already have that weak conjunction behaves like conjunction for tests, i.e. $t \pitchfork t' = t \sqcup t'$. Using these properties we can, for example, show that for atomic steps $a_i, b_i \in \mathcal{A}$,

$$\begin{aligned} & (a_1; a_2; a_3; a_4) \pitchfork (b_1; b_2; \perp) \\ = & \text{apply atomic step interchange axiom (46) twice} \\ & (a_1 \pitchfork b_1); (a_2 \pitchfork b_2); ((a_3; a_4) \pitchfork \perp) \\ = & \text{weak conjunction is conjunction for atomic steps (60) and is abort-strict (56)} \\ & (a_1 \sqcup b_1); (a_2 \sqcup b_2); \perp. \end{aligned}$$

The weak conjunction operators also simplifies to conjunction for iterated assumptions, a fact that will be useful for proving properties on relies.

Lemma 18 (assume-iter-conj-assume-iter). For any atomic steps $a, b \in \mathcal{A}$,

$$(\mathbf{assume} a)^\omega \pitchfork (\mathbf{assume} b)^\omega = (\mathbf{assume}(a \sqcup b))^\omega$$

Appendix A provides the proof on page 29.

5.2. Parallel

Like weak conjunction, the parallel operator can be thought of as synchronising the atomic steps of two commands until either terminates, fails, or becomes infeasible, e.g.

$$\begin{aligned} (a_1; a_2; a_3; a_4) \parallel (b_1; b_2; b_3; b_4) &= (a_1 \parallel b_1); (a_2 \parallel b_2); (a_3 \parallel b_3); (a_4 \parallel b_4) \\ (a_1; a_2; a_3; a_4) \parallel (b_1; b_2; \perp) &= (a_1 \parallel b_1); (a_2 \parallel b_2); \perp \\ (a_1; a_2; a_3; a_4) \parallel (b_1; b_2; \top) &= (a_1 \parallel b_1); (a_2 \parallel b_2); \top \end{aligned}$$

The definition of $a \parallel b$ for atomic steps a and b is not further axiomatised here to retain its generality, but we show how it may be interpreted in different formalisms in Sections 8 and 9.

For the parallel operator, the element ϵ , the atomic step that synchronises under parallel with any other atomic step $a \in \mathcal{A}$,

$$a \parallel \epsilon = a, \tag{61}$$

can be interpreted as a placeholder for any one step taken by the environment. For example, prefixing a command c with ϵ , i.e. $\epsilon; c$, defines a process that waits for one step, allowing any single environment step to take place, before behaving as c . The command $\mathbf{skip} = \epsilon^\omega$ represents any finite or infinite number of steps taken by the environment and is the identity of parallel for arbitrary command $c \in \mathcal{C}$:

$$c \parallel \mathbf{skip} = c.$$

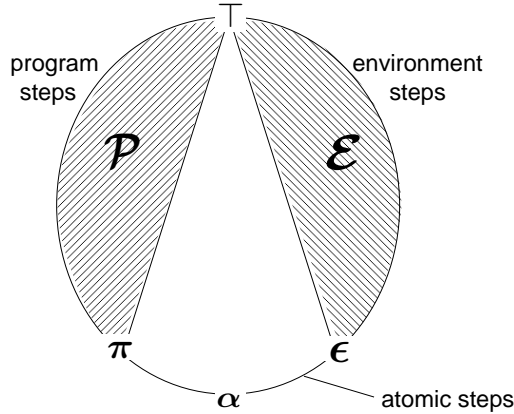
This allows us to define, for any atomic step $a \in \mathcal{A}$, a program $\epsilon^\omega; a; \epsilon^\omega$, that takes step a , but permits any possible environment behaviour both beforehand and afterwards. (Note that the environment may interrupt the process forever with an infinite sequence of environment steps, thus preventing the process from taking step a .) Programs of this form are the building blocks of (interleaving) event-based languages, and are used in Section 9 to describe the interpretation of the parallel operator in process algebras.

The introduction of the atomic step ϵ , also provides us with an opportunity to further decompose the set of atomic steps, \mathcal{A} , into sub-algebras of program and environment steps, which we do in the following section.

6. Program and environment steps

Given that ϵ represents any possible step taken by the environment, we define \mathcal{E} to be the subset of atomic steps $\varepsilon_i \in \mathcal{A}$ such that $\epsilon \sqsubseteq \varepsilon_i \sqsubseteq \top$. These correspond the set of all possible *environment steps*, and they can be shown to form a Boolean sub-algebra of atomic steps with disjunction \sqcup , conjunction \sqcap , and with the negation of an environment step ε_i within \mathcal{E} defined to be $(! \varepsilon_i) \sqcup \epsilon$. We then define the complement of ϵ within \mathcal{A} ,

$$\pi = ! \epsilon \tag{62}$$

Fig. 4. \mathcal{P} and \mathcal{E} as Boolean sub-algebras of \mathcal{A}

to be the atomic step that can take any possible program step, and \mathcal{P} to be the subset of atomic steps $\pi_i \in \mathcal{A}$ such that $\pi \sqsubseteq \pi_i \sqsubseteq \top$. These are then the set of all possible *program steps*, and they can also be shown to form a Boolean sub-algebra of atomic steps.

Figure 4 illustrates the relation between program, environment and atomic steps. Both sub-lattices have a bottom element, π and ϵ respectively, and share the same top element, \top , with \mathcal{A} and the command lattice \mathcal{C} . Because both program steps and environment steps form a sub-lattice of the atomic steps \mathcal{A} , we have that the bottom element of \mathcal{A} , α , is refined by any program step as well as any environment step.

$$\alpha \sqsubseteq \pi \qquad (63) \qquad \alpha \sqsubseteq \epsilon \qquad (64)$$

As depicted in Figure 4, program and environment steps have only the top element \top in common (65). All other atomic steps are either program or environment steps, or some non-deterministic choice over program and environment steps (66). By definition (62), the non-deterministic choice between the least program and environment step $\epsilon \sqcap \pi = \epsilon \sqcap !\epsilon$ is α . An atomic step negation applied to an arbitrary environment step, $!\epsilon_i$, results in any atomic step other than one ϵ_i can perform and hence the non-deterministic choice of ϵ_i and its negation equals the bottom of \mathcal{A} (67), which includes any possible program steps. Atomic negation applied to the bottom of \mathcal{P} , $!\pi$, results in the non-deterministic choice over any atomic steps that are not program steps, which is the same as ϵ (68).

$$\pi_i \sqcup \epsilon_i = \top \qquad (65) \qquad !\epsilon_i \sqcap \epsilon_i = \alpha \qquad (67)$$

$$\pi_i \sqcap \epsilon_i \in \mathcal{A} \qquad (66) \qquad !\pi = \epsilon \qquad (68)$$

The distinction between program and environment steps enables us to specify and prove some basic algebraic laws about guarantees and relies in Section 7.

6.1. Embedding in Isabelle

As for the encoding of the Boolean algebra of tests, described in Section 2.2.2, program and environment steps are embedded into the lattice of commands via mappings, injective homomorphisms, from some Boolean algebras \mathcal{B}_1 and \mathcal{B}_2 into the Boolean sub-algebras of environment and program steps, respectively: $\epsilon : \mathcal{B}_1 \rightarrow \mathcal{A}$ and $\pi : \mathcal{B}_2 \rightarrow \mathcal{A}$, where usually $\mathcal{B}_1 = \mathcal{B}_2$ so that each program step has a matching environment step.

With this mapping in place, the non-deterministic choice of two program steps as well as the join and the weak conjunction of two program steps can be computed on the level of the Boolean algebra, (69–70). The same set of

lemmas holds for environment steps, (74–75).

$$\pi(p \cup q) = \pi(p) \sqcap \pi(q) \quad (69) \quad \epsilon(p \cup q) = \epsilon(p) \sqcap \epsilon(q) \quad (74)$$

$$\pi(p \cap q) = \pi(p) \sqcup \pi(q) \quad (70) \quad \epsilon(p \cap q) = \epsilon(p) \sqcup \epsilon(q) \quad (75)$$

$$\pi(\perp) = \top \quad (71) \quad \epsilon(\perp) = \top \quad (76)$$

$$\pi(\top) = \pi \quad (72) \quad \epsilon(\top) = \epsilon \quad (77)$$

$$p \subseteq q \Leftrightarrow \pi(q) \sqsubseteq \pi(p) \quad (73) \quad p \subseteq q \Leftrightarrow \epsilon(q) \sqsubseteq \epsilon(p) \quad (78)$$

7. Abstract specifications, guarantees and relies

In the rely/guarantee approach of Jones [7, 17, 18, 19], concurrent program specifications are traditionally formulated in terms of a quintuple

$$\{p, r\} c \{g, q\} \quad (79)$$

which extends a Hoare triple with the rely r and guarantee g to handle concurrency [17, 18, 19]. The quintuple states that every program step of c satisfies relation g (on the program state) and that it terminates and establishes the initial-final-state relation q , provided it is executed from an initial state satisfying predicate p and interference from the environment is bounded by relation r .

The synchronous refinement algebra can be used to abstractly represent specifications of this kind. Predicates and the initial-final-state relation are abstracted using tests (Section 2.2), and relations r and g are treated as elements of *some* Boolean algebras \mathcal{B}_1 and \mathcal{B}_2 , respectively, so that $\epsilon(r)$ represents the environment step satisfying r and $\pi(g)$ is the program step satisfying g (Section 6).

Instead of defining such a specification using a monolithic approach as in (79), we decompose the two commitments (described in the above quintuple by g and q) and the two assumptions (p and r), into four separate constructs. Initial-state assumptions (p) can already be represented using assertions (Section 2.2.1), and so in this section we introduce strong specifications (that capture the end-to-end commitment q), program-step guarantees (describing guarantee g) and environment-step assumptions (describing rely r). This simplifies reasoning by allowing the constructs to be treated separately, (e.g. strengthening a guarantee g does not involve p , r and q), as well as in combination. They can be composed to give an overall program specification.

7.1. The strong specification command

A *terminating command*, is one that only performs a finite number of program steps, but puts no constraints on the steps taken by its environment – and hence could be interrupted forever by its environment. The most general non-terminating command, **term**, is defined by

$$\mathbf{term} \hat{=} \alpha^*; \epsilon^\omega, \quad (80)$$

and, formally, we say that a command c is terminating when $\mathbf{term} \sqsubseteq c$. Given a pair of tests $t_1, t_2 \in \mathcal{T}$, a command of the form

$$t_1; \mathbf{term}; t_2$$

represents a terminating command that when started in an initial state satisfying t_1 , terminates (unless it is interrupted indefinitely by its environment) in a final state satisfying t_2 . It is a simple example of an *end-to-end specification*: a terminating command that constrains the initial and final state, but does not otherwise restrict the program or environment steps in any way. We call such specifications *strong* because they must achieve their end-to-end constraints regardless of the behaviour of the environment, and they are usually not implementable unless they are weakened by making assumptions on the environment steps of the command. Environment assumptions may be combined with strong specifications using the weak-conjunction operator to produce feasible specifications. More formally, for $q \in \mathbb{P}(\mathcal{T} \times \mathcal{T})$, we refer to any command

$$\langle q \rangle = \bigsqcap_{(t_1, t_2) \in q} t_1; \mathbf{term}; t_2$$

as a *strong specification command*, an abstraction of Morgan's specification statement [25]. A strong specification $\langle q \rangle$ can be weakened to include an assumption that the initial state of the command satisfies test p , by pre-composing it with the assertion **assert** p , giving **assert** $p; \langle q \rangle$.

We can show that any strong specification is unaffected by weak conjunction or parallel composition with **term**, a property which is useful when decomposing program specifications into parallel implementations (see Section 8.2).

Lemma 19 (specification-terminates). For arbitrary strong specification command $\langle q \rangle$, we have that

$$\langle q \rangle \sqcap \mathbf{term} = \langle q \rangle \quad \text{and} \quad \langle q \rangle \parallel \mathbf{term} = \langle q \rangle .$$

Proof. Since synchronisation operators distribute over non-deterministic choices (42), the proof reduces to showing that for arbitrary tests $t_1, t_2 \in \mathcal{T}$

$$(t_1; \mathbf{term}; t_2) \sqcap \mathbf{term} = t_1; \mathbf{term}; t_2 \quad \text{and} \quad (t_1; \mathbf{term}; t_2) \parallel \mathbf{term} = t_1; \mathbf{term}; t_2 . \quad (81)$$

This property trivially holds for weak conjunction (\sqcap) since it behaves like conjunction for commands that refine **chaos** (59), and **chaos** $= \alpha^\omega \sqsubseteq \mathbf{term} \sqsubseteq t_1; \mathbf{term}; t_2$. For parallel composition we first reason that

$$\mathbf{term} \parallel \mathbf{term} = \mathbf{term} \quad (82)$$

because

$$\begin{aligned} & \mathbf{term} \parallel \mathbf{term} \\ &= (\alpha^*; \epsilon^\omega) \parallel (\alpha^*; \epsilon^\omega) \\ &= \text{using Lemma 9 and idempotence of choice } (\sqcap) \\ & \quad (\alpha \parallel \alpha)^*; (\epsilon^\omega \parallel \alpha^*; \epsilon^\omega) \\ &= \text{we have that } \alpha \parallel \alpha = \alpha \text{ from (51), and } \mathbf{skip} = \epsilon^\omega \text{ is the identity of parallel} \\ & \quad \alpha^*; \alpha^*; \epsilon^\omega \\ &= \text{using property } c^*; c^* = c^* \text{ (22)} \\ & \quad \alpha^*; \epsilon^\omega \\ &= \mathbf{term} \end{aligned}$$

and then that

$$(t_1; \mathbf{skip}; t_2) \parallel \mathbf{term} = t_1; \mathbf{term}; t_2 \quad (83)$$

which is shown by

$$\begin{aligned} & (t_1; \mathbf{skip}; t_2) \parallel \mathbf{term} \\ &= (t_1; \epsilon^\omega; t_2) \parallel (\alpha^*; \epsilon^\omega) \\ &= \text{distribute } t_1 \text{ over parallel using Lemma 4} \\ & \quad t_1; ((\epsilon^\omega; t_2) \parallel (\alpha^*; \epsilon^\omega)) \\ &= \text{using Lemma 13} \\ & \quad t_1; (\epsilon \parallel \alpha)^*; ((t_2 \parallel \alpha^*; \epsilon^\omega) \sqcap (\epsilon^\omega; t_2 \parallel \epsilon^\omega)) \\ &= \text{atomic step } \epsilon \text{ and command } \mathbf{skip} = \epsilon^\omega \text{ are the atomic-step identity and identity of parallel, respectively} \\ & \quad t_1; \alpha^*; ((t_2 \parallel \alpha^*; \epsilon^\omega) \sqcap \epsilon^\omega; t_2) \\ &= \text{distribute } t_2 \text{ over parallel using Lemma 4} \\ & \quad t_1; \alpha^*; (t_2; (\mathbf{nil} \parallel \alpha^*; \epsilon^\omega) \sqcap \epsilon^\omega; t_2) \\ &= \text{we have } (\mathbf{nil} \parallel (\alpha^*; \epsilon^\omega)) = \mathbf{nil} \text{ by unfolding iterations and applying synchronisation axioms (48) and (49)} \\ & \quad t_1; \alpha^*; (t_2 \sqcap \epsilon^\omega; t_2) \\ &= \text{by iteration unfolding, } \epsilon^\omega; t_2 \sqsubseteq t_2 \\ & \quad t_1; \alpha^*; \epsilon^\omega; t_2 \end{aligned}$$

which finally gives us

$$(t_1; \mathbf{term}; t_2) \parallel \mathbf{term} = (t_1; \mathbf{skip}; t_2) \parallel \mathbf{term} \parallel \mathbf{term} = (t_1; \mathbf{skip}; t_2) \parallel \mathbf{term} = (t_1; \mathbf{term}; t_2)$$

which concludes our proof. \square

7.2. The guarantee command

For a process to guarantee g , every atomic program (π) step made by the program must satisfy g . A guarantee puts no constraints on the environment of the process. A guarantee command, **guar** g , is defined in terms of the iteration of a

single step guarantee, (π -restrict g), defined as follows.

$$(\pi\text{-restrict } g) \hat{=} \pi(g) \sqcap \epsilon \quad (84) \quad \mathbf{guar } g \hat{=} (\pi\text{-restrict } g)^\omega \quad (85)$$

A command c with a guarantee of g is represented by $(\mathbf{guar } g) \pitchfork c$. If c only fails when its environmental assumptions are violated, $(\mathbf{guar } g) \pitchfork c$ constrains the program steps of c to satisfy g until the assumptions of c are broken. For example, $(\mathbf{guar } g) \pitchfork (\mathbf{assert } p; \langle q \rangle)$, is used to define a program that satisfies guarantee g and strong specification $\langle q \rangle$ if the initial state satisfies test p . No constraints are placed on its behaviour otherwise.

In the theory of Jones, a guarantee on a process may be strengthened.

Lemma 20 (strengthen-guarantee). If $g_1 \subseteq g_2$, then $(\pi\text{-restrict } g_2) \sqsubseteq (\pi\text{-restrict } g_1)$ and $\mathbf{guar } g_2 \sqsubseteq \mathbf{guar } g_1$.

Proof. If $g_1 \subseteq g_2$, then $\pi(g_2) \sqsubseteq \pi(g_1)$ and hence $(\pi\text{-restrict } g_2) \sqsubseteq (\pi\text{-restrict } g_1)$. Refinement of the guarantees follows by monotonicity of iteration. \square

A process that must satisfy both guarantee g_1 and guarantee g_2 , must satisfy guarantee $g_1 \cap g_2$.

Lemma 21 (combine-guarantees). For g_1, g_2 we have that

$$(\pi\text{-restrict } g_1) \pitchfork (\pi\text{-restrict } g_2) = (\pi\text{-restrict}(g_1 \cap g_2)) \quad (86)$$

$$\mathbf{guar } g_1 \pitchfork \mathbf{guar } g_2 = \mathbf{guar}(g_1 \cap g_2) \quad (87)$$

Proof. For single-step guarantees (86) we have

$$\begin{aligned} & (\pi\text{-restrict } g_1) \pitchfork (\pi\text{-restrict } g_2) \\ = & \text{ weak conjunction is conjunction for atomic steps (60), expand single-step guarantees} \\ & (\pi(g_1) \sqcap \epsilon) \sqcup (\pi(g_2) \sqcap \epsilon) \\ = & \text{ distribute conjunction over choices} \\ & (\pi(g_1) \sqcup \pi(g_2)) \sqcap (\pi(g_1) \sqcup \epsilon) \sqcap (\epsilon \sqcup \pi(g_2)) \sqcap (\epsilon \sqcup \epsilon) \\ = & \text{ program and environment steps are disjoint (65), homomorphism } \pi \\ & \pi(g_1 \cap g_2) \sqcap \epsilon \\ = & (\pi\text{-restrict}(g_1 \cap g_2)) \end{aligned}$$

The proof of (87) then follows from (86) using Corollary 16 for synchronisation operator weak conjunction (\pitchfork). \square

If we assume that commands only consist of atomic steps (which are closed under the operators), then we have that an iterated atomic step distributes over a sequence of commands, $a^\omega \otimes (c; d) = (a^\omega \otimes c); (a^\omega \otimes d)$. With this assumption, it follows that guarantees also distribute over a sequence of commands.

$$(\mathbf{guar } g) \pitchfork (c; d) = ((\mathbf{guar } g) \pitchfork c); ((\mathbf{guar } g) \pitchfork d) \quad (88)$$

7.3. The rely command

A rely condition r represents an assumption about environment steps. After an environment step that does not satisfy r , i.e. a step that refines $\epsilon(\bar{r})$ where \bar{r} is the complement of r , the process may do anything, which can be represented by it aborting. Any other step, $\epsilon(\bar{r}) = \pi \sqcap \epsilon(r)$, is allowed. The rely command is defined in terms of a single step assumption, itself defined in terms of the abstract command **assume** (36) as follows.

$$(\epsilon\text{-assm } r) \hat{=} \mathbf{assume}(\pi \sqcap \epsilon(r)) = \pi \sqcap \epsilon(r) \sqcap \epsilon(\bar{r}); \perp \quad (89)$$

$$\mathbf{rely } r \hat{=} (\epsilon\text{-assm } r)^\omega \quad (90)$$

A command c with a rely r imposed on its environment steps is given by $(\mathbf{rely } r) \pitchfork c$. For example, $(\mathbf{rely } r) \pitchfork (\mathbf{guar } g)$, guarantees to only take program steps satisfying g until the environment takes a step in which r is violated. Similarly, $(\mathbf{rely } r) \pitchfork \langle q \rangle$ terminates in a state satisfying q when it is executed in an environment that only takes steps satisfying r . Alternatively, if it is executed in an environment that does take a step that violates r , then its behaviour from that point onwards is not constrained – it may not terminate and has no obligation to satisfy q if it does.

Weakening a rely condition allows more environment interference and hence is a refinement.

Lemma 22 (weaken-rely). If $r_0 \subseteq r_1$, then $\mathbf{rely } r_0 \sqsubseteq \mathbf{rely } r_1$.

Proof. This follows from anti-monotonicity of assumptions (Lemma 2) because

$$\mathbf{assume}(\pi \sqcap \epsilon(r_0)) \sqsubseteq \mathbf{assume}(\pi \sqcap \epsilon(r_1)) \Leftarrow \pi \sqcap \epsilon(r_1) \sqsubseteq \pi \sqcap \epsilon(r_0) \Leftrightarrow r_0 \subseteq r_1$$

and monotonicity of iteration. □

Weak conjunctions of rely conditions simplify in the following way.

Lemma 23 (combine-relies). $(\mathbf{rely} \ r_1) \ \& \ (\mathbf{rely} \ r_2) = (\mathbf{rely} \ r_1 \ \cap \ r_2)$

Proof. Using Lemma (18) we have:

$$\begin{aligned}
& (\mathbf{rely} \ r_1) \ \& \ (\mathbf{rely} \ r_2) \\
= & \text{expand rely definition (90)} \\
& (\mathbf{assume}(\pi \ \sqcap \ \epsilon(r_1)))^\omega \ \& \ (\mathbf{assume}(\pi \ \sqcap \ \epsilon(r_2)))^\omega \\
= & \text{simplify weak conjunction of assumptions using Lemma 18} \\
& (\mathbf{assume}(\pi \ \sqcap \ \epsilon(r_1)) \ \sqcup \ (\pi \ \sqcap \ \epsilon(r_2)))^\omega \\
= & \text{distribute conjunction over choices} \\
& (\mathbf{assume}((\pi \ \sqcup \ \pi) \ \sqcap \ (\pi \ \sqcup \ \epsilon(r_2)) \ \sqcap \ (\epsilon(r_1) \ \sqcup \ \pi) \ \sqcap \ (\epsilon(r_1) \ \sqcup \ \epsilon(r_2))))^\omega \\
= & \text{program and environment steps are disjoint (65), homomorphism } \epsilon \\
& (\mathbf{assume}(\pi \ \sqcap \ \epsilon(r_1 \ \cap \ r_2)))^\omega \\
= & \text{fold rely definition (90)} \\
& (\mathbf{rely} \ r_1 \ \cap \ r_2)
\end{aligned}$$

□

7.4. Abstract rely/guarantee quintuple

Combining initial-state assumptions, strong specifications, guarantee and rely constructs together we get that

$$\mathbf{assert} \ p; ((\mathbf{rely} \ r) \ \& \ (\mathbf{guar} \ g) \ \& \ \langle q \rangle)$$

is a specification command that satisfies guarantee g and strong specification $\langle q \rangle$ until the environment takes a step that violates r , given that the command is executed from a state satisfying test p . Any command c is said to satisfy this specification if it is a refinement of it. This enables algebraic reasoning about rely/guarantee quintuples.

8. Interpretation for shared-memory concurrency

For shared-memory concurrency on a state-space Σ , tests are instantaneous commands, taking no atomic steps, that either have no effect on the execution of the program (behaving like \mathbf{nil}) if a given predicate $p \in \mathbb{P}(\Sigma)$ is satisfied, and are infeasible (behaving like \top) otherwise. For this model, we define the injective homomorphism τ , that introduces the Boolean sub-algebra of tests, to be a mapping from the Boolean algebra of predicates, $(\mathbb{P}(\Sigma), \cup, \cap, -, \perp, \top)$, to commands:

$$\tau : \mathbb{P}(\Sigma) \rightarrow \mathcal{C}.$$

A program or environment step is an atomic transition of the state of the system from a before state, σ , to an after state, σ' , satisfying some relation $r \in \mathbb{P}(\Sigma \times \Sigma)$, that is made by either the program or its environment, respectively. For before-states outside of the domain of r , the atomic step is infeasible, behaving like program \top . These atomic step commands can be thought of as lifting the primitive program and environment steps on pairs of states, e.g. $\pi(\sigma, \sigma')$ and $\epsilon(\sigma, \sigma')$, used in Aczel's original trace semantics, to the level of commands.

We therefore instantiate injective homomorphisms ϵ and π , that introduce the Boolean sub-algebras of environment and program steps, to both be mappings from the Boolean algebra of relations, $(\mathbb{P}(\Sigma \times \Sigma), \cup, \cap, -, \perp, \top)$, to commands:

$$\epsilon : \mathbb{P}(\Sigma \times \Sigma) \rightarrow \mathcal{A} \text{ and } \pi : \mathbb{P}(\Sigma \times \Sigma) \rightarrow \mathcal{A}$$

Under sequential composition, program and environment steps are also specified to follow the additional axioms in which $p \triangleleft r$ stands for the domain restriction of the relation r to the set p and $r \triangleright p$ stands for the range restriction of r to p .

$$\tau(p); \pi(r) = \pi(p \triangleleft r) \tag{91} \qquad \tau(p); \epsilon(r) = \epsilon(p \triangleleft r) \tag{93}$$

$$\pi(r \triangleright p); \tau(p) = \pi(r \triangleright p) \tag{92} \qquad \epsilon(r \triangleright p); \tau(p) = \epsilon(r \triangleright p) \tag{94}$$

They encode the fact that either a program or environment step, $\pi(r)$ or $\epsilon(r)$, is infeasible for states outside of the

domain of its relation r , and establishes a state satisfying the range restriction of r . The above axioms ensure the final state of one step matches the initial state of the next step.

8.1. Interleaving parallel

We define parallel composition as the interleaving of steps, in which environment steps and program steps synchronise using the following axioms, that follow Aczel's original trace-based formalisation:

$$\pi(r_1) \parallel \epsilon(r_2) = \pi(r_1 \cap r_2) \tag{95}$$

$$\epsilon(r_1) \parallel \epsilon(r_2) = \epsilon(r_1 \cap r_2) \tag{96}$$

$$\pi(r_1) \parallel \pi(r_2) = \top \tag{97}$$

The first axiom matches a program step with an environment step, possibly narrowing the relation to conform to both relations. If no step satisfies r_1 and r_2 then the parallel composition gives \top . The second axiom matches environment steps of each process to become an environment step of their composition. The final axiom prevents synchronisation on program steps. Using these synchronisation axioms for parallel we have, for example, that for relations g_1, g_2, r_1 and r_2

$$(\pi(g_1) \sqcap \epsilon(r_1)) \parallel (\pi(g_2) \sqcap \epsilon(r_2)) = \pi((g_1 \cap r_2) \cup (r_1 \cap g_2)) \sqcap \epsilon(r_1 \cap r_2)$$

We can also evaluate the parallel composition of relies and guarantees. The following lemma that shows that a rely of r allows parallel behaviour for which every step guarantees r .

Lemma 24 (rely-guar).

$$\mathbf{rely} \ r = (\mathbf{rely} \ r) \parallel (\mathbf{guar} \ r)$$

Proof. The detailed proof expands the definitions of **rely** r and **guar** r and simplifies.

$$\begin{aligned} & (\mathbf{rely} \ r) \parallel (\mathbf{guar} \ r) \\ = & \text{expand rely and guarantee definitions using (90) and (85)} \\ & (\pi \sqcap \epsilon(r) \sqcap \epsilon(\bar{r}); \perp)^\omega \parallel (\pi(r) \sqcap \epsilon)^\omega \\ = & \text{by Lemma 17} \\ & ((\pi \sqcap \epsilon(r)) \parallel (\pi(r) \sqcap \epsilon))^\omega; (\mathbf{nil} \sqcap (\epsilon(\bar{r}) \parallel (\pi(r) \sqcap \epsilon)); \perp) \\ = & \text{applying program and environment step synchronisation axioms (95) and (96)} \\ & (\pi \sqcap \epsilon(r))^\omega; (\mathbf{nil} \sqcap \epsilon(\bar{r}); \perp) \\ = & \text{by Lemma 3 and folding the rely definition (90)} \\ & \mathbf{rely} \ r \end{aligned}$$

□

8.2. Parallel introduction law

The objective of this section is to give a refinement law for taking a command of the form $(\mathbf{rely} \ r) \sqcap (c \sqcap d)$ and refining it into a parallel implementation in which the two parallel branches perform commands c and d , respectively. This is achieved with the help of relies and guarantees. The proof requires some constraints on the commands c and d for which this is possible, namely they need to terminate (98) and also be unaffected when put in parallel with an arbitrary terminating command (99):

$$c \sqcap \mathbf{term} = c \tag{98} \quad c \parallel \mathbf{term} = c \tag{99}$$

To verify the parallel introduction law below, we use the following lemma, that introduces a parallel guarantee that terminates. The proof makes use of the interchange axiom between weak conjunction and parallel (57).

Lemma 25 (parallel-guarantee). For any command c satisfying (99),

$$(\mathbf{rely} \ r) \sqcap c \sqsubseteq ((\mathbf{rely} \ r \cup r1) \sqcap c) \parallel ((\mathbf{guar} \ r \cup r1) \sqcap \mathbf{term})$$

9. Interpretation for event-based communication in process algebras

In the process algebra domain, processes communicate via a set of synchronisation events, *Event*, in contrast to processes in a shared memory concurrency model which interleave operations on (sets of pairs of) states. We may build a core process algebra from the basic operators, with the addition of a set of atomic program steps $\pi(E)$ that model a process engaging in one of the abstract events $e \in E$, for $E \subseteq \text{Event}$. We assume the set *Event* includes at least the silent event ι . For ease of presentation we let $\pi(e)$ abbreviate $\pi(\{e\})$, and typically define our axioms on the singleton event-set case; the definitions may be straightforwardly lifted to sets of events.

Rather than the interleaving interpretation of parallel in Sect. 8, in the process algebra domain program steps can be combined. We assume axioms (95) and (96), but replace (97) with language-specific definitions, as shown below. In a sense, the fundamental difference between the process algebras CCS and CSP, and between process algebras and the shared-memory domain, is in the interpretation of the parallel synchronisation of program steps (of course, the domain type of the steps themselves is also fundamental).

We extend the core algebra to give two types of abstract interprocess communication: CCS-style binary synchronisation and CSP-style multi-way synchronisation. Note that to fully encode CSP in our algebra we would need to model *external choice*, which behaves similarly to CCS's choice operator (our non-deterministic choice operator corresponds to CSP's *internal choice* operator). Neither internal nor external choice satisfies conjunctivity of sequential composition (10). The full encoding of these process algebras in our synchronous algebra is ongoing work. See [14] for a discussion on the relationship between the process algebra SCCS and our algebra.

9.1. Foundations

To simplify the discussion we make the following definition.

$$\langle e \rangle \hat{=} \epsilon^\omega; \pi(e); \epsilon^\omega \quad (101)$$

This models a process engaging in event e , and is the building block of event-based languages: we interpret both prefixing in CCS ($e.c$) and CSP ($e \rightarrow c$) as $\langle e \rangle; c$. The event is preceded and succeeded by steps of the environment, similar to *asynchronising* in Synchronous CCS [24] (discussed in [23]), allowing the potential for interleaving.

The following lemma gives three possibilities for parallel actions: synchronisation or interleaving (the latter in one of two ways). This is similar to a fundamental axiom of communication from ACP [5], which defines parallel composition in terms of a *left-merge* operator.

Lemma 28 (atomic-interleaving). If $\pi(e) \parallel \pi(f) = \pi(g)$, then $\langle e \rangle \parallel \langle f \rangle = \langle g \rangle \sqcap \langle e \rangle; \langle f \rangle \sqcap \langle f \rangle; \langle e \rangle$.

This is an instance of the following more general lemma.

Lemma 29 (prefixed-interleaving). If $\pi(e) \parallel \pi(f) = \pi(g)$, and assuming that c satisfies $\epsilon^\omega; c = c$ and $\epsilon^\omega; d = d$,

$$\langle e \rangle; c \parallel \langle f \rangle; d = \langle g \rangle; (c \parallel d) \sqcap \langle e \rangle; (c \parallel \langle f \rangle; d) \sqcap \langle f \rangle; (\langle e \rangle; c \parallel d).$$

Proof.

$$\begin{aligned} & \langle e \rangle; c \parallel \langle f \rangle; d \\ = & \text{definition (101)} \\ & (\epsilon^\omega; \pi(e); \epsilon^\omega; c) \parallel (\epsilon^\omega; \pi(f); \epsilon^\omega; d) \\ = & \text{Corollary 15, and } \epsilon \parallel \epsilon = \epsilon \\ & \epsilon^\omega; (((\pi(e); \epsilon^\omega; c) \parallel (\pi(f); \epsilon^\omega; d)) \sqcap ((\pi(e); \epsilon^\omega; c) \parallel (\epsilon; \epsilon^\omega; \pi(f); \epsilon^\omega; d))) \sqcap ((\epsilon; \epsilon^\omega; \pi(e); \epsilon^\omega; c) \parallel (\pi(f); \epsilon^\omega; d))) \\ = & \text{Synchronise initial steps, from assumption and (61)} \\ & \epsilon^\omega; ((\pi(g); (\epsilon^\omega; c \parallel \epsilon^\omega; d)) \sqcap (\pi(e); ((\epsilon^\omega; c) \parallel (\epsilon^\omega; \pi(f); \epsilon^\omega; d)))) \sqcap (\pi(f); ((\epsilon^\omega; \pi(e); \epsilon^\omega; c) \parallel (\epsilon^\omega; d)))) \\ = & \text{Simplify using definition (101) and the assumptions } \epsilon^\omega; c = c \text{ and } \epsilon^\omega; d = d \\ & \epsilon^\omega; (\pi(g); (c \parallel d) \sqcap (\pi(e); (c \parallel \langle f \rangle; d)) \sqcap (\pi(f); (\langle e \rangle; c \parallel d))) \\ = & \text{if } \epsilon^\omega; c = c \text{ and } \epsilon^\omega; d = d \text{ then } c \parallel d = \epsilon^\omega; (c \parallel d) \text{ by Lemma 14, noting that } \langle e \rangle; c = \epsilon^\omega; \langle e \rangle; c \\ & \epsilon^\omega; (\pi(g); \epsilon^\omega; (c \parallel d) \sqcap (\pi(e); \epsilon^\omega; (c \parallel \langle f \rangle; d)) \sqcap (\pi(f); \epsilon^\omega; (\langle e \rangle; c \parallel d))) \\ = & \text{distribute initial } \epsilon^\omega; \text{definition (101)} \\ & \langle g \rangle; (c \parallel d) \sqcap \langle e \rangle; (c \parallel \langle f \rangle; d) \sqcap \langle f \rangle; (\langle e \rangle; c \parallel d) \end{aligned}$$

□

We introduce a *renaming* operator, as in CCS. The command $c[\phi]$, where ϕ is a total function on atomic actions, is

defined by the following axioms.

$$\mathbf{nil}[\phi] = \mathbf{nil} \quad (102)$$

$$(c_1 \sqcap c_2)[\phi] = c_1[\phi] \sqcap c_2[\phi] \quad (103)$$

$$(c_1; c_2)[\phi] = c_1[\phi]; c_2[\phi] \quad (104)$$

$$a[\phi] = \phi(a) \quad (105)$$

9.2. Communication in CCS

In CCS each non-silent event e has a complementary event \bar{e} . (We use \bar{e} rather than Milner's \bar{e} to avoid confusion with set complement.) A program step $\pi(e)$ and its corresponding complementary program step $\pi(\bar{e})$ may synchronise to become a silent step.

$$\pi(e) \parallel \pi(\bar{e}) = \pi(\iota) \quad (106)$$

All other combinations of program steps result in \top .

Using an instantiation of Lemma 28, from (106) we may derive

$$\langle e \rangle \parallel \langle \bar{e} \rangle = \langle \iota \rangle \sqcap \langle e \rangle; \langle \bar{e} \rangle \sqcap \langle \bar{e} \rangle; \langle e \rangle. \quad (107)$$

As such, events may synchronise *or* interleave. In CCS the restriction operator $c \setminus E$, where E is a set of *Events*, may be employed to exclude the final two interleaving options and hence force processes to synchronise and generate a silent step. Restriction may be defined straightforwardly using weak conjunction (\mathbb{m}) to forbid events in E , along with the concept of *guarantees* from Sect. 6.

$$c \setminus E \hat{=} c \mathbb{m} (\mathbf{guar} \bar{E}) \quad (108)$$

This definition restricts c to just behaviours outside of E .

The behaviour of an atomic event inside a restriction is given by the following lemmas, which follow straightforwardly from (85) and (101).

Lemma 30 (atomic-restriction). If $e \in E$ and $f \notin E$,

$$\langle e \rangle \mathbb{m} \mathbf{guar} E = \langle e \rangle \quad \langle f \rangle \mathbb{m} \mathbf{guar} E = \epsilon^\omega; \top$$

The command $\epsilon^\omega; \top$ allows the environment to make some number of steps before becoming infeasible. As such for atomic actions it behaves similarly to \top for general commands.

$$\langle e \rangle \sqcap \epsilon^\omega; \top = \langle e \rangle \quad (109)$$

We may now show that a synchronisation within the corresponding restriction results in a silent step.

Lemma 31 (CCS-synchronise).

$$(\langle e \rangle \parallel \langle \bar{e} \rangle) \setminus \{e, \bar{e}\} = \langle \iota \rangle$$

Proof.

$$\begin{aligned} & (\langle e \rangle \parallel \langle \bar{e} \rangle) \setminus \{e, \bar{e}\} \\ = & \text{from (107)} \\ & (\langle \iota \rangle \sqcap \langle e \rangle; \langle \bar{e} \rangle \sqcap \langle \bar{e} \rangle; \langle e \rangle) \setminus \{e, \bar{e}\} \\ = & \text{definition (108)} \\ & (\langle \iota \rangle \sqcap \langle e \rangle; \langle \bar{e} \rangle \sqcap \langle \bar{e} \rangle; \langle e \rangle) \mathbb{m} \mathbf{guar} \overline{\{e, \bar{e}\}} \\ = & \text{Distribute weak conjunction over choice (42)} \\ & \langle \iota \rangle \mathbb{m} (\mathbf{guar} \overline{\{e, \bar{e}\}}) \sqcap (\langle e \rangle; \langle \bar{e} \rangle) \mathbb{m} (\mathbf{guar} \overline{\{e, \bar{e}\}}) \sqcap (\langle \bar{e} \rangle; \langle e \rangle) \mathbb{m} (\mathbf{guar} \overline{\{e, \bar{e}\}}) \\ = & \text{Distribute guarantee over sequential (88) } \times 2; \text{ Lemma 30 } \times 3; \text{ simplify} \\ & \langle \iota \rangle \sqcap \epsilon^\omega; \top \sqcap \epsilon^\omega; \top \\ = & \text{from (109)} \\ & \langle \iota \rangle \end{aligned}$$

□

Lemma 29 and Lemma 31 are the foundation for proving communication behaviours of CCS, such as the following.

$$(e.c \parallel \bar{e}.d) \setminus \{e, \bar{e}\} = \iota.(c \parallel d) \setminus \{e, \bar{e}\}$$

9.3. Communication in CSP

CSP-style multi-way communication allows any number of processes (not just two) to synchronise on an event. The key axiom in the interpretation of parallel is, again, in the behaviour of two program steps.² We define two program steps on event e to merge into a single “synchronised” event, \hat{e} . The set of events is extended with new events \hat{e} for every event e , and introduce a step $\epsilon(e)$, where $\epsilon \sqsubseteq \epsilon(e)$ for all $e \in \text{Event}$.

$$\pi(e) \parallel \pi(e) = \pi(\hat{e}) \quad \text{for } e \neq \iota \quad (110)$$

The synchronisation tag marks the event as having been the result of a synchronisation, but because further synchronisation is possible, it is not renamed to a silent step as in CCS. The tag distinguishes synchronised events from unsynchronised (interleaved) events.

Using an instantiation of Lemma 28, from (110) we may derive (cf. (107))

$$\langle e \rangle \parallel \langle e \rangle = \langle \hat{e} \rangle \sqcap \langle e \rangle; \langle e \rangle. \quad (111)$$

Now we define CSP’s parallel operator parameterised with alphabet E to allow synchronisation on events in E only, while only events not in E may be interleaved. The synchronisation tag is stripped using the renaming $\hat{\phi}_E$.

$$c_1 \parallel_E c_2 \hat{=} ((c_1 \parallel c_2) \pitchfork (\mathbf{guar} \hat{E} \cup \bar{E}))[\hat{\phi}_E] \quad (112)$$

$$\text{where } \hat{\phi}_E(\pi(\hat{e})) = \pi(e) \quad \text{if } e \in E \quad (113)$$

$$\hat{\phi}_E(a) = a \quad \text{for all other steps} \quad (114)$$

Hence CSP synchronisation on alphabet E is defined in terms of basic parallel, with a guarantee (similar to a CCS restriction) that only steps in E may synchronise and only steps in the complement of E may interleave, inside a renaming. The notation \hat{E} is the set of events obtained by applying the synchronisation tag to elements in E , i.e., $\{\hat{e} \mid e \in E\}$. Events in E that have synchronised are renamed back to normal $\pi(e)$ steps by the renaming $\hat{\phi}_E$. Thus, the environment cannot determine whether an event is the result of synchronisation or interleaving.³

Some of the basic communication properties from CSP follow from the above definitions and the atomic algebra.

Lemma 32 (atomic-sync).

$$\langle e \rangle \parallel_{\{e\}} \langle e \rangle = \langle e \rangle$$

Proof.

$$\begin{aligned} & \langle e \rangle \parallel_{\{e\}} \langle e \rangle \\ = & \text{definition (112)} \\ & (((\langle e \rangle \parallel \langle e \rangle) \pitchfork (\mathbf{guar} \{\hat{e}\} \cup \bar{\{e\}}))[\hat{\phi}_{\{e\}}]) \\ = & \text{from (111)} \\ & (((\hat{e}) \sqcap \langle e \rangle; \langle e \rangle) \pitchfork (\mathbf{guar} \{\hat{e}\} \cup \bar{\{e\}}))[\hat{\phi}_{\{e\}}] \\ = & \text{distribute weak conjunction and renaming over choice (42); (103)} \\ & (\langle \hat{e} \rangle \pitchfork (\mathbf{guar} \{\hat{e}\} \cup \bar{\{e\}}))[\hat{\phi}_{\{e\}}] \sqcap (\langle e \rangle; \langle e \rangle \pitchfork (\mathbf{guar} \{\hat{e}\} \cup \bar{\{e\}}))[\hat{\phi}_{\{e\}}] \\ = & \text{Lemma 30} \times 2 \\ & \langle \hat{e} \rangle[\hat{\phi}_{\{e\}}] \sqcap (\epsilon^\omega; \top)[\hat{\phi}_{\{e\}}] \end{aligned}$$

² The encoding given in [14] allowed synchronisation between two processes on the alphabet E , but prevented a third process (the environment) from engaging in $e \in E$, because environment steps were removed from the traces.

³ For completeness, note that we could define CCS’s parallel composition using a similar structure to that above for CSP, where instead of (106) we define $\pi(e) \parallel \pi(\bar{e}) = \pi(\hat{e})$, and hence make the treatment closer to (110). Such a definition may allow closer comparison of the two algebras; in this paper we instead adapt at the more fundamental level of the definition of parallel composition.

= from (113) and (114); (109); simplify
 $\langle e \rangle$

□

Recalling that CSP's prefixing operator $e \rightarrow c$ is defined as $\langle e \rangle; c$, Lemma 29 and Lemma 32 form the basis for proving communication axioms of CSP such as the following.

$$(e \rightarrow c_1 \parallel_{\{e\}} e \rightarrow c_2) = e \rightarrow (c_1 \parallel_{\{e\}} c_2) \quad (115)$$

$$(e \rightarrow c_1 \parallel_{\{e\}} f \rightarrow c_2) = f \rightarrow ((e \rightarrow c_1) \parallel_{\{e\}} c_2) \quad (116)$$

The *hiding* operator of CSP, c/E , affects program steps, renaming events in E to silent events. This operator may be encoded straightforwardly as a renaming.

$$c/E \hat{=} c[\mathcal{H}_E] \quad \text{where} \quad \begin{array}{ll} \mathcal{H}_E(\pi(e)) = \pi(\iota) & \text{if } e \in E \\ \mathcal{H}_E(a) = a & \text{for all other steps} \end{array} \quad (117)$$

Hence, following from (115),

$$(e \rightarrow c_1 \parallel_{\{e\}} e \rightarrow c_2)/\{e\} = \iota \rightarrow (c_1 \parallel_{\{e\}} c_2)/\{e\}$$

9.4. Combining states and events

Specification languages such as Circus [34], PAT [32] and CSP_σ [8] combine CSP and state. Below we define a simple unified language as an interpretation of our algebra, which we base on combining elements from the earlier definitions, arbitrarily choosing CSP-style synchronisation rather than CCS-style.

The instantiation of the Boolean algebra for steps is in this case is a set of triples, $\mathbb{P}(\Sigma \times \text{Event} \times \Sigma)$. Using this instantiation we may describe atomic steps in which the event can depend on the initial state, and the final state can depend on both the initial state and the event. Synchronisation on program steps may be straightforwardly defined as below, where T_1 and T_2 are sets of state-event-state triples.

$$\pi(T_1) \parallel \pi(T_2) = \pi(\{(\sigma, \hat{e}, \sigma') \mid (\sigma, e, \sigma') \in T_1 \cap T_2\}) \quad (118)$$

This definition allows identical steps to be conjoined if they synchronise on their events, and otherwise steps must be interleaved. Renamings and restrictions may be defined in this unified language to affect only the event part of the steps.

If we set the event part to $\text{Event} = \{\iota\}$ then the interpretation (118) collapses to that in Sect. 7, while choosing the state space to be the unit type (with just one element) collapses the definitions to the interpretation in Sect. 9.3.

10. Related Work

Our Synchronous Refinement Algebra (SRA) compares to Concurrent Kleene Algebra (CKA) [16] in that both extend a sequential algebra to allow for reasoning about parallel composition. Synchronous Kleene Algebra (SKA) [30] is also based on Kleene Algebra but, unlike CKA, it adds tests and a synchronous parallel operator based on that of Milner's SCCS [24]. Both CKA and SKA are based on Kleene algebra and hence only support finite iteration and partial correctness. In comparison, our SRA supports general fixed points and hence recursion and both finite and infinite iteration. The richer structure of DRA contains a sub-lattice of commands below **chaos** (see Fig. 1) that includes assertions (and hence preconditions in the relational interpretation) and assumptions (and hence rely commands), and allows the weak conjunction operator, \mathbb{m} , to be distinguished from strong conjunction, \sqcap . All these constructs are needed to faithfully represent rely/guarantee theory.

CKA is also applied to rely/guarantee rules [16] but they define a Jones-style 5-tuple (as in Section 7.4) in terms of two separate refinement conditions, whereas in our approach the existing (single) refinement relation can be used directly. In Jones' theory, a guarantee has to be satisfied only from initial states satisfying the precondition of the program, and further, if its rely condition is broken by the environment, the program can abort. However, in the CKA framework, the guarantee has to always be maintained by the program, irrespective of what the initial state is and

how the environment is behaving; that over restricts the set of possible implementations. Our theory faithfully reflects Jones' approach.

Our algebra of atomic steps makes use of a synchronous parallel operator similar to that in SCCS [23] and in SKA [30] but it differs in two main ways:

- instead of atomic actions being separate from commands (as in SCCS and SKA), they are treated as a sub-algebra of commands within SRA and
- while both SCCS and SKA explicitly define composition of atomic steps (their \times operator), our parallel operator is used directly on atomic steps (because they are commands) and its definition on atomic steps is left open to allow multiple interpretations.

Prensa Nieto has encoded rely-guarantee theory in Isabelle/HOL [29]. Her language disallowed nested parallelism but allowed a multi-way parallel at the top level only, while here nested parallelism is allowed and hence a multi-way parallel can be defined in terms of a binary parallel. Her work made use of a state-based operational semantics and showed the soundness of Hoare-style rely-guarantee quintuple rules with respect to the semantics directly. In comparison, our approach is axiomatically based and to show soundness with respect to a semantics, we need show the axioms hold in the semantic model [9]. Our approach follows the more general refinement calculus style, rather than quintuples, and hence it is easier to develop new laws. It is also more abstract than that of Prensa Nieto and hence more widely applicable.

11. Conclusion

The main aim of this research is to provide mechanised support for the verification/derivation of concurrent programs. The approach taken is to develop a set of algebraic theories, where we reason about programming operators at an abstract level and then instantiate the theories, perhaps multiple times, to build our overall theory. Just as mathematics has benefited from utilising abstract algebras, such as semi-groups, lattices and boolean algebras, we also benefit from using these and more programming-specific algebras. While our initial aim was to provide a theory to support relational rely-guarantee concurrency, by focusing on the abstract properties of operators and careful structuring of theories – an iterative process based on feedback from developing the theories – we have come up with a collection of abstract theories, most of which are applicable to other contexts.

The basis of our theory is a Demonic Refinement Algebra (DRA) similar to that of von Wright [33]. That gives us a simple program algebra over a complete lattice of commands \mathcal{C} with sequential composition. Unlike von Wright, we directly use fixed point operators to define iteration operators, rather than explicitly axiomatising the iteration operators themselves; that allows us to make more general use of recursion. To the DRA we add a boolean sub-algebra of tests, \mathcal{T} , in a manner similar to that of Kozen's Kleene Algebra with Tests (KAT) [22], and a boolean sub-algebra of atomic steps, \mathcal{A} , following our approach in [14].

An innovation in the current paper is to axiomatise an abstract synchronisation operator, \otimes , and prove a set of "synchronisation" laws in the abstract theory. The abstract theory is then instantiated for parallel composition (\parallel), weak conjunction (\mathbb{m}) and the lattice supremum operator (\sqcup), thus immediately giving a set of synchronisation laws for each of these operators without requiring further proof.

The atomic step commands, \mathcal{A} , are initially treated without any internal structure other than that imposed by the Boolean algebra and the existence of an identity for the synchronisation operators. Unlike in [14] which went directly to a relational interpretation, we then give \mathcal{A} more structure by identifying a subset of program steps \mathcal{P} and another subset of matching environment steps \mathcal{E} . All atomic steps can be constructed as a non-deterministic choice of program and environment steps. That structure is sufficient for us to define abstract rely and guarantee commands, as well as an abstract version of Morgan's specification command [25]. We can then derive abstract versions of rely-guarantee concurrency laws, including an abstract version of the parallel introduction law (Law 26), one of the core laws in the rely-guarantee approach to concurrency. Law 26 is a generalisation of the parallel introduction law of Jones in the sense that it applies for any terminating commands satisfying $c \parallel \mathbf{term} = c$. The version for a relation postcondition specification (100) corresponds to that of Jones but other instances are possible, for example, a specification command using more expressive constraints on the behaviour during execution, such as via the use of possible values notation [21]. Exploration of such alternative specifications is a goal of future work.

Because our theory follows the refinement calculus approach of treating precondition assertions, specifications, relies and guarantees as commands, in comparison with using Hoare-style quintuples, it is easier to develop a range of useful lemmas for each construct in isolation as well as for combinations of them. For example, Lemma 26 for introducing parallelism builds on the simpler Lemmas 22, 24 and 25 involving properties of relies and guarantees. It

is also simpler to develop new laws, for example, it is straightforward to develop a version of the parallel introduction lemma that includes preconditions.

Only at the final stage do we instantiate our test and atomic steps theories. Firstly, for shared-memory concurrency, where tests form a boolean algebra over sets of states, and program and environment steps are boolean algebras over sets of pairs of states, i.e. relations. Secondly, for process algebras tests are instantiated with the booleans, \mathbb{B} , and program and environment atomic steps are instantiated as boolean algebras over sets of events. All the laws derived in the abstract theory are applicable to both instantiations. For the process algebra instantiation, by choosing appropriate sets of events and defining how program steps combine via the parallel operator one can encode different process algebras such as CCS/SCCS and CSP. One discovery was that the restriction operator in CSS corresponds to a guarantee (with a set complement because it excludes events).

The theory has been encoded in Isabelle/HOL [28]. The Isabelle encoding is extensive, comprising of 26 theory files with over 350 proven lemmas, and has evolved in unison with the development of our theory. It makes extensive use of Isabelle/HOL locales to axiomatise the operators and structure the theories.

Overall, we think the algebraic approach has succeeded admirably in our quest to mechanise rely-guarantee concurrency, but more than that it has surprised us with its ability to unify what are traditionally treated as separate approaches to concurrency.

Acknowledgements. This work has benefited from input from Cliff Jones, Kim Solin, and Andrius Velykis.

References

- [1] P. H. G. Aczel. On an inference rule for parallel composition, 1983. Private communication to Cliff Jones <http://homepages.cs.ncl.ac.uk/cliff.jones/publications/MSS/PHGA-traces.pdf>.
- [2] A. Armstrong, V.B.F. Gomes, and G. Struth. Algebras for program correctness in Isabelle/HOL. In P. Höfner et al., editor, *Int. Conf. on Relational and Algebraic Methods in Computer Science (RAMiCS 2014)*, volume 8428 of *Lecture Notes in Computer Science*, pages 49–64. Springer, 2014.
- [3] R.-J. R. Back. On correct refinement of programs. *Journal of Computer and System Sciences*, 23(1):49–68, February 1981.
- [4] R.-J. R. Back and J. von Wright. *Refinement Calculus: A Systematic Introduction*. Springer, New York, 1998.
- [5] J.A. Bergstra and J.W. Klop. Process algebra for synchronous communication. *Information and Control*, 60(1-3):109–137, January-March 1984.
- [6] A. Blikle. Specified programming. In E. K. Blum, M. Paul, and S. Takasu, editors, *Mathematical Studies of Information Processing*, volume 75 of *Lecture Notes in Computer Science*, pages 228–251. Springer, 1978.
- [7] J. W. Coleman and C. B. Jones. A structural proof of the soundness of rely/guarantee rules. *Journal of Logic and Computation*, 17(4):807–841, 2007.
- [8] R. J. Colvin and I. J. Hayes. CSP with hierarchical state. In M. Leuschel and H. Wehrheim, editors, *Integrated Formal Methods (IFM 2009)*, volume 5423 of *LNCS*, pages 118–135. Springer, 2009.
- [9] R. J. Colvin, I. J. Hayes, and L. A. Meinicke. Designing a semantic model for a wide-spectrum language with concurrency. *Formal Aspects of Computing*, 29:853–875, 2016.
- [10] W.-P. de Roever. *Concurrency Verification: Introduction to Compositional and Noncompositional Methods*. Cambridge University Press, 2001.
- [11] P.H.B. Gardiner and C. Morgan. A single complete rule for data refinement. *Formal Aspects of Computing*, 5:367–382, 1993.
- [12] I. J. Hayes. Generalised rely-guarantee concurrency: An algebraic foundation. *Formal Aspects of Computing*, 28(6):1057–1078, November 2016.
- [13] I. J. Hayes, C. B. Jones, and R. J. Colvin. Laws and semantics for rely-guarantee refinement. Technical Report CS-TR-1425, Newcastle University, July 2014.
- [14] I.J. Hayes, R.J. Colvin, L.A. Meinicke, K. Winter, and A. Velykis. An algebra of synchronous atomic steps. In J. Fitzgerald, C. Heitmeyer, S. Gnesi, and A. Philippou, editors, *FM 2016: Formal Methods: 21st International Symposium, Proceedings*, volume 9995 of *LNCS*, pages 352–369, Cham, November 2016. Springer International Publishing.
- [15] C. A. R. Hoare. *Communicating Sequential Processes*. Prentice-Hall, 1985.
- [16] C. A. R. Hoare, B. Möller, G. Struth, and I. Wehrman. Concurrent Kleene Algebra and its foundations. *J. Log. Algebr. Program.*, 80(6):266–296, 2011.
- [17] C. B. Jones. *Development Methods for Computer Programs including a Notion of Interference*. PhD thesis, Oxford University, June 1981. Available as: Oxford University Computing Laboratory (now Computer Science) Technical Monograph PRG-25.
- [18] C. B. Jones. Specification and design of (parallel) programs. In *Proceedings of IFIP’83*, pages 321–332. North-Holland, 1983.
- [19] C. B. Jones. Tentative steps toward a development method for interfering programs. *ACM ToPLaS*, 5(4):596–619, 1983.
- [20] C. B. Jones, I. J. Hayes, and R. J. Colvin. Balancing expressiveness in formal approaches to concurrency. *Formal Aspects of Computing*, 27(3):475–497, May 2015.
- [21] Cliff B. Jones and Ian J. Hayes. Possible values: Exploring a concept for concurrency. *Journal of Logical and Algebraic Methods in Programming*, 85(5, Part 2):972–984, August 2016. Articles dedicated to Prof. J. N. Oliveira on the occasion of his 60th birthday.
- [22] D. Kozen. Kleene algebra with tests. *ACM Trans. Prog. Lang. and Sys.*, 19(3):427–443, May 1997.
- [23] A.J.R.G. Milner. *Communication and Concurrency*. Prentice-Hall, 1989.
- [24] R. Milner. Calculi for synchrony and asynchrony. *Theoretical Computer Science*, 25(3):267–310, 1983.

- [25] C. C. Morgan. The specification statement. *ACM Trans. Prog. Lang. and Sys.*, 10(3):403–419, July 1988.
- [26] C. C. Morgan. *Programming from Specifications*. Prentice Hall, second edition, 1994.
- [27] J. M. Morris. A theoretical basis for stepwise refinement and the programming calculus. *Science of Computer Programming*, 9(3):287–306, 1987.
- [28] T. Nipkow, L. C. Paulson, and M. Wenzel. *Isabelle/HOL: A Proof Assistant for Higher-Order Logic*, volume 2283 of *LNCS*. Springer, 2002.
- [29] Leonor Prensa Nieto. The rely-guarantee method in Isabelle/HOL. In *Proceedings of ESOP 2003*, volume 2618 of *LNCS*. Springer-Verlag, 2003.
- [30] C. Prisacariu. Synchronous Kleene Algebra. *Journal of Logic and Algebraic Programming*, 79(7):608–635, 2010.
- [31] K. Solin. *Abstract Algebra of Program Refinement*. PhD thesis, Turku Centre for Computer Science, 2007.
- [32] Jun Sun, Yang Liu, and Jin Song Dong. Model checking csp revisited: Introducing a process analysis toolkit. In Tiziana Margaria and Bernhard Steffen, editors, *Leveraging Applications of Formal Methods, Verification and Validation: Third International Symposium, ISoLA 2008, Porto Sani, Greece, October 13-15, 2008. Proceedings*, pages 307–322, Berlin, Heidelberg, 2008. Springer Berlin Heidelberg.
- [33] J. von Wright. Towards a refinement algebra. *Science of Computer Programming*, 51:23–45, 2004.
- [34] J. C. P. Woodcock and A. L. C. Cavalcanti. The semantics of *circus*. In D. Bert, J. P. Bowen, M. C. Henson, and K. Robinson, editors, *ZB 2002: Formal Specification and Development in Z and B*, volume 2272 of *Lecture Notes in Computer Science*, pages 184–203. Springer-Verlag, 2002.

A. Proofs for inspection

For all lemmas we assume a and b to be atomic steps, c and d arbitrary commands, and t and t' tests.

Lemma 9 (atomic-iteration-finite)

$$a^*;c \otimes b^*;d = (a \otimes b)^*;((c \otimes b^*;d) \sqcap (a^*;c \otimes d))$$

Proof. The proof relies on (24), i.e., $a^* = \prod_{i \in \mathbb{N}} a^i$. The notation $\prod_{i,j \in \mathbb{N}}^{i \leq j} c_{ij}$ stands for the choice of c_{ij} over all natural numbers i and j , such that $i \leq j$.

$$\begin{aligned} a^*;c \otimes b^*;d &= \left(\prod_{i \in \mathbb{N}} a^i; c \right) \otimes \left(\prod_{j \in \mathbb{N}} b^j; d \right) \\ &= \prod_{i,j \in \mathbb{N}} (a^i; c \otimes b^j; d) \\ &= \prod_{i,j \in \mathbb{N}}^{i \leq j} (a^i; c \otimes b^j; b^{j-i}; d) \sqcap \prod_{i,j \in \mathbb{N}}^{i \geq j} (a^i; a^{i-j}; c \otimes b^j; d) \\ &= \prod_{i,k \in \mathbb{N}} (a \otimes b)^i; (c \otimes b^k; d) \sqcap \prod_{j,k \in \mathbb{N}} (a \otimes b)^j; (a^k; c \otimes d) \\ &= \left(\prod_{i \in \mathbb{N}} (a \otimes b)^i \right); \left(\prod_{k \in \mathbb{N}} (c \otimes b^k; d) \sqcap \left(\prod_{j \in \mathbb{N}} (a \otimes b)^j \right); \prod_{k \in \mathbb{N}} (a^k; c \otimes d) \right) \\ &= (a \otimes b)^*; \left((c \otimes \prod_{k \in \mathbb{N}} b^k; d) \sqcap \left(\prod_{k \in \mathbb{N}} a^k; c \otimes d \right) \right) \\ &= (a \otimes b)^*; ((c \otimes b^*; d) \sqcap (a^*; c \otimes d)) \end{aligned}$$

□

Lemma 12 (atomic-iteration-finite-infinite)

$$a^*;c \otimes b^\infty = (a \otimes b)^*; (c \otimes b^\infty)$$

Proof. Note that, by unfolding law (17), $b^\infty = b^i; b^\infty$ for any $i \in \mathbb{N}$. The proof also uses Lemma 8.

$$\begin{aligned} a^*;c \otimes b^\infty &= \left(\prod_{i \in \mathbb{N}} a^i; c \right) \otimes b^\infty \\ &= \prod_{i \in \mathbb{N}} (a^i; c \otimes b^\infty) \\ &= \prod_{i \in \mathbb{N}} (a^i; c \otimes b^i; b^\infty) \\ &= \prod_{i \in \mathbb{N}} (a \otimes b)^i; (c \otimes b^\infty) \\ &= (a \otimes b)^*; (c \otimes b^\infty) \end{aligned}$$

□

Lemma 14 (atomic-iteration-either)

$$a^\omega; c \otimes b^\omega; d = (a \otimes b)^\omega; ((c \otimes b^\omega; d) \sqcap (a^\omega; c \otimes d))$$

Proof. Note that, by (23) and (18), $a^\omega = a^* \sqcap a^\infty$ and $a^\infty; c = a^\infty$. The proof uses also (25), and Lemmas 9 and 12, and (47) for the synchronisation operator, i.e. $a^\infty \otimes b^\infty = (a \otimes b)^\infty$.

$$\begin{aligned} a^\omega; c \otimes b^\omega; d &= (a^* \sqcap a^\infty); c \otimes (b^* \sqcap b^\infty); d \\ &= (a^*; c \otimes b^*; d) \sqcap (a^*; c \otimes b^\infty) \sqcap (a^\infty \otimes b^*; d) \sqcap (a^\infty \otimes b^\infty) \\ &= (a \otimes b)^*; ((c \otimes b^*; d) \sqcap (a^*; c \otimes d)) \sqcap (a \otimes b)^*; (c \otimes b^\infty) \sqcap (a \otimes b)^*; (a^\infty \otimes d) \sqcap (a \otimes b)^\infty \\ &= (a \otimes b)^*; ((c \otimes b^*; d) \sqcap (c \otimes b^\infty) \sqcap ((a^*; c \otimes d) \sqcap (a^\infty \otimes d))) \sqcap (a \otimes b)^\infty \end{aligned}$$

$$\begin{aligned}
&= (a \otimes b)^*; ((c \otimes (b^*; d \sqcap b^\infty)) \sqcap ((a^*; c \sqcap a^\infty) \otimes d)) \sqcap (a \otimes b)^\infty \\
&= (a \otimes b)^*; ((c \otimes b^\omega; d) \sqcap (a^\omega; c \otimes d)) \sqcap (a \otimes b)^\infty \\
&= (a \otimes b)^\omega; ((c \otimes b^\omega; d) \sqcap (a^\omega; c \otimes d))
\end{aligned}$$

□

Lemma 17 (iterations-with-abort) *Provided $c \otimes \perp = \perp$, for any command c ,*

$$(a_0 \sqcap a_1; \perp)^\omega \otimes b^\omega = (a_0 \otimes b)^\omega; (\mathbf{nil} \sqcap (a_1 \otimes b); \perp).$$

Proof.

$$\begin{aligned}
&(a_0 \sqcap a_1; \perp)^\omega \otimes b^\omega \\
&= \text{omega decomposition} \\
&(a_0^*; a_1; \perp)^\omega; a_0^\omega \otimes b^\omega \\
&= \text{omega unfolding} \\
&(a_0^\omega \sqcap a_0^*; a_1; \perp) \otimes b^\omega \\
&= \text{distribute} \\
&(a_0^\omega \otimes b^\omega) \sqcap (a_0^*; a_1; \perp \otimes b^\omega) \\
&= \text{by (16) and isolation, i.e. } b^\omega = b^* \sqcap b^\infty \\
&(a_0 \otimes b)^\omega \sqcap (a_0^*; a_1; \perp \otimes b^*) \sqcap (a_0^*; a_1; \perp \otimes b^\infty) \\
&= \text{by Lemmas 9 and 12} \\
&(a_0 \otimes b)^\omega \sqcap (a_0 \otimes b)^*; ((a_1; \perp \otimes b^*) \sqcap (a_0^*; a_1; \perp \otimes \mathbf{nil})) \sqcap (a_0 \otimes b)^*; (a_1; \perp \otimes b^\infty) \\
&= \text{simplifying assuming } c \otimes \perp = \perp \\
&(a_0 \otimes b)^\omega \sqcap (a_0 \otimes b)^*; (a_1 \otimes b); \perp \sqcap (a_0 \otimes b)^*; (a_1 \otimes b); \perp \\
&= \text{non-deterministic choice is idempotent; isolation} \\
&(a_0 \otimes b)^\omega; (\mathbf{nil} \sqcap (a_1 \otimes b); \perp)
\end{aligned}$$

□

From Corollary 15 we can derive the following two corollaries which will be used in later proofs.

Corollary 33 (atomic_iter_prefix_sync_nil). For any atomic steps $a, b, b_1 \in \mathcal{A}$, and commands $c \in \mathcal{C}$,

$$a^\omega \otimes b^\omega; b_1; c = (a \otimes b)^\omega; (a \otimes b_1); (a^\omega \otimes c)$$

Corollary 34 (atomic_iter_prefix_sync_atomic). For any atomic steps $a, a_1, b, b_1 \in \mathcal{A}$, and commands $c, d \in \mathcal{C}$,

$$a^\omega; a_1; c \otimes b^\omega; b_1; d = (a \otimes b)^\omega; ((a_1 \otimes b_1); (c \otimes d) \sqcap (a_1 \otimes b); (c \otimes b^\omega; b_1; d) \sqcap (a \otimes b_1); (a^\omega; a_1; c \otimes d))$$

With Corollary 33 and (60) we have

Lemma 35 (assump-help1). For any atomic steps $a, b \in \mathcal{A}$,

$$a^\omega \sqcap b^\omega; !b; \perp = (a \sqcup b)^\omega; (a \sqcup !b); \perp$$

With Corollary 34 we have

Lemma 36 (assump-help2). For any atomic steps $a, b \in \mathcal{A}$,

$$a^\omega; !a; \perp \sqcap b^\omega; !b; \perp = (a \sqcup b)^\omega; ((!a \sqcup !b) \sqcup (!a \sqcup b) \sqcap (a \sqcup !b)); \perp$$

Since atomic commands form a Boolean algebra and with (60) we can derive the following two lemmas.

Lemma 37 (helper2). For any atomic steps $a, b \in \mathcal{A}$,

$$(!a \sqcap b) \sqcap (a \sqcap !b) \sqcap (!a \sqcap !b) = !(a \sqcap b)$$

Lemma 38 (assump-help3). For any atomic steps $a, b \in \mathcal{A}$,

$$(a \sqcup !b) \sqcap (!a \sqcup b) \sqcap (!a \sqcup !b) = !(a \sqcup b)$$

Lemmas 35, 36, and 38 are used in the proof of the following lemma, which in turn is valuable when proving the conjunction of relies (Lemma 23).

Lemma 18 (assume-iter-conj-assume-iter) *For any atomic steps $a, b \in \mathcal{A}$,*

$$(\mathbf{assume} \ a)^\omega \pitchfork (\mathbf{assume} \ b)^\omega = (\mathbf{assume}(a \sqcup b))^\omega$$

Proof.

$$\begin{aligned}
& (\mathbf{assume} \ a)^\omega \pitchfork (\mathbf{assume} \ b)^\omega \\
= & \text{ with Lemma 3 and (10)} \\
& (a^\omega \sqcap a^\omega; !a; \perp) \pitchfork (b^\omega \sqcap b^\omega; !b; \perp) \\
= & \text{ with (9) and (40)} \\
& (a^\omega \pitchfork b^\omega) \sqcap (a^\omega \pitchfork b^\omega; !b; \perp) \sqcap (a^\omega; !a; \perp \pitchfork b^\omega) \sqcap (a^\omega; !a; \perp \pitchfork b^\omega; !b; \perp) \\
= & \text{ (60), Corollary 16, and Lemma 35} \\
& (a \sqcup b)^\omega \sqcap (a \sqcup b)^\omega; (a \sqcup !b); \perp \sqcap (a \sqcup b)^\omega; (!a \sqcup b); \perp \sqcap (a^\omega; !a; \perp \pitchfork b^\omega; !b; \perp) \\
= & \text{ with Lemma 36} \\
& (a \sqcup b)^\omega \sqcap (a \sqcup b)^\omega; (a \sqcup !b); \perp \sqcap (a \sqcup b)^\omega; (!a \sqcup b); \perp \sqcap (a \sqcup b)^\omega; ((!a \sqcup !b) \sqcap (a \sqcup !b) \sqcap (!a \sqcup b)); \perp \\
= & \text{ with (9)} \\
& (a \sqcup b)^\omega \sqcap (a \sqcup b)^\omega; (a \sqcup !b); \perp \sqcap (a \sqcup b)^\omega; (!a \sqcup b); \perp \sqcap (a \sqcup b)^\omega; (!a \sqcap !b); \perp \\
= & \text{ with (10) and (9)} \\
& (a \sqcup b)^\omega; (\mathbf{nil} \sqcap ((a \sqcup !b) \sqcap (!a \sqcup b) \sqcap !(a \sqcup b))); \perp \\
= & \text{ with Lemma 38} \\
& (a \sqcup b)^\omega; (\mathbf{nil} \sqcap !(a \sqcup b)); \perp \\
= & \text{ with Lemma 3} \\
& (\mathbf{assume}(a \sqcup b))^\omega
\end{aligned}$$

□