

Distributed protocols for spanning tree construction and leader election

I. M. Khuziev* M. N. Vyalyi†

Abstract

We present fast deterministic distributed protocols in synchronous networks for leader election and spanning tree construction. The protocols are designed under the assumption that nodes in a network have identifiers but the size of an identifier is unlimited. So time bounds of protocols depend on the sizes of identifiers. We present fast protocols running in time $O(D \log L + L)$, where L is the size of the minimal identifier and D is the diameter of a network.

We study deterministic distributed protocols for leader election and spanning tree construction in a synchronous network. These problems play important role in distributed computation theory (e.g., see books [3, 7]).

It is well-known that for anonymous networks (processors are indistinguishable) there are no deterministic protocols solving these problems. So we assume that processors in a network (*nodes*) have unique names (*identifiers*). Under this assumption, a natural way for leader election is *the minimal identifier broadcast*: if all nodes in a network know the value of the minimal identifier then the node having this identifier is elected.

The previous study of these problems was based on the assumption that the identifiers are rather short (say, the nodes are numbered in the range $[1, \dots, V]$, where V is the size of a network) and messages are rather long (the message size is $O(\log V)$). In these settings near-optimal protocols are known for these problems and for a more general problem of minimum spanning tree construction [5, 7].

We address to an intermediate situation between the anonymous case and the well-numbered case. Namely, we assume that the nodes have identifiers but there is no a priori bound on the size of the identifiers. Also we restrict the communication speed by $O(1)$ bit per message. We call this model *the unbounded identifier model*. Here we consider deterministic protocols only and do not analyze possible errors in the process of information transmission.

In this model bounds for the bit complexity of protocols (the total number of bits sent) are known. For asynchronous ring and chain networks rather close upper and lower bounds of the bit complexity were obtained in [1]. In [2] protocols with near-optimal bit complexity bounds were presented for arbitrary

*Moscow Institute of Physics and Technology (State University). Partially supported by the RFBR grant 14-01-00641

†Dorodnicyn Computing Centre, FRC CSC RAS; Moscow Institute of Physics and Technology (State University); National Research University Higher School of Economics. The study has been funded by the Russian Academic Excellence Project '5-100'

synchronous networks. More exactly, for each monotone unbounded function $g(\cdot)$ there is a protocol that constructs a spanning tree and sends $O(Eg(V))$ bits, where E is the number of links in a network, V is the number of nodes. These protocols construct rooted trees and the root is the node with the minimal identifier. So the protocols also elect a leader in a network.

In this paper we are interested in time bounds of the protocols in the unbounded identifier model. In the unbounded identifier model the running time of a protocol depends on the sizes of identifiers. We denote by L the length of the shortest identifier. (We always assume that a shorter identifier is lesser.)

Straightforward modifications of known protocols for the unbounded identifier model run in time $O(DL)$. Here D is the diameter of a network. We present better protocols.

We present the message terminating protocol and the processor terminating protocol for leader election and spanning tree construction. The definitions for these types of protocols are taken from the paper [6]. The message termination means that at some moment of time all nodes are in a *sleep state*. In such a state a node does not send messages but can change the state after receiving a suitable message. The processor termination means that at some moment of time all nodes are in the *final state*. This state cannot be changed by any message. In other words, a node in the final state is off-line. Processor terminating is a stronger property. It is important, e.g., for compositions of protocols.

The following two results are our main contribution.

Theorem 1. *There exists a message terminating protocol that broadcasts the minimal identifier and constructs a rooted spanning tree in time $O(D \log L + L)$, where L is the length of the minimal identifier and D is the diameter of the network.*

Theorem 2. *There exists a processor terminating protocol that broadcasts the minimal identifier and constructs a rooted spanning tree in time $O(D \log L + L)$, where L is the length of the minimal identifier and D is the diameter of the network.*

These protocols are modifications of flooding and echo protocols designed for the well-numbered model. To speed up a flooding protocol in the unbounded identifier model, we introduce a suitable encoding of identifiers (see Section 3.1 below) and add a correction phase to the process of information transmission.

Note also that the protocols presented in this paper remain correct in the asynchronous case. But time bounds are valid for the synchronous case only.

The rest of paper is organized as follows. In Section 1 we give formal definitions of our model and the problems solved by protocols. Section 2 contains an overview of our construction. Section 3 contains the proof of Theorem 1: a detailed description of the message terminating protocol that broadcasts the minimal identifier in a network, the proof of correctness, the upper bound of the running time and spanning tree construction based on this protocol. In Section 4 we present the proof of Theorem 2 based on a suitable modification of an echo protocol combined with the previous protocol that broadcasts the minimal identifier.

1 Definitions

The unbounded identifier model were introduced in [2]. Here we adopt this model with minor changes in formal definitions.

We consider point-to-point synchronous networks and distributed protocols in them. Nodes of a network communicate by sending messages through bi-directed links. All nodes perform the same communication protocol. Communication speed is bounded by $O(1)$. The nodes are distinguishable but the amount of information to distinguish them may be arbitrary large.

In this section we provide formal definitions for this model.

A *network* $G(V, E)$ is a connected graph, where V is the set of nodes and E is the set of bi-directed links. The graph is equipped by a set of functions. An injective function $I: V \rightarrow \{0, 1\}^*$ assigns the unique identifier $I(v)$ to a node v . Links of each node are ordered by index functions n_v . Let $d(v)$ be a degree of a node in $G(V, E)$. Then the range of the index function $n_v: \{1, \dots, d(v)\} \rightarrow E$ is exactly the set of edges incident to v in $G(V, E)$.

We assume that initially a node has only local information about a network. It knows the number of its links (the degree $d(v)$), can distinguish links by its index function, and knows its identifier.

This model uses discrete time. Time moments are numbered by nonnegative integers. At a moment t a node v receives messages from all its neighbors. The messages are bit strings, their lengths are bounded by a constant specified by a protocol. The empty string λ is allowed. It indicates absence of a message.

The list of messages received by the node v at a moment t is denoted as

$$\mathbf{m}_t(v) = (m_1(t, v), \dots, m_{d(v)}(t, v)),$$

the messages are ordered by the index function.

Usually states of nodes are used in protocol descriptions. But it is unnecessary and we avoid states in the definitions. One may take a history of communication in a node as a state of a node. A *history of communication* $H(t, v)$ in a node v at a moment t is the list $(I(v), \mathbf{m}_1(v), \dots, \mathbf{m}_t(v))$. We assume that messages depend on the history of communication only. (So the protocols are deterministic.)

By definition, a *protocol* is the message function $\text{message}(t, H)$ that determines the messages sent during the current round of communication. The first argument in the message function is an index of a link in the link enumeration. The second argument is the history of communication.

The message function may be arbitrary. It means that nodes are computationally unlimited. Nevertheless, it is worth to mention that in the protocols presented in this paper the message functions are easy to compute.

Initially, at time $t = 0$, the history of communication in a node v is $H(v, 0) = (I(v))$. Then the configuration of the network is changed according the following rules:

$$\begin{aligned} m_i(t, v) &= \text{message}(j, H(t-1, s)), \\ H(t, v) &= (H(t-1, v), (m_i(t, v) : 1 \leq i \leq d(v))), \end{aligned} \tag{1}$$

where the link $(s, v) \in E$ has the index i in the node v and the index j in the node s . (Recall that no communication errors are allowed in this model.)

Note that the rules are the same for all nodes in the network. But behavior of a node may depend on a moment of time due to the synchronization assumption.

We say that a node v is in the *final state* at moment t , if

$$\text{message}(i, (H(t, v), H')) = \lambda$$

for all i, H' . It means that in the final state a node is not communicating with a network: it sends nothing and ignores all incoming messages.

We say that a node v is in a *sleep state* at moment t , if

$$\text{message}(i, (H(t, v), \Lambda, \Lambda, \dots, \Lambda)) = \lambda,$$

where Λ is the list composed of the empty strings. Thus a node in a sleep state does not generate messages and does not change its state if it has not received messages from its neighbors at the previous moment of time. It implies that communication finishes if all nodes are in sleep states. But a node in a sleep state can be ‘awaken’ by a suitable message.

Definition 1. A protocol is *message terminating* if for any network $G(V, E)$, $I(v)$, $n_v(i)$ all nodes are in a sleep state at some moment t .

Definition 2. A protocol is *processor terminating* if for any $G(V, E)$, $I(v)$, $n_v(i)$ all nodes are in the final state at some moment t .

The running time T of the protocol in the network $G(V, E)$, $I(v)$, $n_v(i)$ is the first moment of time when all nodes are in the final (a sleep) state.

Now we are going to define a useful result of a protocol. Loosely speaking, it is an arbitrary function of a history of communication.

We say that a protocol message(i, H) *broadcasts the minimal identifier* if it terminates in any network and there is a function $M(H)$ such that $M(H(v, T)) = I_{\min}$ for all $v \in V$. Here T is the running time of the protocol and I_{\min} is the minimal identifier in the network with respect to *the shortlex order* \prec_{lex} : compare strings by the length and in the case of equal lengths compare them lexicographically.

We say that a protocol message(i, H) *elects a leader* if it terminates in any network and there is a function $\ell(H)$ such that (i) $\ell(H) \in \{0, 1\}$ and (ii) after the protocol finishes, there is exactly one node (the leader) with the value $\ell = 1$: $\ell(H(w, T)) = 1$ for the leader w and $\ell(H(v, T)) = 0$ for all $v \neq w$.

It follows from the definitions that if a protocol broadcasts the minimal identifier then it also elects a leader: the value $\ell(v)$ is determined by I_{\min} and $I(v)$ in the straightforward way.

We say that a protocol message(i, H) *constructs a rooted spanning tree* if it terminates in any network and there is a function $\pi(H)$ such that (i) $\pi(H(v, T)) \in V \cup \{\text{root}\}$; (ii) there is exactly one node r such that $\pi(H(r, T)) = \text{root}$; (iii) for all $v \in V$ if $\pi(H(v, T)) \neq \text{root}$ then $(v, \pi(H(v, T))) \in E$ and (iv) the links $(v, \pi(H(v, T)))$, where $\pi(H(v, T)) \neq \text{root}$, form a spanning tree in the network.

Remark 1. The definition of protocols constructing a spanning tree looks rather artificially. It is used to simplify formal arguments. Note in advance that an orientation from a child to a parent appears in our protocols naturally as well as the list of childs. So we skip the list in the definition.

Speaking of rooted trees, we always assume edge orientation towards the root.

2 An overview of the protocols

In this section we discuss informally the protocols presented below.

The basic idea is very simple: to broadcast information as fast as possible. Once a node obtains some useful information, it immediately resends it to all its neighbors.

We illustrate the idea in a simpler situation. Suppose that initially there is the unique *active* node in a network (a leader). It starts communication and sends its identifier to neighbors bit by bit. An initially nonactive node awakes after receiving a non-empty message and chooses a sender of this message as a parent. Then the node also transmits to its neighbors bits received from the parent. In this way we obtain a protocol that constructs a rooted tree in time $O(D + L)$, where L is the size of the active node identifier. The root of the tree is the initially active node. Such protocols are called *flooding protocols*.

In absence of a leader (the initially active node) the straightforward realization of this idea takes more time. We mean the following rules: nodes send identifiers to the neighbors, compare received identifiers and transmit the current minimal value. In this way we obtain a sort of flooding protocol to broadcast the minimal identifier. The protocol is easily transformed to a protocol constructing a spanning tree. The running time of this protocol in our settings is $O(DL)$. Essentially, it is the well-known Perlman protocol [4] adjusted for our model.

To speed up this flooding protocol we will use two ideas.

At first, we encode identifiers in such a way that for encoded strings the result of comparison of string's prefixes does not change after receiving the suffixes of the strings. It gives a way to compare long strings by their short prefixes. Thus, our protocols transmit *keys*, i.e. encoded identifiers.

The second idea is to transmit the current information about the minimal key although it might be incorrect. When incorrectness is revealed, a correction message is sent instead of re-sending the whole information about the minimal key. Of course, corrections make the running time longer. In Section 3 we give the exact rules for the protocol and prove the time bound given in Theorem 1.

In this way we get a message terminating protocol. After receiving a set of keys, a node can not exclude a possibility that somewhere in a network there is a smaller key.

To make a protocol processor terminating requires additional work. Thus nodes should communicate and establish the fact of termination of the key distribution process. To make this communication faster, the nodes may use a spanning tree built by the message terminating protocol. For this purpose we implement a protocol based on the idea of echo protocol (see, e.g. [7]) adjusted to our model. Broadcasting messages through a tree requires a time proportional to the diameter of the tree. Thus we come to the time bound given in Theorem 2: the tree depth does not exceed the running time of the message terminating protocol. Details are presented in Section 4.

3 Message terminating protocol for the minimal identifier broadcasting

3.1 From identifiers to keys

We encode the identifiers by the map

$$K : x \mapsto 1^{k+1}0^{2^k-|x|}1x, \quad \text{where } k = \lceil \log |x| \rceil + 1,$$

on the set $\{0, 1\}^*$ of binary strings. Hereinafter we use the standard notation: $|x|$ is the length of a binary string x , a^k is a string a repeated k times. All logarithms are binary. For the empty string λ we set $K(\lambda) = 101$. It corresponds to the general rule with $k = 0$.

The image $c(\{0, 1\}^*)$ is the set of *keys*.

It is easy to see several simple and useful properties of this encoding:

- if $|x| = |y|$ then $|K(x)| = |K(y)|$;
- the length of x is determined by a prefix $1^{k+1}0^{2^k-|x|}1$ of the key $K(x)$;
- the encoding is injective (an identifier can be restored from its key);
- any key is not a proper prefix of another key;
- $|K(x)| = O(|x|)$.

We are interested in asymptotic bounds. So we will ignore the difference between lengths of keys and lengths of identifiers.

Keys are compared in *the partial lexicographical order* (PL order). Let $\text{lcp}(u, v)$ be the longest common prefix of the strings u, v . Then by definition u is less than v in the PL order if $u = \text{lcp}(u, v)0u'$, $v = \text{lcp}(u, v)1v'$. We denote this fact by $u \prec_{\text{PL}} v$.

Note that a prefix of a string is not PL comparable with the string. It justifies the term ‘partial’. In the other direction, if $\text{lcp}(u, v)$ is a proper prefix of both strings u and v then the strings are comparable in the PL order.

We indicate properties of the PL order that will be useful in the analysis of the protocols.

Proposition 1. *If $u \prec_{\text{PL}} v$ then $uw' \prec_{\text{PL}} vw''$ for all w', w'' .*

The proposition follows easily from the definition of the PL order.

Proposition 2. *If u, v are keys and $|u| < |v|$ then $u \prec_{\text{PL}} v$. Moreover, there are prefixes u' and v' of the keys u, v such that $u' \prec_{\text{PL}} v'$ and $|u'| = |v'| \leq 2 + \log |u|$.*

Proof. Note that $\text{lcp}(u, v) = 1^{k+1}$, where $|u| = 2 + k + 2^k$. So the prefixes $u' = 1^{k+1}0$, $v' = 1^{k+2}$ of the keys u, v are PL compared and $u' \prec_{\text{PL}} v'$.

The second claim follows from the inequality $k + 2 \leq 2 + \log(2 + k + 2^k)$. \square

Remark 2. There is no linear order on the whole set of binary strings satisfying Proposition 1 and Proposition 2. Thus we need to introduce keys.

Also note that the PL order is a linear order on the set of the keys.

Proposition 3. *The PL order on the keys is consistent with the shortlex order \prec_{lex} on the identifiers: $x \prec_{\text{lex}} y$ iff $K(x) \prec_{\text{PL}} K(y)$.*

Proof. If $|x| = |y|$ then $K(x) = px$, $K(y) = py$. In this case $K(x) \prec_{\text{PL}} K(y)$ is equivalent to $x \prec_{\text{lex}} y$.

If $|x| < |y|$ then either $|K(x)| < |K(y)|$ or $|K(x)| = |K(y)|$. The former implies $K(x) \prec_{\text{PL}} K(y)$ by Proposition 2. If $|K(x)| = |K(y)|$, then $K(y) = 1^{k+1}0^{2^k-|y|}1y$ and $K(x) = 1^{k+1}0^{2^k-|y|}0sx$. Thus $K(x) \prec_{\text{PL}} K(y)$.

In the other direction the arguments are similar. □

Proposition 4. *Let M be the set of PL-minimal elements of a set S of strings. Then for any pair of strings in M one is a prefix of another.*

Proof. The minimal elements form an antichain in the PL order. But the only PL incomparable pairs are (string u , a prefix of u). □

3.2 Description of the protocol

Messages in the protocol consist of the *information bit* and *control bits*. There will be finitely many control bits. Thus the communication speed is $O(1)$. The value 1 of a control bit indicates that a specific event occurs in the process of communication.

Absence of the information bit in a message is allowed (the case is indicated by the empty string instead of 1-bit string). We assume that if the information bit is empty and all control bits are 0, then no message is sent (formally, the empty string is sent).

Each node sends the same messages to all its neighbors in this protocol. The message is determined by the following data.

Executing the protocol, a node maintains *the candidate* (to the minimal key) and the list of *participants*. Candidates and participants are binary strings. Participants are prefixes of the candidates that has been received by a node from its neighbors. In particular, the number of participants equals the number of neighbors in each node.

Initially the candidate of a node is its key and all participants are empty.

At any moment of time the candidate is the longest PL-minimal string among the participants and the node's key. Proposition 4 guarantees the uniqueness of the candidate.

At *regular periods of time* a node sends bits of its candidate one by one until all bits of the candidate are sent. At *exceptional periods of time* the participant p sent to the neighbors of a node is not a prefix of the current candidate q of the node. During an exceptional period the node sends *a correction message*: the length of $\text{lcp}(p, q)$ written in binary. (In other words, a node tells to neighbors how many bits in its data are valid.) The end of a correction message is indicated in control bits as well as the end of a correction message.

It is possible that the candidate is changed during an exceptional period of time. It might cause that the current correction message becomes incorrect (more bits in the participant are wrong). In this case the current correction message is aborted (this event is indicated in control bits) and the node starts transmission of a new correction message.

If a node has finished transmission of the candidate it goes to a sleep state.

Below we provide the exact rules of the protocol. We need the following notation.

Let $w[i : j]$ be the substring of a string w that starts at the position i and ends in the position j . A single j th bit of the string is denoted by $w[j]$.

$K(u)$ is the key of the node u , i.e., is a shortcut of $K(I(u))$. $C(t, u)$ is the candidate of the node u after t steps of the protocol. $P(t, u)$ is the participant sent by the node u to all its neighbors after t steps of the protocol.

To define the rules for exceptional periods we need a notation $R(t, u)$ that means the prefix of the correction message that has been sent to neighbors after t steps of the protocol. During regular periods, $R(t, u)$ is the empty string.

In this protocol a node sends the same message to all its neighbors. So we indicate an information sent by the node. Just the same information is received by all neighbors of the node (recall that there are no communication errors in our model).

Thus, an operation of a node at step $t + 1$ of protocol is defined by the data

$$C(t, u), P(t, u), R(t, u), \quad (P(t, v) : (v, u) \in E(G)), \quad (R(t, v) : (v, u) \in E(G)),$$

i.e., by the candidate, by the prefixes of the candidate and a correction message sent up to the time, and by participants and prefixes of correction messages received from neighbors. The node also takes into account the values of control bits. For simplicity we do not introduce notation for control bits. Instead, we describe a way to use them.

To form a message at step $t + 1$, the node also uses a correction message string $L(t, u)$. It is determined by the basic data as follows: if $P(t, u)$ is a prefix of $C(t, u)$ (a regular period), then $L(t, u)$ is the empty string. Otherwise (an exceptional period)

$$L(t, u) = \text{bin} \left(\left| \text{lcp}(C(t, u), P(t, u)) \right| \right),$$

where $\text{bin}(n)$ is a binary representation of an integer n .

If $L(t, u)$ is empty, then, if $P(t, u) \neq C(t, u)$, the information bit $b(t + 1, u)$ of the next message is the next bit of the candidate, i.e.,

$$b(t + 1, u) = C(t, u)[|P(t, u)| + 1];$$

otherwise, $b(t + 1, u) = \lambda$.

If $L(t, u)$ is non-empty, then the node transmits the following message (and indicates in control bits that it is a message of an exceptional period):

- if $R(t, u)$ is non-empty and $R(t, u)$ is a prefix of $L(t, u)$, then the information bit $b(t + 1, u)$ of the message is the next bit of the correction message, i.e.,

$$b(t + 1, u) = L(t, u)[|R(t, u)| + 1];$$

- if either $R(t, u)$ is empty or $R(t, u)$ is not a prefix of $L(t, u)$, then the information bit $b(t + 1, u)$ of the message is $L(t, u)[1]$, in control bits the fact of starting correction phase is indicated;
- a transmission of the last bit of a correction message is indicated in control bits also.

Figures 1 and 2 illustrate the rules determining the value of the information bit of a message.

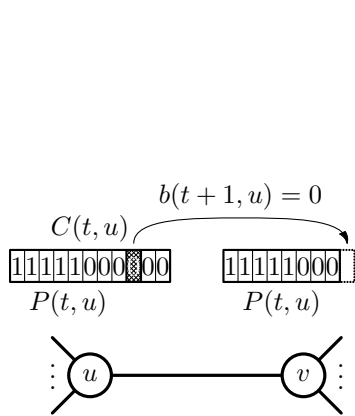


Figure 1: Regular period

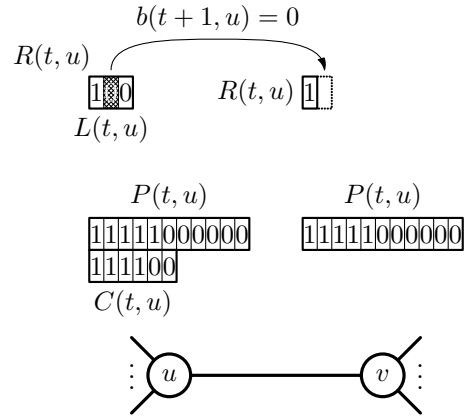


Figure 2: Exceptional period

Depending on the messages received at moment $t + 1$, the nodes change the basic data according the following rules.

If $L(t, u) = \lambda$ (a regular period), then

$$P(t + 1, u) = P(t, u)b(t + 1, u), \quad R(t + 1, u) = \lambda.$$

If $L(t, u) \neq \lambda$ (an exceptional period), then changes in the data are different:

- if $R(t, u)b(t + 1, u) = L(t, u)$ (the end of the exceptional period), then $R(t + 1, u) = \lambda$ and $P(t + 1, u) = \text{lcp}(C(t, u), P(t, u))$;
- if $R(t, u)b(t + 1, u)$ is a proper prefix of $L(t, u)$, then $R(t + 1, u) = R(t, u)b(t + 1, u)$ and $P(t + 1, u) = P(t, u)$;
- if $R(t, u)b(t + 1, u)$ is not a prefix $L(t, u)$, then $R(t + 1, u) = b(t + 1, u)$ and $P(t + 1, u) = P(t, u)$ (it follows from the rules determining the messages of exceptional period that this case is possible if a correction message is aborted for another correction message).

Note that, taking into account the received information and control bits, a node is able to update the data of neighbors, i.e., to determine new values of the lists $(P(t + 1, v) : (v, u) \in E(G))$ and $(R(t + 1, v) : (v, u) \in E(G))$. In particular, after receiving the last bit of a correction message from a neighbor v , a node u sets the participant $P(t + 1, v)$ to be the prefix of $P(t, v)$ of length $\ell(t, v)$, where the binary representation of an integer $\ell(t, v)$ is just the correction message $L(t, v)$ received.

The last piece of the updated data to be determined is the candidate of a node. The new value $C(t + 1, u)$ is the longest PL-minimal string in the set $\{C(t, u), P(t + 1, v) : (v, u) \in E(G)\}$.

Initially, at moment $t = 0$, all participants $P(0, u)$ and all prefixes of correction messages $R(0, u)$ are empty and the candidates are the keys: $C(0, u) = K(u)$ for all u .

Note that the candidates, the participants and the correction messages are functions of the communication history in the node. Thus the described protocol satisfies the definition (1).

Let's check the important property of the protocol, which has been indicated in the above informal discussion.

Proposition 5. *A participant $P(t+1, u)$ is a prefix of some candidate $C(t', u)$, $t' < t$.*

Proof. Induction by the moments of time. Initially, at $t = 0$, the proposition holds due to the rules of the protocol (the first step is regular).

Inductive step is a consideration of possible cases for determining a new value of a participant.

A regular period, the information bit is non-empty. In this case

$$P(t+1, u) = P(t, u)b(t+1, u)$$

is a prefix of the candidate $C(t, u)$ by the rule of determining the information bit.

A regular period, the information bit is empty. In this case

$$P(t+1, u) = C(t, u).$$

The end of an exceptional period: by definition, $P(t+1, u)$ is a prefix of $C(t, u)$.

On other steps of an exceptional period, the participant does not change. Thus, by the induction hypothesis, it is a prefix of a previous candidate. \square

Informally, the candidates and the participants provide a sequence of approximations to the minimal key. Therefore it is natural to expect that the sequence is monotone in each node. The strings are compared in a partial order. So the only weak monotonicity is possible. The next proposition formalizes this intuition.

Proposition 6. *A sequence of the candidates $(C(t, u))$ in a node u is non-increasing; moreover, for $t' > t$ either $C(t, u)$ is a prefix of $C(t', u)$ or $C(t', u) \prec_{\text{PL}} C(t, u)$.*

Proof. By the rule of determining the next candidate as the longest possible PL-minimal string over the set that contains the previous candidate, it follows from $C(t+1, u) \not\prec_{\text{PL}} C(t, u)$ that $C(t, u)$ is a prefix $C(t+1, u)$ due to Proposition 4.

For arbitrary $t' > t$ the statement follows by induction and transitivity of an order relation. \square

3.3 Correctness of the protocol

It follows from the rules of the protocol that a node sends the empty message if $P(t, u) = C(t, u)$. This condition remains true if the node has not received non-empty messages from its neighbor (the data remain unchanged). Therefore, if $P(t, u) = C(t, u)$, then the node u is in a sleep state.

Below we prove the lemma.

Lemma 1. *At some moment of time the candidates and the participants in all nodes are equal to the PL-minimal key in a network.*

Proposition 3 (the PL order on the keys is consistent with the short-lex order on the identifiers), injectivity of the mapping from the identifiers to the keys, and Lemma 1 imply that the protocol described in the previous subsection is a message terminating protocol broadcasting the minimal identifier.

Before the proof of Lemma 1 we prove several facts that will also be useful in evaluating the running time of the protocol.

Proposition 7. *At any moment of time t the participant $P(t, u)$ and the candidate $C(t, u)$ of any node u are prefixes of node keys.*

Proof. Induction by the moments of time. It is sufficient to prove the statement for candidates only because participants are prefixes of candidates due to Proposition 5.

The base case holds since initially all candidates are keys.

Show that if the statement holds at moment t , then it also holds at moment $t + 1$.

Participants of all nodes at moment $t + 1$ are prefixes of candidates at earlier times due to Proposition 5. By the induction hypothesis they are prefixes of keys. The candidate $C(t + 1, u)$ coincides either with $C(t, u)$ or with a participant $P(t + 1, v)$. \square

Let K_{\min} be the minimal key in a network. We will use the following fact about prefixes of the keys.

Proposition 8. *Let p be a prefix of a key $K(w)$. Then either $K_{\min} \prec_{\text{PL}} p$ or p is a prefix of K_{\min} .*

Proof. Look at the position that determines the result of comparison K_{\min} and $K(w)$:

$$K_{\min} = \text{lcp}(K(w), K_{\min})0k', \quad K(w) = \text{lcp}(K(w), K_{\min})1k''.$$

Let p be a prefix of $K(w)$ such that p is not a prefix of K_{\min} . Then p is longer than $\text{lcp}(K(w), K_{\min})$. Therefore $\text{lcp}(p, K_{\min}) = \text{lcp}(K(w), K_{\min})$ and $p = \text{lcp}(K(w), K_{\min})1p'$. Thus $K_{\min} \prec_{\text{PL}} p$. \square

Corollary 1. *If $C(t^*, u) = K_{\min}$, then $C(t, u) = K_{\min}$ for all $t > t^*$, $u \in V$.*

Proof. Show that $C(t, u) = K_{\min}$ implies $C(t + 1, u) = K_{\min}$. By definition, $C(t + 1, u)$ is the longest string among all PL-minimal strings in a set containing the candidate $C(t, u) = K_{\min}$ and participants. The participants are prefixes of keys due to Proposition 7. Now apply Proposition 8. \square

We conclude from this corollary the following fact: if the candidate of a node u equals the minimal key at moment t^* , then the node u will finish communication at some later moment. Indeed, if the participant $P(t^*, u)$ is not a prefix of the minimal key, then a correction message will be transmitted (since the candidate remains unchanged, this correction message can not be aborted). After that the node resumes transmission of remaining bits of the candidate (which coincides with the minimal key). The node finishes communication after sending the last bit of the candidate (the minimal key).

Proof of Lemma 1. Due to Proposition 1 it is sufficient to prove that in any node the candidate equals the minimal key at some moment of time.

The proof is by induction on the distance d from the node with the minimal key.

The base case $d = 0$ is clear. In this case the candidate is the minimal key from the very beginning.

For induction step, assume that at time t in all nodes at distance $< d$ from the minimal one the candidates are equal to the minimal key. Take a node v at distance d from the minimal node. The node v has a neighbor w at distance $d - 1$ from the minimal node. As shown above, the node w finishes transmission of the minimal key at some moment $t' \geq t$. At this moment, the participant $P(t', w)$ equals the minimal key. It means that $C(t', v)$ is also the minimal key: from Propositions 1 and 7 we conclude that a prefix of a key is not lesser the minimal key in the PL order; thus the minimal elements of the set $\{C(t' - 1, u), P(t', v) : (v, u) \in E(G)\}$ are prefixes of the minimal key and the minimal key is the longest among them. Applying the rule for determining the next candidate, we get $C(t', v) = K_{\min}$. \square

Remark 3. By similar arguments one can easily get a simple upper bound on the running time of the protocol, namely, $O(DL)$, where D is the diameter of the network and L is the length of the minimal key.

In the next subsection we improve this bound.

3.4 Improved upper bound of the running time

Assume that the candidate of a node equals the minimal key at some moment of time t . After that moment the node is transmitting the bits of the minimal key preceding by at most one correction message of the length $O(\log L)$. For inductive bound similar to the proof of Lemma 1, we need a lower bound of the length of the prefix of the minimal key that has been sent by the node before time t .

This bound is based on monotonicity of the minimal key propagation through a network. If a node has sent a prefix of the minimal key, then the prefix will not be corrected in future.

We state this property formally and prove it. But it is convenient to divide it in two statements.

Proposition 9. *In each node the length of the longest common prefix of the candidate in the node and the minimal key does not decrease.*

Proof. Let $q_0 = C(t, u)$, $q_1 = C(t+1, u)$ be two subsequent candidates in a node. We prove that $\text{lcp}(K_{\min}, q_0)$ is a prefix of q_1 .

If q_0 is a prefix of q_1 , then the statement is trivial. So, we assume that the opposite holds. Then $q_1 \prec_{\text{PL}} q_0$ due to Proposition 6.

Let p be $\text{lcp}(q_0, q_1)$. From the definition of the PL order we get

$$q_0 = p1q', \quad q_1 = p0q''.$$

By Proposition 7, the string q_1 is a prefix of a key $K(w)$. Thus,

$$K_{\min} \preceq_{\text{PL}} K(w) = q_1q''' = p0q''q''' \prec_{\text{PL}} p1.$$

Therefore $p1$ is not a prefix of K_{\min} . But it implies that

$$\text{lcp}(K_{\min}, q_0) = \text{lcp}(K_{\min}, p1) = \text{lcp}(K_{\min}, p)$$

is a prefix of p , which is a prefix of q_1 . \square

A similar statement holds for participants. But the proof is more tricky because participants can be arbitrary truncated.

Proposition 10. *In each node the length of the longest common prefix of a participant in the node and the minimal key does not decrease.*

Proof. Let $q_0 = P(t, u)$, $q_1 = P(t + 1, u)$ be two subsequent participants in a node. By the rules of the protocol, in a regular period q_0 is a prefix of q_1 (possibly, $q_0 = q_1$). At all moments of an exceptional period, with except for the last, $q_0 = q_1$ too. This last moment is the only nontrivial case in the proof.

At the end of an exceptional period the rules of the protocol give us

$$q_1 = \text{lcp}(C(t, u), P(t, u)).$$

Now we prove that $\text{lcp}(K_{\min}, P(t, u))$ is a prefix of q_1 . By Proposition 5, $P(t, u)$ is a prefix of some earlier candidate $C(t', u)$, $t' < t$. A correction message is non-empty iff $P(t, u)$ is not a prefix of $C(t, u)$. It selects in the dichotomy of Proposition 6 the case $C(t, u) \prec_{\text{PL}} C(t', u)$. Thus,

$$C(t, u) = p0p', \quad C(t', u) = p1p'',$$

and $p1$ is a prefix of $P(t, u)$ (since $P(t, u)$ is not a prefix of $C(t, u)$). In other words, $q_1 = p$. Since the candidate $C(t, u)$ is a prefix of a key $K(w)$ (Proposition 7) and

$$p1 \succ_{\text{PL}} C(t, u), \quad K(w) \succ_{\text{PL}} K_{\min},$$

$p1$ is not a prefix of K_{\min} . Thus, $\text{lcp}(K_{\min}, P(t, u))$ is a prefix of $p = q_1$. \square

Now we introduce the main tool in the time analysis of the protocol: *the delays* of the minimal key transmission. By definition, the delay $\delta(t, v)$ in the node v at time t is $t - |\text{lcp}(K_{\min}, P(t, v))|$, if the node has not finished the minimal key transmission at moment t , i.e., if $P(t, v) \neq K_{\min}$. Otherwise, the delay is undefined.

By Lemma 1, the participant of a node equals the minimal key at some moment of time. Therefore the delays in the node are bounded. Let $\delta(v)$ be the maximal delay in a node v .

Note that a sequence of the delays $\delta(t, v)$ in a node is non-decreasing since the only one information bit is transmitted during a step of protocol.

Also note that if the node v has not finished transmission of the minimal key at time t , then its participant $P(t, v)$ has a common prefix of the length at least $t - \delta(v)$ with the minimal key.

Lemma 2. *If nodes v and w are neighbors in a network, then*

$$\delta(v) \leq \delta(w) + |\text{bin}(L)|, \tag{2}$$

where L is the length of the minimal key.

Proof. Let t_0 be the last moment when a node v sends a wrong bit, i.e.

$$t_0 = \max \left(t : |\text{lcp}(P(t, v), K_{\min})| < |P(t, v)| \text{ and } P(t, v) \text{ is a prefix of } C(t, v) \right).$$

After that, during an exceptional period $t_0 < t \leq t_1$, correction messages are transmitted (therefore $P(t, v) = P(t_0, v)$).

At the last moment of correction transmission t_1 the length of the participant decreases to $|\text{lcp}(P(t_0, v), K_{\min})|$, since by Proposition 10 the length of the longest common prefix of a participant and the minimal key does not decrease but a new participant should be a prefix of the minimal key.

From a moment $t_2 \geq t_1$ the delays do not increase: the next bit of the minimal key is transmitted at the next step. As the delay function is monotone, we get

$$\delta(v) \leq t_2 - |\text{lcp}(P(t_0, v), K_{\min})|.$$

We upperbound t_2 via the delay $\delta(w)$ of a neighbor w of the node v . As it shown above, either the participant $P(t, w)$ has a common prefix with the minimal key that is not shorter than $\ell(t) = t - \delta(w)$, or this participant is the minimal key. The participant is in the set of strings, which is used in determining the next candidate of the node v . Therefore the candidate $C(t_0, v)$ has a common prefix with the minimal key that is not shorter than $\min(\ell(t_0), L)$. On the other hand, this common prefix coincides with $\text{lcp}(P(t_0, v), K_{\min}) \neq K_{\min}$ by construction: the moment t_0 is regular, thus $P(t_0, v)$ is a prefix of $C(t_0, v)$. From this we get

$$|\text{lcp}(P(t_0, v), K_{\min})| \geq \ell(t_0),$$

i.e., $t_0 \leq |\text{lcp}(P(t_0, v), K_{\min})| + \delta(w)$.

Note that for $t \geq |\text{lcp}(P(t_0, v), K_{\min})| + \delta(w)$ the length of the candidate increases at step t while the candidate differs from the minimal key. If $t \geq t_1$ holds, then the length of the participant also increases while the participant differs from the minimal key. Thus

$$t_2 \leq \max \left(|\text{lcp}(P(t_0, v), K_{\min})| + \delta(w), t_1 \right).$$

The difference $t_1 - t_0$ equals the length of the last correction message

$$\text{bin} \left(|\text{lcp}(P(t_0, v), K_{\min})| \right),$$

which is at most $|\text{bin}(L)|$.

Finally, we get

$$\begin{aligned} \delta(v) &\leq t_2 - |\text{lcp}(P(t_0, v), K_{\min})| \leq \\ &\leq \max \left(|\text{lcp}(P(t_0, v), K_{\min})| + \delta(w), t_1 \right) - |\text{lcp}(P(t_0, v), K_{\min})| \leq \\ &\leq \max \left(\delta(w), t_1 - t_0 + t_0 - |\text{lcp}(P(t_0, v), K_{\min})| \right) \leq \delta(w) + |\text{bin}(L)|. \end{aligned}$$

It completes the proof. \square

Lemma 3. *The running time of the protocol is $O(L + D \log L)$.*

Proof. The delay in the node with the minimal key is 0. Inequality (2) implies that for a node at distance h from the minimal node the delay is $O(h \log L)$. So the maximal delay over all nodes is $O(D \log L)$. Thus each node finishes transmission of the minimal key in time $O(L + D \log L)$ and the running time of the protocol has the same bound. \square

3.5 Spanning tree construction

To complete the proof of Theorem 1, we need to show that the above protocol constructs a spanning tree.

After finishing the protocol, all nodes are in sleep states and their participants and candidates are equal to the minimal key. One can define a spanning tree at this moment by the following rule: a node looks at the moment, when it has received the last bit of the minimal key, and chooses as a parent a node that has sent this bit (a choice between several nodes satisfying this condition is arbitrary). The node having the minimal key is the root. We obtain in this way a directed graph (a digraph). Fan-outs of all nodes in the digraph ≤ 1 and there are no directed cycles in it (to send the last bit of the minimal key, the node should receive it; thus the moments of transition to a sleep state form a strictly decreasing sequence).

But for processor terminating protocol we need a more general construction. Not only the minimal key is propagating through a network. It is possible that at some moment the protocol is stopped in a part of the network but the candidates in this part differ from the minimal key. Recall that no key is a prefix of another key. By Proposition 7 candidates are prefixes of keys. Thus a node can distinguish the moments of time when its candidate is a key as well as neighbors who sent the last bit of the key.

For a node v we define a sequence of keys

$$K(v) = K_0 \succ_{\text{PL}} K_1 \succ_{\text{PL}} \dots \succ_{\text{PL}} K_{\text{last}} = K_{\text{min}}, \quad (3)$$

passing through the node at some moment of time. The sequence (3) is decreasing due to Proposition 6 (recall that the PL order is a linear order on the set of keys). The sequence is non-empty, since initially the candidate is the key of the node.

For a key K we denote by $\tau_K(v)$ the first moment t such that $K = C(t, v)$. If $K \neq C(t, v)$ for all t , then $\tau_K(v) = \infty$. By definition, $\tau_{K(v)}(v) = 0$ and other values of $\tau_K(v)$ are either positive or infinite.

If $K \neq K(v)$ and $\tau_K(v) < \infty$, then $C(\tau_K(v) - 1, v) \neq C(\tau_K(v), v) = K$. By the rule of determining the candidate, we get $C(\tau_K(v), v) = P(\tau_K(v), w_K(v))$ for some neighbor $w_K(v)$ of the node v . Actually, it might be several neighbors satisfying this condition. Let choose one of them arbitrary. We say that the node v receives (the last bit of) the key K from the node $w_K(v)$.

Proposition 11. $\tau_K(w_K(v)) < \tau_K(v)$.

Proof. The sequence of candidates is non-increasing in the PL order. A participant of a node is a prefix of an earlier candidate of the node (Proposition 5). Therefore the key K is contained in the sequence of the keys passing through the node $w_K(v)$. Moreover, it follows from $C(\tau_K(v), v) = P(\tau_K(v), w_K(v))$ that $\tau_K(w_K(v)) < \tau_K(v)$. \square

Note that $w_K(v)$ is a function of the communication history $H(v, t)$ in the node v for $t \geq \tau_K(v)$.

Thus, to define a function $\pi(H)$ from the definition of a protocol constructing a spanning tree, we set $\pi(H(v, t)) := w_K(v)$, where K is the minimal key among the keys that has passed through the node v up to the moment t . Formally, $K = K_i$ and K_i is in the key sequence for the node v such that $\tau_K(v) \leq t$ and if $K \neq K_{\min}$, then $t < \tau_{K_{i+1}}(v)$. If $K = K(v)$, then $\pi(H(v, t)) = \text{root}$.

At the moment T , when the protocol is finished, the candidate of any node is the minimal key K_{\min} . For the node r having the minimal key, the function $\pi(H(r, T))$ defined above has the value root . In other nodes $\pi(H(v, T))$ points to $w_{K_{\min}}(v)$. Thus $\pi(H(v, T))$ defines a digraph and fan-outs of all nodes are ≤ 1 . Along a directed path in the digraph, the values $\tau_{K_{\min}}(v)$ are strictly decreasing (Proposition 11). So, there are no cycles in the digraph and it is a rooted tree.

This argument completes the proof of Theorem 1.

4 Processor terminating protocols

In this section we prove Theorem 2. To define processor terminating protocols that broadcast the minimal identifier and construct a spanning tree we use the function $\pi(H)$ described in the Subsection 3.5 and a structure relying on this function. For the proofs we also need auxiliary trees in a network. These trees are defined in the next subsection. After that we provide a protocol description and the proof of correctness.

4.1 Dynamic and static trees

An analysis of a protocol proposed below is based on a relation $u = w_K(v)$ “a node v receives a key K from a node u ” and changes of the relation in time. For this purpose we define a digraph $\Gamma(t)$ including in it all edges in the form $(v, \pi(H(v, t))), \pi(H(v, t)) \neq \text{root}$.

Let (v, u) be an edge of the digraph $\Gamma(t)$. It means by definition that $u = w_K(v)$ for some key K and the key K is the minimal (in the PL order) key that has passed through the node v up to a moment t . We say that K is the *edge key* and $\tau_K(v)$ is the *birth date* of the edge.

Initially, $\Gamma(0)$ consists of isolated roots. At the end, as it was shown above, it is a spanning tree. For the proof of correctness we will need a stronger property.

Lemma 4. *The digraph $\Gamma(t)$ is a spanning forest for any t .*

Proof. The fan-outs of the nodes are ≤ 1 in this digraph by construction. Therefore the only cycles in the underlying undirected graph are the directed cycles in the digraph $\Gamma(t)$. To prove that there are no directed cycles we choose an appropriate monotonicity property.

A transition from an edge (v, u) to an edge (u, w) in the digraph $\Gamma(t)$ decreases either the edge key (the sequence of keys is monotone in each node) or the birth date (Proposition 11).

Thus the lengths of directed paths in $\Gamma(t)$ are bounded and the digraph does not contain directed cycles. \square

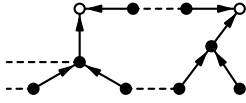


Figure 3: $\Gamma(t)$, $K_2 \prec_{\text{PL}} K_1$

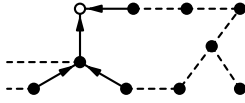


Figure 4: T_{K_1}

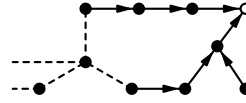


Figure 5: T_{K_2}

Connected components of the digraph $\Gamma(t)$ are rooted trees (the roots are nodes with fan-out 0). We call them *dynamic trees* in the network. By $\Gamma(t, K)$ we denote the connected component that has a root r with the key $K = K(r)$.

In the proof below we will use also *static* trees corresponding to keys. Let $K = K(r)$. Then the vertices of the rooted tree T_K are the nodes such that $\tau_K(v) < \infty$. The node r is the root, a parent of a node v is the node $w_K(v)$. Since $\tau_K(v)$ is decreasing on a move from a child to a parent, the graph T_K is a tree indeed. We call these tree static because they are defined by the whole communication history. For some keys the tree T_K consists of the root with the key K only. For the minimal key K_{\min} the static tree $T_{K_{\min}}$ coincides with the spanning tree constructed by the message terminating protocol from the previous section.

On Figure 3 two components of a dynamic tree $\Gamma(t)$ are shown. Figures 4–5 show the corresponding parts of static trees T_{K_1} and T_{K_2} . The roots of the trees are white circles. Links of the network that are not included in trees are pictured by dashed lines.

It follows from the definition that a node v is included in a tree T_K iff the candidate of the node equals the key K at some moment.

Remark 4. Moreover, an edge (v, u) of a static tree T_K is in the digraph $\Gamma(t)$ at all moments t such that the key K is the PL-minimal key among the keys passed through the node v . This remark will be used in the proof below.

4.2 Description of the processor terminating protocol

The required protocol is combined from three protocols A, B, C . Its operation is divided in stages. During each stage the combined protocol performs one step of each protocol A, B, C in the indicated order. Thus, each protocol is operating 3 times slower. It does not affect the asymptotic bound in Theorem 2. In the sequel, we refer to stages of the combined protocol. After performing t stages of the combined protocol each protocol A, B, C has performed t steps.

The protocol A is the message terminating protocol described in the previous section. It broadcasts the minimal identifier (formally, it broadcasts the minimal key, but an identifier can be recovered by a key).

The second protocol B maintains the spanning forest $\Gamma(t)$ defined in Subsection 3.5. In the protocol B nodes send messages of two types: “I’m a child” and “I’m not a child”.

The first message is sent by a node v at that moment when its candidate $C(t, v)$ becomes a key $K \neq K(v)$. The node v sends this message to the neighbor $w_K(v)$, which sent the last bit of the key K . If the node v has a parent $w \neq w_K(v)$ at this moment (i.e., in the tree $\Gamma(t - 1)$), then the node v also sends the message of the second type to the node w . Otherwise, the node sends no message (formally, the empty message).

Since a step of the protocol A is followed by a step of the protocol B , before a step of the protocol C nodes have correct information about their childs in the forest $\Gamma(t)$.

In the finalizing protocol C each node v checks the *local termination condition*: communication with the neighbors in the protocol A is finished, the empty message is received in the protocol B , and the candidate and all participants of the node v are equal to some key K .

In the protocol C nodes send messages through the edges of the spanning forest $\Gamma(t)$. There are two types of messages: the confirmation (of local finish) message and the termination message. A node also can send no message.

Divide nodes in a dynamic tree $\Gamma(t, K)$ into three groups: the root has fan-out 0, the intermediate nodes have childs (fan-in > 0) and the leaves have no childs (fan-in 0).

Communication in the protocol C starts in leaves. A leaf sends the confirmation message to its parent if the local termination condition became true for the leaf.

An intermediate node collects confirmation messages from its childs. It sends the confirmation message to its parent if it has received confirmations from all its childs and the node itself satisfies the local termination condition.

It is possible that the local termination condition changes the value from true to false: a node exchanged a key with all neighbors but the key is not the minimal one. If the candidate of a node is decreased in the PL order after a step of the protocol A or the node receives the message “I’m not a child” after a step of the protocol B , then the node removes all confirmations received. In further operation, it ignores all incoming confirmations until its candidate becomes a key.

The root also collects confirmations from its childs and checks the local termination condition. The root sends the termination message to all its childs if all childs of the root have sent confirmations and the root satisfies the local termination condition.

The termination messages broadcast from parents to childs through the tree. After sending the termination message a node goes to the final state.

4.3 Correctness of the combined protocol

Lemma 5. *The combined protocol is processor terminating: (1) if a node is in the final state at time t , then the protocol A has finished at time t ; (2) all nodes are in the final state at some moment of time.*

Proof. To prove the first statement of the lemma, we show that if a root of a dynamic tree $\Gamma(t, K)$ sends the termination message, then the tree is spanning.

We say that a confirmation is passed through an edge (v, u) with the edge key K' if at some moment $\tau_{K'}(v) \leq t' < t$ the node v sends the confirmation message to the node u .

Nodes remove confirmations if their candidates decrease or the message “I’m not a child” is received. Thus it is sufficient to take into account only those confirmations that were passed through the edges of the tree $\Gamma(t, K)$ with the current edge keys (but an edge can be in another tree at the moment of passing confirmation).

We conclude from this observation that the root does not send the termination message at moment t if there exists an edge (v, u) of the tree $\Gamma(t, K)$ such that no confirmation has passed through the edge. Indeed, the keys in the roots of trees containing the edge (v, u) form a non-increasing sequence. Therefore, while the edge (v, u) is in the tree $\Gamma(t, K)$, this tree also contains all edges of the path from u to the root and no confirmation was passed through edges of this path. It means that the root does not send the termination message.

If the tree $\Gamma(t, K)$ with the root r is not a spanning tree, then the following cases are possible.

1. $C(t, r) \prec_{\text{PL}} K = K(r)$.
2. Otherwise, $C(t, r) = K$ due to monotonicity of the candidates in a node. But it is possible that the tree $\Gamma(t, K)$ includes edges whose keys differ from K .
3. $C(t, r) = K$ and the edge key is K for each edge in the tree $\Gamma(t, K)$. We assume that the tree is not spanning. Thus, there exist “external links”: between nodes in the tree and outside it (the network itself assumed to be connected). We call *tree neighbors* the endpoints of the second type.
Suppose that the following condition holds: there is no neighbor of the tree $\Gamma(t, K)$ such that its candidate is K at some earlier moment.
4. The last case covers the remaining option. Namely, there exists a neighbor of the tree $\Gamma(t, K)$ such that its candidate is K at some earlier moment.

Case 1. The local termination condition violates in the root r in this case: the candidate differs from a key. Thus the root does not send the termination message.

For all other cases we indicate an edge in the tree $\Gamma(t, K)$ such that no confirmation has been passed through the edge.

Case 2. By definition of a digraph $\Gamma(t)$, the root r has not been in any tree $\Gamma(t', K')$, $t' < t$, $K' \neq K$. It implies that the only possible value of the edge key for an edge (u, r) is K .

Thus, there are two edges in the tree (u, v) , (v, w) such that the first edge key is $K' \neq K$, the second edge key is K , and $K \prec_{\text{PL}} K'$. Indeed, both keys passed through the node v up to the moment t and inequality $K \succ_{\text{PL}} K'$ contradicts the definition of a digraph $\Gamma(t)$.

Show that no confirmation has passed through the edge (v, w) . Suppose the opposite: the node v has sent the confirmation message to the node w at a moment $\tau_K(v) \leq t' < t$. The local termination condition implies $C(t', u) = C(t', v) = C(t', w) = K''$. But $K'' = K$, otherwise the node v has removed this confirmation up to the moment t .

It implies that the key sequence (3) in the node u contains the key $K \prec_{\text{PL}} K'$ and the edge key for the edge (u, v) is less than K' . It contradicts the assumption.

This contradiction completes the argument for this case.

Case 3. Suppose that a confirmation passes through an edge (u, v) . Then the node u satisfies the local termination condition. It implies that candidates of all neighbors are K .

From this observation we conclude that nodes in the tree $\Gamma(t, K)$ having “external links” have not sent the confirmations. (Recall that in the case into

consideration candidates of any neighbor of the tree $\Gamma(t, K)$ differ from K at any moment up to t .)

Case 4. Recall that in this case there are nodes outside the tree $\Gamma(t, K)$ such that their candidates were K at some earlier moments. All these nodes are in the static tree T_K . Choose among them the neighbor w of the tree $\Gamma(t, K)$ that has leaved the dynamic tree with the key K at the earliest moment. Let

$$w = v_0, v_1, \dots, v_k = r \quad (4)$$

be the path in the static tree T_K from w to the root r . Show that no node on the path has sent the confirmation through an edge of this path (with the edge key K).

While the node w is in the dynamic tree with the key K , the conditions of the case 3 hold: there is no neighbor of the tree such that a candidate of the neighbor was K . It guarantees that the node $w = v_0$ has not sent confirmation.

Suppose that confirmations were sent by nodes on the path from w to r at earlier moments than t . Among the nodes, which sent these confirmations, take v_i — the nearest to the node w . As it was shown above, the node v_i differs from w . Therefore there is the preceding node v_{i-1} on the path.

If a node v_{i-1} is a child of a node v_i in $\Gamma(t')$, then the node v_i has not received the confirmation from v_{i-1} .

Otherwise, the candidate $C(t', v_{i-1})$ is lesser than K in the PL order. It implies that either the node v_i does not finish communication or it received the message “I’m not a child” from v_{i-1} .

Both variants contradict the sending of confirmation by the node v_i .

So, no confirmation has been passed through the edges of the path (4). Take the minimal key $K' \preceq_{\text{PL}} K$ that has been passed through the node v_{k-1} . If $K' = K$, then the edge $(v_{k-1}, v_k) = (v_{k-1}, r)$ is in the tree $\Gamma(t, K)$ (see Remark 4) and no confirmation has been passed through the edge. Otherwise, the local termination condition does not hold in the root r because the candidate of v_{k-1} is lesser than K .

This completes our case analysis. So, we have proved that if the tree $\Gamma(t, K)$ is not spanning, then its root does not send the termination message.

To prove the second statement of the lemma, note that the protocol A terminates at some time t' . The graph $\Gamma(t')$ is a spanning tree. All candidates $C(t', v)$ and all participants $P(t', v)$ coincide with the minimal key. Thus all nodes finish communication in the protocol A . It means that in the protocol C the confirmations are transmitted upward. When the root collects the confirmations from all its childs, it sends the termination message. The termination message will broadcast downward. \square

Proof of Theorem 2. The running time of the protocol A is $O(L + D \log L)$ due to Theorem 1. After that all nodes have finished the communication in the protocols A , B and confirmations will broadcast through the spanning tree without delays as well as termination messages. So, an additional time to finish the combined protocol is $O(d)$, where d is the depth of the spanning tree constructed.

To bound the depth of the tree, note that all nodes receive the minimal key in time $O(L + D \log L)$. The depth is not greater than this value. Indeed, the moments of receiving the minimal key are different along a path from the root to a node. After receiving the minimal key the node does not change a parent.

Thus, the running time of the combined protocol is

$$O(L + D \log L) + O(d) = O(L + D \log L).$$

□

Acknowledgments

The authors are thankful to anonymous referees for their numerous valuable comments and suggestions.

References

- [1] Dinitz Y., Moran Sh., Rajsbaum S. Bit complexity of breaking and achieving symmetry in chains and rings // Journal of the ACM, 2008. Vol. 55, no 1. P. 1–28.
- [2] I. M. Khuziev, M. N. Vyalyi. Distributed communication complexity of spanning tree construction. Problems of Information Transmission, 2015, Vol. 51, No. 1, pp. 44–60.
- [3] N.A. Lynch. Distributed algorithms. Morgan Kaufmann Publ., 1996.
- [4] Perlman R. An algorithm for distributed computation of a spanning tree in an extended LAN // ACM SIGCOMM Computer Communication Review 15 (4), 1985. P. 44–53.
- [5] Peleg D., Rubinovich V. A near-tight lower bound on the time complexity of distributed MST construction // SIAM J. on Computing, 2000. Vol. 30. P. 1427–1442.
- [6] Itai A., Rodeh M. Symmetry breaking in distributed networks. // Information and Computation, 1990. Vol. 88, no 1. P. 60–87.
- [7] Wattenhofer R. Principles of distributed computing. 2014.
http://dcg.ethz.ch/lectures/podc_allstars/lecture/podc.pdf