

# Design of an Alarm System for Isfahan's Ozone Level based on Artificial Intelligence Predictor Models

---

Ehsan Lotfi

Department of Computer Engineering, Torbat-e-Jam Branch, Islamic Azad University, Torbat-e-Jam, Iran

Email: [esilotf@gmail.com](mailto:esilotf@gmail.com)

**Abstract-** The ozone level prediction is an important task of air quality agencies of modern cities. In this paper, we design an ozone level alarm system (OLP) for Isfahan city and test it through the real word data from 1/1/2000 to 7/6/2011. We propose a computer based system with three inputs and single output. The inputs include three sensors of solar ultraviolet (UV), total solar radiation (TSR) and total ozone (O<sub>3</sub>). And the output of the system is the predicted O<sub>3</sub> of the next day and the alarm messages. A developed artificial intelligence (AI) algorithm is applied to determine the output, based on the inputs variables. For this issue, AI models, including supervised brain emotional learning (BEL), adaptive neuro-fuzzy inference system (ANFIS) and artificial neural networks (ANNs), are compared in order to find the best model. The simulation of the proposed system shows that it can be used successfully in prediction of major cities' ozone level.

**Keywords** – ozone predictor, artificial intelligence, UV

## 1. Introduction

Prediction of ozone level is an important factor for modern urban management. A proper predictor can help the air quality agencies for decision-making and announcing the alarms. The ozone level can be considered as a chaotic time series. In the literature, there are two approaches for forecasting ozone level, including 1) non-linear differential equation based methods and 2) neural based methods. Mathematical models include kalman filter, ARMA, ARCH and GARCH etc. and Artificial intelligence (AI) methods consist of learning based

methods such as multilayer neural network (ANN), Adaptive Neuro-Fuzzy Inference Systems (ANFIS) [38-44] and the brain emotional learning (BEL). AI methods can learn the behavior of the data by observing the previous values, and can predict the future values. Firstly, this paper aims to design an alarm system of ozone level base on AI models such as BEL. Secondly, here we compare the AI's methods including BEL, ANFIS and ANN in the Isfahan's ozone level prediction task in order to find the best predictor. Isfahan is a modern city of Iran, and the ozone level prediction is very important for its urban management. So we consider the ozone level dataset of Isfahan city as a case study to compare the AI's models.

The organization of the paper is as follows: The proposed system is described in Section 2. The Comparative results are presented in Section 3. Finally the conclusions are made in Section 4.

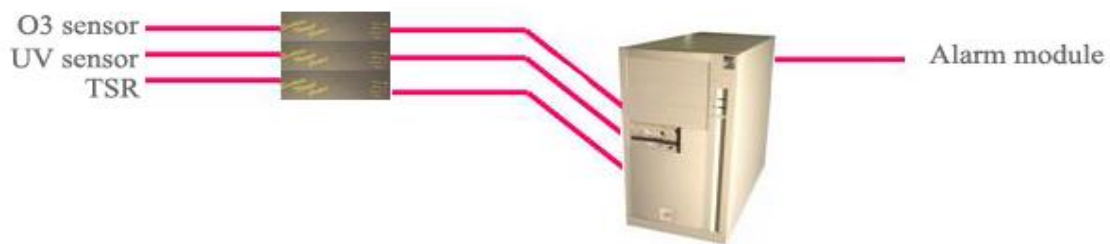


Fig. 1. General view of proposed system

## 2. Proposed system

The geomagnetic studies [47] has shown that solar ultraviolet (UV), total solar radiation (TSR) and current total ozone (O3) can affect the next level of O3. So our system applies them to make the alarms. The general view of proposed system is presented in Fig. 1. The proposed system is very simple. There are three sensors taht fed a program based on AI methods run on the computer. And the computer fed an alarm module or any display or

massaging module. In order to find the best AI model, we compare three well know models of this field, including BEL, ANFIS and ANN.

## 2.1. BEL

The BEL algorithm comes from a neurophysiological aspect of the brain, shows to be a novel proper learning algorithm and is an appropriate online predictor for complex systems. The supervised BEL approach (Lotfi and Akbarzadeh 2013; 2014a; 2014b; 2014c) [10] can learn pattern-target samples and can apply well to prediction problems. Furthermore, BEL profits a decay mechanism for Amygdala and a monotonic learning rule. It is a novel recognizer artifact with very simple structure that is motivated by neurophysiological knowledge of the limbic system of the brain [13-20]. Supervised BEL can be used in pattern recognition, classification, prediction and the fitting problems. The supervised BEL is utilized here to predict the ozone level of Isfahan city, where the low value of ozone is very dangerous.

Fig. 2 shows supervised BEL. It's a feed forward neural network that is based on amygdala-orbitofrontal interacts. The functionality of amygdale is considered as a threshold logic unit. This structure can be distributed as a multi output structure and is considered the target values in learning process. This structure is model free and can be used in multi input multi output classification and prediction problems. The learning algorithm of the model presented in Fig.2, has been described in (Lotfi and Akbarzadeh 2012, 2013). The learning algorithm includes two rules which are as follows:

$$v_j^{k+1} = (1 - \gamma)v_j^k + \alpha \max(t^k - E_a^k, 0)p_j^k \quad (1)$$

$$w_j^{k+1} = w_j^k + \beta(E^k - t^k)p_j^k \quad (2)$$

where  $k$  is learning step,  $\alpha$  and  $\beta$  are learning rates and  $\gamma$  is decay rate in amygdala learning rule, where the  $t^k - E_a^k$  is calculated error. This model has been used in various applications [1-12] and [20-34] and is developed here to predict the ozone level problem.

## 2.2 ANFIS

ANFIS [45] combines the fuzzy approaches and artificial neural networks (ANNs) in order to use the advantages of them. In ANFIS model, the fuzzy rules and membership functions are generated automatically by a neural network learning algorithm. Fig. 3 shows the architecture of Sugeno-type ANFIS. This architecture includes the following five layers; fuzzifier, production, normalized, defuzzy, and output layer.

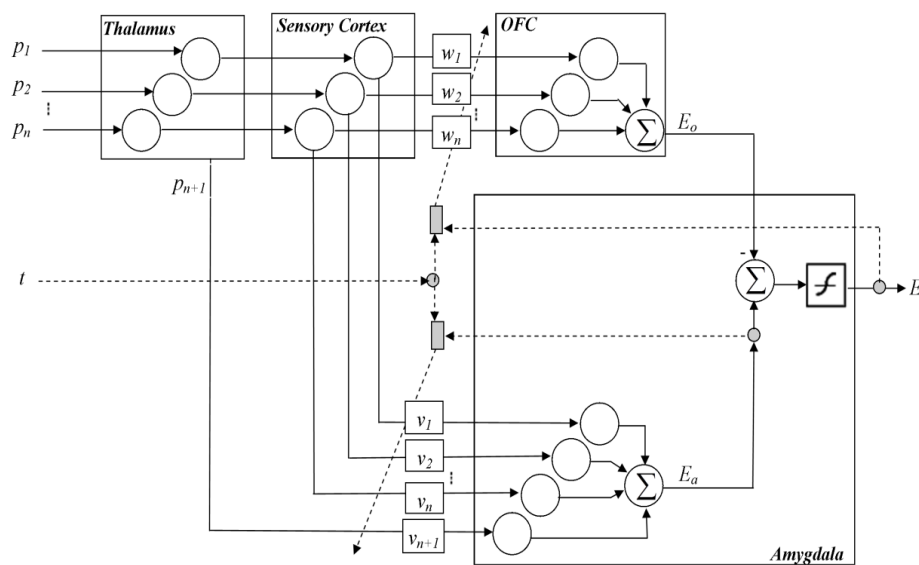


Fig. 2 Three-inputs single output architecture of supervised BEL (Lotfi 2013)

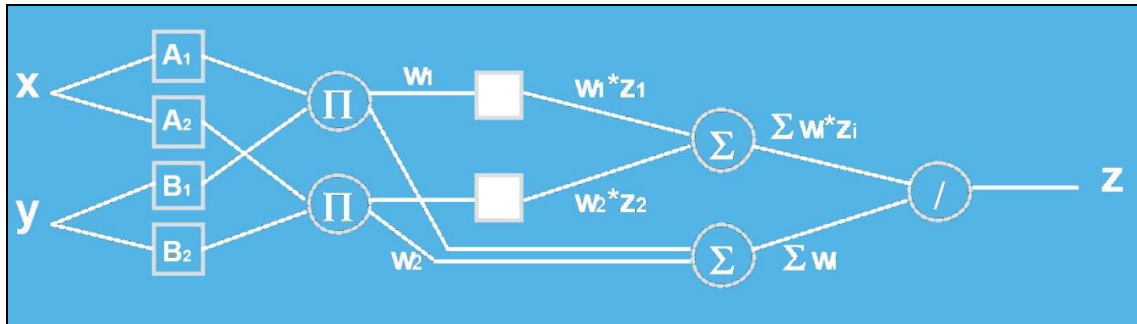


Fig. 3 Architecture of ANFIS

In this sample ANFIS architecture presented in Fig. 3, the learning parameters including  $w_1$ ,  $w_2$ ,  $z_1$ ,  $z_2$  and  $A_1$ ,  $A_2$ ,  $B_1$ ,  $B_2$  should be adjusted. This adjustment is performed by using input-target examples (Jang 1997) [45].

### 2.3 ANN

ANN is inspired by physiological workings of the brain. ANN resembles the actual networks of neural cells (neurons) in the brain. ANN have particular characteristics such as the ability to learn and generalize. ANN learns through the error back propagation algorithm. According to this algorithm, the error of output units is propagated back to adjust the connecting weights within the network. The 2-2-1 architecture of ANN is presented in Fig. 4. It's a two input-single output architecture with two neurons in hidden layer. This architecture has single hidden layer with two hidden neurons.. After learning, the inputs and output of this model involve the following equation,

$$\hat{z}_t = f_{net}(x_t, y_t) \quad (3)$$

Where  $\hat{z}_t$  is predicted  $z$  value at time  $t$ .

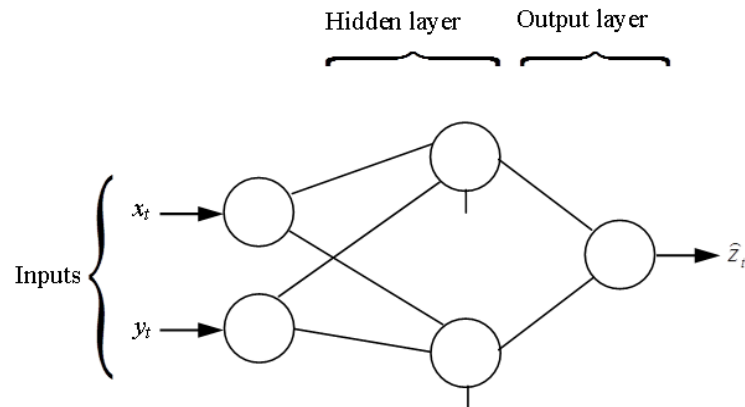


Fig. 4 Architecture 2-2-1 of ANN

### 3. Simulation results

To assess the model, a dataset is obtained from Isfahan's research institutes. The dataset is accessible from [www.bitools.ir](http://www.bitools.ir). The dataset includes the daily ozone level of Isfahan from 1/1/2000 to 7/6/2011. Fig 4 shows the first 500 values of the Isfahan's ozone level time series. The dataset is divided into the three parts; the first is the training set that includes 70% of data selected randomly. And the second is the validating set that is 15% data and the third is testing set where the prediction results are evaluated and it's 15% of the data. Fig. 6 illustrates the comparative results of prediction obtained from BEL, ANN and ANFIS. According to the results the ANFIS shows higher correlation than BEL and ANN. Figs. 7 and 8 show the target and predicted level obtained from BEL and ANN respectively.

Figs. 7 and 8 are the curve of predicted level versus observation from 1/1/2000 to 7/6/2011. As illustrated in the figures, the best COR = 0.80234 is obtained from the BEL model. In these experiments, the models have applied the previous 4 values of each point of ozone level. So the size of input patterns is 4.

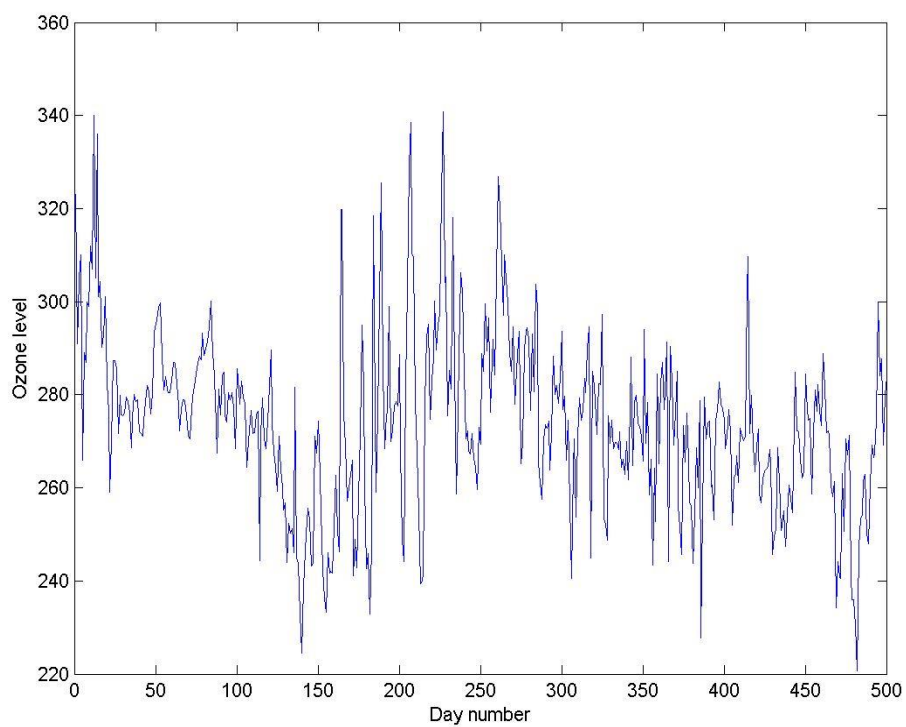


Fig. 5. The ozone level of the first 500 days in Isfahan's dataset.

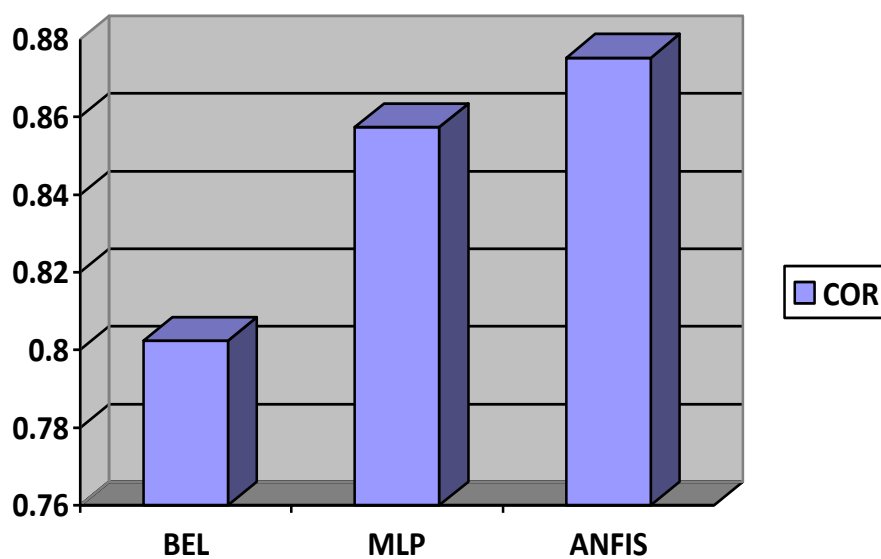


Fig. 6 The correlation comparison between BEL, ANN and ANFIS in the ozone level prediction.

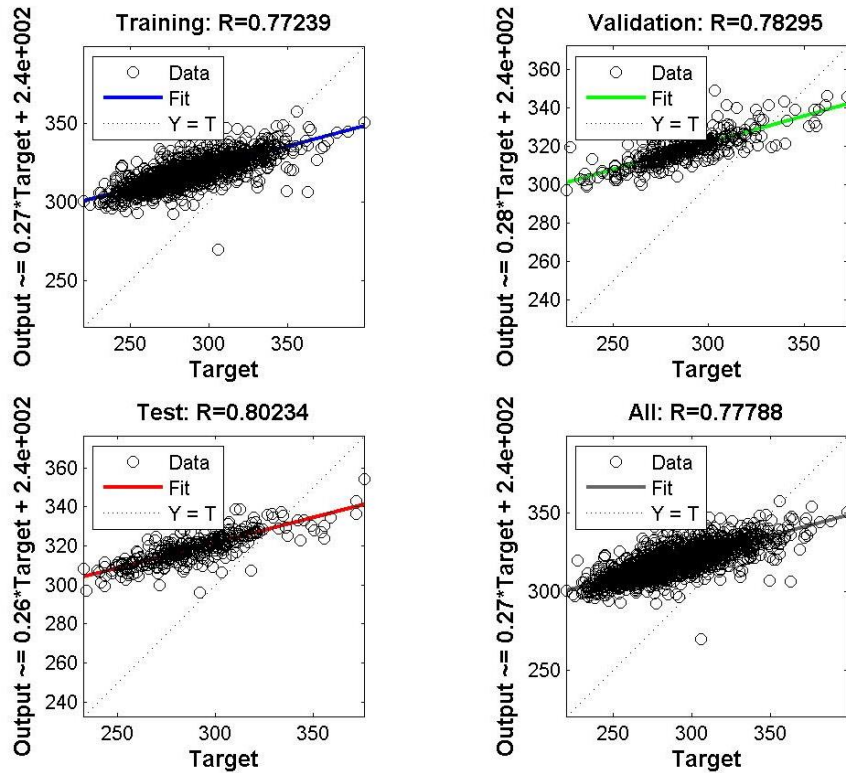


Fig. 7 the correlation of the results obtained from BEL in the training set, test set and validation set.

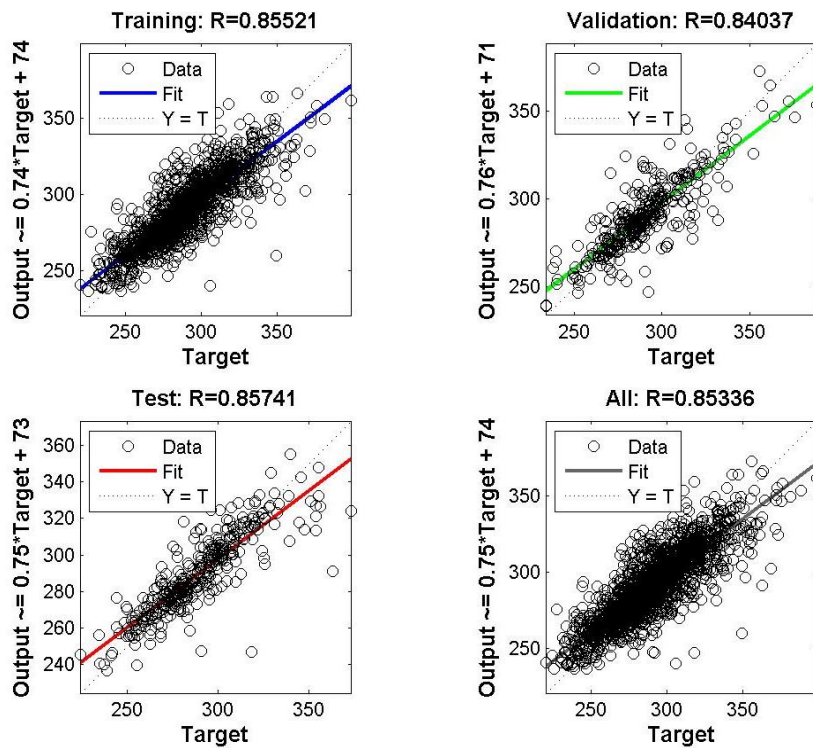


Fig. 8 the correlation of the results obtained from ANN in the training set, test set and validation set.



Thus in the system presented in Fig. 1, ANFIS algorithm is an optimum solution for ozone prediction. The final step of design is associated with determination of a logical threshold on predicted O<sub>3</sub> to set the alarm messages. This threshold should be determined manually and by expert, and system manager.

#### 4. Conclusions

In this paper, firstly we propose a novel alarm system for ozone level. Secondly we develop the BEL algorithm for ozone level prediction task and compare the results of BEL, ANFIS and ANN in order to find the best AI model in the system. In the numerical studies, BEL, ANFIS and ANN is utilized to predict the Isfahan's ozone level. According to the simulations, ANFIS shows higher correlation in the prediction task. ANFIS associated with three input sensors of O<sub>3</sub>, UV and TSR and with a determined threshold can be used as an alarm module for major cities.

#### References

- [1] Lotfi, E., & Akbarzadeh-T, M. R. (2013, July). Emotional Brain-Inspired Adaptive Fuzzy Decayed Learning for online prediction problems. In *Fuzzy Systems (FUZZ), 2013 IEEE International Conference on* (pp. 1-7). IEEE.
- [2] Lotfi, E., Akbarzadeh-T, M. R., 2012. Supervised brain emotional learning. *IEEE Int. Joint Conf. on Neural Networks (IJCNN)*, pp. 1-6, doi: 10.1109/IJCNN.2012.6252391
- [3] Lotfi, E., Akbarzadeh-T., M. R., 2013. Adaptive Brain Emotional Decayed Learning for Online Prediction of Geomagnetic Activity Indices, *Neurocomputing*, doi: 10.1016/j.neucom.2013.02.040
- [4] Wei, H.L., Zhu, D.Q., Billings, S.A., Balikhin, M.A., 2007. Forecasting the geomagnetic activity of the Dst index using multiscale radial basis function networks, *Advances in Space Research*, Vol. 40(12), pp: 1863-1870, doi:10.1016/j.asr.2007.02.080
- [5] Balasis, G., I. A. Daglis, C. Papadimitriou, M. Kalimeri, A. Anastasiadis, and K. Eftaxias, 2009. Investigating dynamical complexity in the magnetosphere using various entropy measures, *J. Geophys. Res.*, Vol. 114, A00D06, doi:10.1029/2008JA014035
- [6] Spencer, E., A. Rao, W. Horton, and M. L. Mays. 2009. Evaluation of solar wind-magnetosphere coupling functions during geomagnetic storms with the WINDMI model, *J. Geophys. Res.*, Vol. 114, A02206, doi:10.1029/2008JA013530
- [7] Wiltberger, M., R. S. Weigel, W. Lotko, and J. A. Fedder, 2009. Modeling seasonal variations of auroral particle precipitation in a global-scale magnetosphere-ionosphere simulation, *J. Geophys. Res.*, Vol. 114, A01204, doi:10.1029/2008JA013108

- [8] Mirmomeni, M., E. Kamaliha, S. Parsapoor and C. Lucas, 2010. Variation of embedding dimension as one of the chaotic characteristics of solar and geomagnetic activity indices. National Academy of Sciences of the Republic of Armenia, pp: 338-349
- [9] Azadeh, A., Asadzadeh, S. M., Mirseraji, G. H., & Saberi, M. (2014). An emotional learning-neuro-fuzzy inference approach for optimum training and forecasting of gas consumption estimation models with cognitive data. *Technological Forecasting and Social Change*.
- [10] Lotfi, E., & Akbarzadeh-T, M. R. (2013). Brain Emotional Learning-Based Pattern Recognizer. *Cybernetics and Systems*, 44(5), 402-421.
- [11] Lotfi, E., & Akbarzadeh-T, M. R. (2014a). Adaptive brain emotional decayed learning for online prediction of geomagnetic activity indices. *Neurocomputing*, 126, 188-196.
- [12] Lotfi, E., & Keshavarz, A. (2014). Gene expression microarray classification using PCA-BEL. *Computers in biology and medicine*, 54, 180-187.
- [13] Lotfi, E., M. R. Akbarzadeh-T., (2014b). Practical emotional neural networks. *Neural Networks*. doi: 10.1016/j.neunet.2014.06.012
- [14] Lotfi, E., Setaveshi, S., & Taimorv, S. (2014c). A neural basis computational model of emotional brain for online visual object recognition. *Applied Artificial Intelligence*, 28(8), 814-834.
- [15] Abdi, J., Moshiri, B., Abdulhai, B., Sedigh, A.K., 2011. Forecasting of short-term traffic flow based on improved neuro-fuzzy models via emotional temporal difference learning algorithm. *Engineering Applications of Artificial Intelligence*, doi:10.1016/j.engappai.2011.09.011
- [16] Lucas, C., Shahmirzadi, D., and Sheikholeslami, N., 2004. Introducing BELBIC: Brain emotional learning based intelligent controller, *Int. J. Intell. Autom. Soft Comput.*, 10, 11-21.
- [17] Goleman, D., 2006. *Emotional intelligence; why it can matter more than IQ*, Bantam.
- [18] Morén, J. and C. Balkenius, 2000. A Computational Model of Emotional Learning in the Amygdala. In: *From Animals to Animats 6: Proceedings of the 6th International Conference on the Simulation of Adaptive Behaviour*, Meyer, J.A., A. Berthoz, D. Floreano, H.L. Roitblat and S.W. Wilson (Eds.). MIT Press, Cambridge, MA., USA., pp: 115-124.
- [19] Balkenius, C., Morén J., 2001. Emotional Learning: A Computational Model of Amygdala, *Cybernetics and Systems*, 32( 6), 611-636.
- [20] Morén, J., 2002. Emotion and learning-A computational model of the Amygdala. Ph.D. Thesis, Department of Cognitive Science, Lund University, Lund, Sweden.
- [21] LeDoux, Joseph E., 1991. Emotion and the limbic system concept, *Concepts Neurosci* 2, 169-199.
- [22] LeDoux, J., 1996. *The Emotional Brain*. Simon and Schuster, New York.
- [23] LeDoux, J. E., 2000. Emotion circuits in the brain. *Annual review of neuroscience*, 23(1), 155-184.
- [24] Chandra M., 2005. Analytical Study of A Control Algorithm Based on Emotional Processing, M.S. Dissertation, Indian Institute of Technology Kanpur.
- [25] Mehrabian, A. R. and Lucas, C., 2005. Emotional Learning based Intelligent Robust Adaptive Controller for Stable Uncertain Nonlinear Systems, *International Journal of Engineering and Mathematical Sciences*, 2(4), 246-252.
- [26] Mehrabian, A. R., Lucas, C., Jafar Roshanian, 2006. Aerospace launch vehicle control: an intelligent adaptive approach, *Aerospace Science and Technology*, Vol. 10, pp: 149-155, doi:10.1016/j.ast.2005.11.002
- [27] Rouhani, H., M. Jalili, B.N. Araabi, W. Eppler and C. Lucas, 2007. Brain emotional learning based intelligent controller applied to neurofuzzy model of micro-heat exchanger. *Expert Syst. Appl.*, Vol. 32, pp: 911-918, doi: 10.1016/j.eswa.2006.01.047
- [28] Jafarzadeh, S., 2008. Designing PID and BELBIC Controllers in Path Tracking Problem, *Int. J. of Computers, Communications & Control*, ISSN 1841-9836, E-ISSN 1841-9844, Vol. III (2008), Suppl. issue: Proceedings of ICCCC 2008, pp. 343-348.
- [29] Samadi, M.; Afzali-Kusha, A.; Lucas, C., 2007. Power management by brain emotional learning algorithm, 22-25 Oct., Guilin, pp: 78 – 81, doi: 10.1109/ICASIC.2007.4415571
- [30] Daryabeigi, E.; Markadeh, G.R.A.; Lucas, C., 2010. Emotional controller (BELBIC) for electric drives — A review, 7-10 Nov., Glendale, AZ, pp: 2901 – 2907, doi: 10.1109/IECON.2010.5674934
- [31] Beheshti, Z., S.Z.M. Hashim, 2010. A review of emotional learning and its utilization in control engineering. *Int. J. Adv. Soft Comput. Appl.*, 2, 191-208.
- [32] Dehkordi, B. M., Parsapoor, A., Moallem, M., & Lucas, C., 2011a. Sensorless speed control of switched reluctance motor using brain emotional learning based intelligent controller. *Energy Conversion and Management*, Vol. 52(1), pp: 85-96. doi: 10.1016/j.enconman.2010.06.046
- [33] Dehkordi, B. M., Kiyoumars, A., Hamedani, P., & Lucas, C. 2011b. A comparative study of various intelligent based controllers for speed control of IPMSM drives in the field-weakening region. *Expert Systems with Applications*, Vol. 38(10), pp: 12643-12653, doi: 10.1016/j.eswa.2011.04.052
- [34] Sadeghieh, A., Sazgar, H., Goodarzi, K., & Lucas, C., 2011. Identification and real-time position control of a servo-hydraulic rotary actuator by means of a neurobiologically motivated algorithm. *ISA transactions*. doi: 10.1016/j.isatra.2011.09.006
- [35] Gholipour, A., C. Lucas and D. Shahmirzadi, 2004. Predicting geomagnetic activity index by brain emotional learning, *WSEAS Trans. Syst.*, 3m, 296-299.
- [36] Parsapoor, M., C. Lucas and S. Setayeshi, 2008. Reinforcement recurrent fuzzy rule based system based on brain emotional learning structure to predict the complexity dynamic system. *Proceedings of the 3rd International Conference on Digital Information Management*, Nov. 13-16, London, pp: 25-32. doi: 10.1109/ICDIM.2008.4746712

- [38] Babaie, T., Karimizandi, Lucas, 2008. Learning based brain emotional intelligence as a new aspect for development of an alarm system, *Soft Comput.*, Vol. 12, pp: 857-873, doi: 10.1007/s00500-007-0258-8
- [39] Khalilian, M., Abedi, A., Deris-Z, A., 2012. Position control of hybrid stepper motor using brain emotional controller, *Energy Procedia*, Vol. 14, pp. 1998–2004, doi: 10.1016/j.egypro.2011.12.1200
- [40] Hamilton J. D., (2008), *Understanding Crude Oil Prices. Policy and Economics*, University of California Energy Institute, UC Berkeley.
- [41] Nashawi S, Malallah A, Al-Bisharah M, (2010), Forecasting World Crude Oil Production Using Multicyclic Hubbert Model. *Energy Fuels*, 24:1788–1800.
- [42] Lotfi, E. (2012). N-bit Parity Implementation based on Binary Neural Networks with O (n/2) Neuron and O (2n) Connection. *Advances in Computer Science and its Applications*, 2(1), 302-305.
- [43] Wang, W., Lu, W., Wang, X., & Leung, A. Y. (2003). Prediction of maximum daily ozone level using combined neural network and statistical characteristics. *Environment International*, 29(5), 555-562.
- [44] Prybutok, V. R., Yi, J., & Mitchell, D. (2000). Comparison of neural network models with ARIMA and regression models for prediction of Houston's daily maximum ozone concentrations. *European Journal of Operational Research*, 122(1), 31-40.
- [45] Abdul-Wahab, S. A., & Al-Alawi, S. M. (2002). Assessment and prediction of tropospheric ozone concentration levels using artificial neural networks. *Environmental Modelling & Software*, 17(3), 219-228.
- [46] Wang, D., & Lu, W. Z. (2006). Forecasting of ozone level in time series using ANN model with a novel hybrid training algorithm. *Atmospheric Environment*, 40(5), 913-924.
- [47] Kumar, U., & De Ridder, K. (2010). GARCH modelling in association with FFT–ARIMA to forecast ozone episodes. *Atmospheric Environment*, 44(34), 4252-4265.
- [48] Yildirim, Y., & Bayramoglu, M. (2006). Adaptive neuro-fuzzy based modelling for prediction of air pollution daily levels in city of Zonguldak. *Chemosphere*, 63(9), 1575-1582.
- [49] Pai, T. Y., Hanaki, K., Su, H. C., & Yu, L. F. (2013). A 24-h Forecast of Oxidant Concentration in Tokyo Using Neural Network and Fuzzy Learning Approach. *CLEAN–Soil, Air, Water*, 41(8), 729-736.
- [50] Jang, J. S. (1993). ANFIS: adaptive-network-based fuzzy inference system. *Systems, Man and Cybernetics, IEEE Transactions on*, 23(3), 665-685.
- [51] Clarke, L. J., & Robinson, S. A. (2008). Cell wall-bound ultraviolet-screening compounds explain the high ultraviolet tolerance of the Antarctic moss, *Ceratodon purpureus*. *New phytologist*, 179(3), 776-783.