

Power law rheology of generalised Maxwell and Kelvin-Voigt models

P. Patrício^{1,2,*}

¹*ISEL - Instituto Superior de Engenharia de Lisboa,
Instituto Politécnico de Lisboa, 1959-007 Lisboa, Portugal.*

²*CFTEC - Centro de Física Teórica e Computacional,
Universidade de Lisboa, Campo Grande, Edifício C8, P-1749-016 Lisboa*
(Dated: January 15, 2018)

We analyse the rheological behaviour of the generalised Maxwell and Kelvin-Voigt models with a power law spectrum of relaxation or retardation times, $\mathcal{H} \sim 1/\tau^\alpha$ or $\mathcal{L} \sim \tau^\alpha$, respectively. When $0 < \alpha < 1$, both models have the same weak power law behaviour, which occur in a variety of soft materials, including living cells. Beyond this region, for other values of α , the two models have different and distinctive rheological behaviours, converging continuously to the 1-element Maxwell and Kelvin-Voigt models, respectively, for $\alpha < -1$ or $\alpha > 2$.

I. INTRODUCTION

In a large variety of soft materials, the elastic and viscous moduli exhibit approximately the same weak power law behaviour, with the angular frequency of the oscillatory deformations, $G'(w) \sim G''(w) \sim w^\alpha$ ($0 < \alpha < 1$). In diluted unentangled polymers, the power law exponent is associated with the relaxation modes of each molecular chain [1–4]. In pre-gel and post-gel polymers, it is associated with percolation and network self-similarity [5–12] (an extensive review is found in [13]). The universality of the weak power law behaviour, even for systems devoid of any obvious fractal structure, like “foams, emulsions, pastes and slurries”, led Sollich and coworkers to propose the phenomenological “Soft Glassy Materials” (SGM) model [14, 15]. Based on the idea of structural disorder and metastability, this model relates the power law exponent to a mean-field noise temperature, closely above the glass transition.

In the context of cell mechanics, the weak power law behaviour of the cytoskeleton has been recently associated with the “Glassy Worm Like Chain” model [16, 17], whose relaxation modes follow essentially the “Worm Like Chain” model for semiflexible polymers, of which the cytoskeleton is composed, but retain nevertheless some analogy with the SGM model (see [18] for a review).

To understand this behaviour, the different models use a microscopic description of the materials to propose a specific spectrum of relaxation or retardation modes. Thus, they may be directly associated with the generalised Maxwell or Kelvin-Voigt models (see Fig. 1) from the linear theory of viscoelasticity [19, 20]. In fact, it is known that we may mathematically translate the relaxation spectrum of the generalised Maxwell model to the retardation spectrum of the generalised Kelvin-Voigt model. The general relation is however non trivial and, in some situations, a spring and/or a dashpot should be added, in parallel for the generalised Maxwell model and

in series for the generalised Kelvin-Voigt model [21].

In this article, we will firstly highlight the fundamental aspects of these interesting and universal weak power law behaviours, in the framework of the linear theory of viscoelasticity. In the following sections, we will make a parallel excursion to the rheological behaviour of the generalised Maxwell and Kelvin-Voigt models, with a power law spectrum of relaxation or retardation times, $\mathcal{H} \sim 1/\tau^\alpha$ or $\mathcal{L} \sim \tau^\alpha$, respectively. When $0 < \alpha < 1$, we will see that these models lead to approximately the same weak power law behaviour, so often encountered in nature. For other values of α , the two models have different and distinctive rheological behaviours, converging continuously to the 1-element Maxwell and Kelvin-Voigt models, respectively, for $\alpha < -1$ or $\alpha > 2$.

II. WEAK POWER LAW RHEOLOGY

In the linear theory of viscoelasticity [20], the relaxation function $G(t)$ is defined through the force response

$$\sigma(t) = \varepsilon_0 G(t) \quad (1)$$

to an applied step deformation $\varepsilon = \varepsilon_0 \Theta(t)$ ($\Theta(t)$ is the step function). Analogously, the creep compliance $J(t)$ is defined through the deformation response

$$\varepsilon(t) = \sigma_0 J(t) \quad (2)$$

to an applied step force $\sigma = \sigma_0 \Theta(t)$.

More generally, if we impose an arbitrary deformation $\varepsilon(t)$, which may be viewed as an infinite sum of small successive step deformations $d\varepsilon(\tau)$, with $0 < \tau < t$, then Boltzmann superposition principle states that the total force exerted on the system may be determined by:

$$\sigma(t) = \int_0^t G(t-\tau) d\varepsilon(\tau) = \int_0^t G(t-\tau) \frac{d\varepsilon(\tau)}{d\tau} d\tau. \quad (3)$$

Similarly, for an imposed general force $\sigma(t)$, the total deformation of the system is given by:

$$\varepsilon(t) = \int_0^t J(t-\tau) \frac{d\sigma(\tau)}{d\tau} d\tau. \quad (4)$$

*Electronic address: pedro.patricio@adf.isel.pt

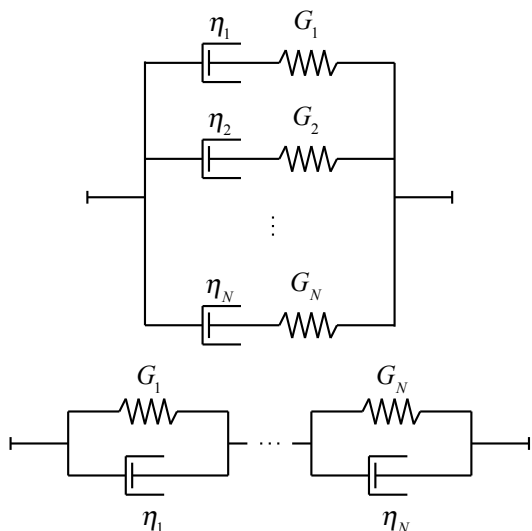


FIG. 1: Generalised Maxwell (top) and Kelvin-Voigt (bottom) models. The generalised Maxwell model is composed of a collection of Maxwell elements in parallel, each made out of a dashpot of drag coefficient η_i in series with a spring of stiffness G_i . Each Maxwell element corresponds to a different relaxation mode, with relaxation time $\tau_i = \eta_i/G_i$. The generalised Kelvin-Voigt model is composed of a collection of Kelvin-Voigt elements in series, each made out of a dashpot in parallel with a spring. Each Kelvin-Voigt element corresponds to a different retardation mode, with retardation time $\tau_i = \eta_i/G_i$.

If the system is subjected to an oscillatory deformation $\varepsilon(t) = \varepsilon_0 e^{i\omega t}$ or force $\sigma(t) = \sigma_0 e^{i\omega t}$, two important rheological assays, its response is given, respectively, by

$$\sigma(t) = \varepsilon_0 G^* e^{i\omega t}, \quad (5)$$

where $G^* = G' + iG''$ is the complex modulus, or,

$$\varepsilon(t) = \sigma_0 J^* e^{i\omega t}, \quad (6)$$

where $J^* = J' - iJ''$ is the complex compliance. G' (J') and G'' (J'') are defined as the elastic and viscous moduli (compliances).

The Boltzmann superposition principle, expressed by Eq. (3) and (4), allows us to relate the different rheological functions through:

$$G^*(w) = (i\omega)\tilde{G}(i\omega) = \frac{1}{(i\omega)\tilde{J}(i\omega)} = \frac{1}{J^*(w)} \quad (7)$$

where the Laplace transform is given by $\tilde{f}(s) = \int_0^\infty f(t)e^{-st}dt$.

From these relations it may be made clear that any relaxation function with a weak power law behaviour:

$$G(t) \sim \frac{1}{t^\alpha} \quad (0 < \alpha < 1) \quad (8)$$

will necessarily lead to the weak power law behaviours of the elastic and viscous moduli. Indeed, the relaxation

function is necessarily a decreasing function of time, implying $\alpha > 0$. For $\alpha < 1$, its Laplace transform is given by $\tilde{G}(s) \sim s^{\alpha-1}$, the complex modulus becomes $G^*(w) \sim (i\omega)^\alpha = w^\alpha e^{i\pi\alpha/2}$, yielding

$$G'(w) \sim G''(w) \sim w^\alpha, \quad \frac{G''}{G'} = \tan \frac{\pi\alpha}{2} \quad (9)$$

It should be noted that, in these conditions ($0 < \alpha < 1$), $\tilde{J}(s) \sim 1/s^{\alpha+1}$ and the creep compliance, which is necessarily an increasing function of time, is given by

$$J(t) \sim t^\alpha. \quad (10)$$

These are the fundamental features of the weak power law rheology. A system with this type of behaviour is considered to be solid like whenever $0 < \alpha < 0.5$ (because $G''/G' < 1$) and fluid like whenever $0.5 < \alpha < 1$ (as $G''/G' > 1$).

In the following sections, we will see that these weak power law behaviours, with ($0 < \alpha < 1$), are found in systems described by the generalised Maxwell or Kelvin-Voigt models with a power law spectrum of relaxation or retardation times, $\mathcal{H} \sim 1/\tau^\alpha$ or $\mathcal{L} \sim \tau^\alpha$, respectively. These spectra are however well defined for all values of α . For $\alpha < 0$, or $\alpha > 1$, we will see that these two models have different and distinctive rheological behaviours, converging continuously to the 1-element Maxwell and Kelvin-Voigt models, respectively, for $\alpha < -1$ or $\alpha > 2$.

III. GENERALISED MAXWELL MODEL

We consider first a generalised Maxwell model (see Fig. 1, top) composed of a parallel array of N Maxwell viscoelastic elements. Each Maxwell element is composed of a dashpot and a spring in series. These are the basic elements of the linear theory of viscoelasticity. A spring of stiffness G follows Hooke's law, $\sigma = G\varepsilon$, and a dashpot of drag coefficient η follows Newton's law, $\sigma = \eta\dot{\varepsilon} = \eta d\varepsilon/dt$. As a result, the Maxwell element behaves elastically on small times scales and as a fluid on long ones. Its relaxation function is $G(t) = G e^{-t/\tau}$, where $\tau = \eta/G$ is the element relaxation time.

Because the Maxwell elements are in parallel, the total relaxation function is just the sum:

$$G(t) = \sum_{i=1}^N G_i e^{-t/\tau_i} \quad (11)$$

This sum may be approximated by an integral by multiplying it by $di = 1$. If di is considered to be small, we have:

$$G(t) \approx \int_{\tau_1}^{\tau_N} G_\tau e^{-t/\tau} \frac{di}{d\tau} d\tau \quad (12)$$

The derivative $di/d\tau$ corresponds to the density of modes (per unit relaxation time). Choosing the change of variables $\zeta = 1/\tau$, and for t between the minimum and

maximum relaxation times, τ_{\min} and τ_{\max} , this integral approaches a Laplace transform. To establish the weak power law behaviour $G(t) \sim 1/t^\alpha$ (with $0 < \alpha < 1$), the relaxation spectrum must scale as

$$\mathcal{H}(\tau) \equiv G_\tau \frac{di}{d\tau} \tau \sim \frac{1}{\tau^\alpha} \quad (13)$$

As with other rheological functions, the relaxation spectrum of a viscoelastic fluid characterises its rheological behaviour. Because $\mathcal{H}(\tau)$ is defined in terms of an arbitrary choice of stiffnesses, G_τ , and density of modes, $di/d\tau$, the relaxation spectrum is not subjected to any constraint, and α may assume any value.

To understand the rheological behaviour of a material with a general power law spectrum of relaxation times, we will determine the corresponding elastic and viscous moduli. After performing a Laplace transform and using relations (7), we have

$$G'(w) \sim \int_{\tau_{\min}}^{\tau_{\max}} \frac{1}{\tau^\alpha} \frac{(w\tau)^2}{1 + (w\tau)^2} \frac{d\tau}{\tau} \quad (14)$$

$$G''(w) \sim \int_{\tau_{\min}}^{\tau_{\max}} \frac{1}{\tau^\alpha} \frac{w\tau}{1 + (w\tau)^2} \frac{d\tau}{\tau}. \quad (15)$$

For $w \ll 1/\tau_{\max}$, the integrals (14) and (15) are much simplified, and we obtain $G' \sim w^2$ and $G'' \sim w^1$. For $w \gg 1/\tau_{\min}$, we have simply $G' \sim w^0$ and $G'' \sim w^{-1}$. These scalings correspond to the scalings of the 1-element Maxwell model, both for small and large w .

For $1/\tau_{\max} \ll w \ll 1/\tau_{\min}$, we may extend the limits of the integrals (14) and (15) to $\tau_{\min} \rightarrow 0$ and $\tau_{\max} \rightarrow \infty$, which allow us to obtain the results:

$$G'(w) \sim \frac{\pi}{2} w^\alpha \csc \frac{\pi\alpha}{2} \quad (\text{if } 0 < \alpha < 2) \quad (16)$$

$$G''(w) \sim \frac{\pi}{2} w^\alpha \sec \frac{\pi\alpha}{2} \quad (\text{if } -1 < \alpha < 1). \quad (17)$$

When $0 < \alpha < 1$, both integrals are well defined and we recover the weak power law behaviours of Eq. (9), as expected. If $\alpha < 0$, the integral (14) for the elastic modulus diverges as $\tau_{\min} \rightarrow 0$. The elastic modulus is then dominated by the smallest relaxation time, and we have $G' \sim w^0$. On the contrary, if $\alpha > 2$, then this integral is dominated by the largest relaxation time, and we have $G' \sim w^2$. By the same line of reasoning, we may determine from Eq. (15) the power law behaviours $G'' \sim w^{-1}$ for $\alpha < -1$ and $G'' \sim w^1$ for $\alpha > 1$.

Applying these results to each interval of α , we obtain the interesting power law behaviours:

$$G' \sim w^0 \quad G'' \sim w^{-1} \quad (\alpha < -1) \quad (18)$$

$$G' \sim w^0 \quad G'' \sim w^\alpha \quad (-1 < \alpha < 0) \quad (19)$$

$$G' \sim w^\alpha \quad G'' \sim w^\alpha \quad (0 < \alpha < 1) \quad (20)$$

$$G' \sim w^\alpha \quad G'' \sim w^1 \quad (1 < \alpha < 2) \quad (21)$$

$$G' \sim w^2 \quad G'' \sim w^1 \quad (2 < \alpha) \quad (22)$$

We note that for $\alpha < -1$ or $\alpha > 2$, the rheological response of the material is entirely dominated by only

one Maxwell element, corresponding respectively to the maximum or minimum relaxation times.

To plot representative elastic and viscous moduli vs w , for different values of α , we used the discrete generalised Maxwell model, with well defined N relaxation modes. The power law relaxation spectrum of Eq. (11) may be implemented from two independent functions, G_τ and $di/d\tau$. So, one of them may be chosen arbitrarily.

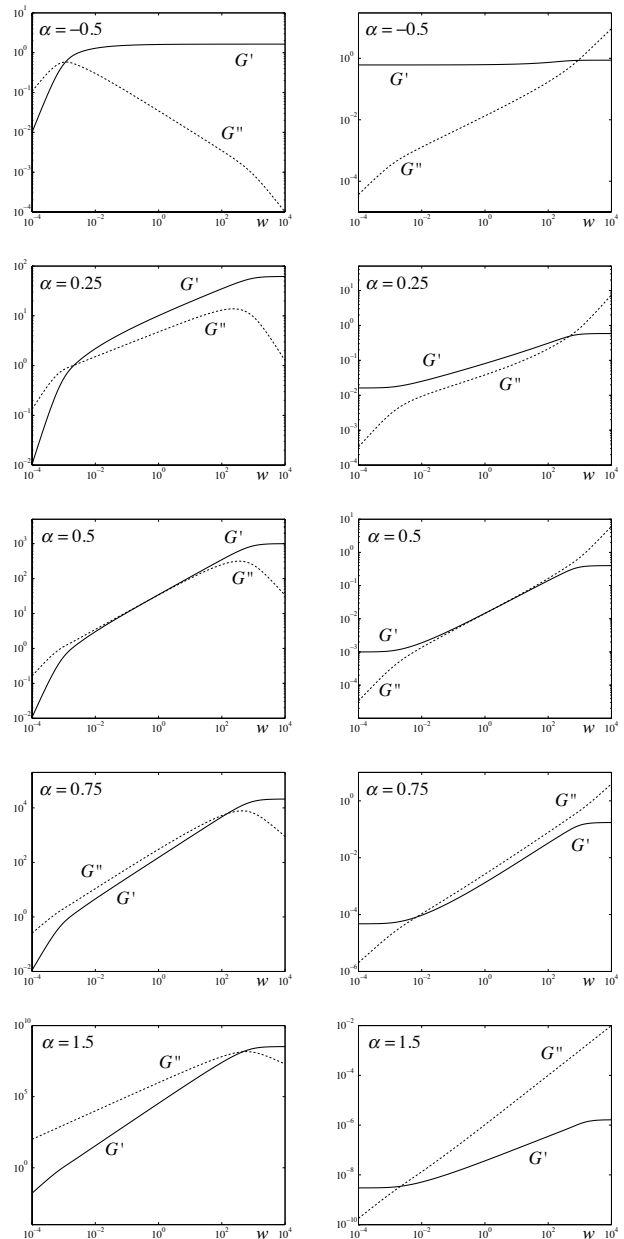


FIG. 2: Elastic and viscous moduli, $G'(w)$ (solid line) and $G''(w)$ (dashed line) (in units of G) obtained from the generalised Maxwell relaxation spectrum of Eq. (23) (left) and the generalised Kelvin-Voigt retardation spectrum of Eq. (39) (right), for $\alpha = -0.5, 0.25, 0.5, 0.75, 1.5$ (top to bottom), $\tau_{\min} = 10^{-3}$, $\tau_{\max} = 10^3$ (in arbitrary units), and $N = 10^3$.

An interesting choice consists of assuming the power law behaviour $G_i = Gi^\beta$ for the stiffnesses. In this case, the power law spectrum of relaxation times is recovered through:

$$\tau_i = \frac{\tau_1}{i^{(1+\beta)/\alpha}} \quad (G_i = Gi^\beta), \quad (23)$$

independently of our choice of β (the density of modes $di/d\tau$ is easily obtained from Eq. (23)).

Mathematically, this choice allows us to define not only the time relaxation limits, τ_{\max} , τ_{\min} , but also the exact number of elements N we want to use, for any α . We just have to take $\tau_1 = \tau_{\max}$ and $\beta = (\alpha \ln(\tau_{\max}/\tau_{\min})/\ln N) - 1$.

If we use the Laplace transform of Eq. (11), we obtain, without approximation, the well-known elastic and viscous moduli of the generalised Maxwell model, for any choice of discrete relaxation spectra:

$$G'(w) = \sum_{i=1}^N G_i \frac{(w\tau_i)^2}{1 + (w\tau_i)^2} \quad (24)$$

$$G''(w) = \sum_{i=1}^N G_i \frac{w\tau_i}{1 + (w\tau_i)^2}. \quad (25)$$

Figure 2 (left) shows the elastic and viscous moduli, $G'(w)$ and $G''(w)$ for $\alpha = -0.5, 0.25, 0.5, 0.75, 1.5$, $\tau_{\min} = 10^{-3}$, $\tau_{\max} = 10^3$ (in arbitrary units), and $N = 10^3$. To obtain these plots, we have used the sums of Eq. (24) and (25), together with the discrete relaxation spectrum defined by Eq. (23).

As it may be seen from this figure, we recover the global behaviour previously described in the analysis of the continuous relaxation spectrum. However, the referred power law exponents (including those of Eq. (9)) correspond only to an approximation (they would be valid for $\tau_{\min} \rightarrow 0$ and $\tau_{\max} \rightarrow \infty$), we show in Fig. 3 the numerically converged (we have increased N to verify it) computed values, established in the interior range $10^{-1} < w < 10^1$. It is important to mention that the exponent of G' is always greater than the exponent of G'' , even in the region $0 < \alpha < 1$, where they assume almost identical values. This is a distinctive feature of the generalised Maxwell model.

It should be noted that we have performed the same calculations for different numbers of elements. The possibility of changing β allows us to have a good approximation of the power law behaviours even for a reduced number of elements ($N > 10$). Nevertheless, as the number of elements diminishes, some oscillations of the elastic and viscous moduli start to appear.

IV. GENERALISED KELVIN-VOIGT MODEL

We now turn to the generalised Kelvin-Voigt model (see Fig. 1, bottom) composed of a serial array of N

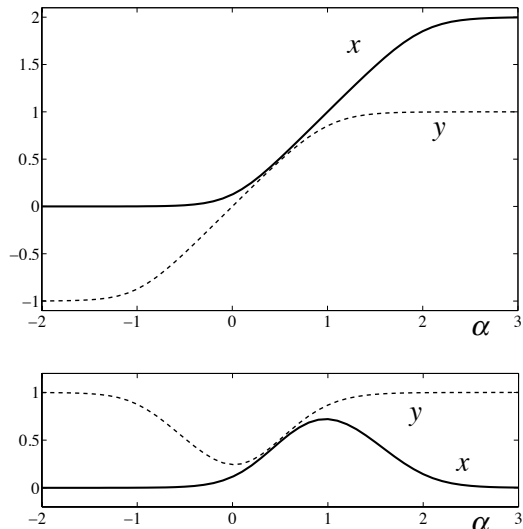


FIG. 3: Exponents x and y vs α of the power laws $G' \sim w^x$ and $G'' \sim w^y$, obtained from the generalised Maxwell relaxation spectrum of Eq. 23 (top) and the generalised Kelvin-Voigt retardation spectrum of Eq. 39 (bottom), with $\tau_{\min} = 10^{-3}$, $\tau_{\max} = 10^3$ (in arbitrary units), and $N = 10^3$. These exponents were computed numerically, for every α , in the interior range $10^{-1} < w < 10^1$.

Kelvin-Voigt viscoelastic elements. Each Kelvin-Voigt element is composed of a dashpot of drag coefficient η_i in parallel with a spring of stiffness G_i . It behaves elastically on long times scales and its dynamics comes from the viscous element. Its creep compliance is $J_i(t) = J_i(1 - e^{-t/\tau_i})$, where $J_i = 1/G_i$ and $\tau_i = \eta_i/G_i$ is the element retardation time. Because the Kelvin-Voigt elements are in series, the total creep compliance is just the sum:

$$J(t) = \sum_{i=1}^N J_i(1 - e^{-t/\tau_i}) \quad (26)$$

This sum may be approximated by the integral:

$$J \approx \int_{\tau_1}^{\tau_N} J_\tau (1 - e^{-t/\tau_i}) \frac{di}{d\tau} d\tau \quad (27)$$

If we want to establish the weak power law dependence $J_{GK} \sim t^\alpha$, the retardation spectrum must then scale as

$$\mathcal{L}(\tau) \equiv J_\tau \frac{di}{d\tau} \tau \sim \tau^\alpha \quad (28)$$

As before, the exponent α of the retardation spectrum may assume any value.

To understand the rheological behaviour of a material with a general power law spectrum of retardation times, we will determine the corresponding elastic and viscous moduli. After performing a Laplace transform and using

relations (7), we first obtain

$$J'(w) \sim \int_{\tau_{\min}}^{\tau_{\max}} \tau^\alpha \frac{1}{1 + (w\tau)^2} \frac{d\tau}{\tau} \quad (29)$$

$$J''(w) \sim \int_{\tau_{\min}}^{\tau_{\max}} \tau^\alpha \frac{w\tau}{1 + (w\tau)^2} \frac{d\tau}{\tau} \quad (30)$$

The elastic and viscous moduli may then be determined from the relations:

$$G' = \frac{J'}{J'^2 + J''^2}, \quad G'' = \frac{J''}{J'^2 + J''^2} \quad (31)$$

For $w \ll 1/\tau_{\max}$, the integrals of Eq. 29 and 30 are much simplified, and we obtain the scalings $J' \sim w^0$ and $J'' \sim w^1$, with $J' \gg J''$. The elastic and viscous moduli scale as $G' \approx 1/J' \sim w^0$ and $G'' \approx J''/J'^2 \sim w^1$. For $w \gg 1/\tau_{\min}$, the same integrals are again simplified, yielding the scalings $J' \sim w^{-2}$ and $J'' \sim w^{-1}$, with $J' \ll J''$. We obtain then the same scalings for the elastic and viscous moduli: $G' \approx J'/J''^2 \sim w^0$ and $G'' \approx 1/J'' \sim w^1$. The coefficients of G' and G'' are dependent of α but their scalings are not. In fact, the exponents of w coincide with the scalings of a simple Kelvin-Voigt model.

For $1/\tau_{\max} \ll w \ll 1/\tau_{\min}$, we may in some cases extend the limits of the integrals of Eq. (29) and (30) to $\tau_{\min} \rightarrow 0$ and $\tau_{\max} \rightarrow \infty$, which allows us to obtain the results:

$$J'(w) \sim \frac{\pi}{2} w^{-\alpha} \csc \frac{\pi\alpha}{2} \quad (\text{if } 0 < \alpha < 2) \quad (32)$$

$$J''(w) \sim \frac{\pi}{2} w^{-\alpha} \sec \frac{\pi\alpha}{2} \quad (\text{if } -1 < \alpha < 1) \quad (33)$$

When $0 < \alpha < 1$, both integrals are well defined and we recover the weak power law behaviours of Eq. (9).

If $\alpha < 0$, the integral for the elastic compliance (Eq. (29)) diverges as $\tau_{\min} \rightarrow 0$. The elastic compliance is then dominated by the smallest retardation time. In this case, we have $w\tau_n \ll 1$, and $J' \sim w^0$. On the contrary, if $\alpha > 2$, then this integral is dominated by the largest retardation time, τ_{\max} . We have $w\tau_1 \gg 1$, and the power law behaviour $J' \sim w^{-2}$. By the same line of reasoning, we may determine from Eq. (30) the power law behaviours $J'' \sim w^1$ for $\alpha < -1$ and $J'' \sim w^{-1}$ for $\alpha > 1$. Applying these results to each interval of α , and using the approximations $J' \gg J''$ for $\alpha < 0$ and $J' \ll J''$ for $\alpha > 1$ (which we may infer from Eq. (32) and (33)), we obtain the power law behaviours:

$$G' \sim w^0 \quad G'' \sim w^1 \quad (\alpha < -1) \quad (34)$$

$$G' \sim w^0 \quad G'' \sim w^{-\alpha} \quad (-1 < \alpha < 0) \quad (35)$$

$$G' \sim w^\alpha \quad G'' \sim w^\alpha \quad (0 < \alpha < 1) \quad (36)$$

$$G' \sim w^{1-\alpha} \quad G'' \sim w^1 \quad (1 < \alpha < 2) \quad (37)$$

$$G' \sim w^0 \quad G'' \sim w^1 \quad (2 < \alpha) \quad (38)$$

We note that for $\alpha < -1$ or $\alpha > 2$, we have a single power law behaviour for $G' \sim w^0$ and $G'' \sim w^1$, for all values of the angular frequency w . Indeed, for these ranges of

α , the whole structure is entirely dominated by only one Kelvin-Voigt element, corresponding respectively to the minimum ($\alpha < -1$) or the maximum ($\alpha > 2$) retardation times.

To plot representative elastic and viscous moduli vs w , for different values of α , we used the discrete generalised Kelvin-Voigt model, with N well defined retardation modes. Again, the power law retardation spectrum of Eq. (28) may be implemented by two independent functions, $J_\tau = 1/G_\tau$ and $di/d\tau$. So, one of them may be chosen arbitrarily.

If we choose the power law behaviour $J_i = J_i^\beta$ the condition given by Eq. 28 implies the following discrete spectrum of retardation times:

$$\tau_i = \tau_1 i^{(1+\beta)/\alpha} \quad (J_i = J_i^\beta) \quad (39)$$

For a given set of τ_{\max} , τ_{\min} , α , we are able to construct the weak power law behaviours of Eq. (9) from a generalised Kelvin-Voigt model with N modes by making $\tau_1 = \tau_{\min}$ and $\beta = (\alpha \ln(\tau_{\max}/\tau_{\min})/\ln N) - 1$.

The exact elastic and viscous compliances are given through the Laplace transform of Eq. (26):

$$J'(w) = \sum_{i=1}^N J_i \frac{1}{1 + (w\tau_i)^2} \quad (40)$$

$$J''(w) = \sum_{i=1}^N J_i \frac{w\tau_i}{1 + (w\tau_i)^2} \quad (41)$$

In order to determine the elastic and viscous moduli we use Eq. (31).

Figure 2 (right) shows the elastic and viscous moduli, $G'_{GK}(w)$ and $G''_{GK}(w)$ for $\alpha = -0.5, 0.25, 0.5, 0.75, 1.5$, $\tau_{\min} = 10^{-3}$, $\tau_{\max} = 10^3$ (in arbitrary units), and $N = 10^3$. To obtain them, we have used the sums of Eq. (40) and (41), together with the discrete retardation spectrum defined by Eq. (39).

As it may be seen, we recover the global behaviour previously described in the analysis of the continuous retardation spectrum. As these power law exponents correspond only to an approximation, only valid as $\tau_{\min} \rightarrow 0$ and $\tau_{\max} \rightarrow \infty$, we show in Fig. 3 the numerically converged computed values, established in the interior range $10^{-1} < w < 10^1$. We note that the exponent of G'' is always greater than the exponent of G' . This is a distinctive feature of the generalised Kelvin-Voigt model. This inversion in the values of the slopes is reflected also in the intersection points of G' and G'' (see Fig. 2, right and left). If the intersection takes place at small values of w , for the generalised Maxwell model (when $\alpha < 0.5$), it occurs at large values of w for the generalised Kelvin-Voigt model (for the same value of α) and vice versa.

V. CONCLUSION

In this article, we have focused on the interesting weak power law behaviours $G'(w) \sim G''(w) \sim w^\alpha$ ($0 < \alpha < 1$)

that occur in a large variety of soft materials. They may appear in diluted, fluid systems, encompassing both the Brownian motion of elastic chains in a solvent, modelling unentangled polymers, or the important SGM model, that describes fluid behaviour above the glass transition. The weak power law behaviours may also occur in gelled, elastic systems, made out of polymeric networks, which retain two important characteristics of the cell's cytoskeleton, namely the idea of an existing pre-stress on its fibres, and the idea of a possible fractal structure, characterised by a power law distribution of elastic element lengths and retardation times [22]. The cytoskeleton is however a very complex active structure, and exhibits other important rheological properties that are not considered here, such as stress stiffening [23] or a new power law exponent (of 3/4) for higher frequencies, usually associated with the rheological behaviour of

diluted semi-flexible filaments [24].

Particularly interesting, we find that beyond the region corresponding to the weak power law behaviours ($\alpha < 0$ or $\alpha > 1$), the generalised Maxwell and Kelvin-Voigt models give very different and distinctive rheological behaviours, converging continuously to the 1-element Maxwell and Kelvin-Voigt models, respectively, for $\alpha < -1$ or $\alpha > 2$.

Acknowledgements

We thank C. R. Leal, J. Duarte, C. Januário, J. M. Tavares and P. I. C. Teixeira for stimulating discussions. We thank P. I. C. Teixeira for linguistic assistance.

-
- [1] P. E. Rouse Jr, *The Journal of Chemical Physics* **21**, 1272 (1953).
- [2] B. H. Zimm, *The journal of chemical physics* **24**, 269 (1956).
- [3] M. Doi and S. F. Edwards, *The theory of polymer dynamics*, vol. 73 (oxford university press, 1988).
- [4] M. Rubinstein and R. Colby, *Polymers Physics* (Oxford, 2003).
- [5] P.-G. De Gennes, *Journal de Physique Lettres* **37**, 1 (1976).
- [6] M. Cates, *Journal de Physique* **46**, 1059 (1985).
- [7] M. Muthukumar, *The Journal of chemical physics* **83**, 3161 (1985).
- [8] H. H. Winter and F. Chambon, *Journal of Rheology* (1978-present) **30**, 367 (1986).
- [9] F. Chambon and H. H. Winter, *Journal of Rheology* (1978-present) **31**, 683 (1987).
- [10] M. Muthukumar, *Macromolecules* **22**, 4656 (1989).
- [11] N. Goldenfeld and P. Goldbart, *Physical Review A* **45**, R5343 (1992).
- [12] F. Tanaka, *Polymer Physics: Applications to Molecular Association and Thermoreversible Gelation* (Cambridge University Press, 2011).
- [13] H. H. Winter and M. Mours, in *Neutron spin echo spectroscopy viscoelasticity rheology* (Springer, 1997), pp. 165–234.
- [14] P. Sollich, F. Lequeux, P. Hébraud, and M. E. Cates, *Physical review letters* **78**, 2020 (1997).
- [15] P. Sollich, *Physical Review E* **58**, 738 (1998).
- [16] K. Kroy and J. Glaser, *New Journal of Physics* **9**, 416 (2007).
- [17] L. Wolff, P. Fernandez, and K. Kroy, *New Journal of Physics* **12**, 053024 (2010).
- [18] R. H. Pritchard, Y. Y. S. Huang, and E. M. Terentjev, *Soft matter* **10**, 1864 (2014).
- [19] R. Christensen, *Theory of viscoelasticity: an introduction* (Elsevier, 2012).
- [20] N. Phan-Thien, *Understanding Viscoelasticity: An Introduction to Rheology* (Springer Science & Business Media, 2012).
- [21] R. S. Lakes, *Viscoelastic solids*, vol. 9 (CRC press, 1998).
- [22] P. Patrício, C. Leal, J. Duarte, and C. Januário, *Physical Review E* **92**, 040702 (2015).
- [23] P. Fernández, P. A. Pullarkat, and A. Ott, *Biophysical journal* **90**, 3796 (2006).
- [24] L. Deng, X. Trepatt, J. P. Butler, E. Millet, K. G. Morgan, D. A. Weitz, and J. J. Fredberg, *Nature materials* **5**, 636 (2006).