

# Berry Curvature Renormalization

Wei Chen

*Theoretische Physik, ETH-Zürich, CH-8093 Zürich, Switzerland*

(Dated: December 6, 2018)

A scaling scheme for the Berry curvature in topological insulators and superconductors is proposed, from which the topological phase transition can be identified from the flow of the energy scales (hopping, chemical potential, etc.) that control the topology under scaling. At an infinitesimal operation, one obtains the renormalization group (RG) equations for the energy scales in the form of differential equations. A length scale defined from the Berry curvature is suggested to characterize the scale invariance at the critical point.

PACS numbers: 64.60.ae, 64.60.F-, 73.20.-r, 74.90.+n

*Introduction.*- Given the great number of topological insulators (TI) and topological superconductors (TSC) of various symmetry classes[1, 2] discovered or proposed[3–11], where the transition from topologically trivial to nontrivial phases can in general be triggered by varying all kinds of energy scales, e.g., chemical potential[12–15], hopping[16], interface coupling[17–26], etc., an intriguing question is whether a certain universal scaling scheme is available to study the topological phase transitions driven by any energy scale. Drawing analogy from the Landau order parameter paradigm, where phase transitions can be identified from the RG flow of the driving energy scale, e.g., the exchange coupling in the Ising model[27], it would be of tremendous usage if the scaling scheme for TI and TSC also renormalizes the driving energy scale. The proposal related to entanglement entropy first shed a light on this issue[28–30]. On the other hand, since a prominent feature of TI and TSC is the finite Berry curvature[31, 32], whose integration gives the topologically invariant winding number[33, 34], it is natural to suspect that a certain scaling scheme that renormalizes the Berry curvature can be used to judge topology. If such a scaling scheme exists and gives a RG flow of the driving energy scale, the following features are anticipated: (1) The fix point in the parameter space of the driving energy scale has a particular configuration of Berry curvature that is invariant under the scaling procedure. (2) Any point in the parameter space flows into some fix point while preserving the winding number during the flow. (3) Different fix points correspond to different winding numbers.

In this Letter, we propose a scaling procedure that satisfies these criteria. Let  $F(\mathbf{k}, \Gamma)$  be the generally defined Berry curvature at momentum  $\mathbf{k}$  from which the winding number in  $d$  dimension  $\mathcal{C} = \int d^d \mathbf{k} F(\mathbf{k}, \Gamma)$  is calculated, with  $\Gamma$  the driving energy scale that controls the topology. Given a  $\Gamma$  in the parameter space, we seek for a new  $\Gamma'$  that satisfies

$$F(\mathbf{k}_0, \Gamma') = F(\mathbf{k}_0 + \delta \mathbf{k}, \Gamma) \quad (1)$$

where  $\mathbf{k}_0$  is a high symmetry point satisfying  $F(\mathbf{k}_0 + \delta \mathbf{k}, \Gamma) = F(\mathbf{k}_0 - \delta \mathbf{k}, \Gamma)$  and  $\delta \mathbf{k}$  is a small deviation away

from it. The fix point is reached by iteratively solving  $\Gamma$ , and by considering a small deviation  $\delta \mathbf{k}$ , one obtains a RG equation for  $\Gamma$  in the form of differential equation. As we shall see in the examples below, the Berry curvature gradually evolves into a configuration that is invariant under this procedure, which is then identified as the fix point Berry curvature configuration.

*Deviation-reduction mechanism.*- To explain the mechanism behind Eq. (1), Consider a TI or TSC defined on a  $d$ -dimensional cubic lattice. If the system at  $\Gamma$  and at the fix point  $\Gamma_f$  have the same topology, then the Berry curvature at  $\Gamma$  can be expanded by

$$\begin{aligned} F(\mathbf{k}, \Gamma) &= F_f(\mathbf{k}, \Gamma_f) + F_v(\mathbf{k}, \Gamma) \\ &= F_f(\mathbf{k}, \Gamma_f) + \prod_{i=1}^d \left( \sum_{m_i} \lambda_{m_i, \Gamma} \cos m_i k_i \right), \end{aligned} \quad (2)$$

where  $F_f(\mathbf{k}, \Gamma_f)$  is the fix point Berry curvature configuration that satisfies  $F_f(\mathbf{k}_0, \Gamma_f) = F_f(\mathbf{k}_0 + \delta \mathbf{k}, \Gamma_f)$ , i.e., it is invariant under the operation of Eq. (1), and  $F_v(\mathbf{k}, \Gamma)$  is the deviation away from this fix point configuration at  $\Gamma$  with  $\lambda_{m_i, \Gamma}$  its  $m$ -th Fourier component along  $i$ -th coordinate. The expansion of  $F_v(\mathbf{k}, \Gamma)$  is sound because it must not contribute to the integration of winding number

$$\mathcal{C} = \int d^d \mathbf{k} F(\mathbf{k}, \Gamma) = \int d^d \mathbf{k} F_f(\mathbf{k}, \Gamma_f), \quad (3)$$

such that the system at  $\Gamma$  and at  $\Gamma_f$  have the same topology. Suppose we choose a particular high symmetry point such as  $\mathbf{k}_0 = (0, \pi, 0, 0, \dots, \pi)$ , and a small displacement away from it along  $j$ -th coordinate  $\delta \mathbf{k} = (0, 0, \dots, \delta k_j, \dots, 0, 0)$ . Now we apply the operation of Eq. (1) by using Eq. (2). Expanding around  $\mathbf{k}_0$  gives

$$\begin{aligned} &F_v(\mathbf{k}_0, \Gamma') - F_v(\mathbf{k}_0, \Gamma) \\ &= -\frac{1}{2} \left( \sum_{m_j} \lambda_{m_j, \Gamma} m_j^2 \delta k_j^2 \right) \left[ \prod_{i \neq j} \left( \sum_{m_i} \lambda_{m_i, \Gamma} \right) \right] \end{aligned} \quad (4)$$

Note that  $F_v(\mathbf{k}_0, \Gamma)$  is the deviation at  $\mathbf{k}_0$ . Writting  $F_v(\mathbf{k}_0, \Gamma') - F_v(\mathbf{k}_0, \Gamma) = dF_v(\mathbf{k}_0, \Gamma)$  and introducing a

pseudo scaling parameter  $d\tilde{l} = dk_j$ , one obtains

$$\frac{dF_v(\mathbf{k}_0, \Gamma)}{d\tilde{l}} = \frac{1}{2} \partial_{k_j} F_v(\mathbf{k}, \Gamma) \Big|_{\mathbf{k}=\mathbf{k}_0+\delta\mathbf{k}} \quad (5)$$

This means the deviation at  $\mathbf{k}_0$  changes under this operation according to the slope of the deviation at  $\mathbf{k}_0 + \delta\mathbf{k}$ . If the initial value  $\Gamma$  gives  $F_v(\mathbf{k}_0, \Gamma) > 0$  ( $< 0$ ), i.e., a positive (negative) deviation at  $\mathbf{k}_0$ , then  $F_v(\mathbf{k}, \Gamma)$  must curve down (curve up) as moving from  $\mathbf{k}_0$  to  $\mathbf{k}_0 + \delta\mathbf{k}$  in order to conserve the winding number, so  $\partial_{k_j} F_v(\mathbf{k}, \Gamma) \Big|_{\mathbf{k}=\mathbf{k}_0+\delta\mathbf{k}} < 0$  ( $> 0$ ) and consequently  $|F_v(\mathbf{k}_0, \Gamma)|$  is reduced under this scaling procedure. Thus continuously applying Eq. (1) makes  $F_v(\mathbf{k}, \Gamma)$  approaching zero and  $F(\mathbf{k}, \Gamma)$  approaching  $F_f(\mathbf{k}, \Gamma_f)$ . In other words, the principle behind Eq. (1) is that the deviation of the Berry curvature from its fix point configuration is gradually reduced under this scaling procedure. In general, There could be a situation that  $F_v(\mathbf{k}_0, \Gamma) > 0$  and  $\partial_{k_j} F_v(\mathbf{k}, \Gamma) \Big|_{\mathbf{k}=\mathbf{k}_0+\delta\mathbf{k}} > 0$  at a given  $\Gamma$  so  $|F_v(\mathbf{k}_0, \Gamma)|$  increases at the beginning of the scaling process, but  $|F_v(\mathbf{k}_0, \Gamma)|$  must eventually be reduced because the scaling process still leads to  $\partial_{k_j} F_v(\mathbf{k}, \Gamma) \Big|_{\mathbf{k}=\mathbf{k}_0+\delta\mathbf{k}} < 0$  in order to conserve winding number.

Dividing both sides of Eq. (4) by  $\delta k_j^2 \equiv dl$  yields a  $\beta$ -function  $dF_v(\mathbf{k}_0, \Gamma)/dl = \beta(\lambda_{m_i}, \Gamma)$  that does not depend on the small displacement  $\delta k_j$ . The RG equation for  $\Gamma$  then follows  $d\Gamma/dl = (d\Gamma/dF_v(\mathbf{k}_0, \Gamma)) (dF_v(\mathbf{k}_0, \Gamma)/dl)$ . This explains that the proper scaling parameter should be defined as quadratic in the displacement  $\delta k_j^2 \equiv dl$ , whereas the  $dk_j = d\tilde{l}$  in Eq. (5) is merely introduced to demonstrate the deviation-reduction mechanism. Equation (2) indicates that at a particular  $\Gamma$ , the Berry curvature near a  $\mathbf{k}_0$  can be expanded by

$$F(\mathbf{k}_0 + \delta\mathbf{k}, \Gamma) = \frac{F(\mathbf{k}_0, \Gamma)}{1 \pm \xi^2 |\delta\mathbf{k}|^2} \quad (6)$$

akin to the Ornstein-Zernike form of correlation function[35]. This suggests that  $\xi$  can be the analogy of the correlation length in the Landau paradigm. As we shall see in the examples below,  $\xi$  indeed characterizes the scale invariance at the fix point or critical point.

One application of this scaling procedure is that it reduces the  $d$ -dimensional integration of winding number in Eq. (3) to a zero dimensional recursive operation of Eq. (1), which may greatly reduce the numerical expenses to judge topological order especially in higher dimensions. As we shall see in the examples below, in general one may need to apply Eq. (1) to multiple high symmetry points to capture multiple critical points in the  $\Gamma$ -space. Nevertheless, the cubic lattice we consider has  $2^d$  high symmetry points in the first quartet, so one has only  $2^d$  zero dimensional recursive equations that can scan through a large part of  $\Gamma$ -space with very little numerical effort. Similar to the scaling hypothesis in the Landau paradigm[27], this scaling scheme itself does not

give a meaning to the fix point, i.e., it does not tell us whether the fix point is topologically trivial or nontrivial, which may nevertheless be clarified by direct calculation of Eq. (3) at  $\Gamma_f$ .

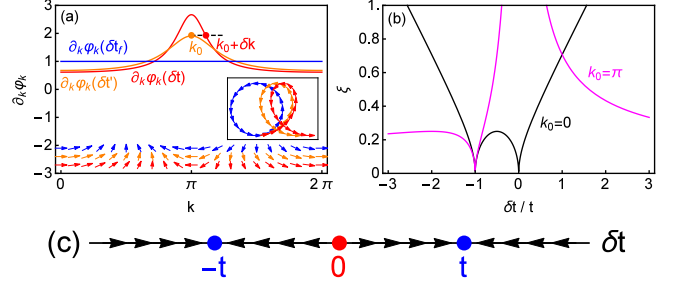


FIG. 1: (a) The proposed scaling process, Eq. (1), applied to the topologically nontrivial phase of the SSH model with the choice  $k_0 = \pi$ . Given an initial  $\delta t$  and the corresponding Berry curvature  $\partial_k \varphi_k(\delta t)$  (red line), we find a new  $\delta t'$  by demanding  $\partial_k \varphi_k(\delta t)$  at  $k_0 + \delta k$  to be equal to that of  $\partial_k \varphi_k(\delta t')$  (orange line) at  $k_0$ , as indicated by the dash line. This procedure reduces the deviation away from and leads to the fix point Berry curvature configuration  $\partial_k \varphi_k(\delta t_f)$  (blue line). The  $\varphi_k$  expressed as a vector field in the complex space for each configuration is indicated by colored arrows. When joining the arrows in a configuration head to tail in sequence to form a string, this scaling procedure resembles tightening or untightening the string to reveal whether it has a knot, as shown in the inset. (b) The length scale  $\xi$  defined in Eq. (6) as a function of  $\delta t$ , with the choices  $k_0 = 0$  and  $k_0 = \pi$ . (c) The RG flow of  $\delta t$ .

*Su-Schrieffer-Heeger (SSH) model.*- To demonstrate the scaling scheme in  $d = 1$ , we start from the spinless SSH model[16] with periodic boundary condition (PBC), described by the Hamiltonian

$$H = \sum_i (t + \delta t) c_{Ai}^\dagger c_{Bi} + (t - \delta t) c_{Ai+1}^\dagger c_{Bi} + h.c. \quad (7)$$

The topology of this model is judged by the winding number  $\mathcal{C}$  of the operator  $h_k(\delta t) = (t + \delta t) + (t - \delta t)e^{-ik} = |h_k(\delta t)|e^{-i\varphi_k(\delta t)}$  in the complex space when one goes through the entire Brillouin zone (BZ). Defining  $q_k = h_k/|h_k| = e^{-i\varphi_k(\delta t)}$ , the winding number is[34]

$$\mathcal{C} = \frac{i}{2\pi} \oint dk (q_k^{-1} \partial_k q_k) = \frac{1}{2\pi} \oint dk \partial_k \varphi_k(\delta t). \quad (8)$$

We now search for a new  $\delta t'$  by applying Eq. (1)

$$\partial_k \varphi_k(\delta t') \Big|_{k=k_0} = \partial_k \varphi_k(\delta t) \Big|_{k=k_0+\delta k} \quad (9)$$

Writing  $\delta t' - \delta t = d\delta t$ ,  $(\delta k)^2 = dl$ , and using  $\partial_k \varphi_k(\delta t) = \partial_k \arctan(\text{Im}h_k^*/\text{Re}h_k^*)$  one obtains the RG equation at the leading order

$$\begin{aligned} \frac{d\delta t}{dl} &= \frac{\delta t}{4} \left(1 - \frac{\delta t^2}{t^2}\right) \quad \text{if } k_0 = 0, \\ \frac{d\delta t}{dl} &= \frac{t^2}{4\delta t} \left(1 - \frac{\delta t^2}{t^2}\right) \quad \text{if } k_0 = \pi, \end{aligned} \quad (10)$$

both reproduce the correct critical points at  $\delta t_c = 0$  and fix points at  $\delta t_f = \pm t$ , as indicated by the RG flow in Fig. 1. Since the RG equation involves only one variable  $\delta t$ , it is always possible to map the RG flow into the motion of an overdamped particle in a conservative potential[36, 37]. Through directly calculating the winding number, the  $\delta t_f = t$  fix point is topologically trivial and the  $\delta t_f = -t$  fix point is nontrivial. The example shown in Fig. 1 (a) (red line) clearly demonstrates the deviation-reduction mechanism of Eq. (5), where the initial value  $\Gamma = \delta t$  gives  $F_v(\mathbf{k}_0, \Gamma) > 0$  and  $\partial_k F_v(\mathbf{k}, \Gamma)|_{\mathbf{k}=\mathbf{k}_0+\delta\mathbf{k}} < 0$ . The choice of different  $\mathbf{k}_0$  means different  $F_v(\mathbf{k}_0, \Gamma)$  to start with, hence the speed of converging to the fix point configuration is also different, as reflected in the two equations in Eq. (10). Note that the phase transition occurs when the gap at  $k_0 = \pi$  closes, but the scaling scheme works in this model even if one chooses  $k_0 = 0$  that is not the gap-closing point.

Alternatively, one can introduce the ratio  $\gamma = (t - \delta t)/(t + \delta t)$  and discuss the topological phase transition upon tuning  $\gamma$ . Using Eq. (1) with  $k_0 = 0$  leads to

$$\frac{d\gamma}{dt} = \beta(\gamma) = \frac{\gamma}{2} \left( \frac{\gamma - 1}{\gamma + 1} \right) \quad (11)$$

which well reproduces the two critical points at  $\gamma = \pm 1$ . Thus the proposed scaling scheme is valid whether the system is parametrized by  $\delta t$  or  $\gamma$ .

From Eq. (6) we obtain

$$\begin{aligned} \xi^2 &= \left| \frac{\delta t}{4t} \left( 1 + \frac{\delta t}{t} \right) \right| \quad \text{if } k_0 = 0, \\ \xi^2 &= \left| \frac{t}{4\delta t} \left( 1 + \frac{t}{\delta t} \right) \right| \quad \text{if } k_0 = \pi, \end{aligned} \quad (12)$$

As shown in Fig. 1, at the critical point  $\delta t = 0$ , choosing  $k_0 = 0$  gives  $\xi = 0$ , and choosing  $k_0 = \pi$  gives  $\xi = \infty$ , both signaturing the scale invariance[38]. The topologically nontrivial fix point  $\delta t = -t$  has  $\xi = 0$ . The trivial fix point  $\delta t = t$  has  $\xi = 1/\sqrt{2}$ , meaning that while the amplitude of  $\partial_k \varphi_k(\delta t)$  is approaching zero everywhere, its functional form is approaching the first harmonic  $\cos k$ .

*Chern insulators and chiral p-wave superconductors.*- To demonstrate the feasibility of Eq. (1) in higher dimensions, we consider spinless Chern insulators in the  $d$ -dimensional continuum[39], the low energy sector of which has the generic Dirac form

$$H(\mathbf{k}) = \sum_i d_i(\mathbf{k}) \Gamma_i \quad (13)$$

where  $\Gamma_i$  ( $= \sigma_i$  in  $d = 2$ ) satisfy the Clifford algebra. The corresponding Berry curvature, take  $d = 2$  and  $d = 4$  as examples, is

$$\begin{aligned} F &\propto \epsilon^{abc} \hat{d}_a \partial_x \hat{d}_b \partial_y \hat{d}_c, \quad \text{for } d = 2 \\ F &\propto \epsilon^{abcde} \hat{d}_a \partial_x \hat{d}_b \partial_y \hat{d}_c \partial_z \hat{d}_d \partial_v \hat{d}_e, \quad \text{for } d = 4 \end{aligned} \quad (14)$$

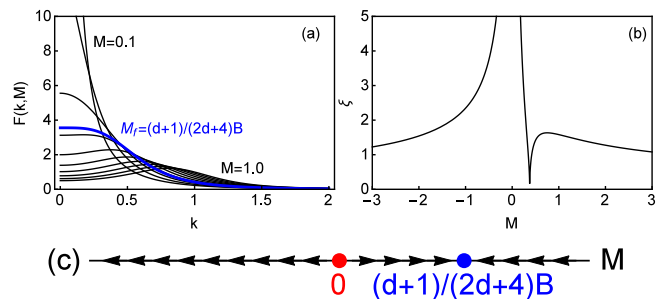


FIG. 2: (color online) (a) Berry curvature of the topologically nontrivial phase of  $d = 2$  Chern insulators in the continuum, which has the form of Eq. (15), at evenly spaced values of  $0.1 \leq M \leq 1.0$ . All the lines evolve to the fix point configuration labeled by the blue line under the proposed scaling procedure. (b) The length scale  $\xi$  defined in Eq. (6) diverges at  $M_c = 0$  and vanishes at  $M_f = (d + 1)/(2d + 4)B$ . We set  $B = 1$  in these plots. (c) The RG flow of  $M$ .

which has the generic form

$$F(\mathbf{k}, M) = \frac{M + Bk^2}{\alpha \left[ k^2 + (M - Bk^2)^2 \right]^{\frac{d+1}{2}}} \quad (15)$$

where the prefactor  $\alpha$  depends on symmetry and dimension but is unimportant for our argument. Using Eq. (1) with the only high symmetry point  $\mathbf{k}_0 = (0, 0)$  and  $\delta\mathbf{k} = (\delta k_x, \delta k_y)$ , writing the energy scale to be renormalized as  $M' - M = dM$  while keeping  $B$  constant, and defining  $|\delta\mathbf{k}|^2 = dl$ , the leading order RG equation is

$$\frac{dM}{dl} = \left( \frac{d+1}{2d} \right) \frac{1}{M} - \left( \frac{d+2}{d} \right) B \quad (16)$$

which has generically a critical point at  $M = 0$ , and the two fix points  $M = (d + 1)/(2d + 4)B$  and  $M = -\infty$  assuming  $B > 0$ . The length scale calculated from Eq. (6)

$$\xi^2 = \left| \frac{d+1}{2M^2} - (d+2) \frac{B}{M} \right| \quad (17)$$

vanishes at the fix points and diverges at the critical point. The results for  $d = 2$  spinless Chern insulators, which have  $d_1 = k_x$ ,  $d_2 = k_y$ , and  $d_3 = M - Bk^2$  are shown in Fig. 2.

Another system of similar kind is Haldane's  $d = 2$  graphene model[3] and related ones[4, 5]. Consider a spinless model whose expansion around  $\mathbf{K}$  and  $\mathbf{K}'$  points of the reciprocal space of the hexagonal lattice is[39]

$$\begin{aligned} h(\mathbf{k}_0 + \delta\mathbf{k}) &= -3t^2 \cos \phi \pm \frac{3}{2} t_1 (\delta k_y \sigma_x \mp \delta k_x \sigma_y) \\ &+ \left( M \mp 3\sqrt{3} t_2 \sin \phi \right) \sigma_z \end{aligned} \quad (18)$$

where upper sign is for  $\mathbf{k}_0 = \mathbf{K}$  and the lower sign  $\mathbf{k}_0 =$

$\mathbf{K}'$ . Applying Eqs. (14) and (1) yields

$$\begin{aligned} \frac{dM}{dl} &= \frac{3}{4} \frac{(3t_1/2)^2}{M \mp 3\sqrt{3}t_2 \sin \phi}, \\ \xi^2 &= \frac{3}{2} \frac{(3t_1/2)^2}{(M \mp 3\sqrt{3}t_2 \sin \phi)^2}, \end{aligned} \quad (19)$$

correctly reproducing the critical points at  $M_c = \pm 3\sqrt{3}t_2 \sin \phi$ .

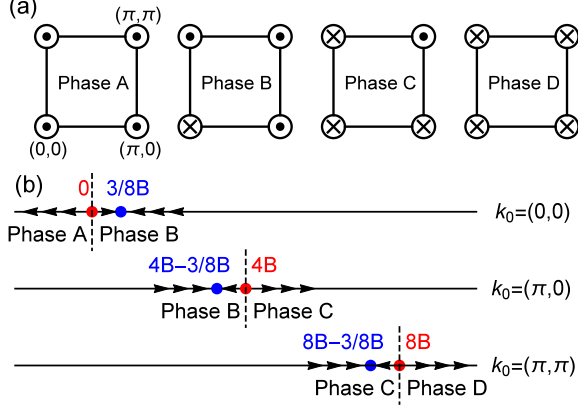


FIG. 3: (a) The signs of  $d_3(\mathbf{k}_0)$  at high symmetry points for the four phases of  $d = 2$  Chern insulators. (b) The RG flow of  $M$  by choosing three different high symmetry points  $\mathbf{k}_0$  with the same  $\delta\mathbf{k} = (\delta k_x, 0)$ . One sees that choosing a particular  $\mathbf{k}_0$  captures the transition caused by gap-closing at this point, in accordance with the sign change of  $d_3(\mathbf{k}_0)$  in (a).

To discuss the  $d$ -dimensional Chern insulators on a cubic lattice[39], we consider  $\mathbf{d} = (\sin k_x, \sin k_y, \dots, \sin k_d, M - 2B(d - \sum_{i=1}^d \cos k_i))$  in Eq. (13). The  $2^d$  high symmetry points in the first quartet  $\mathbf{k}_0 = (k_{0x}, k_{0y}, \dots, k_{0d})$  consist of each  $k_{0i}$  being either 0 or  $\pi$ . The Berry curvature expanded around each  $\mathbf{k}_0$  takes the generic form

$$\begin{aligned} F(\mathbf{k}_0 + \delta\mathbf{k}, M) &= \frac{(-1)^{N_\pi} [(M - 4BN_\pi) + \Xi(\delta\mathbf{k})]}{\left\{ |\delta\mathbf{k}|^2 + [(M - 4BN_\pi) - \Xi(\delta\mathbf{k})]^2 \right\}^{\frac{d+1}{2}}}, \\ \Xi(\delta\mathbf{k}) &= B \left( \sum_{i \in 0} \delta k_i^2 - \sum_{i \in \pi} \delta k_i^2 \right) \end{aligned} \quad (20)$$

where  $\sum_{i \in 0}$  ( $\sum_{i \in \pi}$ ) denotes summation over  $\delta k_i$  at which  $k_{0i} = 0$  ( $k_{0i} = \pi$ ), and  $N_\pi$  is the number of  $\pi$ 's in  $\{k_{0i}\}$ . Applying Eq. (1) with  $\delta\mathbf{k} = \delta k_s \hat{\mathbf{s}}$  along one particular coordinate  $\hat{\mathbf{s}}$  yields

$$\frac{dM}{dl} = \left( \frac{d+1}{2d} \right) \frac{1}{M - 4BN_\pi} \mp \left( \frac{d+2}{d} \right) B, \quad (21)$$

and hence the generic fix points  $M_f = 4BN_\pi \pm (d+1)/(2d+4)B$  and  $M_f = \mp \infty$  when choosing a particular

$\mathbf{k}_0$ . The length scale  $\xi$  satisfies

$$\xi^2 = \left| \left( \frac{d+1}{2} \right) \frac{1}{(M - 4BN_\pi)^2} \mp \frac{(d+2)B}{M - 4BN_\pi} \right| \quad (22)$$

The top sign in each  $\pm$  or  $\mp$  corresponds to the case when the component of  $\mathbf{k}_0$  in the scaling direction  $\delta\mathbf{k} = \delta k_s \hat{\mathbf{s}}$  is  $k_{0s} = 0$ , and the bottom sign is when  $k_{0s} = \pi$ . Because  $N_\pi$  takes any integer value from 0 to  $d$ , generically there are  $d+1$  critical points located at  $M_c = 4BN_\pi$ . The phase transition at a particular  $M_c$  takes place when the gap closes[39, 40] at one set of  $\mathbf{k}_0$ 's that have the same  $N_\pi$ , in accordance with applying Eq. (1) at these  $\mathbf{k}_0$ 's to capture the change of Berry curvature near them, as shown for  $d = 2$  in Fig. 3. The  $d$ -dimensional chiral  $p$ -wave superconductors in the continuum and in the lattice[1] have the same generic form of Berry curvature as the Chern insulators[39], and hence practically the same critical points and critical behavior. We remark that the SSH model[41] and Haldane's graphene model[42] have been realized by ultracold atoms in optical lattices, where the systems can be driven close to the critical point. The predicted critical behavior of  $\xi$  can be verified by measuring the Berry curvature near  $\mathbf{k}_0$ , which may be achieved by momentum space interferometry techniques[43].

In summary, a scaling procedure for Berry curvature, Eq. (1), is introduced to study the topological phase transitions driven by varying a particular energy scale. The result is a zero dimensional RG equation of the energy scale that may greatly reduce the numerical expenses to search for the critical points. A length scale defined from the Berry curvature near high symmetry points is shown to characterize the scale-invariance at critical points, whose critical behavior is found to be universal for Chern insulators and chiral  $p$ -wave superconductors.

The author acknowledges the stimulating discussions with M. Sigrist, A. P. Schnyder, M. Aidelsburger, and A. Stern.

- [1] A. P. Schnyder, S. Ryu, A. Furusaki, and A. W. W. Ludwig, Phys. Rev. B **78**, 195125 (2008).
- [2] A. Kitaev, arXiv:0901.2686.
- [3] F. D. M. Haldane, Phys. Rev. Lett. **61**, 2015 (1988).
- [4] C. L. Kane and E. J. Mele, Phys. Rev. Lett. **95**, 146802 (2005).
- [5] C. L. Kane and E. J. Mele, Phys. Rev. Lett. **95**, 226801 (2005).
- [6] B. A. Bernevig, T. L. Hughes, and S.-C. Zhang, Science **314**, 1757 (2006).
- [7] M. König, S. Wiedmann, C. Brüne, A. Roth, H. Buhmann, L. W. Molenkamp, X.-L. Qi, S.-C. Zhang, Science **318**, 766 (2007).
- [8] N. Read and Dmitry Green, Phys. Rev. B **61**, 10267 (2000).

- [9] X.-L. Qi, T. L. Hughes, S. Raghu, and S.-C. Zhang, Phys. Rev. Lett. **102**, 187001 (2009).
- [10] X.-L. Qi and S.-C. Zhang, Rev. Mod. Phys. **83**, 1057 (2011).
- [11] M. Z. Hasan and C. L. Kane, Rev. Mod. Phys. **82**, 3045 (2010).
- [12] A. Y. Kitaev, Phys. Usp. **44**, 131 (2001).
- [13] R. M. Lutchyn, J. D. Sau, and S. Das Sarma, Phys. Rev. Lett. **105**, 077001 (2010).
- [14] Y. Oreg, G. Refael, and F. von Oppen, Phys. Rev. Lett. **105**, 177002 (2010).
- [15] V. Mourik, K. Zuo, S. M. Frolov, S. R. Plissard, E. P. A. M. Bakkers, and L. P. Kouwenhoven, Science **336**, 1003 (2012).
- [16] W. P. Su, J. R. Schrieffer, and A. J. Heeger, Phys. Rev. Lett. **42**, 1698 (1979).
- [17] T.-P. Choy, J. M. Edge, A. R. Akhmerov, and C. W. J. Beenakker, Phys. Rev. B **84**, 195442 (2011).
- [18] S. Nadj-Perge, I. K. Drozdov, B. A. Bernevig, and A. Yazdani, Phys. Rev. B **88**, 020407 (2013).
- [19] B. Braunecker and P. Simon, Phys. Rev. Lett. **111**, 147202 (2013).
- [20] F. Pientka, L. I. Glazman, and F. von Oppen, Phys. Rev. B **88**, 155420 (2013).
- [21] J. Klinovaja, P. Stano, A. Yazdani, and D. Loss, Phys. Rev. Lett. **111**, 186805 (2013).
- [22] M. M. Vazifeh and M. Franz, Phys. Rev. Lett. **111**, 206802 (2013).
- [23] J. Röntynen and T. Ojanen, Phys. Rev. B **90**, 180503 (2014).
- [24] Y. Kim, M. Cheng, B. Bauer, R. M. Lutchyn, and S. Das Sarma, Phys. Rev. B **90**, 060401 (2014).
- [25] N. Sedlmayr, J. M. Aguiar-Hualde, and C. Bena, Phys. Rev. B **91**, 115415 (2015).
- [26] W. Chen and A. P. Schnyder, arXiv:1504.02322.
- [27] L. P. Kadanoff, Physics **2**, 263 (1966).
- [28] A. Kitaev and J. Preskill, Phys. Rev. Lett. **96**, 110404 (2006).
- [29] M. Levin and X.-G. Wen, Phys. Rev. Lett. **96**, 110405 (2006).
- [30] H.-C. Jiang, Z. Wang, and L. Balents, Nature Phys. **8**, 902 (2012).
- [31] M. V. Berry, Proc. R. Soc. London, Ser. A **392**, 45 (1984).
- [32] D. Xiao, M.-C. Chang, and Q. Niu, Rev. Mod. Phys. **82**, 1959 (2010).
- [33] D. J. Thouless, M. Kohmoto, M. P. Nightingale, and M. den Nijs, Phys. Rev. Lett. **49**, 405 (1982).
- [34] J. Zak, Phys. Rev. Lett. **62**, 2747 (1989).
- [35] L. S. Ornstein and F. Zernike. Proc. Acad. Sci. (Amsterdam) **17**, 793 (1914).
- [36] W. Chen, M.-S. Chang, H.-H. Lin, D. Chang, and C.-Y. Mou, Phys. Rev. B **70**, 205413 (2004).
- [37] M.-S. Chang, W. Chen, H.-H. Lin, Prog. Theor. Phys. Supp. **160**, 79 (2005).
- [38] K. Huang, *Statistical Mechanics*, John Wiley and Sons (1987), p. 445.
- [39] B. A. Bernevig with T. L. Hughes, *Topological Insulators and Topological Superconductors*, Princeton University Press (2013), Ch. 8, 9, 13, 16, and 17.
- [40] S. Murakami, Physica E **43**, 748 (2011).
- [41] M. Atala, M. Aidelsburger, J.T. Barreiro, D. Abanin, T. Kitagawa, E. Demler, and I. Bloch, Nat. Phys. **9**, 795 (2013).
- [42] G. Jotzu, M. Messer, R. Desbuquois, M. Lebrat, T. Uehlinger, D. Greif, and T. Esslinger, Nature **515**, 237 (2014).
- [43] L. Duca, T. Li, M. Reitter, I. Bloch, M. Schleier-Smith, U. Schneider, Science **347**, 288 (2015).