

Loop-corrected belief propagation for lattice spin models

Hai-Jun Zhou^a and Wei-Mou Zheng

State Key Laboratory of Theoretical Physics, Institute of Theoretical Physics, Chinese Academy of Sciences, Beijing 100190, China

13 May 2015

Abstract. Belief propagation (BP) is a message-passing method for solving probabilistic graphical models. It is very successful in treating disordered models (such as spin glasses) on random graphs. On the other hand, finite-dimensional lattice models have an abundant number of short loops, and the BP method is still far from being satisfactory in treating the complicated loop-induced correlations in these systems. Here we propose a loop-corrected BP method to take into account the effect of short loops in lattice spin models. We demonstrate, through an application to the square-lattice Ising model, that loop-corrected BP improves over the naive BP method significantly. We also implement loop-corrected BP at the coarse-grained region graph level to further boost its performance.

PACS. 02.70.Rr General statistical methods – 75.10.Nr Spin-glass and other random models – 07.05.Pj Image processing – 05.50.+q Lattice theory and statistics (Ising, Potts, etc.)

1 Introduction

Belief propagation (BP) is a message-passing method for solving probabilistic graphical models. It was developed in the computer science research field [1] and, independently, also in the statistical physics field along with the replica-symmetric mean field theory [2]. For spin glass physicists the BP method is commonly referred to as the replica-symmetric cavity method.

The basic physical idea behind BP is the Bethe-Peierls approximation [3,4], which assumes that if a vertex is deleted from a graph, all of its nearest neighboring vertices will become completely uncorrelated in the remaining (cavity) graph. The BP method has good quantitative predicting power if the graph's characteristic loop length is much longer than the typical correlation length of the system.

The BP method is exact for models defined on a tree graph which contains no any loop. A finite-connectivity random graph contains many loops, but the typical loop length increases logarithmically with the total number of vertices in the graph. Therefore BP also performs excellently on sufficiently large random-graph systems. A lot of random combinatorial optimization problems and random-graph spin glass models have been successfully solved by BP and the replica-symmetric mean field theory during the last two decades [5].

Finite-dimensional lattice models have an abundant number of short loops, which cause complicated local correlations in the system. The correlation length of the system at sufficiently low temperatures often exceeds the

characteristic length of short loops. At the moment, the BP method is still far from being satisfactory in treating the complicated loop-induced local correlations in these systems. In recent years the generalized belief propagation (GBP) method, as promising way of overcoming the naive BP method's shortcomings, has been seriously explored [6,7,8,9]. The GBP method is rooted in the cluster variational method [10,11] and it abandons the Bethe-Peierls approximation.

In this work we explore a simple way of improving the BP performance while still keeping the Bethe-Peierls approximation. We propose a loop-corrected BP method to take into account the effect of short loops in lattice spin models. The loop-corrected BP method, as a hierarchical approximation scheme, is conceptually straightforward to understand, and its numerical implementation appears to be easier than the GBP method. As a proof of principle, we apply loop-corrected BP to the square-lattice Ising model for which exact results are available, and demonstrate that it indeed significantly outperforms the naive BP. We also implement loop-corrected BP at the coarse-grained region graph level [12] to further boost its performance.

The actual applications of loop-corrected BP to the Edwards-Anderson spin glasses model [13] on the square lattice and on the cubic lattice will be carried out in a follow-up paper. As potential practical applications, we suggest that loop-corrected BP might be useful in two-dimensional image processing tasks, such as image recovery [14].

For the reason of clarity, in the remaining part of this paper we describe the loop-corrected BP method using the square lattice as a representative example.

^a Corresponding author. Email address: zhouhj@itp.ac.cn.

2 The lattice spin system

Let us consider a periodic square lattice G of width L containing $N = L \times L$ vertices, see Fig. 1. Each vertex $m \in \{1, 2, \dots, N\}$ of this lattice has a spin state $\sigma_m \in \{-1, +1\}$ and it interacts with its four nearest neighboring vertices. The interaction between two vertices m and n is represented by an edge in the lattice and this edge is denoted as $\langle m, n \rangle$ in our following discussions. The set formed by all the nearest neighboring vertices of vertex m is denoted as ∂m , i.e., $\partial m \equiv \{n : \langle m, n \rangle \in G\}$. For the particular example of Fig. 1, $\partial m = \{l, h, n, r\}$ and $\partial n = \{m, i, o, s\}$. In addition, we denote by $\partial m \setminus n$ the set obtained by deleting vertex n from the set ∂m , e.g., $\partial m \setminus n = \{l, h, r\}$ and $\partial n \setminus m = \{i, o, s\}$.

We denote a microscopic spin configuration of the whole lattice G as $\underline{\sigma}$, that is, $\underline{\sigma} \equiv \{\sigma_1, \sigma_2, \dots, \sigma_N\}$. The energy for each of the 2^N possible microscopic configurations is defined as

$$E(\underline{\sigma}) = - \sum_{i \in G} h_i \sigma_i - \sum_{\langle i, j \rangle \in G} J_{ij} \sigma_i \sigma_j, \quad (1)$$

where h_i is the local external field on vertex i , and J_{ij} is the spin coupling constant of the edge $\langle i, j \rangle$. In the limiting case of $J_{ij} = +J$ for all the edges, this model is the ferromagnetic Ising model [15]. In the other limiting case of the Edwards-Anderson spin glass model, each edge coupling constant J_{ij} is set to be $+J$ or $-J$ with equal probability and independently of all the other coupling constants [13]. In the numerical calculations of this paper we choose the energy unit to be J , which is equivalent to setting $J = 1$.

Let us denote by \mathcal{S} a macroscopic equilibrium state of the lattice system at a given temperature T . When T is sufficiently high the system has only a single macroscopic state, then \mathcal{S} contains all the 2^N microscopic configurations. At certain critical temperature value T_c an ergodicity-breaking transition may occur in the configuration space of the system, then the system at $T < T_c$ has two or even many macroscopic states, each of which containing a subset of the 2^N microscopic configurations [16].

3 The Bethe-Peierls approximation and the belief-propagation equation

We now briefly review the BP method. Within a macroscopic equilibrium state \mathcal{S} , the marginal probability distribution $q_m(\sigma_m)$ for the spin state of a single vertex m is defined as

$$q_m(\sigma) = \frac{\sum'_{\underline{\sigma}} \delta_{\sigma_m}^{\sigma} e^{-\beta E(\underline{\sigma})}}{\sum'_{\underline{\sigma}} e^{-\beta E(\underline{\sigma})}}, \quad (2)$$

where $\delta_{\sigma}^{\tilde{\sigma}}$ is the Kronecker symbol such that $\delta_{\sigma}^{\tilde{\sigma}} = 1$ if $\sigma = \tilde{\sigma}$ and $\delta_{\sigma}^{\tilde{\sigma}} = 0$ if $\sigma \neq \tilde{\sigma}$; $\beta \equiv 1/T$ is the inverse temperature; the superscript ' of the summation symbol means that the summation is over all the microscopic configurations $\underline{\sigma}$ belonging to the macroscopic state \mathcal{S} .

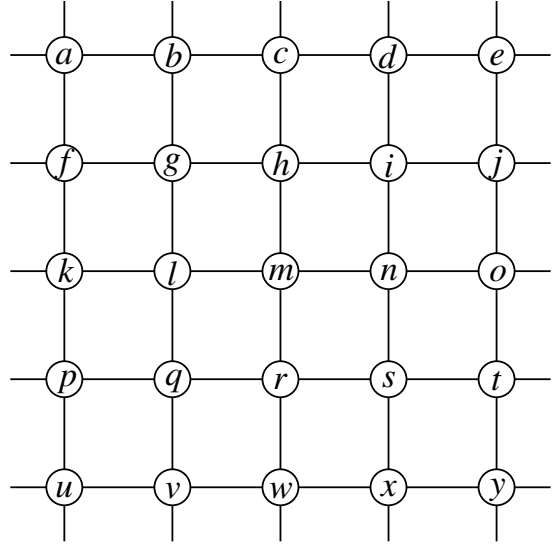


Fig. 1. The square lattice G with periodic boundary conditions. There are L (here $L = 5$) vertices on each boundary line, and the total number of vertices is $N = L \times L$.

Since vertex m interacts only with the vertices in ∂m , we divide the total energy $E(\underline{\sigma})$ into two parts:

$$E(\underline{\sigma}) = \left[-h_m \sigma_m - \sum_{n \in \partial m} J_{mn} \sigma_m \sigma_n \right] + E_{\setminus m}(\underline{\sigma}_{\setminus m}), \quad (3)$$

where $E_{\setminus m}(\underline{\sigma}_{\setminus m})$ is the total energy of the cavity lattice $G_{\setminus m}$ formed by deleting vertex m from the original lattice G (see Fig. 2):

$$E_{\setminus m}(\underline{\sigma}_{\setminus m}) = - \sum_{i \in G_{\setminus m}} h_i \sigma_i - \sum_{\langle i, j \rangle \in G_{\setminus m}} J_{ij} \sigma_i \sigma_j, \quad (4)$$

and $\underline{\sigma}_{\setminus m} \equiv \{\sigma_j : j \in G_{\setminus m}\}$. After inserting Eq. (3) into Eq. (2), we obtain that

$$q_m(\sigma) = \frac{e^{\beta h_m \sigma} \sum_{\underline{\sigma}_{\partial m}} q_{\setminus m}(\underline{\sigma}_{\partial m}) \prod_{n \in \partial m} e^{\beta \sigma J_{mn} \sigma_n}}{\sum_{\sigma_m} e^{\beta h_m \sigma_m} \sum_{\underline{\sigma}_{\partial m}} q_{\setminus m}(\underline{\sigma}_{\partial m}) \prod_{n \in \partial m} e^{\beta \sigma_m J_{mn} \sigma_n}}, \quad (5)$$

where $\underline{\sigma}_{\partial m} \equiv \{\sigma_n : n \in \partial m\}$ denotes a microscopic spin configuration of the vertices in set ∂m , and $q_{\setminus m}(\underline{\sigma}_{\partial m})$ is the probability distribution of $\underline{\sigma}_{\partial m}$ within the macroscopic equilibrium state \mathcal{S} of the cavity lattice $G_{\setminus m}$:

$$q_{\setminus m}(\underline{\sigma}_{\partial m}) \equiv \frac{\sum'_{\underline{\tilde{\sigma}}_{\setminus m}} e^{-\beta E_{\setminus m}(\underline{\tilde{\sigma}}_{\setminus m})} \prod_{n \in \partial m} \delta_{\sigma_n}^{\tilde{\sigma}_n}}{\sum'_{\underline{\tilde{\sigma}}_{\setminus m}} e^{-\beta E_{\setminus m}(\underline{\tilde{\sigma}}_{\setminus m})}}. \quad (6)$$

Since vertex m is absent in the cavity lattice $G_{\setminus m}$, one expects that the correlations among the vertices of set ∂m are much weaker in $G_{\setminus m}$ than in the original lattice G . Following the idea of Bethe and Peierls [3, 4], let us neglecting all the remaining correlations among the vertices

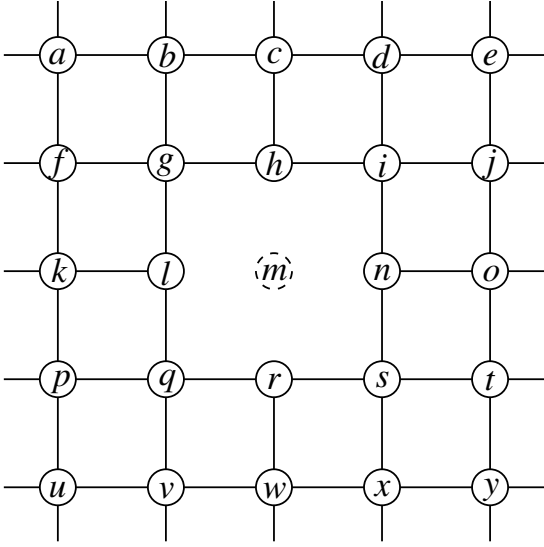


Fig. 2. The square lattice G_m obtained by deleting vertex m (and all its attached edges) from the lattice G of Fig. 1. Such a lattice is referred to as a cavity lattice.

of ∂m in G_m and approximate $q_m(\underline{\sigma}_{\partial m})$ by the following factorized form:

$$q_m(\underline{\sigma}_{\partial m}) \approx \prod_{n \in \partial m} q_{n \setminus m}(\sigma_n), \quad (7)$$

where $q_{n \setminus m}(\sigma_n)$ is the marginal probability distribution of the spin state of vertex n in the cavity lattice G_m . Inserting Eq. (7) into Eq. (5) we obtain the following approximate expression for $q_m(\sigma_m)$:

$$q_m(\sigma) = \frac{e^{\beta h_m \sigma} \prod_{n \in \partial m} \left[\sum_{\sigma_n} e^{\beta \sigma J_{mn} \sigma_n} q_{n \setminus m}(\sigma_n) \right]}{\sum_{\sigma_m} e^{\beta h_m \sigma_m} \prod_{n \in \partial m} \left[\sum_{\sigma_n} e^{\beta \sigma_m J_{mn} \sigma_n} q_{n \setminus m}(\sigma_n) \right]}. \quad (8)$$

Similar to Eq. (8), we can apply the Bethe-Peierls approximation on the cavity lattice G_m to compute the marginal probability distribution $q_{n \setminus m}(\sigma_m)$ of vertex n :

$$q_{n \setminus m}(\sigma) = \frac{e^{\beta h_n \sigma} \prod_{i \in \partial n \setminus m} \left[\sum_{\sigma_i} e^{\beta \sigma J_{ni} \sigma_i} q_{i \setminus n}(\sigma_i) \right]}{\sum_{\sigma_n} e^{\beta h_n \sigma_n} \prod_{i \in \partial n \setminus m} \left[\sum_{\sigma_i} e^{\beta \sigma_n J_{ni} \sigma_i} q_{i \setminus n}(\sigma_i) \right]}. \quad (9)$$

This above equation is referred to as a belief-propagation (BP) equation in the literature [1]. The BP equation is a self-consistent equation. We can iterate Eq. (9) on all the edges of the lattice G and, if this iteration reaches a fixed point, then use Eq. (8) to compute the mean spin value of any given vertex m in the lattice.

The above-mentioned mean field theory is very successful in quantitatively predicting the properties of spin models on random finite-connectivity graphs [17]. However, when applied on the square-lattice Ising model with

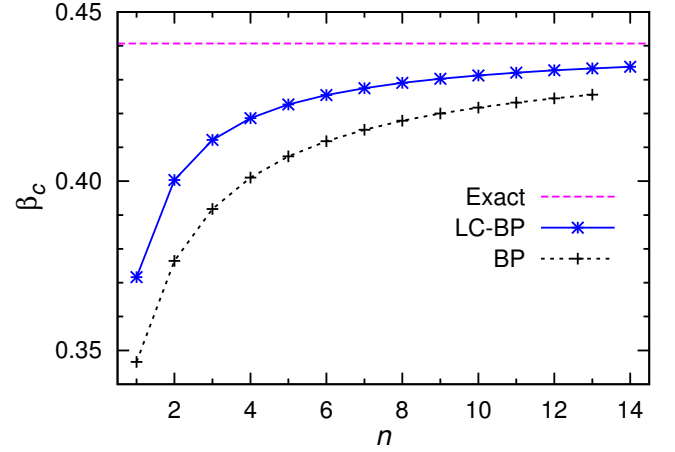


Fig. 3. The inverse temperature β_c at the ferromagnetic phase transition point of the square-lattice Ising model with no external field. The results obtained by the belief-propagation equation (BP, plus symbols) and by the loop-corrected belief-propagation equation (LC-BP, star symbols) are compared with the exact value $\beta_c \approx 0.4407$ (marked by the horizontal dashed line). Each square region of the BP and LC-BP mean field theory contains $n \times n$ vertices, with n being the number of vertices along one boundary line of the square region.

no external field, it predicts a transition between the paramagnetic phase and the ferromagnetic phase at the critical inverse temperature $\beta \approx 0.3466$, which is considerably lower the exact value $\beta_c = \ln(1 + \sqrt{2})/2 \approx 0.4407$ [18,19], see Fig. 3. For the Edwards-Anderson spin glass model on the periodic square lattice (again with no external field), the paramagnetic solution of the BP equation (9) becomes unstable in the whole region of $\beta > 0.37$ [12], which constrains with the strong numerical evidence [20,21,22,23,24] that the two-dimensional Edwards-Anderson model is in the paramagnetic phase at any finite β .

The mean-field equations (8) and (9) are not accurate in treating lattice spin models. We now develop a loop-corrected belief propagation numerical scheme to better considering the complicated effect of short loops.

4 Loop-corrected belief-propagation equation

We notice that, due to the abundance of short loops, the naive BP equations (8) and (9) generate a spurious self-field on each vertex of the lattice. By definition the probability distribution $q_{n \setminus m}(\sigma_n)$ in Eq. (8) is completely independent of vertex m , but if we use Eq. (9) then $q_{n \setminus m}(\sigma_n)$ will be strongly affected by m . To explain this point by an example, let us consider the path $m-h-i-n$ in Fig. 2: $q_{n \setminus m}(\sigma_n)$ depends on $q_{i \setminus n}(\sigma_i)$, which in turn depends on $q_{h \setminus i}(\sigma_h)$, which in turn depends on $q_{m \setminus h}(\sigma_m)$. Similarly, other short paths between vertex n and vertex m will bring more degree of dependence of $q_{n \setminus m}(\sigma_n)$ on the ‘deleted’ vertex m . Since all the input probability distributions to vertex m in Eq. (8) actually are affected by vertex m , the resulting marginal probability distribution $q_m(\sigma_m)$ con-

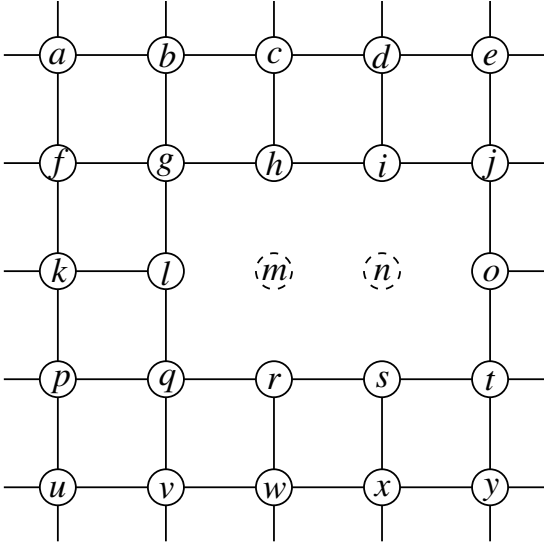


Fig. 4. The cavity square lattice $G_{\{m,n\}}$ obtained by deleting vertices m and n (and all the attached edges) from the lattice G of Fig. 1.

tains the self-field of vertex m to itself. This self-field effect is not real but is an artifact of the naive BP equation (9).

We need to modify Eq. (9) to remove this spurious self-field effect. Actually, if we strictly follow the Bethe-Peierls approximation, the expression for the probability distribution $q_{n \setminus m}(\sigma_n)$ is not Eq. (9) but

$$q_{n \setminus m}(\sigma_n) = \frac{e^{\beta h_n \sigma_n} \prod_{i \in \partial n \setminus m} \left[\sum_{\sigma_i} e^{\beta \sigma_n J_{ni} \sigma_i} q_{i \setminus \{m,n\}}(\sigma_i) \right]}{\sum_{\sigma'_n} e^{\beta h_n \sigma'_n} \prod_{i \in \partial n \setminus m} \left[\sum_{\sigma_i} e^{\beta \sigma'_n J_{ni} \sigma_i} q_{i \setminus \{m,n\}}(\sigma_i) \right]}, \quad (10)$$

where $q_{i \setminus \{m,n\}}(\sigma_i)$ is the marginal probability distribution of vertex i 's spin state in the cavity lattice $G_{\{m,n\}}$ with both vertex m and n being deleted (see Fig. 4).

In general, for any given vertex set ϕ and a vertex n that is adjacent to at least one vertex in this set ϕ , we denote by $q_{n \setminus \phi}(\sigma_n)$ the marginal probability distribution of vertex n 's spin state in the cavity lattice $G_{\setminus \phi}$ obtained by deleting all the vertices of ϕ from the original lattice G . Under the Bethe-Peierls approximation, this probability distribution can be determined through

$$q_{n \setminus \phi}(\sigma) = \frac{e^{\beta h_n \sigma} \prod_{i \in \partial n \setminus \phi} \left[\sum_{\sigma_i} e^{\beta \sigma J_{ni} \sigma_i} q_{i \setminus \{\phi,n\}}(\sigma_i) \right]}{\sum_{\sigma_n} e^{\beta h_n \sigma_n} \prod_{i \in \partial n \setminus \phi} \left[\sum_{\sigma_i} e^{\beta \sigma_n J_{ni} \sigma_i} q_{i \setminus \{\phi,n\}}(\sigma_i) \right]}, \quad (11)$$

where $\partial n \setminus \phi \equiv \partial n - \phi \cap \partial n$ denotes the vertex set obtained by deleting all the vertices of ∂n that are also belonging to set ϕ , and $\{\phi, n\} \equiv \phi \cup \{n\}$ is the vertex set obtained by adding vertex n to set ϕ .

Equations (8), (10) and (11) form a hierarchical series of self-consistent equations and we refer them collec-

tively as the loop-corrected belief-propagation equation. For practical applications we have to make a cutoff to this message-passing hierarchy, so that a closed set of equations can be obtained and can be iterated numerically.

In the remaining part of this paper we consider the simplest nontrivial cutoff by requiring that the vertex set ϕ of the cavity probability distribution $q_{n \rightarrow \phi}$ of any vertex n can contain at most two vertices. Under this additional restriction, then for the two vertices l and r in Fig. 4 we have

$$q_{l \setminus \{m,n\}}(\sigma_l) \propto e^{\beta h_l \sigma_l} \left[\sum_{\sigma_g} e^{\beta \sigma_l J_{lg} \sigma_g} q_{g \setminus \{l,m\}}(\sigma_g) \right] \times \left[\sum_{\sigma_k} e^{\beta \sigma_l J_{lk} \sigma_k} q_{k \setminus \{l,m\}}(\sigma_k) \right] \times \left[\sum_{\sigma_q} e^{\beta \sigma_l J_{lq} \sigma_q} q_{q \setminus \{l,m\}}(\sigma_q) \right], \quad (12a)$$

$$q_{r \setminus \{m,n\}}(\sigma_r) \propto e^{\beta h_r \sigma_r} \left[\sum_{\sigma_q} e^{\beta \sigma_r J_{rq} \sigma_q} q_{q \setminus \{r,m\}}(\sigma_q) \right] \times \left[\sum_{\sigma_w} e^{\beta \sigma_r J_{rw} \sigma_w} q_{w \setminus \{r,m\}}(\sigma_w) \right] \times \left[\sum_{\sigma_s} e^{\beta \sigma_r J_{rs} \sigma_s} q_{s \setminus \{r,n\}}(\sigma_s) \right]. \quad (12b)$$

Furthermore, the probability distribution $q_{s \setminus \{r,n\}}(\sigma_s)$ of Eq. (12b) can be computed through

$$q_{s \setminus \{r,n\}}(\sigma_s) \propto e^{\beta h_s \sigma_s} \left[\sum_{\sigma_t} e^{\beta \sigma_s J_{st} \sigma_t} q_{t \setminus \{s,n\}}(\sigma_t) \right] \times \left[\sum_{\sigma_x} e^{\beta \sigma_s J_{sx} \sigma_x} q_{x \setminus \{r,n\}}(\sigma_x) \right]. \quad (13)$$

When we apply Eqs. (12) and (13) to the square-lattice Ising model, we obtain a critical inverse temperature $\beta_c \approx 0.3716$ for the ferromagnetic phase transition, which is considerably better than the prediction of the naive BP, see Fig. 3. This is an encouraging result. We can further improve the performance of the loop-corrected BP mean field theory by allowing the set ϕ of deleted vertices in Eq. (11) to contain three or even more vertices.

5 Loop-corrected belief propagation at the region graph level

In essence, the loop-corrected BP mean field theory of the preceding section tries to completely eliminate the effect of a deleted vertex m to the cavity lattice $G_{\setminus m}$ through the BP hierarchy Eqs. (10) and (11). But the loop-corrected BP hierarchy is also based on the Bethe-Peierls approximation and it does not consider any of the short-range correlations that are discarded from this approximation (e.g., the correlations among the vertices l , h , n , and m in the cavity graph $G_{\setminus m}$ of Fig. 2). To take into account more short-range correlations, we follow the work of Zhou and Wang [12] and construct the loop-corrected BP equation at the coarse-grained region graph level.

In the example of the square lattice, we completely cover the vertices of the whole lattice by a set of square regions without overlapping between the regions. Each square region contains $n \times n$ vertices and all the interaction edges within these vertices, see Fig. 5. Two neighboring regions interact with each other through the n edges in between,

and they are therefore considered as being connected at the region level. The region graph \mathcal{R} constructed in this way, with each vertex representing a local square domain of $n \times n$ vertices, has the same topology as the original square lattice G .

The loop-corrected BP hierarchy can then be obtained for this region graph \mathcal{R} . Consider the region γ_5 of Fig. 5 as an example. Let us define $q_{\gamma_5 \setminus \gamma_2}(\sigma_m, \sigma_n)$ as the probability of vertex m taking spin value σ_m and vertex n taking spin value σ_n in the cavity region graph $\mathcal{R}_{\setminus \gamma_2}$ obtained by deleting region γ_2 from \mathcal{R} . Other joint probability distributions can be defined in a similar way, e.g., $q_{\gamma_5 \setminus \{\gamma_1, \gamma_2\}}(\sigma_m, \sigma_n)$ is the joint probability distribution of σ_m and σ_n in the cavity region graph $\mathcal{R}_{\setminus \{\gamma_1, \gamma_2\}}$. If we restrict the set ϕ of deleted regions in memory to containing two regions at most, we obtain that

$$\begin{aligned} q_{\gamma_5 \setminus \gamma_2}(\sigma_m, \sigma_n) &\propto \sum_{\sigma_r, \sigma_s} e^{-\beta E_{\gamma_5}} \\ &\times \left[\sum_{\sigma_l, \sigma_q} e^{-\beta E_{\gamma_4 \gamma_5}} q_{\gamma_4 \setminus \{\gamma_2, \gamma_5\}}(\sigma_l, \sigma_q) \right] \\ &\times \left[\sum_{\sigma_w, \sigma_x} e^{-\beta E_{\gamma_8 \gamma_5}} q_{\gamma_8 \setminus \{\gamma_2, \gamma_5\}}(\sigma_w, \sigma_x) \right] \\ &\times \left[\sum_{\sigma_t, \sigma_o} e^{-\beta E_{\gamma_6 \gamma_5}} q_{\gamma_6 \setminus \{\gamma_2, \gamma_5\}}(\sigma_t, \sigma_o) \right], \quad (14a) \end{aligned}$$

$$\begin{aligned} q_{\gamma_5 \setminus \{\gamma_1, \gamma_2\}}(\sigma_m, \sigma_n) &\propto \sum_{\sigma_r, \sigma_s} e^{-\beta E_{\gamma_5}} \\ &\times \left[\sum_{\sigma_l, \sigma_q} e^{-\beta E_{\gamma_4 \gamma_5}} q_{\gamma_4 \setminus \{\gamma_1, \gamma_5\}}(\sigma_l, \sigma_q) \right] \\ &\times \left[\sum_{\sigma_w, \sigma_x} e^{-\beta E_{\gamma_8 \gamma_5}} q_{\gamma_8 \setminus \{\gamma_2, \gamma_5\}}(\sigma_w, \sigma_x) \right] \\ &\times \left[\sum_{\sigma_t, \sigma_o} e^{-\beta E_{\gamma_6 \gamma_5}} q_{\gamma_6 \setminus \{\gamma_2, \gamma_5\}}(\sigma_t, \sigma_o) \right], \quad (14b) \end{aligned}$$

$$\begin{aligned} q_{\gamma_5 \setminus \{\gamma_2, \gamma_4\}}(\sigma_m, \sigma_n) &\propto \sum_{\sigma_r, \sigma_s} e^{-\beta E_{\gamma_5}} \\ &\times \left[\sum_{\sigma_w, \sigma_x} e^{-\beta E_{\gamma_8 \gamma_5}} q_{\gamma_8 \setminus \{\gamma_4, \gamma_5\}}(\sigma_w, \sigma_x) \right] \\ &\times \left[\sum_{\sigma_t, \sigma_o} e^{-\beta E_{\gamma_6 \gamma_5}} q_{\gamma_6 \setminus \{\gamma_2, \gamma_5\}}(\sigma_t, \sigma_o) \right]. \quad (14c) \end{aligned}$$

In the above expressions E_{γ_5} denotes the internal energy of region γ_5 , with

$$\begin{aligned} E_{\gamma_5}(\sigma_m, \sigma_n, \sigma_r, \sigma_s) &= -h_m \sigma_m - h_n \sigma_n - h_r \sigma_r - h_s \sigma_s \\ &- J_{mn} \sigma_m \sigma_n - J_{ns} \sigma_n \sigma_s - J_{rs} \sigma_r \sigma_s - J_{mr} \sigma_m \sigma_r, \quad (15) \end{aligned}$$

and $E_{\gamma_4 \gamma_5}$ is the interaction energy between region γ_4 and region γ_5 , with

$$E_{\gamma_4 \gamma_5}(\sigma_l, \sigma_m, \sigma_q, \sigma_r) = -J_{lm} \sigma_l \sigma_m - J_{qr} \sigma_q \sigma_r. \quad (16)$$

As the example of Eq. (14) demonstrates, all the correlations within each region are precisely considered by summing over all the 2^{n^2} microscopic configurations of this region. In the practical implementation, the internal state summation is achieved through a numerical scheme that is efficient both in terms of computing time and in terms of needed memory (see the Appendix for details). By increasing the region size n we can include more and more short-range correlations and achieve more precise quantitative predictions.

For the two-dimensional Ising model we have compared in Fig. 3 the results obtained by the conventional

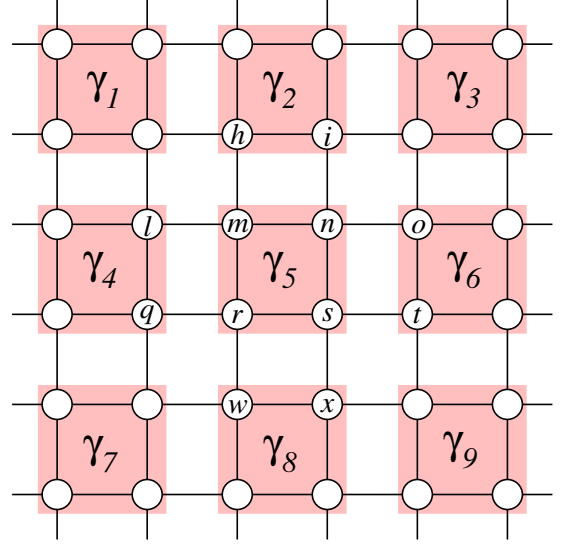


Fig. 5. The square lattice coarse-grained as a region graph \mathcal{R} . Each square region ($\gamma_1, \gamma_2, \dots$) contains $n \times n$ vertices and all the interactions within these vertices ($n = 2$ in this particular example). Two nearest-neighboring regions interact through n edges.

region-graph BP of [12] and those obtained by the present region-graph loop-corrected BP. At each value of n the improvement of loop-corrected BP over BP is always very significant, suggesting that loop-corrected BP is a better choice than the naive BP for treating finite-dimensional lattice systems.

Wang and Zhou [9] also applied the generalized belief-propagation mean field theory of Yedidia and coworkers [6] to the two-dimensional Ising model. The critical inverse temperature predicted by GBP is $\beta_c \approx 0.4126$ for region size $n = 2$ and $\beta_c \approx 0.429$ for region size $n = 4$. These predictions are better than the results of loop-corrected BP at the corresponding values of n . To match the performance of GBP we may need to allow the memory set ϕ to contain three or even more regions.

6 Conclusion

In summary, we described in this paper the main ideas of the loop-corrected belief propagation method and tested its performance on the square-lattice Ising model. The results in Fig. 3 demonstrated that the loop-corrected BP method is much superior to the naive BP method.

The purpose of this paper is to introduce the basic idea behind the loop-corrected BP method. The performance of loop-corrected BP on the square-lattice and cubic-lattice spin glass models will be investigated and be reported in another paper.

Acknowledgement

Part of this work was carried out while one of the authors (HJZ) was visiting the Physics Department of Zhejiang University. HJZ thanks Prof. Bo Zheng for hospitality. This work was supported by the National Basic Research Program of China (grant number 2013CB932804) and by the National Natural Science Foundation of China (grant numbers 11121403 and 11225526).

Appendix: Message updating for a square region

To perform region-graph BP or loop-corrected BP iteration on a square lattice, the most demanding task is computing the joint probability distribution of spin states for the vertices on the boundary of a region. Let us consider the concrete example shown in Fig. 6. The central (C) square region contains $n \times n$ vertices with $n = 6$, and it receives messages from three other square regions on the left (L), bottom (B), and right (R) side. Denote by $\underline{\sigma}_T \equiv (\sigma_2, \sigma_3, \dots, \sigma_7)$ a generic spin configuration for the n vertices on the top (T) boundary of the central region. This spin configuration is affected by the interactions within the central region and the interactions between the central region and the three neighboring regions, and its probability distribution $P_T(\underline{\sigma}_T)$ is expressed as

$$P_T(\underline{\sigma}_T) \propto \sum_{\underline{\sigma}_{C \setminus T}} e^{-\beta E_C} \left[\sum_{\underline{\sigma}_L} P_L(\underline{\sigma}_L) e^{-\beta E_{L,C}} \right] \times \left[\sum_{\underline{\sigma}_B} P_B(\underline{\sigma}_B) e^{-\beta E_{B,C}} \right] \left[\sum_{\underline{\sigma}_R} P_R(\underline{\sigma}_R) e^{-\beta E_{R,C}} \right]. \quad (17)$$

In this expression, $\underline{\sigma}_{C \setminus T} \equiv (\sigma_{27}, \sigma_{28}, \dots, \sigma_{55}, \sigma_{56})$ is a spin configuration for all the other $(n - 1) \times n$ vertices of the central region except the n vertices at the top boundary, and E_C is the total internal energy of this central region; $\underline{\sigma}_L \equiv (\sigma_1, \sigma_{26}, \dots, \sigma_{22})$ is a spin configuration for the n boundary vertices of the left region, and $P_L(\underline{\sigma}_L)$ is an input probability distribution of $\underline{\sigma}_L$, and $E_{L,C}$ is the interaction energy between the left and the central region; similarly, $\underline{\sigma}_R \equiv (\sigma_{13}, \sigma_{12}, \dots, \sigma_8)$ is a spin configuration for the boundary vertices of the right region, $P_R(\underline{\sigma}_R)$ is an input probability distribution of $\underline{\sigma}_R$, $E_{R,C}$ is the interaction energy between the right and the central region, and $\underline{\sigma}_B \equiv (\sigma_{20}, \sigma_{19}, \dots, \sigma_{15})$ is a spin configuration for the boundary vertices of the bottom region, $P_B(\underline{\sigma}_B)$ is an input probability distribution of $\underline{\sigma}_B$, $E_{B,C}$ is the interaction energy between the bottom and the central region.

According to Eq. (17), one needs to sum over a total number of $2^{n(n+2)}$ different spin configurations to determine the output probability $P_T(\underline{\sigma}_T)$ of a single spin configuration $\underline{\sigma}_T$. A naive application of Eq. (17) is therefore feasible only for very small values of n (e.g., $n \leq 3$).

We now introduce a numerical trick that greatly accelerate this summation process. By this simple trick we reduce the total number of needed operations to sum over

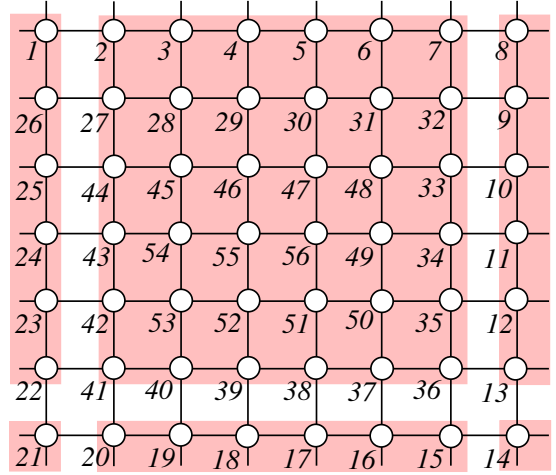


Fig. 6. The central square region contains $n \times n$ vertices ($n = 6$), and it interacts with the three nearest neighboring square regions (partly shown) on the left, bottom, and right side.

all the spin configurations from $O(2^{n(n+2)})$ to $O(n^2 2^n)$, and also dramatically reduce the total amount of storage space needed in the numerical computation.

First we notice that, due to the binary nature of the spins, a generic probability distribution $p(\sigma_1, \sigma_2, \dots, \sigma_n)$ over n spins can be written in the following form:

$$p(\sigma_1, \dots, \sigma_n) = \sum_{s_1=0}^1 \sum_{s_2=0}^1 \dots \sum_{s_n=0}^1 c_{s_1 s_2 \dots s_n} \sigma_1^{s_1} \sigma_2^{s_2} \dots \sigma_n^{s_n}, \quad (18)$$

where $s_i \in \{0, 1\}$ for $i = 1, 2, \dots, n$ and $\{c_{s_1 s_2 \dots s_n}\}$ is a set of 2^n coefficients, with $c_{00 \dots 0} \equiv 2^{-n}$ due to the normalization constraint. Therefore the probability distribution $p(\sigma_1, \sigma_2, \dots, \sigma_n)$ is completely characterized by the coefficient set $\{c_{s_1 s_2 \dots s_n}\}$.

Due to the fact that

$$e^{\beta h_i \sigma_i} \equiv \cosh(\beta h_i) [1 + \tanh(\beta h_i) \sigma_i], \quad (19a)$$

$$e^{\beta J_{ii'} \sigma_i \sigma_{i'}} \equiv \cosh(\beta J_{ii'}) [1 + \tanh(\beta J_{ii'}) \sigma_i \sigma_{i'}], \quad (19b)$$

then for $i, j \in \{1, 2, \dots, n\}$ (with $i < j$) and $i' \notin \{1, 2, \dots, n\}$,

$$e^{\beta h_i \sigma_i} p(\sigma_1, \dots, \sigma_n) = \cosh(\beta h_i) \sum_{s_1 s_2 \dots s_n} \sigma_1^{s_1} \sigma_2^{s_2} \dots \sigma_n^{s_n} \times [c_{s_1 s_2 \dots s_n} + \tanh(\beta h_i) c_{s_1 \dots s_{i-1} \bar{s}_i s_{i+1} \dots s_n}], \quad (20a)$$

$$\sum \sigma_i e^{\beta J_{ii'} \sigma_i \sigma_{i'}} p(\sigma_1, \dots, \sigma_n) = 2 \cosh(\beta J_{ii'}) \times \sum_{s_1 s_2 \dots s_n} \sigma_1^{s_1} \dots \sigma_{i-1}^{s_{i-1}} \sigma_i^{s_i} \sigma_{i+1}^{s_{i+1}} \dots \sigma_n^{s_n} \times [(1 - s_i + s_i \tanh(\beta J_{ii'}))] c_{s_1 s_2 \dots s_n}, \quad (20b)$$

$$e^{\beta J_{ij} \sigma_i \sigma_j} p(\sigma_1, \dots, \sigma_n) = \cosh(\beta J_{ij}) \times \sum_{s_1 s_2 \dots s_n} \sigma_1^{s_1} \sigma_2^{s_2} \dots \sigma_n^{s_n} [c_{s_1 s_2 \dots s_n} + \tanh(\beta J_{ij}) c_{s_1 \dots s_{i-1} \bar{s}_i s_{i+1} \dots s_{j-1} \bar{s}_j s_{j+1} \dots s_n}], \quad (20c)$$

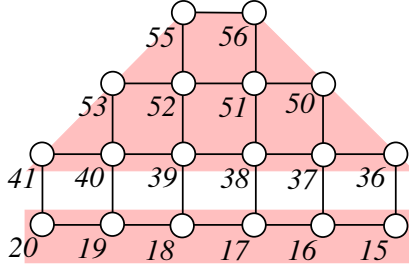


Fig. 7. Given an input probability distribution $P_B(\sigma_{20}, \dots, \sigma_{15})$ for the set $\{20, 19, \dots, 15\}$ of vertices on the bottom row, the probability distribution $Q_B(\sigma_{41}, \dots, \sigma_{36})$ for the set $\{41, 53, 55, 56, 50, 36\}$ of boundary vertices can be determined by recursion from the bottom row up to the top row.

where $\bar{s}_i = 1$ if $s_i = 0$ and $\bar{s}_i = 0$ if $s_i = 1$. Equation (20) therefore gives a set of rules on how the coefficients set $\{c_{s_1 s_2 \dots s_n}\}$ changes as $p(\sigma_1, \dots, \sigma_n)$ is perturbed by multiplication and summation.

We simplify the computation of Eq. (17) by treating the three input probability distributions separately. For example, starting from the input probability distribution $P_B(\sigma_{20}, \sigma_{19}, \dots, \sigma_{15})$ of the bottom region (see Fig. 7), we obtain a probability distribution $Q_B(\sigma_{41}, \sigma_{53}, \dots, \sigma_{36})$ for the set of n boundary vertices $\{41, 53, 55, 56, 50, 36\}$ through the following recursive process: (1) initialize the coefficients set of $Q_B(\cdot)$ to be identical to that of $P_B(\cdot)$; (2) then consider sequentially all the n vertical edges $\langle 20, 41 \rangle$, $\langle 19, 40 \rangle$, ..., $\langle 15, 36 \rangle$ between the central and the bottom region and modify the coefficients set of $Q_B(\cdot)$ according to Eq. (20b); (3) then consider sequentially all the $(n-1)$ horizontal edges $\langle 41, 40 \rangle$, $\langle 40, 39 \rangle$, ..., $\langle 37, 36 \rangle$ between the set of vertices $\{41, 40, 39, 38, 37, 36\}$ and further modify the coefficients set of $Q_B(\cdot)$ according to Eq. (20c); (4) then consider sequentially all the $(n-1)$ external fields on the set of internal vertices $\{40, 39, \dots, 37\}$ and further modify the coefficients set of $Q_B(\cdot)$ according to Eq. (20a); (5) repeat the previous three steps on the row containing the set of vertices $\{53, 52, 51, 50\}$: apply Eq. (20b) on the set of vertical edges $\{\langle 40, 53 \rangle, \dots, \langle 37, 50 \rangle\}$ and then apply Eq. (20c) on the horizontal edges $\langle 53, 52 \rangle$, $\langle 52, 51 \rangle$ and $\langle 51, 50 \rangle$, and then apply Eq. (20a) on the internal vertices 52 and 51; (6) finally, apply Eq. (20b) on the edges $\langle 52, 55 \rangle$ and $\langle 51, 56 \rangle$, and apply Eq. (20c) on edge $\langle 55, 56 \rangle$ and then output the coefficients set of $Q_B(\sigma_{41}, \sigma_{53}, \sigma_{55}, \sigma_{56}, \sigma_{50}, \sigma_{36})$.

The joint probability distributions $Q_L(\sigma_2, \dots, \sigma_{41})$ for the set of vertices $\{2, 28, 46, 55, 53, 41\}$ and $Q_R(\sigma_{36}, \dots, \sigma_7)$ for the set of vertices $\{36, 50, 56, 47, 31, 7\}$, see Fig. 6, are obtained through the same recursive process starting from $P_L(\cdot)$ and $P_R(\cdot)$, respectively. The only additional feature is that we now need to consider the external fields of all the vertices in these two boundary sets (again through applying Eq. (20a) to $Q_L(\cdot)$ and $Q_R(\cdot)$ repeatedly).

With these preparations, we then obtain a joint probability distribution $Q(\sigma_2, \dots, \sigma_7)$ for the set of vertices

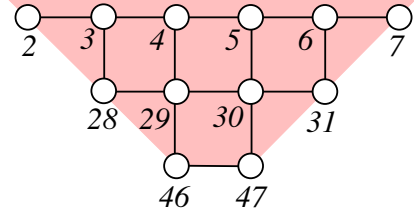


Fig. 8. Given an input joint probability distribution $Q(\sigma_2, \dots, \sigma_7)$ for the set $\{2, 28, 46, 47, 31, 7\}$ of vertices on the bottom boundary, the joint probability distribution $P_T(\sigma_2, \dots, \sigma_7)$ for the set $\{2, 3, 4, 5, 6, 7\}$ on the top row can be determined recursively from the bottom row up to the top row.

$\{2, 28, 46, 47, 31, 7\}$ through the following expression:

$$\begin{aligned}
 Q(\sigma_2, \sigma_{28}, \sigma_{46}, \sigma_{47}, \sigma_{31}, \sigma_7) &\propto e^{\beta J_{46,47} \sigma_{46} \sigma_{47}} \times \\
 &\sum_{\sigma_{41}, \sigma_{53}, \sigma_{55}} \sum_{\sigma_{56}, \sigma_{50}, \sigma_{36}} Q_L(\sigma_2, \sigma_{28}, \sigma_{46}, \sigma_{55}, \sigma_{53}, \sigma_{41}) \\
 &\quad \times Q_B(\sigma_{41}, \sigma_{53}, \sigma_{55}, \sigma_{56}, \sigma_{50}, \sigma_{36}) \\
 &\quad \times Q_R(\sigma_{36}, \sigma_{50}, \sigma_{56}, \sigma_{47}, \sigma_{31}, \sigma_7) \\
 &\propto e^{\beta J_{46,47} \sigma_{46} \sigma_{47}} \sum_{s_2 s_{28} s_{46} s_{47} s_{31} s_7} \sigma_2^{s_2} \sigma_{28}^{s_{28}} \sigma_{46}^{s_{46}} \sigma_{47}^{s_{47}} \sigma_{31}^{s_{31}} \sigma_7^{s_7} \\
 &\quad \times \sum_{s_{55} s_{53} s_{41} s_{36} s_{50} s_{56}} c_{s_2 s_{28} s_{46} s_{47} s_{31} s_7}^{(L)} \\
 &\quad \times c_{s_{41} s_{53} s_{55} s_{56} s_{50} s_{36}}^{(B)} c_{s_{36} s_{50} s_{56} s_{47} s_{31} s_7}^{(R)}. \quad (21)
 \end{aligned}$$

In the above expression, the coefficient sets $\{c_{s_2 \dots s_{41}}^{(L)}\}$, $\{c_{s_{41} \dots s_{36}}^{(B)}\}$, and $\{c_{s_{36} \dots s_7}^{(R)}\}$ correspond to $Q_L(\cdot)$, $Q_B(\cdot)$, and $Q_R(\cdot)$, respectively. The effect of the multiplication term $e^{\beta J_{46,47} \sigma_{46} \sigma_{47}}$ to the coefficient set of the probability distribution $Q(\cdot)$ can again be obtained through Eq. (20c).

Finally, the probability distribution $P_T(\sigma_2, \dots, \sigma_7)$ for the set $\{2, 3, 4, 5, 6, 7\}$ of vertices at the top boundary is determined from $Q(\sigma_2, \sigma_{28}, \sigma_{46}, \sigma_{47}, \sigma_{31}, \sigma_7)$ through the following recursive process (see Fig. 8): (1) set the coefficients set of $P_T(\cdot)$ to be identical to that of $Q(\cdot)$; (2) then consider the vertical edges $\langle 29, 46 \rangle$ and $\langle 30, 47 \rangle$ sequentially and modify the coefficients set of $P_T(\cdot)$ according to Eq. (20b); (3) then consider all the horizontal edges $\langle 28, 29 \rangle$, $\langle 29, 30 \rangle$, and $\langle 30, 31 \rangle$ between the set of vertices $\{28, 29, 30, 31\}$ and the external fields on vertices 29 and 30 and further modify the coefficients set of $P_T(\cdot)$ according to Eq. (20c) and Eq. (20a, respectively); (4) repeat the operations of steps (2) and (3) on the vertical edges between the top and the second row of Fig. 8, the horizontal edges of the top row, and the set of vertices $\{3, 4, 5, 6\}$. We then output the resulting coefficient set of $P_T(\cdot)$ as the result of original computing task Eq. (17).

It is straightforward to extend the numerical trick of this appendix to other values of even n and also to the cases of n being odd. For studying lattice models on a three-dimensional cubic lattice, this same trick can be applied to a cubic region containing $n \times n \times n$ vertices.

References

1. Pearl, J. *Probabilistic Reasoning in Intelligent Systems: Networks of Plausible Inference* (Morgan Kaufmann, San Francisco, CA, USA, 1988).
2. Mézard, M., Parisi, G. & Virasoro, M. A. *Spin Glass Theory and Beyond* (World Scientific, Singapore, 1987).
3. Bethe, H. A. Statistical theory of superlattices. *Proc. R. Soc. London A* **150**, 552–575 (1935).
4. Peierls, R. On ising’s model of ferromagnetism. *Proc. Camb. Phil. Soc.* **32**, 477–481 (1936).
5. Mézard, M. & Montanari, A. *Information, Physics, and Computation* (Oxford Univ. Press, New York, 2009).
6. Yedidia, J. S., Freeman, W. T. & Weiss, Y. Constructing free-energy approximations and generalized belief-propagation algorithms. *IEEE Trans. Inf. Theory* **51**, 2282–2312 (2005).
7. Pelizzola, A. Cluster variation method in statistical physics and probabilistic graphical models. *J. Phys. A: Meth. Gen.* **38**, R309–R339 (2005).
8. Rizzo, T., Lage-Castellanos, A., Mulet, R. & Ricci-Tersenghi, F. Replica cluster variational method. *J. Stat. Phys.* **139**, 375–416 (2010).
9. Wang, C. & Zhou, H.-J. Simplifying generalized belief propagation on redundant region graphs. *J. Phys.: Conf. Series* **473**, 012004 (2013).
10. Kikuchi, R. A theory of cooperative phenomena. *Phys. Rev.* **81**, 988–1003 (1951).
11. An, G. A note on the cluster variation method. *J. Stat. Phys.* **52**, 727–734 (1988).
12. Zhou, H. J. & Wang, C. Region graph partition function expansion and approximate free energy landscapes: Theory and some numerical results. *J. Stat. Phys.* **148**, 513–547 (2012).
13. Edwards, S. F. & Anderson, P. W. Theory of spin glasses. *J. Phys. F: Met. Phys.* **5**, 965–974 (1975).
14. Nishimori, H. *Statistical Physics of Spin Glasses and Information Processing: An Introduction* (Clarendon Press, Oxford, 2001).
15. Ising, E. Beitrag zur theorie des ferromagnetismus. *Zeit. Physik* **31**, 253–258 (1925).
16. Huang, K. *Statistical Mechanics* (John Wiley, New York, 1987), second edn.
17. Zhou, H.-J. *Spin Glass and Message-Passing (in Chinese)* (Science Press, Beijing, 2015).
18. Kramers, H. A. & Wannier, G. H. Statistics of the two-dimensional ferromagnet. part i. *Phys. Rev.* **60**, 252–262 (1941).
19. Kramers, H. A. & Wannier, G. H. Statistics of the two-dimensional ferromagnet. part ii. *Phys. Rev.* **60**, 263–276 (1941).
20. Morgenstern, I. & Binder, K. Magnetic correlations in two-dimensional spin-glasses. *Phys. Rev. B* **22**, 288–303 (1980).
21. Saul, L. & Kardar, M. Exact integer algorithm for the two-dimensional $\pm j$ ising spin glass. *Phys. Rev. E* **48**, R3221–R3224 (1993).
22. Jörg, T., Lukic, J., Marinari, E. & Martin, O. C. Strong universality and algebraic scaling in two-dimensional ising spin glasses. *Phys. Rev. Lett.* **96**, 237205 (2006).
23. Thomas, C. K. & Middleton, A. A. Exact algorithm for sampling the two-dimensional ising spin glass. *Phys. Rev. E* **80**, 046708 (2009).
24. Thomas, C. K., Huse, D. A. & Middleton, A. A. Zero- and low-temperature behavior of the two-dimensional $\pm j$ ising spin glass. *Phys. Rev. Lett.* **107**, 047203 (2011).