

SModelS v1.0: a short user guide

Sabine Kraml¹, Suchita Kulkarni^{1,2}, Ursula Laa^{1,2}, Andre Lessa³,
Veronika Magerl², Wolfgang Magerl², Doris Proschofsky-Spindler^{2*},
Michael Traub², Wolfgang Waltenberger²

¹*Laboratoire de Physique Subatomique et de Cosmologie, Université Grenoble-Alpes, CNRS/IN2P3,
53 Avenue des Martyrs, F-38026 Grenoble, France*

²*Institut für Hochenergiephysik, Österreichische Akademie der Wissenschaften,
Nikolsdorfer Gasse 18, 1050 Wien, Austria*

³*Instituto de Física, Universidade de São Paulo, São Paulo - SP, Brazil*

Email: smodels-users@lists.oeaw.ac.at

Abstract

SModelS is a tool for the automatic interpretation of simplified-model results from the LHC. Version 1.0 of the code is now publicly available. This document provides a quick user guide for installing and running SModelS v1.0.

*Present address: Leopoldsgasse 21/2/11, 1020 Wien

1 Introduction

SModelS [1] is an automatised tool for interpreting simplified-model results from the LHC. It is based on a general procedure to decompose Beyond the Standard Model (BSM) collider signatures presenting a Z_2 symmetry into Simplified Model Spectrum (SMS) topologies. Our concrete implementation currently focusses on supersymmetry (SUSY) searches with missing transverse energy, for which a large variety of SMS results from ATLAS and CMS are available. The main ingredients of SModelS are

- the decomposition of the BSM spectrum into SMS topologies,
- the database of experimental SMS results,
- the interface between decomposition and the results database.

The working principle is illustrated schematically in Fig. 1.

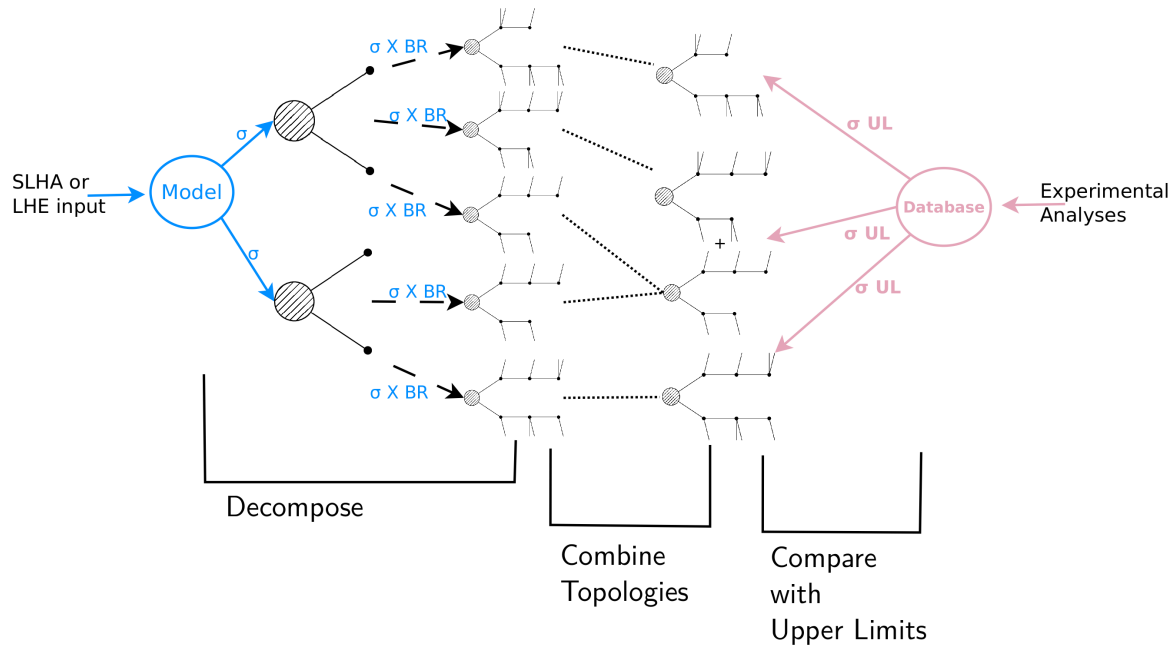


Figure 1: Schematic view of the working principle of SModelS.

Version 1.0 of SModelS is now publicly available. This document provides a short user guide for the installation and for running SModelS v1.0. More details can be found in the primary physics publication [1] and in the documentation provided with the code (an html manual, which is also available online at [2]). In case of problems using SModelS v1.0, we kindly ask the user to contact the authors at smodels-users@lists.oeaw.ac.at.

2 Download and Installation

SModelS is a Python library that requires Python version 2.6 or later (but not version 3). Internally, SModelS v1.0 uses Pythia 6.4.27 [3], NLL-fast versions 1.2 and 2.1 [4] (see also [5–11]) and a modified version of PySLHA [12]. It has been tested on Ubuntu 14.X, Scientific Linux (CERN) 5 and 6, as well as on Mac Os X 10.9 and 10.10.

The SModelS v1.0 package can be downloaded from [2]. Unpacking the tar ball with

```
tar -zxvf smodels-v1.0.tgz
```

creates the directory `smodels-v1.0`, where the code (subdirectory `smodels`) and the results database (subdirectory `smodels-database`) are located.

For installation, SModelS makes use of Python’s `setuptools`. On most machines (apart from SL and SLC)

```
python setup.py install
```

inside the `smodels-v1.0` directory should install the entire project, resolving automatically the external Python dependencies and compiling the internal Pythia 6 and NLL-fast versions using `gfortran`. Note that depending on the path specified in `setup.py` you may need to do the installation as superuser.

More details on the installation procedure, external dependencies and in particular instructions for installation on Scientific Linux can be found in the README file in `smodels-v1.0`.

3 Citation

When you use results obtained with SModelS v1.0 in a publication, please cite this document as well as the original SModelS paper [1], Pythia 6.4 [3], NLL-fast [5–11], and PySLHA [12]. For convenience, these citations are provided in bibtex format in the SModelS v1.0 distribution.

4 Using SModelS

4.1 Basic input

SModelS v1.0 can be used with two forms of inputs

- SLHA (SUSY Les Houches Accord) [13] files containing masses, branching ratios and cross-sections, or
- LHE (Les Houches Event) [14] files containing parton-level events.

The SLHA format is usually more compact and best suited for supersymmetric models. On the other hand, a LHE file can always be generated for any BSM model (through the use of your favorite

Monte Carlo generator).² In this case, however, the precision of the results is limited by the MC statistics used to generate the file.

In the case of **SLHA input**, the production cross sections for the BSM states also have to be included as SLHA blocks, according to the SLHA cross-section format [15]. For the MSSM and some of its extensions, the cross sections can be conveniently calculated and added to the SLHA input file by means of the internal SModelS' `xseccomputer` described in the tools section of the html manual.

In the case of **LHE input**, the total production cross-section as well as the center-of-mass energy should be listed in the `<init></init>` block, according to the standard LHE format. Moreover, all the Z_2 -even BSM particles (*e.g.*, additional Higgs states) should be set as stable, since in SModelS v1.0 they are effectively considered as final states.

Besides information about the masses and branching ratios (\mathcal{B}), the user must also **define** which of the particles are Z_2 -**odd states** and which are Z_2 -even. This is done in the `particles.py` file, where some default values (for SM and MSSM particles) are already loaded. Finally, if the user wants to check the SLHA input file for possible issues using SModelS' `slhachecker`, it is also necessary to define the BSM particle quantum numbers in `particles.py`.

4.2 runSModelS.py

For the first-time user, SModelS ships with a command-line tool, `runSModelS.py`, which covers several different applications of the SModelS functionalities. These functionalities include detailed checks of input SLHA or LHE files, running the SMS decomposition, evaluating the theory predictions for the input model and comparing them to the experimental limits available in the database, determining the most important missing topologies and printing a summary text file.

The usage is

```
runSModelS.py -f INPUTFILE [-p PARAMETERFILE] [-o OUTPUTFILE]
```

Some comments are in order.

- The INPUTFILE can be an SLHA or LHE file as explained in Section 4.1.
- The PARAMETERFILE controls the basic options and parameters used by `runSModelS.py`. An example including all available parameters together with a short description, is provided as `parameters.ini`. If no parameter file is specified, the default parameters stored in `etc/parameters_default.ini` are used. Note that the input type (SLHA or LHE) needs to be properly specified in the parameter file.
- If no OUTPUTFILE is specified, the file output will be printed to `summary.txt`.

²SModelS v1.0 can easily be used for non-SUSY models as long as they present a Z_2 -type symmetry. However, it is the responsibility of the user to make sure that the SMS results in the database actually apply to the model under consideration. In this context, see also the caveats in [1].

4.3 Default output

The results of `runSMODELS.py` are printed to the screen and to the output (summary) file. The level of detail is controlled via the parameters file. The screen output comprises

- a full list of the topologies generated by the decomposition procedure (if `printDecomp = True`),
- a list of all the analyses considered (if `printAnalyses = True`),
- a list of all the theory predictions obtained and the corresponding upper limits from the experiments (if `printResults = True`),
- possible warnings or error messages.

The file output contains status flags for the input file and the decomposition, indicating possible problems. The status flags are followed by the name of the input file, basic information on the run parameters, and the version of the database used. This looks as follows:

```
Input status: 1
Decomposition output status: 1 #decomposition was successful
#Input File: inputFiles/slha/gluino_squarks.slha
#maxcond = 0.2
#minmassgap = 5.
#sigmacut = 0.03
#Database version: GrenobleNov2014 (27/11/2014)
```

The main part of the output file is then the list of analyses which constrain the input model. For each analysis, its ID, Tx name,³ centre-of-mass energy and the amount of condition violation are given, followed by the predicted signal cross section and the 95% CL experimental upper limit on it. The last entry in the line is the ratio r of the signal cross-section and the upper limit, $r = \sigma(\text{predicted})/\sigma(\text{excluded})$, where σ effectively means $\sigma \times \mathcal{B}$ or the weight of the topology. A value of $r \geq 1$ means that the input model is likely excluded by the corresponding analysis. Concretely, this looks like this:

```
#Analysis Tx_Name Sqrts Cond. Violation Theory_Value(fb) Exp_limit(fb) r
CMS-PAS-SUS-13-019 T2 8.00E+00 0.0 1.773E+00 3.762E+00 4.714E-01
#[[['jet']], [['jet']]]
-----
CMS-SUS-13-012 T2 8.00E+00 0.0 1.773E+00 6.099E+00 2.907E-01
#[[['jet']], [['jet']]]
-----
ATLAS-SUSY-2013-12 TChiWZ 8.00E+00 0.0 1.847E+01 3.301E+02 5.595E-02
#[[['W']], [['Z']]]
-----
```

In this example, the topologies tested by the analysis are shown in bracket notation just below the analysis entry, here e.g. `[[['jet']], [['jet']]]`. This can be turned off by setting `addConstraintInfo = False` in the parameter file. The last line of this block reports the maximum value of r :

The highest r value is 4.71E-01

³The **Tx names** are explained in the SMS dictionary on <http://smodels.hephy.at/wiki/SmsDictionary>.

The detailed breakdown can be switched off by setting `expandedSummary=False`; in this case only the most constraining analysis (the one with the maximum r value) is printed.

Finally, if `findMissingTopos = True`, a list of the missing topologies (in bracket notation) and their cross sections at the given \sqrt{s} is also included. This list is ordered from high to low cross sections; per default only the 10 leading ones are printed. An example is shown below:

```
Missing topologies with the highest cross-sections (up to 10):
Sqrts (TeV)   Weight (fb)   #   Element description
8.00E+00     1.567E+01   #   [[[jet],[W]],[[jet, jet],[W]]]
8.00E+00     1.395E+01   #   [[[jet],[jet, jet],[W]],[[jet, jet],[W]]]
```

For more details, including an explanation of the bracket notation, we refer the user to the html manual.

4.4 Using SModelS v1.0 as a Python library

Although `runSModelS.py` provides the main SModelS features with a command line interface, users familiar with Python and the SModelS language may prefer to write their own main program, using SModelS v1.0 as a Python library. A simple example code for this purpose is provided as `Example.py` in the SModelS v1.0 distribution. Further examples are presented in the “More Examples” section of the manual.

5 List of experimental results included in the database

The SModelS v1.0 database comprises a large number of SMS results from ATLAS and CMS SUSY searches at $\sqrt{s} = 8$ TeV. Most of them are for full luminosity. The 7 TeV results will be included in a later release together with more 8 TeV results and we plan to update the database in a regular basis in the future. Concretely, in the default run mode, the following results are considered:⁴

ID	short description	L	Ref.	Tx names
ATLAS-SUSY-2013-02	0 leptons + 2–6 jets + \cancel{E}_T	20.3	[16]	T1, T2
ATLAS-SUSY-2013-04	0 leptons + ≥ 7 –10 jets + \cancel{E}_T	20.3	[17]	T1tttt
ATLAS-SUSY-2013-05	0 leptons + 2 b-jets + \cancel{E}_T	20.1	[18]	T2bb
ATLAS-SUSY-2013-11	2 leptons (e, μ) + \cancel{E}_T	20.3	[19]	TChiWZ, TSlepSlep
ATLAS-SUSY-2013-12	3 leptons (e, μ, τ) + \cancel{E}_T	20.3	[20]	TChiWH, TChiWZ(off)
ATLAS-SUSY-2013-14	2 taus + \cancel{E}_T	20.3	[21]	TStauStau
ATLAS-SUSY-2013-15	1 lepton + 4(1 b-)jets + \cancel{E}_T	20.3	[22]	T2tt, T2bbWW
ATLAS-SUSY-2013-19	2 leptons + (b)jets + \cancel{E}_T	20.3	[23]	T2tt, T2bbWW, T6bbWW
ATLAS-CONF-2012-105	2 SS leptons + ≥ 4 jets + \cancel{E}_T	5.7	[24]	T1tttt
ATLAS-CONF-2013-007	2 SS leptons + 0–3 b-jets + \cancel{E}_T	20.7	[25]	T1tttt
ATLAS-CONF-2013-024	0 lepton + 6 (2 b-)jets + \cancel{E}_T	20.5	[26]	T2tt
ATLAS-CONF-2013-061	0–1 leptons + ≥ 3 b-jets + \cancel{E}_T	20.1	[27]	T1bbbb, T1tttt
ATLAS-CONF-2013-065	2 leptons + (b)jets + \cancel{E}_T	20.3	[28]	T2tt

⁴The luminosity L is given in $[\text{fb}^{-1}]$; the shorthand notation T1tttt(off) stands for “T1tttt and T1ttttoff” (on-shell and off-shell, respectively). Likewise TChiWZ(off) denotes “TChiWZ and TChiWZoff”.

ID	short description	L	Ref.	Tx names
CMS-SUS-12-024	0 leptons + $\geq 3(1 \text{ b-})\text{jets} + \cancel{E}_T$	19.4	[29]	T1bbbb, T1tttt(off), T5tttt
CMS-SUS-12-028	jets + \cancel{E}_T, α_T	11.7	[30]	T1, T1bbbb, T1tttt, T2, T2bb
CMS-SUS-13-002	≥ 3 leptons (+jets) + \cancel{E}_T	19.5	[31]	T1tttt
CMS-SUS-13-006	EW productions with decays to leptons, W, Z, and Higgs	19.5	[32]	TChiWZ(off), TSlepSlep, TChiChipmSlepL, TChiChipmSlepStau
CMS-SUS-13-007	1 lepton + ≥ 2 b-jets + \cancel{E}_T	19.3	[33]	T1tttt(off)
CMS-SUS-13-011	1 lepton + $\geq 4(1 \text{ b-})\text{jets} + \cancel{E}_T$	19.5	[34]	T2tt, T6bbWW
CMS-SUS-13-012	jet multiplicity + \cancel{H}_T	19.5	[35]	T1, T1tttt(off), T2
CMS-SUS-13-013	2 SS leptons + (b-)jets + \cancel{E}_T	19.5	[36]	T1tttt(off),
CMS-PAS-SUS-13-008	3 leptons + (b)jets + \cancel{E}_T	19.5	[37]	T6ttWW, T1tttt
CMS-PAS-SUS-13-016	2 OS leptons + $\geq 4(2\text{b-})\text{jets} + \cancel{E}_T$	19.7	[38]	T1tttt(off)
CMS-PAS-SUS-13-018	1–2 b-jets + \cancel{E}_T, M_{CT}	19.4	[39]	T2bb
CMS-PAS-SUS-13-019	hadronic M_{T2}	19.5	[40]	T1, T1bbbb, T1tttt(off), T2, T2tt, T2bb
CMS-PAS-SUS-14-011	razor with b-jets	19.3	[41]	T1bbbb, T1tttt(off), T2tt

A bibtex file, `database.bib`, is available in the `smodels-database/8TeV` folder, which can conveniently be used for citing these analyses.

The database contains moreover the entries of several preliminary results (ATLAS conference notes or CMS analysis summaries) which were superseded by a publication. These results are not listed here, and are not used when running `runSModelS.py`. They can be activated by

```
smsAnalysisFactory.load(useSuperseded=True)
```

when using `SModelS v1.0` as a Python library. (For more details, see "How to load the database" in the "More Examples" section of the html manual.) Such superseded results can be useful, *e.g.*, for comparing with older studies. It is, however, strongly discouraged to use them in any other case.

Last but not least we note that for topologies with more than one step in the decay chain, *e.g.* charginos decaying through intermediate sleptons, or stops decaying into bottom plus chargino followed by the chargino decay into the lightest neutralino, we need several (more than one) mass planes in order to interpolate between them. *Whenever only one mass plane is provided, the result is not useful for our purpose and thus not included in the database.*

6 Conclusions

We presented the first public release of `SModelS`, an automatic tool for interpreting simplified-model results from the LHC in generic models possessing a Z_2 symmetry. `SModelS v1.0` consists of a SMS decomposition procedure, a database of SMS cross section upper limits from ATLAS and CMS, and an interface between these two components to confront the theoretical predictions of BSM models with the experimental results. The database of `v1.0` comprises results from 13 ATLAS and 13 CMS SUSY searches at 8 TeV, corresponding to 21 ATLAS and 41 CMS results when counting the individual results (Tx names) in the different publications. In this document, we provided the basic

instructions for installing and running SModelS v1.0 and understanding its output. More detailed explanations are given in the html manual which comes as part of the SModelS v1.0 distribution.

We hope that SModelS v1.0 will be a useful tool for the High-Energy Physics community and contribute to the legacy of the LHC results. Here note that SModelS v1.0 can be used not only to test whether a particular scenario is excluded by the recent LHC results — it can also be conveniently used to classify untested regions, missing topologies and new signatures that might be interesting to look for.

This said, the release of SModelS v1.0 is but the beginning of the story. Several extensions and improvements are already in development. One such extension will be a more extensive database of experimental results, ideally comprising also non-SUSY searches. This, however, depends also on the co-operation of the ATLAS and CMS search groups in making the relevant information available. Another extension will be the inclusion of efficiency maps. This will be a major upgrade of the code. Further plans include ways to determine the most sensitive analysis and ways to combine results from different analyses, extensions to asymmetric branches (if suitable experimental results become available for this) and signatures without missing energy.

Acknowledgements

We thank the ATLAS and CMS SUSY groups for helpful discussions on their results, and in particular for providing (most of) the SMS cross section upper limits used here in digital format.

This work is supported in part by the French ANR project DMASTROLHC. Su.K. is supported by the “New Frontiers” program of the Austrian Academy of Sciences. U.L. is supported by the “Investissements d’avenir, Labex ENIGMASS”. A.L. is supported by FAPESP; he acknowledges moreover the hospitality of LPSC Grenoble and of HEPHY Vienna. V.M. is grateful for financial support by the FEMtech initiative of the BMVIT of Austria.

References

- [1] S. Kraml, S. Kulkarni, U. Laa, A. Lessa, W. Magerl, D. Proschofsky, and W. Waltenberger, “SModelS: a tool for interpreting simplified-model results from the LHC and its application to supersymmetry,” *Eur.Phys.J.* **C74** (2014) 2868, [1312.4175](#).
- [2] <http://smodels.hephy.at>.
- [3] T. Sjostrand, S. Mrenna, and P. Z. Skands, “PYTHIA 6.4 Physics and Manual,” *JHEP* **0605** (2006) 026, [hep-ph/0603175](#).
- [4] http://pauli.uni-muenster.de/~akule_01/nllwiki/index.php/NLL-fast.
- [5] W. Beenakker, R. Hopker, M. Spira, and P. Zerwas, “Squark and gluino production at hadron colliders,” *Nucl.Phys.* **B492** (1997) 51–103, [hep-ph/9610490](#).
- [6] W. Beenakker, M. Krämer, T. Plehn, M. Spira, and P. Zerwas, “Stop production at hadron colliders,” *Nucl.Phys.* **B515** (1998) 3–14, [hep-ph/9710451](#).

- [7] A. Kulesza and L. Motyka, “Threshold resummation for squark-antisquark and gluino-pair production at the LHC,” *Phys.Rev.Lett.* **102** (2009) 111802, [0807.2405](#).
- [8] A. Kulesza and L. Motyka, “Soft gluon resummation for the production of gluino-gluino and squark-antisquark pairs at the LHC,” *Phys.Rev.* **D80** (2009) 095004, [0905.4749](#).
- [9] W. Beenakker, S. Brensing, M. Krämer, A. Kulesza, E. Laenen, *et al.*, “Soft-gluon resummation for squark and gluino hadroproduction,” *JHEP* **0912** (2009) 041, [0909.4418](#).
- [10] W. Beenakker, S. Brensing, M. Krämer, A. Kulesza, E. Laenen, *et al.*, “Supersymmetric top and bottom squark production at hadron colliders,” *JHEP* **1008** (2010) 098, [1006.4771](#).
- [11] W. Beenakker, S. Brensing, M. Krämer, A. Kulesza, E. Laenen, *et al.*, “Squark and Gluino Hadroproduction,” *Int.J.Mod.Phys.* **A26** (2011) 2637–2664, [1105.1110](#).
- [12] A. Buckley, “PySLHA: a Pythonic interface to SUSY Les Houches Accord data,” [1305.4194](#).
- [13] P. Z. Skands, B. Allanach, H. Baer, C. Balazs, G. Belanger, *et al.*, “SUSY Les Houches accord: Interfacing SUSY spectrum calculators, decay packages, and event generators,” *JHEP* **0407** (2004) 036, [hep-ph/0311123](#).
- [14] J. Alwall, A. Ballestrero, P. Bartalini, S. Belov, E. Boos, *et al.*, “A Standard format for Les Houches event files,” *Comput.Phys.Commun.* **176** (2007) 300–304, [hep-ph/0609017](#).
- [15] <http://phystev.cnrs.fr/wiki/2013:groups:tools:slha>.
- [16] **ATLAS** Collaboration, G. Aad *et al.*, “Search for squarks and gluinos with the ATLAS detector in final states with jets and missing transverse momentum using $\sqrt{s} = 8$ TeV proton–proton collision data,” *JHEP* **1409** (2014) 176, [1405.7875](#).
- [17] **ATLAS** Collaboration, G. Aad *et al.*, “Search for new phenomena in final states with large jet multiplicities and missing transverse momentum at $\sqrt{s} = 8$ TeV proton-proton collisions using the ATLAS experiment,” *JHEP* **1310** (2013) 130, [1308.1841](#).
- [18] **ATLAS** Collaboration, G. Aad *et al.*, “Search for direct third-generation squark pair production in final states with missing transverse momentum and two b -jets in $\sqrt{s} = 8$ TeV pp collisions with the ATLAS detector,” *JHEP* **1310** (2013) 189, [1308.2631](#).
- [19] **ATLAS** Collaboration, G. Aad *et al.*, “Search for direct production of charginos, neutralinos and sleptons in final states with two leptons and missing transverse momentum in pp collisions at $\sqrt{s} = 8$ TeV with the ATLAS detector,” *JHEP* **1405** (2014) 071, [1403.5294](#).
- [20] **ATLAS** Collaboration, G. Aad *et al.*, “Search for direct production of charginos and neutralinos in events with three leptons and missing transverse momentum in $\sqrt{s} = 8$ TeV pp collisions with the ATLAS detector,” *JHEP* **1404** (2014) 169, [1402.7029](#).

- [21] **ATLAS** Collaboration, G. Aad *et al.*, “Search for the direct production of charginos, neutralinos and staus in final states with at least two hadronically decaying taus and missing transverse momentum in pp collisions at $\sqrt{s} = 8$ TeV with the ATLAS detector,” *JHEP* **1410** (2014) 96, [1407.0350](#).
- [22] **ATLAS** Collaboration, G. Aad *et al.*, “Search for top squark pair production in final states with one isolated lepton, jets, and missing transverse momentum in $\sqrt{s} = 8$ TeV pp collisions with the ATLAS detector,” [1407.0583](#).
- [23] **ATLAS** Collaboration, G. Aad *et al.*, “Search for direct top-squark pair production in final states with two leptons in pp collisions at $\sqrt{s} = 8$ TeV with the ATLAS detector,” *JHEP* **1406** (2014) 124, [1403.4853](#).
- [24] **ATLAS** Collaboration, “Search for Supersymmetry in final states with two same-sign leptons, jets and missing transverse momentum with the ATLAS detector in pp collisions at $\sqrt{s} = 8$ TeV,” Tech. Rep. ATLAS-CONF-2012-105, CERN, Geneva, Aug, 2012.
- [25] **ATLAS** Collaboration, “Search for strongly produced superpartners in final states with two same sign leptons with the ATLAS detector using 21 fb⁻¹ of proton-proton collisions at $\sqrt{s} = 8$ TeV,” Tech. Rep. ATLAS-CONF-2013-007, CERN, Geneva, Mar, 2013.
- [26] **ATLAS** Collaboration, “Search for direct production of the top squark in the all-hadronic $t\bar{t}$ + \cancel{E}_T final state in 21 fb⁻¹ of pp -collisions at $\sqrt{s} = 8$ TeV with the ATLAS detector,” Tech. Rep. ATLAS-CONF-2013-024, CERN, Geneva, Mar, 2013.
- [27] **ATLAS** Collaboration, “Search for strong production of supersymmetric particles in final states with missing transverse momentum and at least three b-jets using 20.1 fb⁻¹ of pp collisions at $\sqrt{s} = 8$ TeV with the ATLAS Detector,” Tech. Rep. ATLAS-CONF-2013-061, CERN, Geneva, Jun, 2013.
- [28] **ATLAS** Collaboration, “Searches for direct scalar top pair production in final states with two leptons using the transverse mass variable and a multivariate analysis technique in $\sqrt{s} = 8$ TeV pp collisions using 20.3 fb⁻¹ of ATLAS data,” Tech. Rep. ATLAS-CONF-2013-065, CERN, Geneva, Jul, 2013.
- [29] **CMS** Collaboration, S. Chatrchyan *et al.*, “Search for gluino mediated bottom- and top-squark production in multijet final states in pp collisions at 8 TeV,” *Phys.Lett.* **B725** (2013) 243–270, [1305.2390](#).
- [30] **CMS** Collaboration, S. Chatrchyan *et al.*, “Search for supersymmetry in hadronic final states with missing transverse energy using the variables α_T and b-quark multiplicity in pp collisions at $\sqrt{s} = 8$ TeV,” *Eur.Phys.J.* **C73** (2013), no. 9, 2568, [1303.2985](#).
- [31] **CMS** Collaboration, S. Chatrchyan *et al.*, “Search for anomalous production of events with three or more leptons in pp collisions at $\sqrt{s} = 8$ TeV,” *Phys.Rev.* **D90** (2014) 032006, [1404.5801](#).

- [32] **CMS** Collaboration, V. Khachatryan *et al.*, “Searches for electroweak production of charginos, neutralinos, and sleptons decaying to leptons and W, Z, and Higgs bosons in pp collisions at 8 TeV,” *Eur.Phys.J.* **C74** (2014), no. 9, 3036, [1405.7570](#).
- [33] **CMS** Collaboration, S. Chatrchyan *et al.*, “Search for supersymmetry in pp collisions at $\sqrt{s} = 8$ TeV in events with a single lepton, large jet multiplicity, and multiple b jets,” *Phys.Lett.* **B733** (2014) 328–353, [1311.4937](#).
- [34] **CMS** Collaboration, S. Chatrchyan *et al.*, “Search for top-squark pair production in the single-lepton final state in pp collisions at $\sqrt{s} = 8$ TeV,” *Eur.Phys.J.* **C73** (2013), no. 12, 2677, [1308.1586](#).
- [35] **CMS** Collaboration, S. Chatrchyan *et al.*, “Search for new physics in the multijet and missing transverse momentum final state in proton-proton collisions at $\sqrt{s} = 8$ TeV,” *JHEP* **1406** (2014) 055, [1402.4770](#).
- [36] **CMS** Collaboration, S. Chatrchyan *et al.*, “Search for new physics in events with same-sign dileptons and jets in pp collisions at $\sqrt{s} = 8$ TeV,” *JHEP* **1401** (2014) 163, [1311.6736](#).
- [37] **CMS** Collaboration, “Search for supersymmetry in pp collisions at $\sqrt{s} = 8$ TeV in events with three leptons and at least one b-tagged jet,” Tech. Rep. CMS-PAS-SUS-13-008, CERN, Geneva, 2013.
- [38] **CMS** Collaboration, “Search for supersymmetry in pp collisions at $\sqrt{s} = 8$ TeV in events with two opposite sign leptons, large number of jets, b-tagged jets, and large missing transverse energy,” Tech. Rep. CMS-PAS-SUS-13-016, CERN, Geneva, 2013.
- [39] **CMS** Collaboration, “Search for direct production of bottom squark pairs,” Tech. Rep. CMS-PAS-SUS-13-018, CERN, Geneva, 2014.
- [40] **CMS** Collaboration, “Search for supersymmetry in hadronic final states using M_{T2} with the CMS detector at $\sqrt{s} = 8$ TeV,” Tech. Rep. CMS-PAS-SUS-13-019, CERN, Geneva, 2014.
- [41] **CMS** Collaboration, “Exclusion limits on gluino and top-squark pair production in natural SUSY scenarios with inclusive razor and exclusive single-lepton searches at 8 TeV,” Tech. Rep. CMS-PAS-SUS-14-011, CERN, Geneva, 2014.