

Non-minimally Coupled Tachyon Field in Teleparallel Gravity

Behnaz Fazlpour ^{a 1} and Ali Banijamali ^{b 2}

^a *Department of Physics, Babol Branch, Islamic Azad University, Babol, Iran*

^b *Department of Basic Sciences, Babol University of Technology, Babol, Iran*

Abstract

We perform a full investigation on the dynamics of a new dark energy model in which the four-derivative of a non-canonical scalar field (tachyon) is non-minimally coupled to the vector torsion. Our analysis is done in the framework of teleparallel equivalent of general relativity which is based on torsion instead of curvature. We show that in our model there exists a late-time scaling attractor (point P_4), corresponding to an accelerating universe and possessing dark energy and dark matter densities of the same order. Such a point can help to alleviate the cosmological coincidence problem. Existence of this point is the most significant difference between our model and another model in which a canonical scalar field (quintessence) is used instead of tachyon field.

PACS numbers: 95.36.+x, 98.80.-k, 04.50.kd

Keywords: Tachyon field; Teleparallel gravity; Non-minimal coupling.

¹b.fazlpour@umz.ac.ir

²a.banijamali@nit.ac.ir

1 Introduction

A mysterious component of our universe with negative pressure can be a reasonable description for one of the most important discoveries in cosmology. This component is known as dark energy (for reviews on dark energy see [1, 2] and references therein) and the discovery is the universe late-times acceleration which is supported by the cosmological observations [3].

Besides the cosmological constant which suffers from cosmological constant problem [4], the simplest candidate of dark energy is a canonical scalar field, the so-called quintessence [5]. One can also generalize quintessence by including a non-minimal coupling between scalar field and gravity [6-8]. Non-canonical scalar field models of dark energy [9-13] and specially tachyon field model [14, 15] also exist in the literature notably.

Furthermore, teleparallel gravity originally proposed by Einstein [16, 17] is a theory of gravity which is based on torsion instead of curvature formulation. In teleparallel gravity the curvature-less Weitzenbock connection is used rather than the torsion-less Levi-Civita one [16-19] and dynamical objects are the four linearly independent vierbein (tetrad) fields. The teleparallel Lagrangian is described by torsion scalar T and in Friedmann-Robertson-Walker (FRW) space-time it is completely equivalent to a matter dominated universe in the framework of general relativity. Thus, teleparallel gravity without modification can not describe the accelerated expansion of the universe. Inspired by the similar procedures in general relativity there are two ways of modification. The first one is the construction of $f(T)$ gravity by extending T to an arbitrary function [20-23] and the second one is to directly add dark energy into teleparallel gravity allowing also a non-minimal coupling between dark energy and gravity. Recently a non-minimally coupled quintessence model in the framework of teleparallel gravity, the so-called teleparallel dark energy, has been considered [24-28] and its generalization to a non-canonical scalar field (tachyon) model has been studied in [29, 30]. In these models scalar field non-minimally coupled to torsion scalar. As it is emphasized in [24] replacing Ricci scalar R by torsion scalar T in the case of the minimal coupling of scalar field dark energy models has no new result in the level of field equations and perturbation as well. However, things are different if we switch on the non-minimal coupling. In this case the resulting coupled equations do not coincide. Clearly, teleparallel gravity under the non-minimal coupling is a different theory. Very recently inspired by the fact that in teleparallel gravity a vector field interacts with the vector part of the torsion [31, 32], Otalora has proposed a new dark energy model in which the four-derivative (which is a vector field) of a canonical scalar field (quintessence) couples non-minimally to the vector part of torsion [33]. The author has studied dynamics of the model and its cosmological implications in details. Here we generalize such a model using tachyon field as a responsible for dark energy.

The plan of the work is the following: In section 2 we present the model and derive basic equations and expressions including energy density, pressure and equation of motion of the scalar field. In section 3 dynamical system study of the model is done and cosmological implications are discussed. Section 4 is devoted to our conclusions.

2 Tachyon Field in Teleparallel Gravity: Basic Equations

Three components of torsion tensor $T^\lambda_{\mu\nu}$, namely vector torsion, axial torsion and pure tensor are given as follows respectively [33]

$$\mathcal{V}_\mu = T^\nu_{\nu\mu}, \quad (1)$$

$$\mathcal{A}^\mu = \frac{1}{6}\epsilon^{\mu\nu\rho\sigma}T_{\nu\rho\sigma}, \quad (2)$$

$$\mathcal{T}_{\lambda\mu\nu} = \frac{1}{2}(T_{\lambda\mu\nu} + T_{\mu\lambda\nu}) + \frac{1}{6}(g_{\nu\lambda}\mathcal{V}_\mu + g_{\nu\mu}\mathcal{V}_\lambda) - \frac{1}{3}g_{\lambda\mu}\mathcal{V}_\nu. \quad (3)$$

Our model with a non-minimal coupling between four-derivative of tachyon field and vector torsion (1) can be described by the following action

$$S = \int d^4x h \left[\frac{T}{2\kappa^2} - V(\varphi) \sqrt{1 - \partial_\mu \varphi \partial^\mu \varphi} + \eta f(\varphi) \partial_\mu \varphi \mathcal{V}^\mu \right] + S_m, \quad (4)$$

where $h \equiv \det(h^a_\mu) = \sqrt{-g}$ (h^a_μ are the orthonormal tetrad components), T is the torsion scalar corresponding to teleparallel equivalent of general relativity (TEGR) and $\kappa^2 = 8\pi G$ while G is a bare gravitational constant (for reviews on teleparallelism see [31, 32]). The second part in the action (4) is the relevant Lagrangian of the tachyon field and $S_m(\psi_m, h^a_\rho)$ is the action of the matter field which is chosen as the cold dark matter (DM). Also η is a dimensionless constant measuring the non-minimal coupling and $f(\varphi)$ is an arbitrary function of the scalar field. In the other hand, note that there is no interaction between dark matter and dark energy.

We mention that the model (4) is a generalization of the model proposed in [33] by using a non-canonical scalar field (tachyon) instead of canonical scalar field (quintessence). Tachyon field originates from a fundamental theory such as string theory and has interesting cosmological implications (see for example [14, 15]). As it is noted in [33] the model in (4) and tachyonic teleparallel dark energy model [29] in which tachyon field non-minimally coupled with torsion scalar instead of vector torsion, are mathematically related through a conformal transformation although they are physically different.

In the other side, the possibility that the dynamic Poincare gauge theory connection, reflected in dynamic Poincare gauge theory torsion, provides the accelerating force in the universe has been explored by Shie et al. in [38]. The scalar mode torsion in the model plays the role of the imperceptible dark energy and it is naturally obtained from the geometry of the Riemann-Cartan space-time, instead of from an exotic scalar field or a designed mechanism. Note however, as mentioned in [38] if we consider the space-time as Riemannian instead of Riemann-Cartan, by absorbing the contribution of the torsion of this model into the stress-energy tensor on the rhs of the Einstein equation, then this contribution will act as a source of the Riemannian metric, effectively like an exotic fluid with negative pressure which drives the universe into accelerating expansion. But in the present paper, dark energy is attributed to a scalar field (tachyon) in the framework of teleparallel gravity in which one replaces the Riemannian curvature scalar R by the scalar torsion of teleparallel gravity allowing also a non-minimal coupling between the four-derivative of the scalar field with vector part of torsion tensor.

To study tachyon dynamics more simply let us apply the following transformation (field redefinition) in action (4) [34]

$$\varphi \rightarrow \phi = \int d\varphi \sqrt{V(\varphi)} \iff \partial\varphi = \frac{\partial\phi}{\sqrt{V(\phi)}}, \quad (5)$$

which leads to our starting action

$$S = \int d^4x h \left[\frac{T}{2\kappa^2} - V(\phi) \sqrt{1 - \frac{\partial_\mu \phi \partial^\mu \phi}{V(\phi)}} + \frac{\eta f(\phi) \partial_\mu \phi \mathcal{V}^\mu}{\sqrt{V(\phi)}} \right] + S_m. \quad (6)$$

Considering a spatially-flat FRW metric,

$$ds^2 = -dt^2 + a^2(t)(dr^2 + r^2 d\Omega^2), \quad (7)$$

and a tetrad choice of the form $h^a_\mu = \text{diag}(1, a, a, a)$ (which is a solution of gravitational field equation [17]), and a homogeneous scalar field ϕ yield to the Friedmann and Raychaudhuri equations as follows,

$$H^2 = \frac{\kappa^2}{3}(\rho_\phi + \rho_m), \quad (8)$$

$$\dot{H} = -\frac{\kappa^2}{2}(\rho_\phi + P_\phi + \rho_m + P_m), \quad (9)$$

where $H = \frac{\dot{a}}{a}$ is the Hubble parameter, a is the scale factor and a dot stands for derivative with respect to the cosmic time t . ρ_m and P_m are the matter energy density and pressure respectively, satisfying the

equation $\dot{\rho}_m + 3H(1 + \omega_m)\rho_m = 0$, with $\omega_m = \frac{P_m}{\rho_m}$ the matter equation of state parameter.

The energy momentum tensor associated with the scalar field $\Theta_a{}^\rho \equiv -\frac{1}{h} \frac{\delta S_\phi}{\delta h^a{}_\rho}$ is given by

$$\Theta_a{}^\rho = \eta \left[\frac{f(\phi)}{\sqrt{V}} (\mathcal{V}^\rho \partial_a \phi + \nabla_a \partial^\rho \phi - h_a{}^\rho \nabla_\mu \partial^\mu \phi) + \left(\frac{f, \phi}{\sqrt{V}} - \frac{f(\phi) V, \phi}{2V^{\frac{3}{2}}} \right) (\partial_a \phi \partial^\rho \phi - h_a{}^\rho \partial_\mu \phi \partial^\mu \phi) \right] - \mu^{-1} V(\phi) \delta_a{}^\rho - \mu \partial_a \phi \partial^\rho \phi, \quad (10)$$

where ∇^μ is the covariant derivative in the teleparallel connection [31, 32], $f, \phi = \frac{df(\phi)}{d\phi}$, $V, \phi = \frac{dV}{d\phi}$ and $\mu = \frac{1}{\sqrt{1 - \frac{\phi^2}{V}}}$.

By imposing the FRW metric (7), the energy density and pressure of the scalar field read,

$$\rho_\phi = \mu V(\phi) - 3\eta \frac{f(\phi)}{\sqrt{V}} H \dot{\phi}, \quad (11)$$

and

$$p_\phi = -\mu^{-1} V(\phi) + \eta \dot{\phi}^2 \left(\frac{f, \phi}{\sqrt{V}} - \frac{f(\phi) V, \phi}{2V^{\frac{3}{2}}} \right) + \eta \frac{f(\phi)}{\sqrt{V}} \ddot{\phi}, \quad (12)$$

Additionally, variation of the action (6) with respect to the scalar field yields to its evolution equation that in FRW background takes the form

$$\ddot{\phi} \left[\left(\frac{\partial \mathcal{L}}{\partial X} \right) + (2X) \left(\frac{\partial^2 \mathcal{L}}{\partial X^2} \right) \right] + \left[3H \left(\frac{\partial \mathcal{L}}{\partial X} \right) + \dot{\phi} \left(\frac{\partial^2 \mathcal{L}}{\partial X \partial \phi} \right) \right] \dot{\phi} - \left(\frac{\partial \mathcal{L}}{\partial \phi} \right) = 0, \quad (13)$$

where $X = \frac{1}{2} \dot{\phi}^2$.

From equation (13), one can obtain the ϕ -filed equation of motion more clearly as follows,

$$\ddot{\phi} + 3\mu^{-2} H \dot{\phi} + \left(1 - \frac{3\dot{\phi}^2}{2V} \right) V, \phi - 3\eta \left(\dot{H} + 3H^2 \right) \mu^{-3} \frac{f(\phi)}{\sqrt{V}} = 0. \quad (14)$$

In fact the above equation expresses the energy conservation relation $\dot{\rho}_\phi + 3H(1 + \omega_\phi)\rho_\phi = 0$ with $\omega_\phi = p_\phi/\rho_\phi$ the equation of state of the scalar field.

3 Dynamical Analysis

Now we are going to rewrite the evolution equations of our model as a system of autonomous differential equations and study the cosmological properties of the critical points for the system. For this purpose, we introduce the following new variables:

$$x \equiv \frac{\dot{\phi}}{\sqrt{V}}, \quad y \equiv \frac{\kappa \sqrt{V}}{\sqrt{3} H}, \quad u \equiv \frac{\kappa \sqrt{f}}{\sqrt{H}}, \quad \alpha \equiv \frac{f, \phi}{\kappa f}, \quad \lambda \equiv -\frac{V, \phi}{\kappa V}. \quad (15)$$

In terms of the new variables, the field equations can be written as follows,

$$x' = (1 - x^2) \left[(3 - s)\eta \mu^{-1} u^2 y^{-2} + \sqrt{3} (\lambda y - \sqrt{3} x) \right], \quad (16)$$

$$y' = \left(-\frac{\sqrt{3} \lambda}{2} x y + s \right) y, \quad (17)$$

$$u' = \frac{1}{2} \left(\sqrt{3} \alpha x y + s \right) u, \quad (18)$$

$$\lambda' = -\sqrt{3} \lambda^2 x y (\Gamma - 1), \quad (19)$$

$$\alpha' = \sqrt{3} \alpha^2 x y (\Pi - 1), \quad (20)$$

where a prime stands for differentiation with respect to $N = \ln a$ and the following parameters are defined

$$\Pi = \frac{f f_{,\phi\phi}}{f_{,\phi}^2}, \quad \Gamma = \frac{V V_{,\phi\phi}}{V_{,\phi}^2}. \quad (21)$$

In equation (16)-(18), s is given by

$$s = -\frac{\dot{H}}{H^2} = 3 \left(2 + \eta^2 \mu^{-3} u^4 y^{-2}\right)^{-1} \left[\gamma - (\gamma - 1) (\mu y^2 - \eta u^2 x) - \mu^{-1} y^2 + \eta u^2 \left(-\mu^{-2} x + \frac{\sqrt{3}}{3} y (x^2(\alpha - \lambda) + \lambda) + \eta \mu^{-3} u^2 y^{-2} \right) \right], \quad (22)$$

and we mention that γ is the barotropic index defined by $\gamma = 1 + \omega_m$ such that $0 < \gamma < 2$ and also $\mu = \frac{1}{\sqrt{1-x^2}}$. The density parameters $\Omega_i \equiv (\kappa^2 \rho_i)/(3H^2)$ for the scalar field and background matter are given by

$$\Omega_\phi = \mu y^2 - \eta x u^2, \quad \Omega_m = 1 - \Omega_\phi, \quad (23)$$

while the equation of state of the field ω_ϕ and the effective equation of state can be written as

$$\omega_\phi = \frac{p_\phi}{\rho_\phi} = \frac{-\mu^{-1} y^2 + \eta u^2 \left(-\mu^{-2} x + \frac{\sqrt{3}}{3} y (x^2(\alpha - \lambda) + \lambda) + \frac{1}{3} \eta \mu^{-3} (3 - s) u^2 y^{-2} \right)}{\mu y^2 - \eta x u^2}, \quad (24)$$

and

$$\begin{aligned} \omega_{eff} &= (p_\phi + p_m) / (\rho_\phi + \rho_m) \\ &= (x^2 - \gamma) \mu y^2 + \eta u^2 \left(-\mu^{-2} x + \frac{\sqrt{3}}{3} y (x^2(\alpha - \lambda) + \lambda) + \frac{1}{3} \eta \mu^{-3} (3 - s) u^2 y^{-2} \right) + (\gamma - 1) (1 + \eta x u^2). \end{aligned} \quad (25)$$

Note that the condition for acceleration is $\omega_{eff} < -1/3$.

Once the parameters Γ and Π are known, equations (16)-(20) become a system of autonomous differential equations and one can study dynamics of the model in a usual way. Considering an exponential potential of the form $V = V_0 e^{-\lambda\kappa\phi}$ with constant λ leads to $\Gamma = 1$ and equation (19) can be eliminated from our system of differential equations. In the other hand if we consider a constant α for simplicity then the number of differential equations will be reduced once again. Therefore, we concentrate on a non-minimal coupling function of the form $f(\phi) \propto e^{\beta\phi}$ with a constant β which leads to $\Pi = 1$ and α becomes a constant. So, by choosing the potential $V = V_0 e^{-\lambda\kappa\phi}$ and non-minimal coupling function $f(\phi) \propto e^{\beta\phi}$, we have a three dimensional autonomous system (16)-(18) and the fixe points or critical points (x_c, y_c, u_c) of the model can be obtained by setting the left hand sides of equations (16)-(18) to zero i.e. $x'_c = y'_c = u'_c = 0$.

In order to study the stability of the critical points, the system should be perturbed about the fixed points by small amounts δx , δy and δu as $x \rightarrow x_c + \delta x$, $y \rightarrow y_c + \delta y$, and $u \rightarrow u_c + \delta u$. By putting these in (16)-(18) and linearizing them, one can obtain the so-called Jacobian matrix \mathcal{M} at the fixed points. The stability of the fixed points is determined completely by three eigenvalues of the matrix \mathcal{M} .

(i) If the real part of eigenvalues have opposite signs then the fixed point is a saddle point.

(ii) If three eigenvalues are negative, then the fixed point is stable.

(iii) If the eigenvalues are positive, the fixed point is unstable.

A detailed analysis of the stability criteria is given in Refs [35-37]. A critical point is an attractor in the case (ii) and the universe evolves to attractor solutions regardless of the initial conditions. The critical points of the autonomous system (16)-(18) with constant α and λ are listed in Table 1. In the same table we have

provided the corresponding values of Ω_ϕ , ω_ϕ and ω_{eff} at each critical point. The conditions needed for existence and acceleration ($\omega_{eff} < -1/3$) along with stability properties of the fixed points presented in Table 2. The elements of 3×3 matrix \mathcal{M} and its three eigenvalues at each critical point are shown in Appendix. Now let us discuss the cosmological behavior and stability properties of the critical points individually.

Critical Point P_1 :

This point exists for positive values of λ and accelerated expansion of our universe occurs for $\gamma < \frac{2}{3}$. Point P_1 is stable for $\alpha < -\frac{\lambda}{2}$ and $\lambda > \sqrt{\frac{3\gamma}{\sqrt{1-\gamma}}}$ and thus attracts the universe at the late-times. Since the dark energy and matter density parameters are at the same order, this point corresponds to a dark energy-dark matter scaling solution, alleviating the cosmological coincidence problem which asks: why are we living in an epoch in which Ω_{DE} and Ω_{DM} are comparable? In order to show the above mentioned behavior more transparently, we evolve the autonomous system (16)-(18) numerically for the parameter choices $\lambda = 2$ and $\alpha = -1.5$. The phase-space trajectories are depicted in a 3-dimensional plot in Figure 1 (left panel). It is clear from the figure that in this case the universe is attracted by stable solution P_1 . An important point about P_1 is that, it is not a realistic solution in dark energy paradigm due to the presence of the condition $\gamma < \frac{2}{3}$ needed for acceleration. One can solve such a problem by considering a possible coupling between dark energy and dark matter. We will consider this possibility in future works.

Critical Point P_2 :

This point is a stable point for $\alpha > -\frac{\lambda}{2}$ and $\lambda < -\sqrt{\frac{3\gamma}{\sqrt{1-\gamma}}}$ and therefore it can be the late-times state of the universe. Similar to point P_1 , P_2 can be accelerated for $\gamma < \frac{2}{3}$ and since Ω_ϕ and Ω_m are of the same order it is a scaling attractor (it can help to alleviate the cosmological coincidence problem).

Depending on the background matter (i.e. the value of γ) the dark energy equation of state lies in the quintessence regime ($\omega_\phi > -1$) or is equal to cosmological constant value ($\omega_\phi = -1$). In Figure 1 (right panel) the phase-space trajectories of the system (16)-(18) for the model parameter values $\lambda = -2$, $\alpha = 1.5$ and $\eta = \frac{1}{2}$ are presented. In this case the attractor point of the system is P_2 as it is evident from the figure. Once again note that P_2 is also a non-realistic solution because of the condition $\gamma < \frac{2}{3}$ which is needed for acceleration.

Critical Point P_3 :

The fixed point P_3 corresponds to a dark energy dominated de Sitter solution with $\Omega_\phi = 1$ and $\omega_{eff} = -1$. This point exists when $\frac{\lambda}{\eta} < 0$ and can be accelerated for all values. It is an attractor solution of the model for $\lambda > 0$, $\alpha > -\frac{\lambda}{2}$ or $\lambda < 0$, $\alpha < -\frac{\lambda}{2}$. Such a behaviors of the system (16)-(18) are depicted in Figure 2 for the choices $\lambda = 2$, $\alpha = 1$ and $\eta = -\frac{1}{2}$ (left panel) and $\lambda = -2$, $\alpha = 0.5$ and $\eta = \frac{1}{2}$ (right panel) respectively.

Critical Point P_4 :

At this point Ω_ϕ and Ω_m are of the same order and thus it can help to alleviate the cosmological coincidence problem. P_4 exists for positive values of λ and universe in this point can be accelerated for the conditions presented in Table 2. However, since the eigenvalues of the 3×3 matrix \mathcal{M} of the corresponding linearized perturbation equations at this point are very complicated, we can not conclude about its stability analytically. However we evolved the system numerically and find that as long as $\alpha < -\frac{\lambda}{2}$ this point can be a stable point as it is shown in Figure 3. In this figure the parameters of the model have the values $\lambda = 3$, $\alpha = -2$ and $\eta = \frac{1}{2}$.

Critical Point P_5 :

This critical point has the same acceleration and eigenvalues properties as point P_4 but it exists for negative values of λ . Our numerical computations reveal that P_5 could not be a stable solution of the model.

4 Conclusion

In the present paper, motivated by the recent work of Otalora [33], we proposed a new model of dark energy in which the four-derivative of tachyon field is non-minimally coupled to the vector part of torsion tensor. As it is mentioned in [33], such a non-minimal coupling has no analogue in general relativity, because in

Table 1: The critical points of the autonomous system (16)-(18) for constant α and the corresponding values of the dark energy density parameter Ω_ϕ , the dark energy equation of state parameter ω_ϕ and the effective equation of state parameter ω_{eff} . We use the notation $A = -\lambda^2 + \sqrt{\lambda^4 + 36}$.

Name	x_c	y_c	u_c	Ω_ϕ	ω_ϕ	ω_{eff}
P_1	$\sqrt{\gamma}$	$\frac{\sqrt{3\gamma}}{\lambda}$	0	$\frac{3\gamma}{\lambda^2\sqrt{1-\gamma}}$	$\gamma - 1$	$\gamma - 1$
P_2	$-\sqrt{\gamma}$	$-\frac{\sqrt{3\gamma}}{\lambda}$	0	$\frac{3\gamma}{\lambda^2\sqrt{1-\gamma}}$	$\gamma - 1$	$\gamma - 1$
P_3	0	1	$\sqrt{\frac{-\sqrt{3}\lambda}{3\eta}}$	1	-1	-1
P_4	$\frac{\sqrt{2}}{6}\lambda\sqrt{A}$	$\frac{\sqrt{6}}{6}\sqrt{A}$	0	$\frac{1}{6}\frac{A}{\sqrt{1-\frac{\lambda^2}{18}A}}$	$\frac{\lambda^2}{18}A - 1$	$\frac{1}{6}\frac{A\left(\frac{\lambda^2}{18}A-\gamma\right)}{\sqrt{1-\frac{\lambda^2}{18}A}} + \gamma - 1$
P_5	$-\frac{\sqrt{2}}{6}\lambda\sqrt{A}$	$\frac{\sqrt{6}}{6}\sqrt{A}$	0	$\frac{1}{6}\frac{A}{\sqrt{1-\frac{\lambda^2}{18}A}}$	$\frac{\lambda^2}{18}A - 1$	$\frac{1}{6}\frac{A\left(\frac{\lambda^2}{18}A-\gamma\right)}{\sqrt{1-\frac{\lambda^2}{18}A}} + \gamma - 1$

general relativity decomposition of gravitational field in a form analogous to the decomposition of torsion in teleparallel gravity, is not possible.

We studied the dynamical behavior of our model in details. We found five critical points presented in Table 1. Points P_1 and P_2 are scaling attractors of the model for suitable choices of the model parameters as shown in Table 2 and depicted in Figure 1. However these points have a disadvantage that acceleration occurs for $\gamma < \frac{2}{3}$ which makes them non-realistic points in applying to dark energy.

Point P_3 corresponds to a completely dark energy dominated solution that can be accelerated but it is not a scaling attractor of the model. The most interesting critical point is the point P_4 which is a scaling attractor that can be accelerated for the conditions presented in Table 2. Thus point P_4 can help to alleviate the cosmological coincidence problem and fulfils requirement according to cosmological observations. Here we mention that in Ref [33] where quintessence scalar field plays the role of dark energy, there is no scaling attractor that can be accelerated and thus be realistic. Therefore, Point P_4 makes an important difference between our model and the model proposed in [33]. And finally point P_5 is not a stable solution of the system (16)-(18). Further study of our model can be done for other scalar field potentials $V(\phi)$ and coupling function $f(\phi)$.

Table 2: Existence, acceleration and stability conditions of the fixed points in Table 1.

label	existence	acceleration	stability
P_1	$\lambda > 0$	$\gamma < \frac{2}{3}$	<i>stable point if</i> $\alpha < -\frac{\lambda}{2}$ and $\lambda > \sqrt{\frac{3\gamma}{\sqrt{1-\gamma}}}$
			<i>saddle point if</i> $\alpha > -\frac{\lambda}{2}$ or $\lambda < \sqrt{\frac{3\gamma}{\sqrt{1-\gamma}}}$
P_2	$\lambda < 0$	$\gamma < \frac{2}{3}$	<i>stable point if</i> $\alpha > -\frac{\lambda}{2}$ and $\lambda < -\sqrt{\frac{3\gamma}{\sqrt{1-\gamma}}}$
			<i>saddle point if</i> $\alpha < -\frac{\lambda}{2}$ or $\lambda > -\sqrt{\frac{3\gamma}{\sqrt{1-\gamma}}}$
P_3	$\frac{\lambda}{\eta} < 0$	all values	<i>stable point if</i> $\lambda > 0$ and $\alpha > -\frac{\lambda}{2}$ or $\lambda < 0$ and $\alpha < -\frac{\lambda}{2}$
			<i>saddle point if</i> $\lambda < 0$ and $\alpha > -\frac{\lambda}{2}$ or $\lambda > 0$ and $\alpha < -\frac{\lambda}{2}$
P_4	$\lambda > 0$	$\gamma < \frac{2\left(2\sqrt{1-\frac{\lambda^2}{18}}A-\frac{\lambda^2 A^2}{36}\right)}{6\sqrt{1-\frac{\lambda^2}{18}}A-A}$	see explanations about this point in the text
P_5	$\lambda < 0$	$\gamma < \frac{2\left(2\sqrt{1-\frac{\lambda^2}{18}}A-\frac{\lambda^2 A^2}{36}\right)}{6\sqrt{1-\frac{\lambda^2}{18}}A-A}$	see explanations about this point in the text

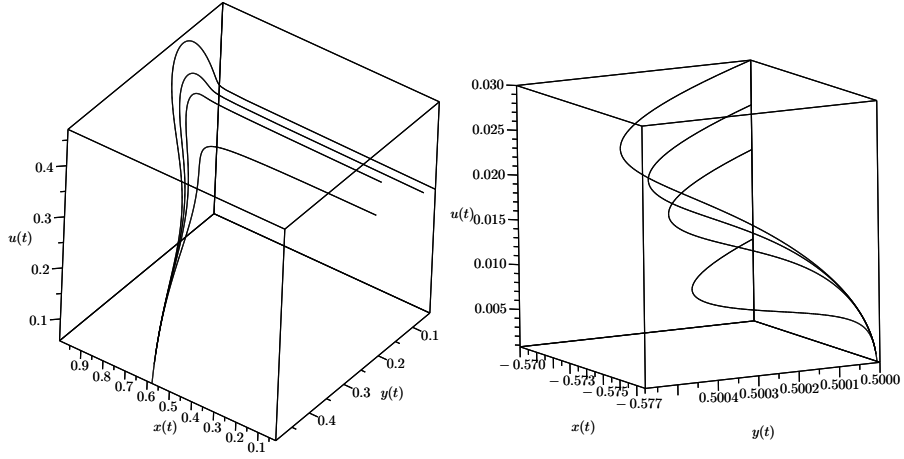


Figure 1: 3-dimensional phase-space trajectories of the cosmological scenario (16)-(18) with stable attractor P_1 (left) for the parameter choices $\lambda = 2$, $\alpha = -1.5$ and $\eta = \frac{1}{2}$ and stable attractor P_2 (right) for $\lambda = -2$, $\alpha = 1.5$ and $\eta = \frac{1}{2}$.

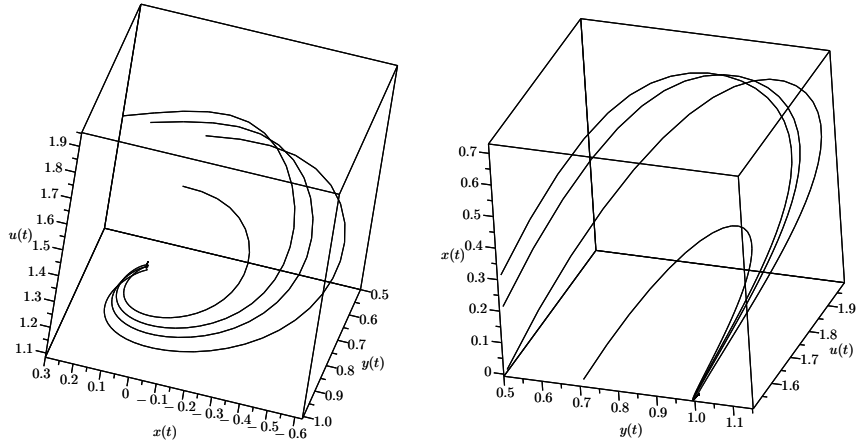


Figure 2: 3-dimensional phase-space trajectories of the cosmological scenario (16)-(18) with stable attractor P_3 for $\lambda = 2$, $\alpha = 1$ and $\eta = -\frac{1}{2}$ (left) and $\lambda = -2$, $\alpha = 0.5$ and $\eta = \frac{1}{2}$ (right).

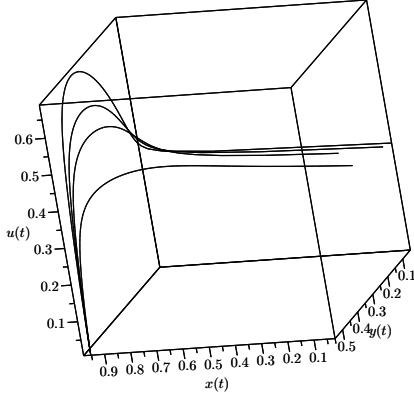


Figure 3: 3-dimensional phase-space trajectories of the cosmological scenario (16)-(18) with stable attractor P_4 for $\lambda = 3$, $\alpha = -2$ and $\eta = \frac{1}{2}$.

5 Appendix: Elements of perturbation matrix \mathcal{M} and its eigenvalues at critical points

The components of matrix \mathcal{M} which represents the coefficients of the linearized perturbation equations are given by

$$\begin{aligned} \mathcal{M}_{11} = & -2x_c \left[(3 - s_c)\eta\mu_c^{-1}u_c^2y_c^{-2} + \sqrt{3}(\lambda y_c - \sqrt{3}x_c) \right] - 3\mu_c^{-3}\eta u_c^2y_c^{-2} (2 + \eta^2\mu_c^{-3}u_c^4y_c^{-2})^{-1} \\ & \left[s_c\mu_c^{-1}\eta^2x_cu_c^4y_c^{-2} - (\gamma - 1)(\mu_c^3x_cy_c^2 - \eta u_c^2) + \mu_c x_c y_c^2 + \eta u_c^2 \left(3x_c^2 - 1 + \frac{2\sqrt{3}}{3}x_c y_c(\alpha - \lambda) - 3\mu_c^{-1}\eta x_c u_c^2 y_c^{-2} \right) \right] \\ & - \mu_c^{-1}\eta x_c u_c^2 y_c^{-2} (3 - s_c) - 3\mu_c^{-2}, \quad (26) \end{aligned}$$

$$\begin{aligned} \mathcal{M}_{12} = & \sqrt{3}\lambda(1 - x_c^2) - 2\eta\mu_c^{-3}u_c^2y_c^{-3} - \eta\mu_c^{-3}u_c^2y_c^{-2} \\ & (2 + \eta^2\mu_c^{-3}u_c^4y_c^{-2})^{-1} \left[2\eta^2\mu_c^{-3}s_c u_c^4 y_c^{-3} + 6\mu_c y_c (x_c^2 - \gamma) + \eta u_c^2 \left(\sqrt{3}(x_c^2(\alpha - \lambda) + \lambda) + 6\eta\mu_c^{-3}u_c^2y_c^{-3} \right) \right], \quad (27) \end{aligned}$$

$$\begin{aligned} \mathcal{M}_{13} = & 2(3 - s_c)\eta\mu_c^{-3}u_c y_c^{-2} - 2\eta\mu_c^{-3}u_c^2y_c^{-2} (2 + \eta^2\mu_c^{-3}u_c^4y_c^{-2})^{-1} \\ & \left[3\eta u_c \left((\gamma - 1)x_c - \mu_c^{-2}x_c + \frac{\sqrt{3}}{3}y_c (x_c^2(\alpha - \lambda) + \lambda) + 2\eta\mu_c^{-3}u_c^2y_c^{-2} \right) - 2\eta^2\mu_c^{-3}s_c u_c^3 y_c^{-2} \right], \quad (28) \end{aligned}$$

$$\begin{aligned} \mathcal{M}_{21} = & -\frac{\sqrt{3}}{2}\lambda y_c^2 - 3y_c (2 + \eta^2\mu_c^{-3}u_c^4y_c^{-2})^{-1} \\ & \left[s_c\mu_c^{-1}\eta^2x_cu_c^4y_c^{-2} - (\gamma - 1)(\mu_c^3x_cy_c^2 - \eta u_c^2) + \mu_c x_c y_c^2 + \eta u_c^2 \left(3x_c^2 - 1 + \frac{2\sqrt{3}}{3}x_c y_c(\alpha - \lambda) - 3\mu_c^{-1}\eta x_c u_c^2 y_c^{-2} \right) \right], \quad (29) \end{aligned}$$

$$\begin{aligned} \mathcal{M}_{22} = & s_c - \sqrt{3}\lambda x_c y_c + y_c (2 + \eta^2\mu_c^{-3}u_c^4y_c^{-2})^{-1} \\ & \left[2\eta^2\mu_c^{-3}s_c u_c^4 y_c^{-3} + 6\mu_c y_c (x_c^2 - \gamma) + \eta u_c^2 \left(\sqrt{3}(x_c^2(\alpha - \lambda) + \lambda) + 6\eta\mu_c^{-3}u_c^2y_c^{-3} \right) \right], \quad (30) \end{aligned}$$

$$\mathcal{M}_{23} = 2y_c (2 + \eta^2 \mu_c^{-3} u_c^4 y_c^{-2})^{-1} \left[3\eta u_c \left((\gamma - 1)x_c - \mu_c^{-2} x_c + \frac{\sqrt{3}}{3} y_c (x_c^2 (\alpha - \lambda) + \lambda) + 2\eta \mu_c^{-3} u_c^2 y_c^{-2} \right) - 2\eta^2 \mu_c^{-3} s_c u_c^3 y_c^{-2} \right], \quad (31)$$

$$\mathcal{M}_{31} = \frac{\sqrt{3}}{2} \alpha y_c u_c - \frac{3}{2} u_c (2 + \eta^2 \mu_c^{-3} u_c^4 y_c^{-2})^{-1} \left[s_c \mu_c^{-1} \eta^2 x_c u_c^4 y_c^{-2} - (\gamma - 1) (\mu_c^3 x_c y_c^2 - \eta u_c^2) + \mu_c x_c y_c^2 + \eta u_c^2 \left(3x_c^2 - 1 + \frac{2\sqrt{3}}{3} x_c y_c (\alpha - \lambda) - 3\mu_c^{-1} \eta x_c u_c^2 y_c^{-2} \right) \right], \quad (32)$$

$$\mathcal{M}_{32} = \frac{\sqrt{3}}{2} \alpha x_c u_c + \frac{1}{2} u_c (2 + \eta^2 \mu_c^{-3} u_c^4 y_c^{-2})^{-1} \left[2\eta^2 \mu_c^{-3} s_c u_c^4 y_c^{-3} + 6\mu_c y_c (x_c^2 - \gamma) + \eta u_c^2 \left(\sqrt{3} (x_c^2 (\alpha - \lambda) + \lambda) + 6\eta \mu_c^{-3} u_c^2 y_c^{-3} \right) \right], \quad (33)$$

$$\mathcal{M}_{33} = \frac{1}{2} \left(\sqrt{3} \alpha x_c y_c + s_c \right) + \frac{1}{2} u_c (2 + \eta^2 \mu_c^{-3} u_c^4 y_c^{-2})^{-1} \left[3\eta u_c \left((\gamma - 1)x_c - \mu_c^{-2} x_c + \frac{\sqrt{3}}{3} y_c (x_c^2 (\alpha - \lambda) + \lambda) + 2\eta \mu_c^{-3} u_c^2 y_c^{-2} \right) - 2\eta^2 \mu_c^{-3} s_c u_c^3 y_c^{-2} \right]. \quad (34)$$

In the above expressions by s_c and μ_c we mean evaluation of them at critical points i.e

$$\mu_c = 1/\sqrt{1 - x_c^2}, \quad (35)$$

and

$$s_c = 3 (2 + \eta^2 \mu_c^{-3} u_c^4 y_c^{-2})^{-1} \left[\gamma - (\gamma - 1) (\mu_c y_c^2 - \eta u_c^2 x_c) - \mu_c^{-1} y_c^2 + \eta u_c^2 \left(-\mu_c^{-2} x_c + \frac{\sqrt{3}}{3} y_c (x_c^2 (\alpha - \lambda) + \lambda) + \eta \mu_c^{-3} u_c^2 y_c^{-2} \right) \right]. \quad (36)$$

Although elements of \mathcal{M} seem complicated, inserting the explicit critical points shown in Table 1, the matrix \mathcal{M} acquires a simple form that allows for calculation of its eigenvalues. The eigenvalues of the matrix \mathcal{M} (namely ν_1, ν_2, ν_3), for each critical point are as follows: points P_1 and P_2 :

$$\nu_1 = \frac{3\gamma(\lambda + 2\alpha)}{4\lambda}, \quad \nu_{2,3} = \frac{3 \left(\gamma\lambda - 2\lambda \pm \sqrt{17\gamma^2\lambda^2 - 20\gamma\lambda^2 + 4\lambda^2 + 48\gamma^2\sqrt{1-\gamma}} \right)}{4\lambda} \quad (37)$$

Point P_3 :

$$\nu_{1,2} = \frac{-3(\lambda^2 + 6 \pm \sqrt{-3\lambda^4 - 12\lambda^2 + 36 - 48\lambda\alpha - 8\alpha\lambda^3})}{2(6 + \lambda^2)}, \quad \nu_3 = -3\gamma. \quad (38)$$

References

- [1] E. J. Copeland, M. Sami and S. Tsujikawa, *Int. J. Mod. Phys. D* **15**, 1753 (2006).
- [2] Y. -F. Cai, E. N. Saridakis, M. R. Setare and J. -Q. Xia, *Phys. Rept.* **493**, 1 (2010).
- [3] Riess et al., *Astron. J.* **116**, 1009 (1998); Perlmutter et al., *Astrophys. J.*, **517**, 565 (1999).
- [4] E.J. Copeland, M. Sami and S. Tsujikawa, *Int. J. Mod. Phys. D* **15**, 1753 (2006); J. Frieman, M. Turner and D. Huterer, *Ann. Rev. Astron. Astrophys.* **46**, 385 (2008); M. Li, X.D. Li, S. Wang and Y. Wang, *Commun. Theor. Phys.* **56**, 525 (2011); K. Bamba, S. Capozziello, S. Nojiri and S. D. Odintsov, *Astrophys. Space Sci.* **342**, 155-228 (2012).
- [5] V. Sahni, [astro-ph/0403324]; J. Martin, *Mod. Phys. Lett. A* **23**, 1252 (2008); S. Tsujikawa, *Class. Quant. Grav.* **30**, 21400 (2013).
- [6] V. Sahni and S. Habib, *Phys. Rev. Lett.* **81**, 1766 (1998); J. P. Uzan, *Phys. Rev. D* **59**, 123510 (1999); N. Bartolo and M. Pietroni, *Phys. Rev. D* **61**, 023518 (2000).
- [7] V. Faraoni, *Phys. Rev. D* **62**, 023504 (2000); E. Elizalde, S. Nojiri and S. D. Odintsov, *Phys. Rev. D* **70**, 043539 (2004).
- [8] O. Hrycyna and M. Szydlowski, *JCAP* **0904**, 026 (2009); O. Hrycyna and M. Szydlowski, *Phys. Rev. D* **76**, 123510 (2007).
- [9] C. Armendariz-Picon and E. A. Lim, *JCAP* **0508**, 007 (2005); D. Bertacca, N. Bartolo and S. Matarrese, *JCAP* **0805**, 005 (2008).
- [10] T. Chiba, T. Okabe, M. Yamaguchi, *Phys. Rev. D* **62**, 023511 (2000); C. Armendariz-Picon, V. Mukhanov and P. J. Steinhardt, *Phys. Rev. Lett.* **85**, 4438 (2000); C. Armendariz-Picon, V. Mukhanov and P. J. Steinhardt, *Phys. Rev. D* **63**, 103510 (2001).
- [11] D. A. Steer and F. Vernizzi, *Phys. Rev. D* **70**, 043527 (2004).
- [12] S. Campo, R. Herrera and A. Toloza, *Phys. Rev. D* **79**, 083507 (2009).
- [13] V. Mukhanov and A. Vikman, *JCAP* **0602**, 004 (2006); G. Panotopoulos, *Phys. Rev. D* **76**, 127302 (2007).
- [14] S. Alexander, *Phys. Rev. D* **65**, 023507 (2002); A. Mazumdar, S. Panda and A. Perez-Lorezana, *Nucl. Phys. B* **614**, 101 (2001); G. Gibbons, *Phys. Lett. B* **537**, 1 (2002).
- [15] M.R. Garousi, M. Sami and S. Tsujikawa, *Phys. Rev. D* **71**, 083005 (2005); E.J. Copeland, M.R. Garousi, M. Sami and S. Tsujikawa, *Phys. Rev. D* **71**, 043003 (2005); A. Sen, *JHEP* **9910**, 008 (1999); E. Bergshoeff, M. de Roo, T. de Wit, E. Eyras and S. Panda, *JHEP* **0005**, 009 (2000); J. Kluson, *Phys. Rev. D* **62**, 126003 (2000).
- [16] A. Einstein, *Sitzungsber. Preuss. Akad. Wiss. Phys. Math. Kl.*, 217 (1928); 224 (1928); A. Einstein, *Math. Ann.* **102**, 685 (1930); For English translation, see A. Unzicker and T. Case, arXiv:physics/0503046 12.
- [17] K. Hayashi and T. Shirafuji, *Phys. Rev. D* **19**, 3524 (1979); *Addendum-ibid. D* **24**, 3312 (1981).
- [18] G. R. Bengochea and R. Ferraro, *Phys. Rev. D* **79**, 124019 (2009).
- [19] E. V. Linder, *Phys. Rev. D* **81**, 127301 (2010); *Erratum-ibid. D* **82**, 109902.
- [20] R. J. Yang, *Eur. Phys. J.* **71**, 1797 (2011); T. Wang, *Phys. Rev. D* **84**, 024042 (2011).

- [21] R. Ferraro and F. Fiorini, *Phys. Rev. D* **84**, 083518 (2011); C. G. Boehmer, A. Mussa and N. Tamanini, *Class. Quant. Grav.* **28**, 245020 (2011).
- [22] M. Sharif and S. Rani, *Mod. Phys. Lett. A* **26**, 1657 (2011); R. Myrzakulov, *Eur. Phys. J. C* **71**, 1752 (2011).
- [23] B. Li, T. P. Sotiriou and J. D. Barrow, *Phys. Rev. D* **83**, 064035 (2011); T. P. Sotiriou, B. Li and J. D. Barrow, *Phys. Rev. D* **83**, 104030 (2011).
- [24] C. -Q. Geng, C. -C. Lee, E. N. Saridakis, Y. -P. Wu, *Phys. Lett. B* **704**, 384-387 (2011).
- [25] C. -Q. Geng, C. -C. Lee and E. N. Saridakis, *JCAP* **1201**, 002 (2012).
- [26] C. Xu, E. N. Saridakis and G. Leon, [arXiv:1202.3781 [gr-qc]].
- [27] H. Wei, *Phys. Lett. B* **712**, 430 (2012).
- [28] G. Otalora, *JCAP* **1307**, 044 (2013).
- [29] A. Banijamali and B. Fazlpour, *Astrophys. Space Scie.* **342**, 229 (2012).
- [30] G. Otalora, *Phys. Rev. D* **88**, 063505 (2013).
- [31] R. Aldrovandi and J. G. Pereira, *Teleparallel Gravity: An Introduction* (Springer, Dordrecht, 2013); J. G. Pereira, *AIP Conf. Proc.* **1483** (2012) 239-259, [arXiv:1210.0379]; J. G. Pereira, *Teleparallelism: a new insight into gravitation*, in *Springer Handbook of Spacetime*, ed. by A. Ashtekar and V. Petkov (Springer, Dordrecht, 2013) [arXiv:1302.6983].
- [32] H. I. Arcos and J. G. Pereira, *Int. J. Mod. Phys. D* **13**, 2193 (2004).
- [33] G. Otalora, [arXiv:1402.2256 [gr-qc]].
- [34] I. Quiros, T. Gonzalez, D. Gonzalez, Y. Napoles, R. Garcia-Salcedo and C. Moreno, *Class. Quant. Grav.* **27**, 215021 (2010).
- [35] E. J. Copeland, A. R. Liddle and D. Wands, *Phys. Rev. D* **57**, 4686-4690 (1998).
- [36] D. J. Holden and D. Wands, *Phys. Rev. D* **61**, 043506 (2000).
- [37] S. L. Ross, *Differential Equations*, 3rd ed. (John Wiley and Sons), 2004.
- [38] K-F. Shie, J. M. Nester and H-J. Yo, *Phys. Rev. D.* **78**, 023522 (2008).