

Comfortability of a Team in Social Networks

Lakshmi Prabha S^a, T.N.Janakiraman^{a,*}

^a*Department of Mathematics, National Institute of Technology, Trichy-620015, Tamil Nadu, India.*

Abstract

There are many indexes (measures or metrics) in Social Network Analysis (SNA), like density, cohesion, etc. We have defined a new SNA index called “comfortability”. In this paper, core comfortable team of a social network is defined based on graph theoretic concepts and some of their structural properties are analyzed. Comfortability is one of the important attributes (characteristics) for a successful team work. So, it is necessary to find a comfortable and successful team in any given social network.

It is proved that forming core comfortable team in any network is NP-Complete using the concepts of domination in graph theory. Next, we give two polynomial-time approximation algorithms for finding such a core comfortable team in any given network with performance ratio $O(\ln \Delta)$, where Δ is the maximum degree of a given network (graph). The time complexity of the algorithm is proved to be $O(n^3)$, where n is the number of persons (vertices) in the network (graph). It is also proved that the algorithms give good results in scale-free networks.

Keywords: Social networks, comfortability, less dispersive set, core

*Corresponding Author - T.N.Janakiraman.

Email addresses: jaislp111@gmail.com (Lakshmi Prabha S), janaki@nitt.edu (T.N.Janakiraman)

comfortable team, graph algorithms, performance ratio, k - domination.

2010 MSC: 91D30, 05C82, 05C85, 05C69, 05C90.

1. Introduction

There are many factors, lack of which affect the group or team effectiveness. Team processes describe subtle aspects of interaction and patterns of organizing, that transform input into output. The team processes will be described in terms of seven characteristics: coordination, communication, cohesion, decision making, conflict management, social relationships and performance feedback. The readers are directed to refer Michan et al. [9] for further details of characteristics of team and Forsyth [3] for more details on group dynamics. In this paper, we discuss about an attribute or characteristic called “COMFORTABILITY ”, which is also essential for a successful team work. So, we defined it as a new SNA index in our paper [6].

Since the beginning of Social Network Analysis, Graph Theory has been a very important tool both to represent social structure and to calculate some indexes, which are useful to understand several aspects of the social context under analysis. Some of the existing indexes (measures or metrics) are betweenness, bridge, centrality, flow betweenness centrality, centralization, closeness, clustering coefficient, cohesion, degree, density, eigenvector centrality, path length. Readers are directed to refer Martino et. al. [8] for more details on indexes in SNA. In our paper [6], we defined a new SNA index called ‘comfortability ’. Based on this index, we have defined comfortable team, better comfortable team and highly comfortable team in our paper [6] and totally comfortable team in our paper [7].

Let the social network be represented in terms of a graph, with the vertex of the graph denotes a person (an actor) in the social network and an edge between two vertices in a graph represents relationship between two persons in the social network. All the networks are connected networks in this paper, unless otherwise specified. If the given network is disconnected, then each connected component of the network can be considered and hence it is enough to consider only connected networks. Hereafter, the word ‘team’ represents induced sub network (sub graph) of a given network (graph).

Following are some introduction for **basic graph theoretic concepts**. Some basic definitions from Slater et al. [4] are given below.

The graphs considered in this paper are finite, simple, connected and undirected, unless otherwise specified. For a graph G , let $V(G)$ (or simply V) and $E(G)$ denote its vertex (node) set and edge set respectively and n and m denote the cardinality of those sets respectively. The *degree* of a vertex v in a graph G is denoted by $deg_G(v)$. The *maximum degree* of the graph G is denoted by $\Delta(G)$. The length of any shortest path between any two vertices u and v of a connected graph G is called the *distance* between u and v and is denoted by $d_G(u, v)$. For a connected graph G , the *eccentricity* $e_G(v) = \max\{d_G(u, v) : u \in V(G)\}$. If there is no confusion, we simply use the notions $deg(v)$, $d(u, v)$ and $e(v)$ to denote degree, distance and eccentricity respectively for the concerned graph. The minimum and maximum eccentricities are the *radius* and *diameter* of G , denoted by $r(G)$ and $diam(G)$ respectively. A vertex with eccentricity $r(G)$ is called a *central vertex* and a vertex with eccentricity $diam(G)$ is called a *peripheral vertex*.

For $v \in V(G)$, *neighbors* of v are the vertices adjacent to v in G . The

neighborhood $N_G(v)$ of v is the set of all neighbors of v in G . It is also denoted by $N_1(v)$. $N_j(v)$ is the set of all vertices at distance j from v in G . A vertex u is said to be an *eccentric vertex* of v , when $d(u, v) = e(v)$. If A and B are not necessarily disjoint sets of vertices, we define the distance from A to B as $dist(A, B) = \min\{d(a, b) : a \in A, b \in B\}$. Cardinality of a set D represents the number of vertices in the set D . Cardinality of D is denoted by $|D|$.

A vertex of degree one is called a *pendant vertex*. A *walk* of length j is an alternating sequence $W : u_0, e_1, u_1, e_2, u_2, \dots, u_{j-1}, e_j, u_j$ of vertices and edges with $e_i = u_{i-1}u_i$. If all j edges are distinct, then W is called a *trail*. A walk with $j + 1$ distinct vertices u_0, u_1, \dots, u_j is a *path* and if $u_0 = u_j$ but u_1, u_2, \dots, u_j are distinct, then the trail is a *cycle*. A path of length n is denoted by P_n and a cycle of length n is denoted by C_n . A graph G is said to be *connected* if there is a path joining each pair of nodes. A component of a graph is a maximal connected sub graph. If a graph has only one component, then it is connected, otherwise it is *disconnected*. A *tree* is a connected graph with no cycles (acyclic).

We say that H is a *sub graph* of a graph G , denoted by $H < G$, if $V(H) \subseteq V(G)$ and $uv \in E(H)$ implies $uv \in E(G)$. If a sub graph H satisfies the added property that for every pair u, v of vertices, $uv \in E(H)$ if and only if $uv \in E(G)$, then H is called an *induced sub graph* of G . The induced sub graph H of G with $S = V(H)$ is called the sub graph induced by S and is denoted by $\langle S|G \rangle$ or simply $\langle S \rangle$.

Let k be a positive integer. The k^{th} *power* G^k of a graph G has $V(G^k) = V(G)$ with u, v adjacent in G^k whenever $d(u, v) \leq k$.

The concept of domination was introduced by Ore [10] . A set $D \subseteq V(G)$ is called a *dominating set* if every vertex v in V is either an element of D or is adjacent to an element of D . A dominating set D is a minimal dominating set if $D - \{v\}$ is not a dominating set for any $v \in D$. The domination number $\gamma(G)$ of a graph G equals the minimum cardinality of a dominating set in G .

A set D of vertices in a connected graph G is called a *k-dominating set* if every vertex in $V - D$ is within distance k from some vertex of D . The concept of the k -dominating set was introduced by Chang and Nemhauser [1, 2] and could find applications for many situations and structures which give rise to graphs; see the books by Slater et al [4, 5]. So, dominating set is nothing but 1-dominating set.

Sampath Kumar and Walikar [11] defined a connected dominating set D to be a dominating set D , whose induced sub-graph $\langle D \rangle$ is *connected*. The minimum cardinality of a connected dominating set is the connected domination number $\gamma_c(G)$.

The readers are also directed to refer Slater et al. [4] for further details of basic definitions, not given in this paper.

Let us recall the terminologies as follows: The symbol (\rightarrow) denotes “represents ”

- Graph \rightarrow Social Network (connected)
- Vertex of a graph \rightarrow Person in a social network
- Edge between two vertices of a graph \rightarrow Relationship between two persons in a social network
- Induced subgraph of a graph \rightarrow **Team or Group** of a social network.

Given a connected network of people. Our problem is to find a team (sub graph) which is less dispersive, highly flexible and performing better.

Note 1. Notation 1:

In all the figures of this paper,

- $\{v_1, v_2, \dots, v_n\}$ represent the vertex set of the graph G , that is, $V(G) = \{v_1, v_2, \dots, v_n\}$.
- The numbers besides every vertex represents the eccentricity of that vertex. For example, in Figure 1, in the graph G , $e(v_1) = 5$, $e(v_2) = 4$, $e(v_3) = 3$, $e(v_4) = 3$, $e(v_5) = 4$ and $e(v_6) = 5$.
- The set notation $D = \{v_1, v_2, \dots, v_n\}$ represents only the individual persons but does not represent the relationship between them.
- The notation $\langle D \rangle$ represents the team. $\langle D \rangle$ is the induced sub graph of G , which represents the persons as well as the relationship between them. So, the set D represents only the team members and the team represents the persons with their relationship.

The remaining part of the paper is organized as follows:

- Section 2 discusses about prior work.
- Section 3 defines core comfortable team and analyses the concept with some examples.
- In section 4, an approximation algorithm is given for finding core comfortable team in any given network, with illustrations. Time complexity of the algorithm is analyzed. Also, correctness of the algorithm and performance ratio of the algorithm are proved in this section.

- In Section 5, another approximation algorithm is given, based on connected dominating set, for finding core comfortable team in any given network, with illustrations. Time complexity, correctness and performance ratio of this algorithm are discussed in this section.
- In section 6, some advantages of the two algorithms are given.
- Section 7 concludes the paper and discusses about some future work.

2. Prior Work

In our paper [6], we defined characteristics of a good performing team and mathematically formulated them and given approximation algorithm for finding such a good performing team. *In order to make this paper self-contained, we have given all the necessary definitions, examples and properties from our paper [6], which are needed for this paper, in this section.*

Definition 1. [6] A team is said to be **good performing or successful** if the team is

1. less dispersive
2. having good communication among the team members
3. easily accessible to the non- team members
4. a good service provider to the non-team members (for the whole network).

Mathematical Formulation

Domination → good service provider to the non-team members.

Connectedness → good communication among team members.

Definition 2. Less Dispersive Set: [6] A set D is said to be less dispersive, if $e_{\langle D \rangle}(v) < e_G(v)$, for every vertex $v \in D$.

Definition 3. Less Dispersive Dominating Set: [6] A set D is said to be a less dispersive dominating set if the set D is dominating, connected and less dispersive. The cardinality of minimum less dispersive dominating set of G is denoted by $\gamma_{comf}(G)$. A set of vertices is said to be a $\langle \gamma_{comf} - set \rangle$, if it is a less dispersive dominating set with cardinality $\gamma_{comf}(G)$.

Definition 4. Comfortable Team: [6] A team $\langle D \rangle$ is said to be a comfortable team if $\langle D \rangle$ is less dispersive and dominating. Minimum comfortable team is a comfortable team with the condition: $|D|$ is minimum.

Example 1: Consider the graph (network) G in Figure 1.

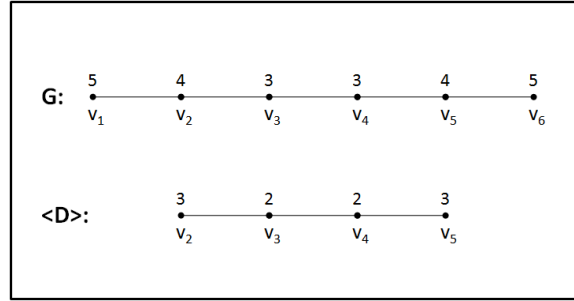


Figure 1: A Network and its Comfortable Team

Here, G is a path of length six (P_6). $D = \{v_2, v_3, v_4, v_5\}$. The induced sub graph $\langle D \rangle$ of G forms a path of length four (P_4) and so it dominates all the vertices in $V - D$. Also, $\langle D \rangle$ forms the comfortable team of G , because $e_{\langle D \rangle}(v_2) = 3 < 4 = e_G(v_2) \Rightarrow e_{\langle D \rangle}(v_2) < e_G(v_2)$. Similarly, $e_{\langle D \rangle}(v_i) < e_G(v_i)$ for every $i = 3, 4, 5$. Thus, D forms less dispersive set and hence $\langle D \rangle$ forms the comfortable team of G . $\Rightarrow \gamma_{comf}(P_6) = 4$.

So, the problem is coined as: Find a team which is dominating, connected and less dispersive. It is to be noted that there are many graphs which do not have $\langle \gamma_{comf} - set \rangle$. So, we must try to avoid such kind of networks for successful team work.

Example 2: Consider the graph G in Figure 2.

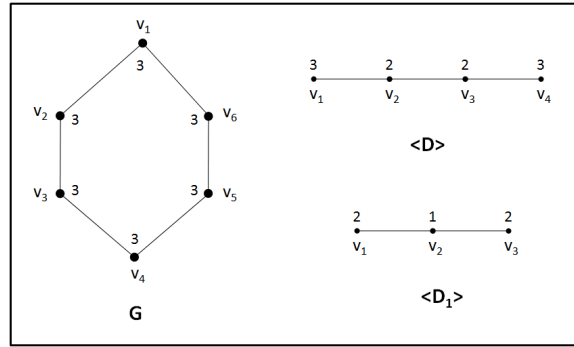


Figure 2: A Network and its CC Team

Here, G is a cycle of length six (C_6). The vertices v_1 and v_4 dominate all the vertices of G . So, with connectedness, we can take $D = \{v_1, v_2, v_3, v_4\}$. The set D dominates G , but D is not less dispersive, because, $e_{\langle D \rangle}(v_1) = 3 = e_G(v_1)$ and $e_{\langle D \rangle}(v_4) = 3 = e_G(v_4)$. The vertices v_1 and v_4 maintained the original eccentricity as in G . Thus, $e_{\langle D \rangle}(v) < e_G(v)$, for every vertex $V \in D$ is **not satisfied**. So, D is not less dispersive and hence $\langle D \rangle$ is not a comfortable team.

Also, $D_1 = \{v_1, v_2, v_3\}$ forms less dispersive set in G , (from Figure 2), but D_1 is not dominating. The vertex v_5 is left undominated.

Note 2. From the above discussion in Example 2, we get,

- the less dispersive set may not be dominating

- the dominating set may not be less dispersive.

So, under one of these two cases, the graph G does not possess comfortable team. It is to be noted that not only C_6 , but all the cycles C_n , do not possess a comfortable team. Also, there are infinite families of graphs which do not possess comfortable team.

Disadvantage of the comfortable team [6]:

As discussed in the Example 2, comfortable team does not exist in any given network. Infinite families of networks do not possess comfortable team.

The main aim of this paper is to find a team which is **more comfortable and less dispersive**, in **any given social network**.

So, we define a core comfortable team with a modification in the comfortable team in the next section.

3. Core Comfortable Team

As discussed in Note 2, the less dispersive set may not be dominating. So, we define less dispersive set with k^* -domination.

Definition 5. Less Dispersive k^* - Dominating Set:

A set D is said to be a ‘less dispersive k^* -dominating’ set if D is a less dispersive set and a k^* - dominating set. That is,

1. $e_{\langle D \rangle}(v) < e_G(v)$, for every vertex $v \in D$ (less dispersive)
2. $dist(D, V - D) \leq k^*$ (k^* - domination). This implies that $k^* \leq diam(G)$, (because any vertex in $V - D$ can reach D at a distance of at most $diam(G)$).

Minimum cardinality of a ‘less dispersive k^* -dominating’ set of G is denoted by $\gamma_{k^*comf}(G)$ and maximum cardinality of a ‘less dispersive k^* -dominating’ set of G is denoted by $\Gamma_{k^*comf}(G)$.

Definition 6. Core Comfortable Team: A team $\langle D \rangle$ is said to be a Core Comfortable (CC) team if $\langle D \rangle$ is less dispersive k^* -dominating.

- Min CC team is a CC team with the condition: $|D|$ and k^* are minimum
- Max CC team is a CC team with the condition: $|D|$ is maximum and k^* is minimum.

Example 3: Consider the graph G (C_6) in Figure 2. In C_6 , $D_1 = \{v_1, v_2, v_3\}$ forms a less dispersive 2-dominating set, because

1. $e_{\langle D_1 \rangle}(v_i) < e_G(v_i)$, for $i = 1, 2, 3$.
2. $k^* = 2$, because v_5 is reachable from D_1 by distance two, v_4 and v_6 are reachable from D_1 by distance one. $\Rightarrow dist(D_1, V - D_1) \leq 2$.

Thus, CC team exists in C_6 and hence $\gamma_{2comf}(G) = \Gamma_{2comf}(G) = 3$.

Theorem 1. *Forming core comfortable team in a given network is NP-complete.*

Proof. Let D be a minimum less dispersive k^* -dominating set of G .

$\Rightarrow D$ is a connected k^* -dominating set of G (since any less dispersive set is a connected set).

$\Rightarrow D$ is a connected dominating set of G^{k^*} (by definition of the graph G^k).

Finding $\gamma_c(G)$, for any graph G is NP-complete (by Slater et al. [4]).

\Rightarrow Finding $\gamma_c(G^{k^*})$ is NP-complete.

\Rightarrow Finding minimum less dispersive k^* -dominating set of G is NP-complete (by above points).

Thus forming core comfortable team in a given network is NP-complete. \square

Next, we give two polynomial time approximation algorithms for finding core comfortable team in any given network.

4. Approximation Algorithm 1

In this section, we give a polynomial-time approximation algorithm for finding CC team from a given network.

4.1. Notation 2

- $D \rightarrow$ minimum less dispersive, k^* -dominating set.
- $D_1 \rightarrow$ minimal less dispersive, k -dominating set, (output of our algorithm). $\Rightarrow |D_1| \geq |D|$.
- $k^* \rightarrow$ the distance between two sets D and $V - D$, that is, $dist(D, V - D) \leq k^*$.
- $k \rightarrow$ the distance between two sets D_1 and $V - D_1$, that is, $dist(D_1, V - D_1) \leq k$.
- Instant $D \rightarrow$ The set D at a particular iteration.
- Performance ratio = $\frac{|minimal\ set|}{|minimum\ set|}$.

4.2. Algorithm GOCOM

A polynomial time approximation algorithm for finding CC team is given below.

Input: G .

Output: D_1 , which is a less dispersive, k -dominating set, so that $\langle D_1 \rangle$ is a core comfortable team.

GOCOM(G)

1. Choose a central vertex v (ties can be broken arbitrarily) and add it to D_1 .
2. If $diam(G)$ is even, then choose all the vertices in $N_j(v)$, for $j \leq \frac{diam(G)}{2}$ and add them to D_1 .
else choose all the vertices in $N_j(v)$, for $j \leq \frac{(diam(G) - 1)}{2}$ and add them to D_1 .
3. Put $i = \left\lfloor \frac{diam(G)}{2} \right\rfloor$.
4. If $e_{\langle D_1 \rangle}(v) < e_G(v)$, for every vertex $v \in D_1$, then Goto next step (step 5), else Goto Step 7.
5. Put $i = i + 1$.
6. Choose all vertices from $N_i(v)$ and add it to D_1 . Then GOTO step 4.
7. Remove suitably some vertices from D_1 (say from $D_1 \cap N_{i-1}(v)$, from $D_1 \cap N_{i-2}(v)$, and so on) such that the condition in step 4 is satisfied.
8. Print D_1 .
9. Stop.

Note 3. At each iteration after forming D_1 , we check up the condition:

$$e_{\langle D_1 \rangle}(v) < e_G(v), \text{ for every vertex } v \in D_1. \quad (1)$$

If the condition 1 is not satisfied in Step 4, then the Step 7 is executed in the algorithm. We remove some vertices from D_1 until the condition 1 is satisfied.

If the condition 1 is satisfied, then we add some vertices to D_1 . There may be a question: why should the process be continued? We add some vertices to D_1 , in order to minimize k . Our aim is to minimize k as well as to satisfy the condition 1.

So, in Step 6, we add some vertices to D_1 and check up the condition 1.

If the condition 1 is satisfied, then we proceed to add vertices to D_1 . But, we can not go on adding vertices to D_1 , because at one stage, the condition 1 will not be satisfied. Then the step 7 will be executed.

After Step 7 is executed, the condition 1 is satisfied. So, no further addition and deletion of vertices are done. The algorithm prints D_1 and ends.

Note 4. The algorithm GOCOM finds a CC team. If Min CC team is needed, some vertices can be removed from the output set such that k^* is minimum. If Max CC team is needed, then some vertices could be added to the output such that condition 1 is satisfied and k^* is minimum.

4.3. Illustration

Consider the network (graph) G as in the Figure 3. In this network, $diam(G) = 5$.

Initially, let us choose the central vertex v_6 and add them to D_1 . As $diam(G)$ is odd, let us choose up to $\frac{diam(G)-1}{2} = 2$ neighborhoods of v_6 and add them to D_1 . Now, instant $D_1 = \{v_1, v_2, v_4, v_5, v_6, v_7, v_8, v_{10}\}$. But, we can see in Figure 4 that vertices v_4, v_5 and v_{10} of D_1 at an intermediate iteration

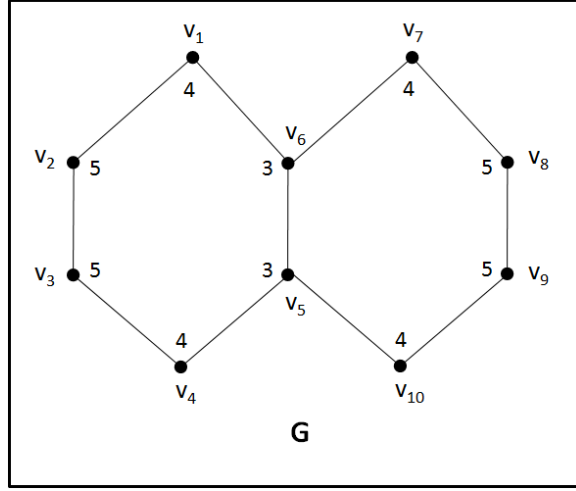


Figure 3: Illustration Figure

violate the condition 1. In order to make D_1 maintain the condition 1, we remove some vertices from D_1 .

We can either remove those vertices v_4, v_5 and v_{10} or the vertices v_2 and v_8 , so that the condition 1 is satisfied. So, we get two different outputs. Let us make the first one as $D_1 = \{v_1, v_2, v_6, v_7, v_8\}$ and the other one as $D_2 = \{v_1, v_4, v_5, v_6, v_7, v_{10}\}$. Refer Figure 5. Both outputs satisfy the condition 1 and hence both $\langle D_1 \rangle$ and $\langle D_2 \rangle$ are core comfortable teams. But, for D_1 , we get $k = 2$ and for D_2 , we get $k = 1$.

D_1 is a maximal CC team for $k = 2$ and hence $\Gamma_{2comf}(G) = 5$. Also, for $k = 2$, we see that $D_3 = \{v_5, v_6\}$ forms a minimal CC team. The vertices v_5 and v_6 are sufficient and every vertex in $V - D_3$ is reachable from D_3 by a distance of at most two. Also, D_3 satisfies the condition 1. Refer Figure 5. Thus, D_3 is a minimal CC team and hence $\gamma_{2comf}(G) = 2$.

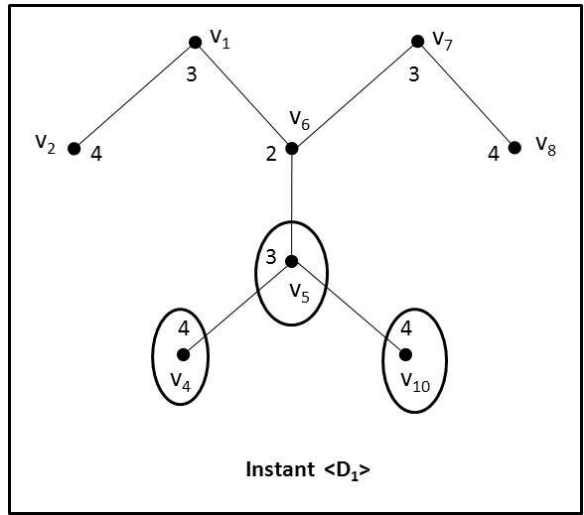


Figure 4: Intermediate Iteration showing vertices violating the condition (1)

For $k = 1$, D_2 is a minimal as well as a maximal CC team and hence $\gamma_{1comf}(G) = \Gamma_{1comf}(G) = 6$.

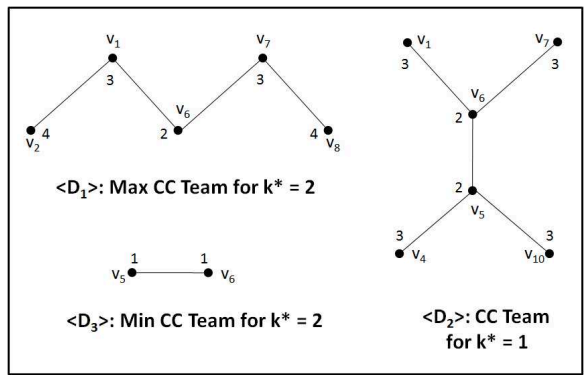


Figure 5: Three Different Outputs

Note 5. From the Illustration 4.3, we can observe that the core comfortable team is not unique for a given network. A social network may have many core comfortable teams. We can choose one team among all the teams whichever

is suitable for a particular situation. We can choose any CC team (minimum or maximum) according to our need for a particular situation.

4.4. Time Complexity of the Algorithm GOCOM

Let us discuss the time complexity of the algorithm as follows:

The definition of CC team and the algorithm GOCOM is dependent on eccentricity of every vertex. So, we have to find eccentricity of every vertex of G . By Performing Breadth-First Search (BFS) method from each vertex, one can determine the distance from each vertex to every other vertex. The worst case time complexity of BFS method for one vertex is $O(n^2)$. As the BFS is method is done for each vertex of G , the resulting algorithm has worst case time complexity $O(n^3)$. As eccentricity of a vertex v is defined as $e(v) = \max\{d(u, v) : u \in V(G)\}$, finding eccentricity of vertices of G takes at most $O(n^3)$.

Thus, the total worst case time complexity of the algorithm is at most $O(n^3)$.

4.5. Correctness of the Algorithm GOCOM

In order to prove that the algorithm GOCOM yields a CC team, it is sufficient to prove that the condition in Step 4 of the algorithm is satisfied. As proof follows from Note 3, we state the following theorem without proof.

Theorem 2. $e_{\langle D_1 \rangle}(v) < e_G(v)$, for every vertex $v \in D_1$, where D_1 is the output of our Algorithm GOCOM.

4.6. Performance Ratio of the Algorithm GOCOM

It is to be noted that the algorithm has two parameters, namely, $|D|$ and k^* . The set D represents the team members of CC team, and k^* represents

the distance between the team members and non-team members. We find performance ratio of the algorithm for finding **Min CC team**. So, it is necessary that both D and k^* should be minimized simultaneously.

The following theorem gives the performance ratio for finding the minimum less dispersive k^* – dominating set. Performance ratio of the algorithm for finding the minimum CC team is equal to $|D_1|/|D|$.

Theorem 3. *The performance ratio of the algorithm for finding Min CC team is at most $O(\ln \Delta(G))$.*

Proof. Let D_1 be a minimal less dispersive k – dominating set of G and let D be a minimum less dispersive k^* – dominating set of G .

$\Rightarrow D$ is a connected k^* – dominating set of G (since any less dispersive set is a connected set).

$\Rightarrow D$ is a connected dominating set of G^{k^*} (by definition of the graph G^{k^*}).

Performance ratio for finding $\gamma_c(G)$ is at most $O(\ln \Delta(G))$.

\Rightarrow Performance ratio for finding $\gamma_c(G^{k^*})$ is at most $O(\ln \Delta(G^{k^*}))$.

But, $\Delta(G^{k^*}) \leq (\Delta(G))^{k^*}$.

\Rightarrow Performance ratio for finding $\gamma_c(G^{k^*})$ is at most $O(\ln(\Delta(G))^{k^*}) = O(k^* \ln \Delta(G)) = O(\ln \Delta(G))$.

Thus, the performance ratio of the algorithm for finding Min CC team is at most $O(\ln \Delta(G))$. □

Next, let us give the performance ratio for finding k^* . Performance ratio of the algorithm for finding k^* is equal to k/k^* .

Theorem 4. *The performance ratio of the Algorithm GOCOM for finding k^* is at most $r(G)$.*

Proof. Let us recall from Notation 2: $dist(D, V - D) \leq k^*$ and $dist(D_1, V - D_1) \leq k$, that is, k and k^* denote the minimal parameter and the minimum parameter respectively.

In the Algorithm GOCOM, we start from a central vertex. So, the output set D_1 always contains at least one central vertex. This implies that any vertex in $V - D_1$ is reachable from D_1 by distance at most $r(G)$. Thus, $k \leq r(G)$.

Also, as 1-dominating set is possible in many cases, $k^* \geq 1$.

Thus, $\frac{k}{k^*} \leq r(G)$. □

5. Approximation Algorithm 2

In this section, we give another approximation algorithm for finding core comfortable team and analyze its time complexity, correctness and performance ratio.

Algorithm CONCOMF:

Input: G .

Output: D_1 , which is a less dispersive k - dominating set, so that $\langle D_1 \rangle$ is a CC team.

CONCOMF(G)

1. Find a connected k - dominating set of G (using an approximation algorithm).
2. Store all the vertices in D_1 .
3. If $e_{\langle D_1 \rangle}(v) < e_G(v)$, for every vertex $v \in D_1$, then GOTO Step 5 else Goto Step 4 (next step).

4. Remove suitably some vertices from D_1 such that the condition in step 3 is satisfied .
5. Print D_1 .
6. Stop.

Note 6. The algorithm CONCOMF finds a CC team. If Min CC team is needed, in Step 1, find a minimal k - dominating set of G . If Max CC team is needed, in Step 1, find a maximal connected k - dominating set of G . Executing the Algorithm CONCOMF in graph G of Figure 3, we get D_1 is maximal CC team and D_3 is minimal CC team for $k = 2$ and D_2 is a minimal and maximal CC team for $k = 1$.

5.1. Time Complexity of the Algorithm CONCOMF

The worst case time complexity of the approximation algorithm for finding connected dominating set is at most $O(n^3)$. Also, as discussed in the Section 4.4, the definition of CC team is dependent on eccentricity of every vertex and finding eccentricity of vertices of G takes at most $O(n^3)$ in worst case.

Thus, the total worst case time complexity of the algorithm is at most $O(n^3)$.

5.2. Correctness of the Algorithm CONCOMF

At the end of Step 4 in Algorithm CONCOMF, the output D_1 satisfies the condition 1. So, we state the following theorem without proof.

Theorem 5. $e_{\langle D_1 \rangle}(v) < e_G(v)$, for every vertex $v \in D_1$, where D_1 is the output of our Algorithm GOCOM.

5.3. Performance Ratio Of the Algorithm CONCOMF

As discussed in the Section 4.6, for finding a Min CC team, it is necessary that the two parameters $|D|$ and k^* should be minimized simultaneously.

The following theorem gives the performance ratio for finding the minimum less dispersive k^* -dominating set. As proof follows from Theorem 3, we state the following theorem without proof.

Theorem 6. *The performance ratio of the Algorithm CONCOMF for finding Min CC team is at most $O(\ln \Delta(G))$.*

Next, we give performance ratio of the algorithm CONCOMF for finding k^* .

Theorem 7. *The performance ratio of the Algorithm CONCOMF for finding k^* is at most $diam(G)$.*

Proof. As 1-dominating set is possible in many cases, $k^* \geq 1$.

Also, any vertex in D_1 is reachable from $V - D_1$ by a distance of at most $diam(G)$. This implies that $k \leq diam(G)$.

Thus, $\frac{k}{k^*} \leq diam(G)$. □

6. Advantages

Advantage 1: The algorithms give **good results in scale free networks** for finding core comfortable team.

Explanation: The performance ratio of the Algorithms GOCOM and CONCOMF for finding k^* , are dependent on $r(G)$ and $diam(G)$ respectively (by Theorems 7 and 4). It is known that the growing scale-free networks have

almost constant diameter in practice. So, the algorithms give constant performance ratio in scale free networks.

Advantage 2: The algorithms can be applied in any **random networks** for finding CC team.

Explanation: From the theorems 3, 4, 6 and 7, it is clear that the performance ratio of the algorithm for finding $|D|$ and k^* is dependent on $diam(G)$ and $\Delta(G)$. As both these terms can be expressed in terms of the probability p , the performance ratio of the algorithm can be easily obtained for random networks in terms of p .

Advantage 3: CC team can be obtained in **disconnected networks** also using the algorithms.

Explanation: If the network (graph) is disconnected, then as mentioned in the Section 1, algorithm can be applied to each connected component of the network. Thus, algorithm can be applied to find CC team in any given network.

7. Conclusion

In this paper, core comfortable team of a social network is defined. It is proved that forming core comfortable team in any given network is NP-complete. Two polynomial time approximation algorithms are given for finding a CC team in any given network and the time complexity of those algorithms are given to be $O(n^3)$, where n is the number of vertices of G . The correctness of the algorithms are analyzed. The performance ratio of the algorithms for finding Min CC team is proved to be $O(\ln \Delta)$, where Δ is the maximum degree of G . The performance ratio of the two algorithms for

finding k^* is proved to be at most $r(G)$ and $diam(G)$ respectively. It is also proved that the algorithms give good results in scale free networks.

7.1. Future Work

The algorithms can be applied in a particular social network, for example, Poisson network and can be tried to reduce the performance ratio in that network. Algorithms can be implemented to get exact values also in some particular networks, for example scale free networks and so on. Also, as discussed in Note 5, a social network can have many CC teams. So, we can analyse the different situations for which the CC teams are suitable.

References

- [1] G.J. Chang, *k-domination and graph covering problems*, Ph.D. Thesis, School of OR and IE, Cornell University, Ithaca, NY, 1982.
- [2] G.J. Chang, G.L. Nemhauser, *The k-domination and k-stability problems on sun-free chordal graphs*, SIAM J. Algebraic Discrete Methods, 5, (1984), 332-345.
- [3] Donelson R.Forsyth, *Group Dynamics*, 3rd ed. Belmont, CA: Wadsworth, (1999).
- [4] T. W. Haynes, S. T. Hedetniemi, P. J. Slater, *Fundamentals of domination in graphs*, Marcel Dekker, New York, (1998).
- [5] T.W.Haynes, Stephen T.Hedetniemi, Peter J.Slater, *Domination in Graphs: Advanced Topics*, Marcel Dekker, Inc. New York, (1998).

- [6] Lakshmi Prabha S, T.N.Janakiraman, *Polynomial-time Approximation Algorithm for finding Highly Comfortable Team in any given Social Network*, ArXiv, 18 May 2014, <http://arxiv.org/abs/1405.4534> or <http://arxiv.org/pdf/1405.4534v1.pdf>.
- [7] Lakshmi Prabha S, T.N.Janakiraman, *Polynomial-time Approximation Algorithm for finding Totally Comfortable Team in any given Social Network*, Accepted in Proceedings of the ICHSS 2014.
- [8] F.Martino and A.Spotto, *Social Network Analysis: A brief theoretical review and further perspectives in the study of Information Technology*, PsychNology Journal, Volume 4, Number 1, (2006), pp. 53-86.
- [9] S. Mickan and S.Rodger, *Characteristics of effective teams: a literature review*, Australian Health Review, Vol 23 No 3, (2000), 201-208.
- [10] O.Ore, *Theory of Graphs*, Amer. Soc. Colloq. Publ. vol. 38. Amer. Math. Soc., Providence, RI, (1962).
- [11] E. Sampathkumar, H. B. Walikar, *The connected domination number of a graph*, J.Math.Phys.Sci., 13, (1979), 607-613.