

THE SINGULAR SET OF MEAN CURVATURE FLOW WITH GENERIC SINGULARITIES

TOBIAS HOLCK COLDING AND WILLIAM P. MINICOZZI II

ABSTRACT. A mean curvature flow starting from a closed embedded hypersurface in \mathbf{R}^{n+1} must develop singularities. We show that if the flow has only generic singularities, then the space-time singular set is contained in finitely many compact embedded $(n-1)$ -dimensional Lipschitz submanifolds plus a set of dimension at most $n-2$. If the initial hypersurface is mean convex, then all singularities are generic and the results apply.

In \mathbf{R}^3 and \mathbf{R}^4 , we show that for almost all times the evolving hypersurface is completely smooth and any connected component of the singular set is entirely contained in a time-slice. For 2 or 3-convex hypersurfaces in all dimensions, the same arguments lead to the same conclusion: the flow is completely smooth at almost all times and connected components of the singular set are contained in time-slices.

A key technical point is a strong *parabolic* Reifenberg property that we show in all dimensions and for all flows with only generic singularities. We also show that the entire flow clears out very rapidly after a generic singularity.

These results are essentially optimal.

0. INTRODUCTION

A major theme in PDE's over the last fifty years has been understanding singularities and the set where singularities occur. In the presence of a scale-invariant monotone quantity, blowup arguments can often be used to bound the dimension of the singular set; see, e.g., [Al], [F2]. Unfortunately, these dimension bounds say little about the structure of the set. In this paper we obtain a rather complete description of the singular set for a non-linear evolution equation that originated in material science in the 1920s.

The evolution equation is the mean curvature flow (or MCF) of hypersurfaces. A hypersurface in \mathbf{R}^{n+1} evolves over time by MCF if it is locally moving in the direction of steepest descent for the volume element. This equation has been used and studied in material science to model things like cell, grain, and bubble growth.

Under MCF surfaces contract and eventually become extinct. Along the flow singularities develop. For instance, a round sphere remains round but shrinks and eventually becomes extinct in a point. Likewise, a round cylinder remains round and eventually becomes extinct in a line. For a torus of revolution, the rotational symmetry is preserved as the torus shrinks and eventually it becomes extinct in a circle. In these three examples, the singular set consists of a point, a line, and a closed curve, respectively, and, in each case, the singularities occur only at a single time. The natural question is what happens in general? Are the above examples representative? Is the singular set contained in a nice submanifold?

The authors were partially supported by NSF Grants DMS 11040934, DMS 1206827, and NSF FRG grants DMS 0854774 and DMS 0853501.

The first step towards understanding singularities, and the singular set, in MCF is blowup analysis. In the blowup analysis, a sequence of rescalings at a singularity has a subsequence that converges weakly to a limiting blowup (or tangent flow). A priori different subsequences could give different limits. A singularity of a MCF is *cylindrical* if a blowup at the singularity is a multiplicity one shrinking round cylinder $\mathbf{R}^k \times \mathbf{S}^{n-k}$ for some $k < n$.¹ If at least one tangent flow is cylindrical, then all are by [CIM]; in fact, even the axis of the cylinder is unique by [CM2]. By [CM1], generic singularities are cylindrical. Moreover, if the initial hypersurface is mean convex, then all singularities are cylindrical; see, [W1], [W2], [W6], [H2], [HS1], [HS2], [HaK], [An].

Our main result is that the singular set is rectifiable:

Theorem 0.1. Let $M_t \subset \mathbf{R}^{n+1}$ be a MCF with only cylindrical singularities starting at a closed smooth embedded hypersurface, then the space-time singular set \mathcal{S} satisfies:

- \mathcal{S} is contained in finitely many (compact) embedded Lipschitz submanifolds each of dimension at most $(n - 1)$ together with a set of dimension at most $(n - 2)$.

This theorem is even stronger than one might think since it uses the parabolic distance on space-time $\mathbf{R}^{n+1} \times \mathbf{R}$. The *parabolic distance* between points (x, s) and (y, t) of $\mathbf{R}^{n+1} \times \mathbf{R}$ is

$$(0.2) \quad \text{dist}_P((x, s), (y, t)) = \max\{|x - y|, |s - t|^{1/2}\}.$$

This distance scales differently in time versus space and the parabolic distance can be much greater than the Euclidean distance for points at nearby times. The parabolic Hausdorff dimension is the Hausdorff dimension with respect to parabolic distance. In particular, time has dimension two and space-time has dimension $n + 3$.

Each submanifold in Theorem 0.1 is the image of a map from a domain² in \mathbf{R}^{n-1} to $\mathbf{R}^{n+1} \times \mathbf{R}$ that is Lipschitz with respect to Euclidean distance on \mathbf{R}^{n-1} and parabolic distance on $\mathbf{R}^{n+1} \times \mathbf{R}$. The proof of Theorem 0.1 relies crucially on uniqueness of tangent flows.

We prove considerably more than what is stated in Theorem 0.1; see Theorem 3.20 in Section 3. For instance, we show regularity of the entire stratification of the space-time singular set. Moreover, we do so without ever discarding **any** subset of measure zero of any dimension as is always implicit in any definition of rectifiable.³ To illustrate the much stronger version, consider the case of evolution of surfaces in \mathbf{R}^3 . In that case, we show that the space-time singular set is contained in finitely many (compact) embedded Lipschitz curves with cylinder singularities together with a countable set of spherical singularities. In higher dimensions, we show the direct generalization of this.

In the simple examples of shrinking cylinders and tori of revolution, all of the singularities occurred at a single time. Part (B) in the next theorem gives criteria to explain this.

Theorem 0.3. If M_t is as in Theorem 0.1, then \mathcal{S} satisfies:

- (A) \mathcal{S} is the countable union of graphs $(x, t(x))$ of 2-Hölder functions on subsets of space.
- (B) Each subset of \mathcal{S} with finite parabolic 2-dimensional Hausdorff measure misses almost every time; each such connected subset is contained in a time-slice.

¹ For many of our results (though not all) one can allow the tangent flow to have multiplicity greater than one (cf. [BeWa]), however this higher multiplicity does not occur in the most important cases.

²The map can be taken to be a graph over a subset of a time-slice; this is connected to Theorem 0.3.

³See, for instance, [D], [F1], [P], [ChCT], [LjT], [LW], [S2].

In (A), x lies in a subset Ω of space \mathbf{R}^{n+1} and the time function $t : \Omega \rightarrow \mathbf{R}$ is 2-Hölder. Recall that a function is p -Hölder if there is a constant C so that

$$(0.4) \quad |t(x) - t(y)| \leq C |x - y|^p.$$

To say that $t = t(x)$ is 2-Hölder is equivalent to that the map $x \rightarrow (x, t(x))$ into space-time is Lipschitz with respect to the parabolic metric. The 2-Hölder condition is very strong and is rarely considered since any 2-Hölder function on an interval must be constant. However, there are non-constant 2-Hölder functions on more general subsets, including disconnected subsets, even of \mathbf{R} , as in Figure 1. Part (B) shows constancy of the time function for connected subsets with finite 2-dimensional measure.

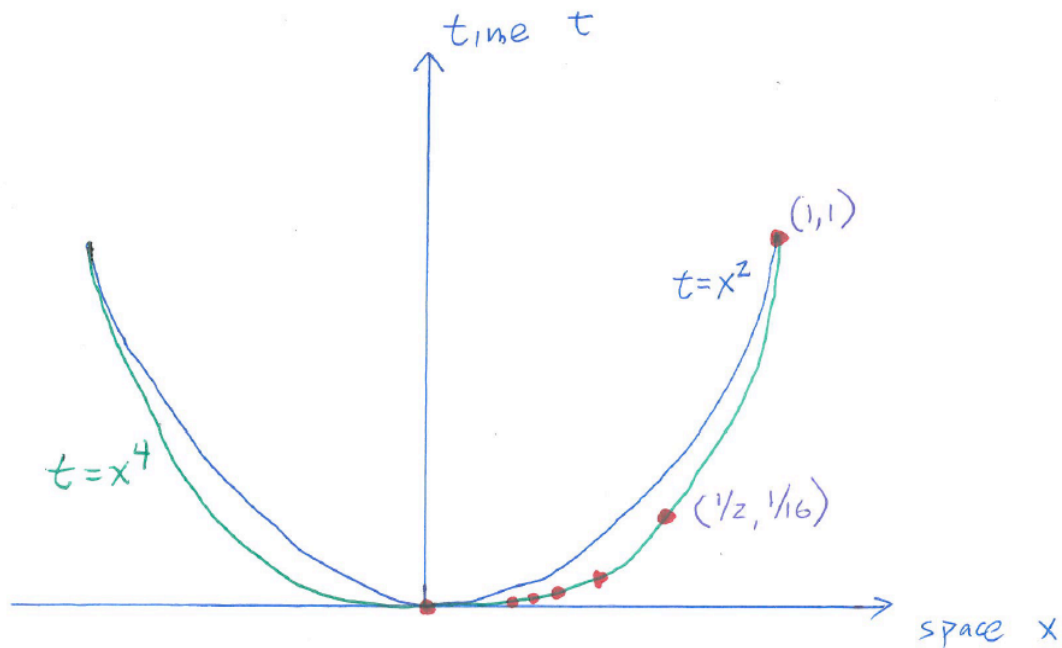


FIGURE 1. An infinite set that is a 2-Hölder graph of a non-constant function: the points (k^{-1}, k^{-4}) for $k = 1, 2, \dots$ and the limit point 0.

Theorems 0.1 and 0.3 have the following corollaries:

Corollary 0.5. Let $M_t \subset \mathbf{R}^{n+1}$ be a MCF starting at a closed smooth embedded mean convex hypersurface, then the conclusions of Theorems 0.1 and 0.3 hold.

In dimension three and four we get in addition:

Corollary 0.6. If M_t is as in Theorem 0.1 and $n = 2$ or 3 , then the evolving hypersurface is completely smooth (i.e., without any singularities) at almost all times. In particular, any connected subset of the space-time singular set is completely contained in a time-slice.

Corollary 0.7. For a generic MCF in \mathbf{R}^3 or \mathbf{R}^4 , or a flow starting at a closed smooth embedded mean convex hypersurface in \mathbf{R}^3 or \mathbf{R}^4 , the conclusion of Corollary 0.6 holds.

We get the the same result as in Corollary 0.7 in all dimensions if we assume that the initial hypersurface is 2- or 3-convex. A hypersurface is said to be k -convex if the sum of any k principal curvatures is nonnegative.

0.1. Some ingredients in the proof. A key technical point in this paper is to prove a strong parabolic Reifenberg property for MCF with generic singularities. In fact, we will show that the space-time singular set is parabolic Reifenberg vanishing. In analysis⁴ a subset of Euclidean space is said to be Reifenberg (or Reifenberg flat) if on all sufficiently small scales it is, after rescaling to unit size, close to a k -dimensional plane. The dimension of the plane is always the same but the plane itself may change from scale to scale and from point to point. Many fractal curves, like the Koch snowflake, are Reifenberg with $k = 1$ but have Hausdorff dimension strictly larger than one; see Figure 2. A set is said to be Reifenberg vanishing if the closeness to a k -plane goes to zero as the scale goes to zero. It is said to have the strong Reifenberg property if the k -dimensional plane depends only on the point but not on the scale. Finally, one sometimes distinguishes between half Reifenberg and full Reifenberg, where half Reifenberg refers to that the set is close to a k -dimensional plane, whereas full Reifenberg refers to that in addition one also has the symmetric property: The plane is also close to the set on the given scale.

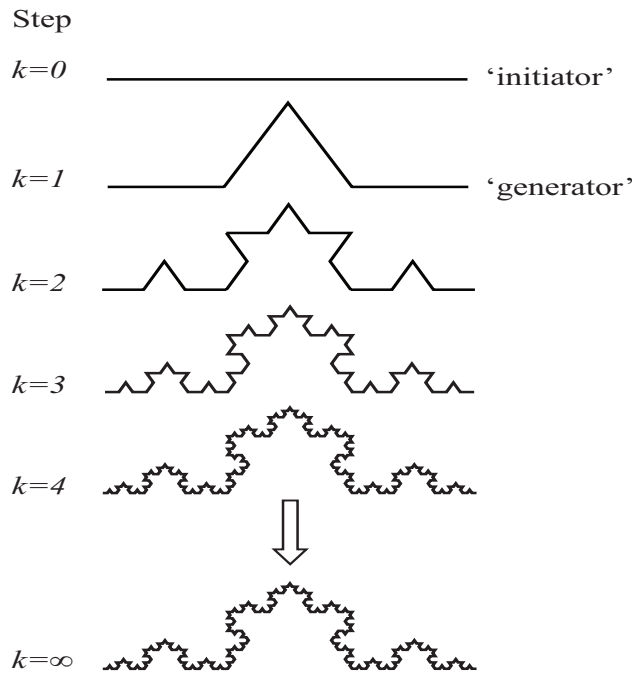


FIGURE 2. The Koch curve is close to a line on all scales, yet the line that it is close to changes from scale to scale. It is not rectifiable but admits a Hölder parametrization.

Using [CM2], we show in this paper that the singular set in space-time is strong (half) Reifenberg vanishing with respect to parabolic distance.

⁴See, for instance, [T].

0.2. Comparison with prior work. The results of this paper should be contrasted with a result of Altschuler-Angenent-Giga, [AAG] (cf. [SrSs]). The paper [AAG] showed that in \mathbf{R}^3 the evolution of any rotationally symmetric surface obtained by rotating the graph of a function $r = u(x)$, $a < x < b$ around the x -axis is smooth except at finitely many points in space-time where either a cylindrical or spherical singularity forms. For more general rotationally symmetric surfaces (even mean convex), the singularities can consist of nontrivial curves. For instance, consider a torus of revolution bounding a region Ω . If the torus is thin enough, it will be mean convex. Since the symmetry is preserved and because the surface always remains in Ω , it can only collapse to a circle. Thus at the time of collapse, the singular set is a simple closed curve. In [W1]–[W4] (see, for example, section 5 of [W3]), White showed that a mean convex surface evolving by MCF in \mathbf{R}^3 must be smooth at almost all times, and at no time can the singular set be more than 1-dimensional. In all dimensions, White, [W1]–[W6], showed that the space-time singular set of a mean convex MCF has parabolic Hausdorff dimension at most $(n - 1)$; see also theorem 1.15 in [HaK]. White’s dimension bounds are proven by classifying the blowups and then appealing to his parabolic version of Federer’s dimension reducing argument in [W5]. The dimension reducing gives that the singular set of any MCF with only cylindrical singularities has dimension at most $(n - 1)$.

We conjecture:

Conjecture 0.8. Let $M_t \subset \mathbf{R}^{n+1}$ be a MCF with only cylindrical singularities starting at a closed smooth embedded hypersurface. Then the space-time singular set has only finitely many components.

If this conjecture is true, then it would follow from this paper that in \mathbf{R}^3 and \mathbf{R}^4 MCF with only generic singularities is smooth except at finitely many times; cf. [Ba] and section 5 in [W3].

Each time-slice of a MCF will be a subset of \mathbf{R}^{n+1} , but the space-time track of the flow is a subset of $\mathbf{R}^{n+1} \times \mathbf{R}$, where the first $n + 1$ coordinates are in space and the last is the time variable. With the parabolic distance (0.2), the unit *parabolic ball* $\mathcal{P}B_1(0, 0)$ at $x = 0$ and $t = 0$ is the product of $B_1(0) \subset \mathbf{R}^{n+1}$ and the unit interval $(-1, 1) \subset \mathbf{R}$. Similarly, a parabolic ball of radius r is given by a translated copy of $B_r(0) \times (-r^2, r^2)$. This scaling implies that the volume of a parabolic ball of radius r is a constant times r^{n+3} . Finally, $\mathcal{P}T_r(T)$ will be the *parabolic tubular neighborhood* of radius r about a set $T \subset \mathbf{R}^{n+1} \times \mathbf{R}$

$$(0.9) \quad \mathcal{P}T_r(T) = \{y \in \mathbf{R}^{n+1} \times \mathbf{R} \mid \text{dist}_P(y, T) < r\}.$$

The results proven here are used in [CM6] to prove regularity for the arrival time in the level set method.

1. PARABOLIC REIFENBERG

A subset of space \mathbf{R}^{n+1} is Reifenberg⁵ if it is close to some k -dimensional plane on all sufficiently small scales. The k -plane can vary from point to point and from scale to scale and “close” means that the Hausdorff distance between the set and the k -plane is small relative to the scale. The Koch curve (with small angle) has this property; see Figure 2. If

⁵See [CK], [DKT], [HoW], section 2.3 of [LY], [PTT], [R], [S1], and [T].

the k -plane does not depend on the scale, then the set is *strong Reifenberg*. We will need a parabolic version for subsets of space-time, where the parabolic distance dist_P is used in place of Euclidean distance; see Figure 3.

1.1. Strong parabolic Reifenberg. We say that a subset $S \subset \mathbf{R}^{n+1} \times \mathbf{R}$ has the *strong parabolic k -dimensional Reifenberg property* if for some small $\delta \in (0, \frac{1}{8})$ and some $r_0 > 0$: For all $0 < r \leq r_0$, $(x, t) \in S$, there is a k -plane $V_{x,t} \subset \mathbf{R}^{n+1} \times \{t\}$ so that

$$(1.1) \quad \mathcal{P}B_r(x, t) \cap S \text{ is contained in the } \delta r \text{ parabolic tubular neighborhood of } V_{x,t}.$$

This could be called a half⁶ Reifenberg because (1.1) requires only that S is contained a tube about the plane $V_{x,t}$; the full Reifenberg is symmetric and requires also that the plane is contained in a tube around S . We emphasize that the k -plane $V_{x,t}$ is contained in $\mathbf{R}^{n+1} \times \{t\}$ and is allowed to depend only on the point (x, t) in space-time, but not on the scale r . The required closeness in (1.1) is proportional to the scale.

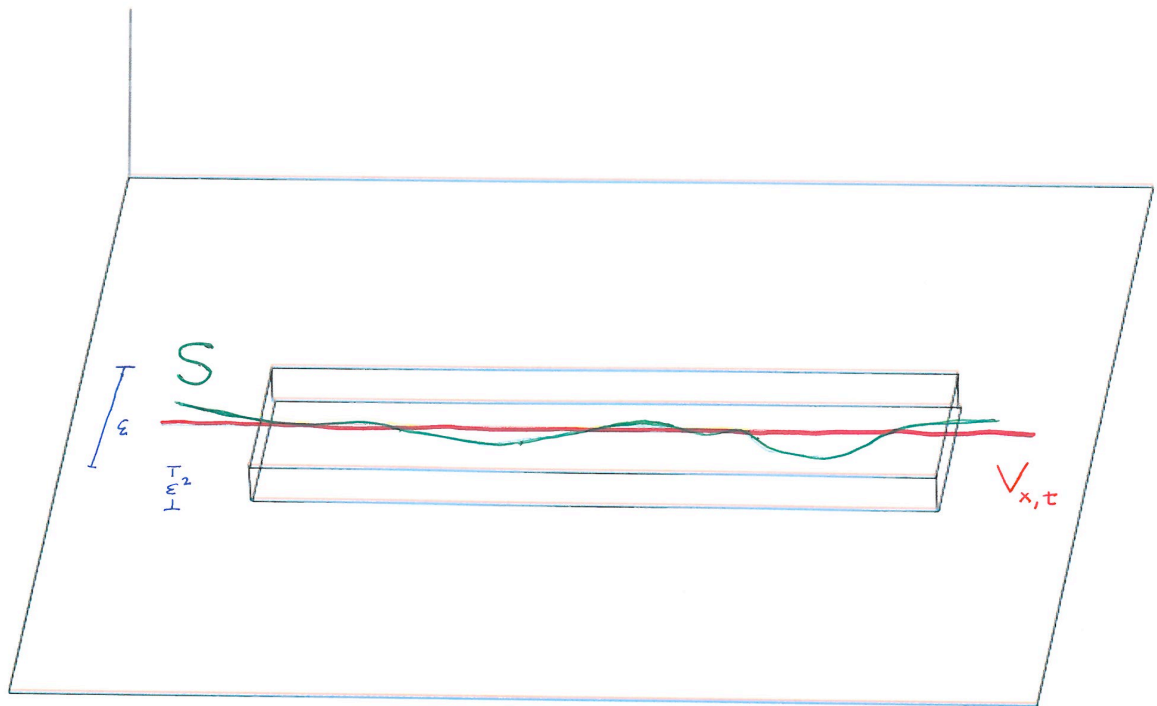


FIGURE 3. The parabolic Reifenberg property illustrated on one scale: The green set S lies in a parabolic ϵ -tubular neighborhood of the red k -dimensional plane $V_{x,t}$.

⁶See, for instance, the remarks on page 258 of [S1].

It is instructive to keep in mind that a line of the form $t = ax$ in space-time $\mathbf{R} \times \mathbf{R}$ is parabolic one-dimensional Reifenberg only if $a = 0$. More generally, any C^1 connected curve satisfying the parabolic one-dimensional Reifenberg condition must be in a time-slice.

We say that a subset $S \subset \mathbf{R}^{n+1} \times \mathbf{R}$ is *Reifenberg vanishing* if $\delta = \delta(r) \rightarrow 0$ as $r \rightarrow 0$.

The next example is strong 1-Reifenberg on scales < 1 and strong 2-Reifenberg on larger scales. It is 1-Reifenberg on all scales, but not strong.

Example 1.2. (The following example is in space; there are similar examples in space-time.)

The set consisting of the four points $(0, 0, 0)$, $(1, 0, 0)$, $(0, \epsilon, 0)$, $(1, 0, \epsilon)$ in \mathbf{R}^3 (see Figure 4) satisfies the strong 2-dimensional Reifenberg property on the scale 2 (and, in fact, on all scales) with $\delta = \epsilon$. The approximating two-planes can be taken to be $V_{(0,0,0)} = V_{(0,\epsilon,0)} = \{z = 0\}$ and $V_{(1,0,0)} = V_{(1,0,\epsilon)} = \{y = 0\}$.

- The four points do not satisfy the strong 2-dimensional *full* Reifenberg property: the points are locally contained in tubular neighborhoods of the planes, but the planes are not locally contained in neighborhoods of the points because of the gaps in the set.
- The four points do not have the strong 1-dimensional Reifenberg property at scale 2 for $\delta = \epsilon$. To see this, observe that the approximating line at $(0, 0, 0)$ must be close to the y -axis at scale ϵ and close to the x -axis at scale 2. Thus, no single line works at both scales.

The next lemma will give a condition that forces Reifenberg sets to be bi-Lipschitz graphs. Some additional condition is necessary since Example 1.2 satisfies the strong 2-dimensional Reifenberg property on the scale 2, but there is no single 2-plane where the projection is bi-Lipschitz with constant close to one. The extra condition is (1.4) in the next lemma. This will give that the planes for nearby points are close, giving additional regularity of the set. In the lemma, $d_{\mathcal{P}H}$ denotes parabolic Hausdorff distance.

Lemma 1.3. There exists $\delta > 0$ such that if $y_0 \in S \subset \mathbf{R}^{n+1} \times \mathbf{R}$, S has the strong (δ, r_0) -Reifenberg property and

$$(1.4) \quad d_{\mathcal{P}H}(\mathcal{P}B_{r_0}(y_0) \cap S, \mathcal{P}B_{r_0}(y_0) \cap V_{y_0}) < \delta r_0.$$

then the projection $\pi_{y_0} : \mathcal{P}B_{\frac{r_0}{2}}(y_0) \cap S \rightarrow V_{y_0}$ is a bi-Lipschitz map to its image. This implies the set is a graph $x \rightarrow (x, t(x))$ over a subset of space and $x \rightarrow t(x)$ is 2-Hölder on space.

Proof. To keep the notation simple, translate so that $y_0 = (0, 0)$ and rescale so that $r_0 = 1$. We will omit the $(0, 0)$ below and write V for $V_{0,0}$, π for $\pi_{0,0}$, and $\mathcal{P}B_r$ for $\mathcal{P}B_r(0, 0)$. Given any $y \in \mathbf{R}^{n+1}$, we can decompose it into

$$(1.5) \quad y = \pi(y) + y^\perp$$

where $y^\perp \in \mathbf{R}^{n+1}$ is the part orthogonal to V .

The projection π is Lipschitz, so we must show that π is one-to-one and the inverse is Lipschitz. This will follow by showing that if (y, t) and $(z, s) \in \mathcal{P}B_{\frac{1}{2}} \cap S$, then

$$(1.6) \quad |t - s|^{\frac{1}{2}} \leq C |\pi(y) - \pi(z)|,$$

$$(1.7) \quad |y^\perp - z^\perp| \leq C |\pi(y) - \pi(z)|,$$

where the constant C depends only on δ and n .

We will show that (1.6) and (1.7) follow from the strong Reifenberg property plus

$$(\dagger) \text{ If } (y, t) \in \mathcal{P}B_{\frac{1}{2}} \cap S, \text{ then } B_{\frac{1}{2}}(y) \cap V_{y,t} \subset T_{4\delta}(V + y),$$

where $T_s(K)$ is the spatial tubular neighborhood of radius s about a subset $K \subset \mathbf{R}^{n+1}$ and we have identified $V_{y,t} \subset \mathbf{R}^{n+1} \times \{t\}$ with the parallel plane in \mathbf{R}^{n+1} .

Proof of (1.6) and (1.7) assuming (\dagger) : If we let $r = \text{dist}_P((y, t), (z, s))$, then

$$(1.8) \quad (z, s) \in \mathcal{P}T_{\delta r}(V_{y,t}).$$

Since $V_{y,t}$ is contained in a time-slice, this implies that

$$(1.9) \quad |t - s|^{\frac{1}{2}} \leq \delta r = \delta \max \left\{ |t - s|^{\frac{1}{2}}, |y - z| \right\}.$$

Since $\delta < 1$, we see that $r = |y - z|$. Scaling the conclusion in (\dagger) gives

$$(1.10) \quad B_r(y) \cap V_{y,t} \subset T_{8\delta r}(V + y).$$

Combining this with (1.8) gives

$$(1.11) \quad \pi(z) + z^\perp = z \in \overline{B_r(y)} \cap T_{\delta r}(V_{y,t}) \subset T_{9\delta r}(V + y) = T_{9\delta r}(V + y^\perp),$$

where we used that V is invariant under translation by the vector $\pi(y) \in V$. Thus, we get

$$(1.12) \quad z^\perp \in T_{9\delta r}(V + y^\perp),$$

which implies that $|z^\perp - y^\perp| \leq 9\delta r$. As long as $\delta < \frac{1}{9}$, this implies (1.7). Equation (1.6) follows immediately from (1.7) and (1.9).

Proof of (\dagger) : Use (1.4) and the strong Reifenberg property at y to get

$$(1.13) \quad \mathcal{P}B_{\frac{1}{2}} \cap V \subset \mathcal{P}B_1(y, t) \cap \mathcal{P}T_\delta(S) \subset \mathcal{P}T_{2\delta}(V_{y,t}).$$

This implies that $V_{y,t}$ intersects $B_{2\delta}$, so we get $T_{2\delta}(V_{y,t}) \subset T_{4\delta}(V_{y,t} - y)$ and, thus,

$$(1.14) \quad B_{\frac{1}{2}} \cap V \subset T_{4\delta}(V_{y,t} - y).$$

Finally, since $\dim V = \dim V_{y,t}$, we can apply Lemma 1.15 below to get (\dagger) . □

Lemma 1.15. Suppose that V, W are both k -planes through 0 in \mathbf{R}^{n+1} . If $B_1 \cap V \subset T_\delta(W)$ for some $\delta \in (0, 1)$, then $B_1 \cap W \subset T_\delta(V)$.

Proof. Let $\Lambda : V \rightarrow W$ be orthogonal projection onto W . Thus, if $v \in V$, then

$$(1.16) \quad |v - \Lambda(v)| = \text{dist}(v, W) \leq \delta |v|,$$

where the inequality used that $B_1 \cap V \subset T_\delta(W)$. It follows that

$$(1.17) \quad |\Lambda(v)|^2 = |v|^2 - |v - \Lambda(v)|^2 \geq (1 - \delta^2) |v|^2.$$

We conclude that the linear map Λ is injective. Since V and W have the same dimension, Λ is also onto. Thus, given any $w \in B_1 \cap W$, there exists $v \in V$ with $\Lambda(v) = w$. Finally, by (1.16), the sine of the angle between v and w is at most δ and, thus, the distance from w to the line through v is at most δ . □

In Example 1.2, the two pairs of points could be separated by working on scales less than one so that only one pair was visible at a time. This is not possible in the next example, where we have arbitrarily close points with approximating planes that are very different. This example will be strong 1-Reifenberg, but not on a uniform scale.

Example 1.18. (As above, the following example is in space; there are similar examples in space-time.) The set consisting of the union of the three sequences $(\epsilon^n, 0, 0)$, $(\epsilon^{2n}, \epsilon^{2n+1}, 0)$, $(\epsilon^{2n+1}, 0, \epsilon^{2n+2})$ satisfies the strong Reifenberg property for $\epsilon > 0$ sufficiently small. This set contains two sequences which converge to the origin inside two planes which are perpendicular to each other.

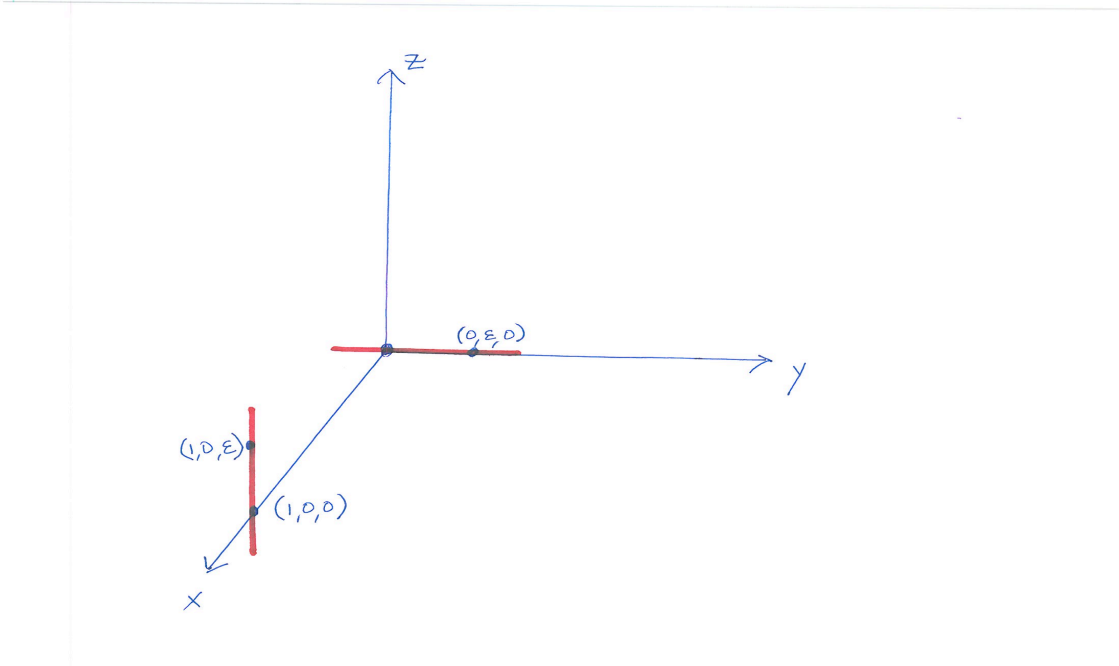


FIGURE 4. The set $\{(0, 0, 0), (1, 0, 0), (0, \epsilon, 0), (1, 0, \epsilon)\}$ satisfies the strong 2-dimensional Reifenberg property but there is no 2-plane where the projection is bi-Lipschitz with constant close to one.

In the applications that we have in mind, we will not be able to appeal to Lemma 1.3. However, the distribution $\{V_{y,t}\}$ of k -planes in our applications will have an additional regularity property which, as we will see, implies regularity of the set S . Roughly speaking, this property is equi-continuity of the distribution $\{V_{y,t}\}$:

Suppose we have a distribution of k -dimensional planes $\{V_{y,t}\}$ with $V_{y,t} \subset \mathbf{R}^{n+1} \times \{t\}$ labeled by a subset $S \subset \mathbf{R}^{n+1} \times \mathbf{R}$ with $(y, t) \in V_{y,t} \cap S$. For some $\delta > 0$ sufficiently small, let $f : (0, 1) \rightarrow (0, \delta)$ be a monotone non-decreasing function with $\lim_{r \rightarrow 0} f(r) = 0$. We will say the distribution $\{V_{y,t}\}$ is f -regular if for all $r > 0$ and all $(y_1, t_1), (y_2, t_2) \in S$

$$(1.19) \quad d_{\mathcal{P}H}(\mathcal{P}B_r(y_1, t_1) \cap V_{y_1, t_1}, \mathcal{P}B_r(y_2, t_2) \cap V_{y_2, t_2}) < f(r)r,$$

for $r = \text{dist}_P((y_1, t_1), (y_2, t_2))$.

Later in our applications to MCF with generic singularities, we will show that not only does the space-time singular set satisfy the strong parabolic (half) vanishing Reifenberg property but the distribution of k -planes will be f -regular.⁷

The next theorem is the main result of this section. The strong Reifenberg property gives a bi-Lipschitz approximation when the approximating planes are close at nearby points. In Lemma 1.3, (1.4) implies this closeness. If the distribution is f -regular, then the closeness is automatic.

Theorem 1.20. If $S \subset \mathbf{R}^{n+1} \times \mathbf{R}$ satisfies the strong parabolic Reifenberg property and the distribution of k -planes is f -regular, then for $(y, t) \in S$ fixed the projection $\pi : S \rightarrow V_{y,t}$ is a bi-Lipschitz map from a neighborhood of (y, t) in S to its image (equivalently, near (y, t) , S is a Lipschitz graph over part of $V_{y,t}$).

Proof. The proof is a slight variation of the proof of Lemma 1.3, where the f -regularity gives the condition (\dagger) there. \square

2. CYLINDRICAL TANGENT FLOWS

In this section, we first recall the Gaussian surface area, the monotonicity formula for MCF and its basic properties. After that, we record a consequence of the uniqueness theorem of [CM2] for cylindrical singularities that will be the key to establishing the strong parabolic Reifenberg property for the singular set. Recall that we will only prove the half Reifenberg, meaning that the set lies in a small tubular neighborhood of a plane but not vice versa.

2.1. Gaussian surface area. The F -functional, or Gaussian surface area, of a hypersurface $\Sigma \subset \mathbf{R}^{n+1}$ is

$$(2.1) \quad F_{x,\tau}(\Sigma) = (4\pi\tau)^{-\frac{n}{2}} \int_{\Sigma} e^{-\frac{|y-x|^2}{4\tau}} dy,$$

where the Gaussian is centered at $x \in \mathbf{R}^{n+1}$ and $\sqrt{\tau} > 0$ is the scale. The entropy λ is the supremum over all Gaussians (i.e., over all centers x_0 and scales $\sqrt{t_0}$)

$$(2.2) \quad \lambda(\Sigma) = \sup_{x_0, t_0} F_{x_0, t_0}(\Sigma).$$

Huisken's monotonicity formula⁸, [H1], for a MCF $M_t \subset \mathbf{R}^{n+1}$ states that $F_{x,\tau}(M_{t-\tau})$ is increasing in τ for every fixed x and t . That is, if $0 < \tau_1 < \tau_2$, then

$$(2.3) \quad F_{x,\tau_1}(M_{t-\tau_1}) \leq F_{x,\tau_2}(M_{t-\tau_2})$$

The monotonicity gives an upper semi-continuous limiting Gaussian density $\Theta_{x,t}$

$$(2.4) \quad \Theta_{x,t} = \lim_{\tau \rightarrow 0^+} F_{x,\tau}(M_{t-\tau}).$$

The limiting density is at least one at each point in the support of the flow and greater than one at each singularity.

By definition, a tangent flow is the limit of a sequence of parabolic dilations at a singularity, where the convergence is on compact subsets. For instance, a tangent flow to M_t at the origin in space-time is the limit of a sequence of rescaled flows $\frac{1}{\delta_i} M_{\delta_i^2 t}$ where $\delta_i \rightarrow 0$. By Huisken's

⁷In fact, one can take $f(r) \approx (\log |\log r|)^{-\alpha}$ ($\alpha > 0$).

⁸Ilmanen and White extended the monotonicity to the case where M_t is a Brakke flow.

monotonicity formula and an argument of Ilmanen and White, [I1], [W4], tangent flows are shrinkers, i.e., self-similar solutions of MCF that evolve by rescaling. A priori, different sequences δ_i could give different tangent flows; the question of uniqueness of the blowup is whether the limit is independent of the sequence. In [CM2] (see also [CM5]) it was proven that tangent flows at cylindrical singularities are unique. That is, any other tangent flow is also a cylinder with the same \mathbf{R}^k factor that points in the same direction.

2.2. Cylindrical singularities. Throughout this subsection, M_t will be a MCF in \mathbf{R}^{n+1} with entropy at most λ_0 . All constants will be allowed to depend on n and λ_0 .

We will let \mathcal{C}_k denote the cylinder of radius $\sqrt{2(n-k)}$

$$(2.5) \quad \mathbf{R}^k \times \frac{\mathbf{S}^{n-k}}{\sqrt{2(n-k)}}$$

and its rotations and translations in space.⁹

It will be useful to have compact notation for spatial rescalings of a set about a fixed point. Namely, given $z \in \mathbf{R}^{n+1}$, $r > 0$ and $\Lambda \subset \mathbf{R}^{n+1}$, let $\Psi_{z,r}(\Lambda)$ be the rescaling of Λ about z by the factor r , i.e.,

$$(2.6) \quad \Psi_{z,r}(\Lambda) = \{r(x-z) + z \mid x \in \Lambda\}.$$

The map $\Psi_{z,r}$ is a rescaling in space only.

We need a notion of what it means for the flow to look like a cylinder near a point. Namely, we will say that M_t is (j, η) -cylindrical at (y, t) on the time-scale τ if for every positive $s \leq \tau$

- $\Psi_{y, \frac{1}{\sqrt{s}}}(B_{\eta^{-1}\sqrt{s}}(y) \cap M_{t-s})$ is a graph over a fixed cylinder in \mathcal{C}_j of a function with C^1 norm at most η .

It is important that the dilates $\Psi_{y, \frac{1}{\sqrt{s}}}(B_{\eta^{-1}\sqrt{s}}(y) \cap M_{t-s})$ are graphs over the same cylinder as the time scale s varies. The constant j here is the dimension of the Euclidean factor of the cylinder. The constant η measures how close the flow is to the cylinder in a scale-invariant way and, as η gets smaller, the flow is closer to a cylinder on a larger set.

We will need the following result from [CM2] which gives that the flow becomes cylindrical near every cylindrical singularity. Roughly speaking, this says that if the flow is a graph over a cylinder just before a cylindrical singularity, then it remains a graph over the same cylinder as one approaches the singularity. Moreover, after rescaling, it is a graph over a larger set and is even closer to the cylinder.

Theorem 2.7. Given $\eta > 0$, there exists $\epsilon > 0$ so that if (x_0, t_0) is a cylindrical singularity in \mathcal{C}_j and

- (C) $\Psi_{x_0, \frac{1}{\sqrt{2\tau}}}(B_{\epsilon^{-1}\sqrt{2\tau}}(x_0) \cap M_{t_0-2\tau})$ is a graph over some cylinder in \mathcal{C}_j of a function with C^1 norm at most ϵ ,

then M_t is (j, η) -cylindrical at (x_0, t_0) on the time-scale τ . Furthermore, for each $\bar{\eta} > 0$, there exists $\bar{\tau} \in (0, \tau)$ so that M_t is $(j, \bar{\eta})$ -cylindrical at (x_0, t_0) on the time-scale $\bar{\tau}$.

Proof. The first claim follows from theorem 0.2 in [CM2]. See footnotes 5 and 6 in [CM2] for the fact that it becomes even more cylindrical (i.e., $(j, \bar{\eta})$ -cylindrical for $\bar{\eta}$ smaller than η) at smaller scales, giving the second claim. \square

⁹This is a different convention than in [CM2] where we used k for the dimension of the spherical factor.

We will also need a version of (j, η) -cylindrical where the same time-scale $\tau > 0$ works uniformly on a subset $S \subset \mathcal{S}$. Namely, M_t is *uniformly (j, η) -cylindrical on S on the time-scale τ* if M_t is (j, η) -cylindrical at each $y \in S$ on the time-scale τ . Thus, the axis of the cylinder may vary with y , but the time-scale τ cannot.

In the next corollary, we will fix j and let S be the subset of \mathcal{S} with singularity in \mathcal{C}_j .

Corollary 2.8. Given $\eta > 0$, j , and $y \in S$, there exists $r_y > 0$ and $\tau_y > 0$ so that

- M_t is uniformly (j, η) -cylindrical on $\mathcal{P}B_{r_y}(y) \cap S$ on the time-scale τ_y .
- For $\bar{\eta} > 0$, there exists $\bar{\tau} > 0$ so that M_t is uniformly $(j, \bar{\eta})$ -cylindrical on $\mathcal{P}B_{r_y}(y) \cap S$ on time-scale $\bar{\tau}$.

Proof. Observe that if (C) holds for $\epsilon/2$ in place of ϵ , then it holds for ϵ at nearby points. The corollary follows from this observation and Theorem 2.7. \square

3. THE SINGULAR SET OF A MCF

Let M_t be a MCF flow in \mathbf{R}^{n+1} with only cylindrical singularities that starts at a closed smooth embedded hypersurface. This means that a tangent flow at any singularity is a multiplicity one shrinking round cylinder $\mathbf{R}^k \times \mathbf{S}^{n-k}$ for some $k < n$. If at least one blowup is cylindrical, then all are by [CIM] and the axis of the cylinder is unique by [CM2].

The singular set \mathcal{S} is a compact subset of space-time $\mathbf{R}^{n+1} \times \mathbf{R}$ and can be stratified into subsets

$$(3.1) \quad \mathcal{S}_0 \subset \mathcal{S}_1 \subset \cdots \subset \mathcal{S}_{n-1} = \mathcal{S}.$$

The set \mathcal{S}_k consists of all singular points where the tangent flow splits off a Euclidean factor of dimension at most k . Thus,

- $y \in \mathcal{S}_0$ if the tangent flow at y is an n -sphere.
- $y \in \mathcal{S}_k \setminus \mathcal{S}_{k-1}$ if the tangent flow at y is in \mathcal{C}_k .

The Gaussian density at a singularity where the tangent flow is in \mathcal{C}_k is equal to $\Theta_k \equiv F_{0,1}(\mathcal{C}_k)$. The Θ_k 's are increasing in k with

$$(3.2) \quad 1 < \Theta_0 < \Theta_1 < \cdots < \Theta_{n-1}.$$

Therefore, each strata $\mathcal{S}_k \setminus \mathcal{S}_{k-1}$ is characterized by the value of the Gaussian density at the singular point. Namely, $(x, t) \in \mathcal{S}_k \setminus \mathcal{S}_{k-1}$ if and only if $\Theta_{x,t}$ is equal to Θ_k . Moreover, by the upper semi-continuity of the Gaussian density and (3.2), $\mathcal{S} \setminus \mathcal{S}_{k-1}$ is compact for each k . For example, in \mathbf{R}^3 , a limit of cylindrical singular points must be cylindrical, while a limit of spherical points must be singular but, a priori, could be either spherical or cylindrical.

We have seen that the top strata $\mathcal{S}_{n-1} \setminus \mathcal{S}_{n-2}$ is compact. The same holds for the lower strata as long as we stay away from the higher strata:

Lemma 3.3. The set $\mathcal{S}_{n-1} \setminus \mathcal{S}_{n-2}$ is compact. Moreover, if $\epsilon > 0$ and $k \in \{0, \dots, n-2\}$, then $(\mathcal{S}_k \setminus \mathcal{S}_{k-1}) \setminus \mathcal{P}T_\epsilon(\mathcal{S} \setminus \mathcal{S}_k)$ is compact (with the convention that $\mathcal{S}_{-1} = \emptyset$).

Proof. This follows immediately since $\mathcal{S} \setminus \mathcal{S}_{k-1}$ is compact for each k . \square

We observe next that the lowest strata \mathcal{S}_0 consists of isolated points.

Lemma 3.4. The set \mathcal{S}_0 is isolated: for each $y \in \mathcal{S}_0$, there is a space-time ball $\mathcal{P}B_{r_y}(y)$ so that $\mathcal{P}B_{r_y}(y) \cap \mathcal{S} = \{y\}$.

Proof. By assumption, a multiplicity-one sphere is collapsing off at y . Thus, by Brakke's regularity theorem, this sphere is itself a connected component of the flow just before the singular time. In particular, the flow *take away this sphere* has F -functional much less than one just before the singularity on the scale of the singularity. Monotonicity gives a space-time neighborhood where the densities (after we take away the sphere) are less than one and, thus, there are no other singularities. \square

One immediate consequence of Lemma 3.4 is that \mathcal{S}_0 is countable. This was proven by White using scaling and monotonicity.

3.1. Cylindrical approximation. Given any $y \in \mathcal{S}_j \setminus \mathcal{S}_{j-1}$, the flow is asymptotic to a shrinking cylinder at y , i.e., it looks like a cylinder in \mathcal{C}_j just before y . Moreover, by [CM2], this limiting cylinder is unique (it has the same axis on each scale).

The main result of this subsection will show that uniformly (j, η) -cylindrical subsets of the singular set satisfy a strong Reifenberg property. The dimension of the approximating planes will be the dimension of the affine space for the cylinders.

Proposition 3.5. Suppose that $S \subset \mathcal{S}$ satisfies

- ($\star\eta$) For each $\eta > 0$, there exists $\tau_\eta > 0$ so that M_t is uniformly (j, η) -cylindrical on S on the time-scale τ_η .

Then:

- (1) S has the strong parabolic j -dimensional vanishing Reifenberg property.
- (2) The associated distribution of j -planes is f -regular for some function f .

Proof. We will show that S has the strong parabolic Reifenberg property, where the constant depends on η and goes to zero as η does. The vanishing claimed in (1) as well as the f -regularity in (2) will then follow from Corollary 2.8 which implies that η goes to zero uniformly as we shrink the scale.

Given a point $y \in S$, let \mathcal{C}_y be the cylinder blowup at y (which is unique by [CM2]) and let V_y be the j -plane through y that is the axis of \mathcal{C}_y . To get the Reifenberg property (1), we will show that for $r < \sqrt{\tau}/2$

$$(3.6) \quad \mathcal{P}B_r(y) \cap S \subset \mathcal{P}T_{\delta r}(V_y),$$

where δ depends on η and goes to zero as η does. We will divide (3.6) into two parts, where we first show it for the projection onto time and then for the projection onto space.

If z is in $(\mathcal{P}B_r(y) \cap S) \setminus \{y\}$, let \mathcal{C}_z and V_z be the corresponding cylinder and j -plane through z , respectively. Without loss of generality, suppose that

$$(3.7) \quad t(y) \leq t(z).$$

As long as $\eta > 0$ is small enough, it follows that the two spatial regions where the flow is cylindrical (one centered at y and one at z) overlap when $t = t(z) - 4r^2$. Thus, the flow is close to two cylinders on the overlap, with the radius of each cylinder given in terms of the time to the singularities at y and z , respectively. The cylindrical structure about z implies that the flow is a graph over a cylinder of radius

$$(3.8) \quad \sqrt{2(n-j)}(2r).$$

On the other hand, the cylindrical structure about y implies that the flow is a graph over a cylinder of radius

$$(3.9) \quad \sqrt{2(n-j)} \sqrt{4r^2 + t(y) - t(z)}.$$

Comparing the two radii (and noting that $t(y) \leq t(z)$), we see that

$$(3.10) \quad (\sqrt{2(n-j)} + \eta) \sqrt{4r^2 + t(y) - t(z)} \geq (\sqrt{2(n-j)} - \eta) (2r).$$

In the limit as $\eta \rightarrow 0$, (3.10) would imply that $t(y) = t(z)$. Given $\gamma > 0$, then we can take η small enough so that (3.10) implies that

$$(3.11) \quad \gamma r^2 \geq |t(y) - t(z)|.$$

This shows that (3.6) holds for the projection onto time.

We now look at the flow at time $\bar{t} \equiv t(y) - \frac{r^2}{4}$. It is convenient to set $\rho^2 = t(z) - \bar{t}$. Note that (3.11) guarantees that this makes sense for γ small enough and, in fact, that

$$(3.12) \quad \left| \rho^2 - \frac{r^2}{4} \right| = |t(z) - t(y)| \leq \gamma r^2.$$

We will choose γ small enough so that this implies that $\rho \in (r/4, 3r/4)$.

Let $\Pi : \mathbf{R}^{n+1} \times \mathbf{R} \rightarrow \mathbf{R}^{n+1}$ be projection from space-time to space. The (j, η) -cylindrical property at y (with $s = \frac{r^2}{4}$) gives that

- $\Psi_{y, \frac{r}{2}} \left(B_{\eta^{-1} \frac{r}{2}}(\Pi(y)) \cap M_{\bar{t}} \right)$ is a graph over \mathcal{C}_y of a function with C^1 norm at most η .

On the other hand, the (j, η) -cylindrical property at z (with $s = \rho^2$) gives

- $\Psi_{z, \frac{\rho}{2}} \left(B_{\eta^{-1} \rho}(\Pi(z)) \cap M_{\bar{t}} \right)$ is a graph over \mathcal{C}_z of a function with C^1 norm at most η .

We will choose $\eta \in (0, 1/4)$ so that $\eta^{-1} - 2 > \eta^{-1}/2$. Thus, since $\Pi(z) \in B_r(\Pi(y))$, we have

$$(3.13) \quad B_{\eta^{-1} \frac{r}{4}}(\Pi(z)) \subset B_{(\eta^{-1}-2) \frac{r}{2}}(\Pi(z)) \subset B_{\eta^{-1} \frac{r}{2}}(\Pi(y)),$$

$$(3.14) \quad B_{\eta^{-1} \frac{r}{4}}(\Pi(z)) \subset B_{\eta^{-1} \rho}(\Pi(z)).$$

In particular, we know that $B_{\eta^{-1} \frac{r}{4}}(\Pi(z)) \cap M_{\bar{t}}$ is a graph over both $\Psi_{z, \rho}(\mathcal{C}_z)$ and $\Psi_{y, \frac{r}{2}}(\mathcal{C}_y)$. (We have now dilated the cylinders instead of $M_{\bar{t}}$.) As a consequence, we have

$$(3.15) \quad B_{\eta^{-1} \frac{r}{4}}(\Pi(z)) \cap \Psi_{z, \rho}(\mathcal{C}_z) \subset T_{\eta(\rho + \frac{r}{2})}(\Psi_{y, \frac{r}{2}}(\mathcal{C}_y)).$$

As long as $\eta > 0$ is small enough (depending on δ), it follows that $\Pi(z)$ lies in the (δr) -tubular neighborhood of V_y . This completes the proof of the strong parabolic Reifenberg property. This also shows that the j -planes V_y and V_z must be close and, in fact, the distance between them goes to zero uniformly as the distance from y to z goes to zero; this shows the f -regularity. \square

3.2. The strata are cylindrical. The following proposition shows that the top strata $\mathcal{S}_{n-1} \setminus \mathcal{S}_{n-2}$ is always $(n-1, \eta)$ -cylindrical on some time-scale $\tau > 0$, with a similar statement for the lower strata.

Proposition 3.16. We have:

- Given $\eta > 0$, there exists $\tau > 0$ (depending also on the flow M_t) so that M_t is $(n-1, \eta)$ -cylindrical on $\mathcal{S}_{n-1} \setminus \mathcal{S}_{n-2}$ on the time-scale τ .

- Given $\eta > 0$, j , and $\epsilon > 0$, there exists $\tau > 0$ (depending also on the flow M_t) so that M_t is (j, η) -cylindrical on $(\mathcal{S}_j \setminus \mathcal{S}_{j-1}) \setminus \mathcal{PT}_\epsilon(\mathcal{S} \setminus \mathcal{S}_j)$ on the time-scale τ .

Proof. Let $\epsilon > 0$ (depending on η) be given by Corollary 2.8.

Given any point $(x_0, t_0) \in \mathcal{S}_{n-1} \setminus \mathcal{S}_{n-2}$, there must exist some $\tau_0 > 0$ so that

$$(3.17) \quad F_{x_0, t_0 + 2\tau_0}(M_{t_0 + 2\tau_0}) \leq \Theta_{x_0, t_0} + \frac{\epsilon}{2}.$$

In particular, Corollary 2.8 gives $r_0 > 0$ so that each point in

$$(3.18) \quad \mathcal{PB}_{r_0}(x_0, t_0) \cap \mathcal{S}_{n-1} \setminus \mathcal{S}_{n-2}$$

is $(n-1, \eta)$ -cylindrical at time-scale τ_0 .

Since the set $\mathcal{S}_{n-1} \setminus \mathcal{S}_{n-2}$ is compact by Lemma 3.3, it follows that it can be covered by a finite collection of balls $\mathcal{PB}_{r_i}(x_i, t_i)$ where $\mathcal{S}_{n-1} \setminus \mathcal{S}_{n-2}$ is $(n-1, \eta)$ -cylindrical on time-scale $\tau_i > 0$. The first claim follows with $\tau = \min_i \tau_i$.

The second claim follows similarly. \square

We conclude that $\mathcal{S}_{n-1} \setminus \mathcal{S}_{n-2}$ has a strong Reifenberg property, with a similar statement for the lower strata:

Corollary 3.19. (1) and (2) in Proposition 3.5 hold for both

- $S = \mathcal{S}_{n-1} \setminus \mathcal{S}_{n-2}$ with $j = (n-1)$.
- $S = (\mathcal{S}_k \setminus \mathcal{S}_{k-1}) \setminus \mathcal{PT}_\epsilon(\mathcal{S} \setminus \mathcal{S}_k)$ for each $\epsilon > 0$ with $j = k$.

Proof. This follows by combining Proposition 3.16 (which gives that the sets are cylindrical) and Proposition 3.5 (which gives that (1) and (2) hold for cylindrical sets). \square

3.3. The structure of the singular set. The next theorem records the properties of the singular set \mathcal{S} in detail.

Theorem 3.20. Let $M_t \subset \mathbf{R}^{n+1}$ be a MCF with only cylindrical singularities starting at a closed smooth embedded hypersurface. The top strata $\mathcal{S}_{n-1} \setminus \mathcal{S}_{n-2}$ satisfies:

- It is contained in finitely many $(n-1)$ -dimensional Lipschitz submanifolds and, thus, has finite \mathcal{PH}_{n-1} measure.
- It has the strong parabolic $(n-1)$ -dimensional vanishing Reifenberg property.
- It is locally the graph of a 2-Hölder function on space.

Moreover, \mathcal{S}_{n-2} has dimension at most $n-2$ and, for each $k \leq n-2$, the set $\mathcal{S}_k \setminus \mathcal{S}_{k-1}$ can be written as the countable union $\cup_{i=1}^{\infty} S_{k,i}$ where each $S_{k,i}$ satisfies:

- $S_{k,i}$ is contained in finitely many k -dimensional Lipschitz submanifolds.
- $S_{k,i}$ has the strong parabolic k -dimensional vanishing Reifenberg property.
- $S_{k,i}$ is locally the graph of a 2-Hölder function on space.

Proof. By Corollary 3.19, the properties (1) and (2) in Proposition 3.5 hold for $\mathcal{S}_{n-1} \setminus \mathcal{S}_{n-2}$ and $j = (n-1)$. This gives the second claim for $\mathcal{S}_{n-1} \setminus \mathcal{S}_{n-2}$. The first and third claims then follow from Theorem 1.20.

The properties of the lower strata follow similarly by applying the second claim in Corollary 3.19 with $\epsilon = 2^{-i}$ and letting $i \rightarrow \infty$. \square

Theorem 3.20 proves a strong form of rectifiability of the top strata and countable rectifiability for each of the lower strata (at no point does one need to disregard a set of measure zero as is usually done in the definition of rectifiability).

Proof of Theorem 0.1. This follows from Theorem 3.20. \square

3.4. Proof of Theorem 0.3. The k -dimensional *parabolic Hausdorff measure* \mathcal{PH}_k of a set $S \subset \mathbf{R}^{n+1} \times \mathbf{R}$ is the k -dimensional Hausdorff measure with respect to the parabolic metric. When S is contained in a time-slice, this agrees with the usual k -dimensional Hausdorff measure. In contrast, the time axis has parabolic Hausdorff dimension two.

The next elementary lemma relates the parabolic Hausdorff measure (as a subset of space-time) of a graph of a 2-Hölder function to the Euclidean Hausdorff measure of its projection to space.

Lemma 3.21. Suppose that $\Omega \subset \mathbf{R}^{n+1}$ and $u : \Omega \rightarrow \mathbf{R}$ is 2-Hölder continuous. Then for every k , there exists a constant C depending on k and the Hölder constant so that

$$(3.22) \quad \mathcal{H}_k(\Omega) \leq \mathcal{PH}_k(\text{Graph}_u) \leq C \mathcal{H}_k(\Omega).$$

Proof. Since u is 2-Hölder, the map $x \rightarrow (x, u(x))$ is Lipschitz with respect to the Euclidean distance on the domain and parabolic distance in the target. The claim now follows. \square

We will say that a function u on $\Omega \subset \mathbf{R}^{n+1}$ is *2-Hölder with vanishing constant* if there is a continuous increasing function $\gamma : [0, \infty) \rightarrow [0, \infty)$ with $\gamma(0) = 0$ so that

$$(3.23) \quad |u(x) - u(y)| \leq \gamma(\epsilon) |x - y|^2 \text{ if } x, y \in \Omega \text{ and } |x - y| \leq \epsilon.$$

In particular, the graph functions in Theorem 3.20 are automatically 2-Hölder with vanishing constant because the graphs satisfy the vanishing Reifenberg property.

The next lemma gives a condition which ensures that a graph is contained in a time-slice, in contrast to the example in Figure 1.

Lemma 3.24. If $S \subset \mathbf{R}^{n+1} \times \mathbf{R}$ is the graph of a 2-Hölder function u with vanishing constant on a subset $\Omega \subset \mathbf{R}^{n+1}$ with $\mathcal{H}_2(\Omega) < \infty$, then:

- $\mathcal{H}_1(t(S)) = 0$,
- if S is connected, then it is contained in a time-slice.

Proof. Given $\epsilon > 0$, we can cover Ω by balls $B_{r_i}(x_i)$ with $0 < r_i \leq \epsilon$, $x_i \in \Omega$, and

$$(3.25) \quad \sum_i r_i^2 \leq \mathcal{H}_2(\Omega) + \epsilon.$$

Moreover, $|u(y) - u(x_i)| \leq \gamma(\epsilon) r_i^2$ for all $y \in B_{r_i}(x_i) \cap \Omega$ and, hence,

$$(3.26) \quad \mathcal{H}_1(t(S)) \leq \sum_i \gamma(\epsilon) r_i^2 \leq \gamma(\epsilon) (\mathcal{H}_2(\Omega) + \epsilon).$$

Letting $\epsilon \rightarrow 0$ gives the first claim. The second claim follows from the first since $t(S)$ is connected if S is. \square

The same argument gives that if $S \subset \mathbf{R}^{n+1} \times \mathbf{R}$ is a 2-Hölder graph with vanishing constant and $\mathcal{PH}_1(S) < \infty$, then $\mathcal{PH}_1(t(S)) = \mathcal{H}_{\frac{1}{2}}(t(S)) = 0$.

Proof of Theorem 0.3. (A) follows from Theorem 3.20.

To see (B), let $S_{k,i}$ be as in Theorem 3.20. Each intersection $S \cap S_{k,i}$ has finite \mathcal{PH}_2 measure and is a 2-Hölder graph with vanishing constant. Therefore, by Lemma 3.24,

$$(3.27) \quad \mathcal{H}_1(t(S \cap S_{k,i})) = 0 \text{ for each } k \text{ and } i.$$

Similarly, we have that $\mathcal{H}_1(t(S \setminus \mathcal{S}_{n-2})) = 0$. Since $S \subset (\mathcal{S} \setminus \mathcal{S}_{n-2}) \cup_{k,i} S_{k,i}$ where the union is taken over countably many sets, it follows that $\mathcal{H}_1(t(S)) = 0$. Furthermore, if S is also connected, then so is $t(S)$ and S must be contained in a time-slice. \square

Proof of Corollary 0.6. By Theorem 3.20, the singular set \mathcal{S} has finite \mathcal{PH}_2 measure when $n = 2$ or $n = 3$. The corollary now follows from the second part of Theorem 0.3. \square

4. LOCAL CONE PROPERTY

The results of the rest of the paper are not used in the proofs of any of the results stated in the introduction.

The proof of the rectifiability theorem (Theorem 0.1) very strongly used the uniqueness of tangent flows. In this section, we will give weaker criteria that are sufficient for Theorem 0.3 and do not require the full strength of uniqueness. Moreover, these criteria are well-suited for other parabolic problems where uniqueness is not known.

We begin by introducing a scaling condition for subsets of space-time that is natural in parabolic problems such as the heat equation or MCF. This automatically holds for the singular set of a MCF with cylindrical singularities, but is more general. Moreover, it immediately implies that nearby singularities happen at essentially the same time, as in the examples of shrinking cylinders and tori of revolution. This condition has two equivalent forms: The forward and backward parabolic cone properties.

4.1. The parabolic cone property. One way of characterizing a Euclidean cone is that it is invariant under scaling $x \rightarrow \lambda x$. In parabolic problems, like the heat equation or MCF, the natural scalings of space-time $\mathbf{R}^{n+1} \times \mathbf{R}$ are parabolic dilations about the origin

$$(4.1) \quad (x, t) \rightarrow (\lambda x, \lambda^2 t).$$

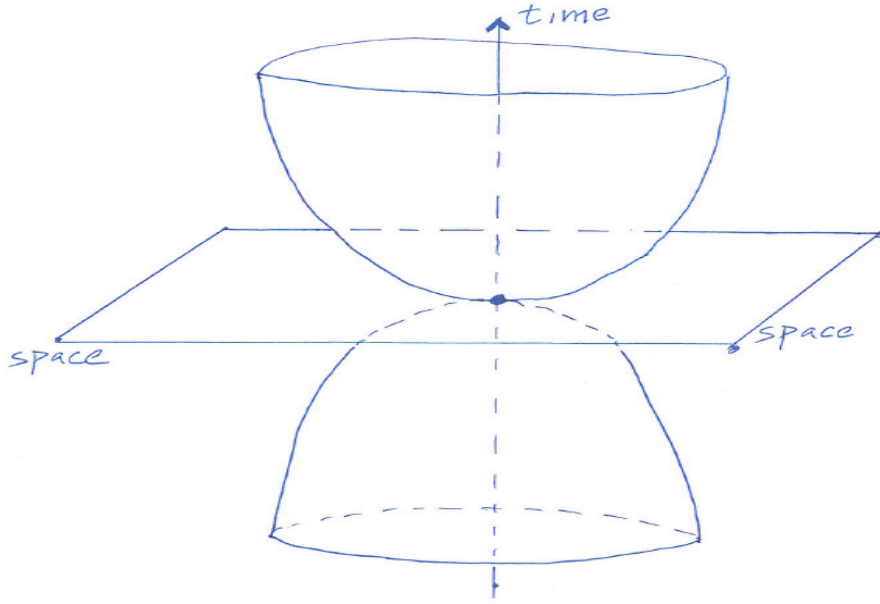
A parabolic cone is a subset of space-time that is invariant under parabolic dilations (or under parabolic dilations about another point). For example, the set $\{|x|^2 = |t|\}$ is a parabolic double cone; it is a double paraboloid with the two paraboloids tangent to each other.

To define the parabolic cones that we will use here, given a point $y \in \mathbf{R}^{n+1} \times \mathbf{R}$, let $\Pi(y)$ be the projection to \mathbf{R}^{n+1} and $t(y)$ the projection onto the time axis. Let $\mathbf{C}_\gamma(z) \subset \mathbf{R}^{n+1} \times \mathbf{R}$ be the parabolic cone centered at $z \in \mathbf{R}^{n+1} \times \mathbf{R}$ defined by (see Figure 5)

$$(4.2) \quad \mathbf{C}_\gamma(z) = \{y \in \mathbf{R}^{n+1} \times \mathbf{R} \mid \gamma |\Pi(y) - \Pi(z)|^2 \geq |t(y) - t(z)|\}.$$

Thus $\mathbf{C}_\gamma(z)$ is the region between two tangent paraboloids and the constant γ measures the “angle of the parabolic cone”. As γ goes to 0, the region collapses to a time-slice.

A set satisfies the parabolic cone property at a point if it sits between these two tangent paraboloids that make up the parabolic cone. We say that a set S has the γ -local parabolic

FIGURE 5. The parabolic cone $C_\gamma(0)$.

cone property¹⁰ if there exists $r_0 > 0$ so that

$$(4.3) \quad \mathcal{P}B_{r_0}(z) \cap S \subset \mathbf{C}_\gamma(z) \text{ for all } z \in S;$$

see Figure 6. We say that S has the *vanishing local parabolic cone property* if $\gamma = \gamma(r_0) \rightarrow 0$ as $r_0 \rightarrow 0$.

We observe next that if a set satisfies a half-cone property, then it automatically satisfies the full-cone property (we state this for the forward half-cone; the same is true for the backward half-cone); see Figure 7.

Lemma 4.4. If there exists $r_0 > 0$ so that

$$(4.5) \quad \mathcal{P}B_{r_0}(z) \cap S \cap \{y \mid t(y) > t(z)\} \subset \mathbf{C}_\gamma(z) \text{ for all } z \in S,$$

then S has the γ -local parabolic cone property.

Proof. Suppose that y and z are points in S with $t(y) \neq t(z)$. We must show that

$$(4.6) \quad \gamma |\Pi(y) - \Pi(z)|^2 \geq |t(y) - t(z)|.$$

If $t(y) > t(z)$, then this follows from (4.5) at z . If $t(y) < t(z)$, then (4.6) follows from (4.5) at y . □

The next proposition shows that a set satisfying the parabolic cone property is a 2-Hölder graph $(x, u(x))$ where x is in space and $t = u(x)$.

¹⁰Cf. lemma I.1.2 in [CM3] and section III.2 in [CM4].

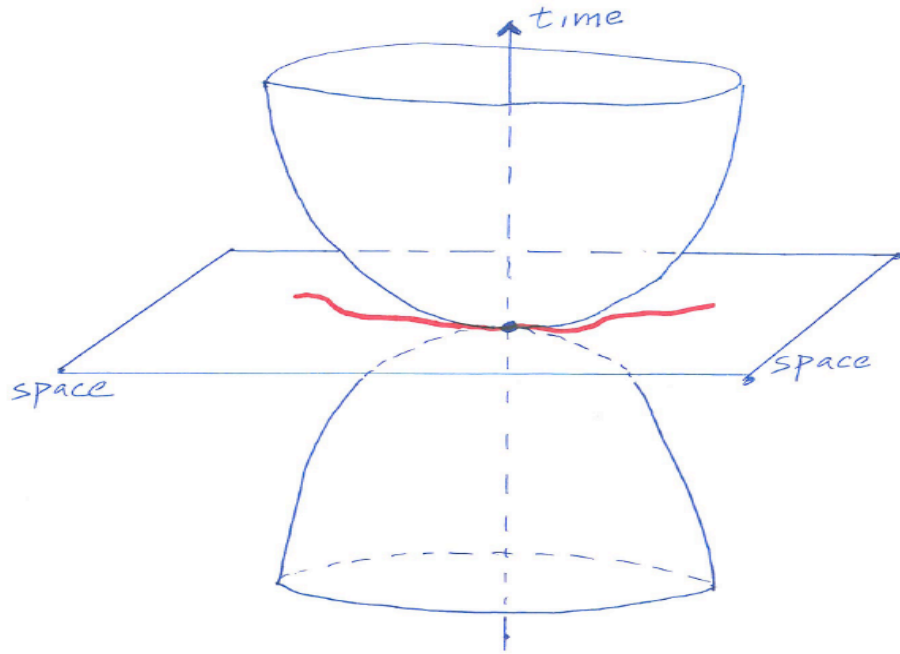


FIGURE 6. The red set lies in the parabolic cone $C_\gamma(0)$.

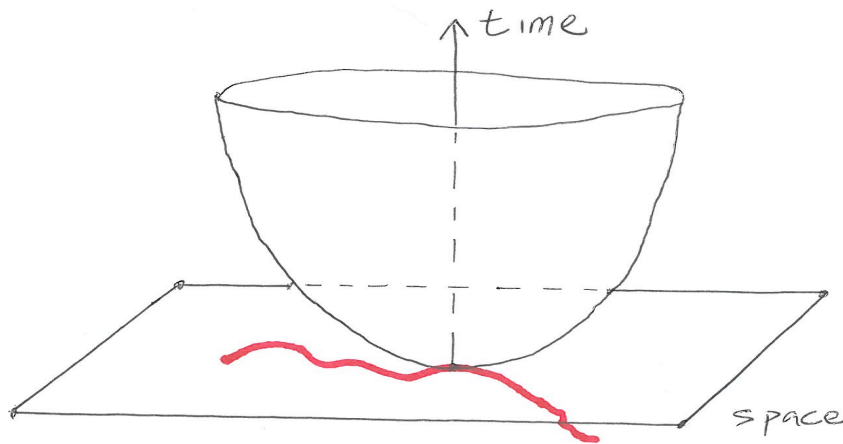


FIGURE 7. The red set lies in the forward parabolic cone.

Proposition 4.7. If $S \subset \mathbf{R}^{n+1} \times \mathbf{R}$ has the γ -local parabolic cone property, then S is locally the graph¹¹ of a 2-Hölder regular function u with Hölder constant γ

$$(4.8) \quad S = \{(x, u(x)) \mid x \in \Omega \subset \{t = 0\}\} = \text{Graph}_u.$$

¹¹The function u may be multi-valued, but the projection from S to $\{t = 0\}$ is a finite-to-one covering map.

Proof. Fix a parabolic ball where the parabolic cone property holds; we will show that S is a graph in this ball. From now on, we will work only inside this ball.

Given y and z in S (inside this ball), the local parabolic cone property gives

$$(4.9) \quad \gamma |\Pi(y) - \Pi(z)|^2 \geq |t(y) - t(z)|.$$

It follows immediately that the projection $\Pi : S \rightarrow \{t = 0\}$ is one to one and, thus, that S is a graph of a function u defined by

$$(4.10) \quad u(\Pi(z)) = t(z).$$

over a subset $\Omega = \Pi(S) \subset \{t = 0\}$. The 2-Hölder bound follows from (4.9). \square

The next corollary gives a condition which ensures that a set is contained in a time-slice.

Corollary 4.11. If $S \subset \mathbf{R}^{n+1} \times \mathbf{R}$ has the vanishing parabolic cone property and $\mathcal{PH}_2(S) < \infty$, then:

- $\mathcal{H}_1(t(S)) = 0$,
- if S is connected, then it is contained in a time-slice.

Proof. By Proposition 4.7 and Lemma 3.21, S is locally the graph of a 2-Hölder regular function u on some domain Ω in space with finite \mathcal{H}_2 measure. The vanishing parabolic cone property implies that u is 2-Hölder with vanishing constant. The corollary now follows from Lemma 3.24. \square

The same argument gives that if $S \subset \mathbf{R}^{n+1} \times \mathbf{R}$ has the vanishing parabolic cone property and $\mathcal{PH}_1(S) < \infty$, then $\mathcal{PH}_1(t(S)) = \mathcal{H}_1(t(S)) = 0$.

5. RAPID CLEARING OUT

In this section, we show that the entire flow is rapidly clearing out *after* a cylindrical singularity; this will not be used elsewhere.

Theorem 5.1. There exist constants $T, \omega > 1$ so that if M_t is (j, η) -cylindrical at (x_0, t_0) on the time-scale $\tau > 0$ for some $\eta < 1$, then for $s \in (0, \tau)$

$$(5.2) \quad B_{\eta^{-1} \frac{\sqrt{s}}{2}}(x_0) \cap M_t = \emptyset \text{ for } t \in \left(t_0 + (T - 1)s, t_0 + \left(\frac{\eta^{-2} - 4\omega^2}{4\omega^2} \right) s \right).$$

Note that the proposition only has content when η is small enough that $T \leq \frac{\eta^{-2}}{4\omega^2}$.

The key for the theorem is a local estimate for the Gaussian areas. Since the cylinder has sub-Euclidean volume growth, its Gaussian surface area $F_{x,t}$ is small when t is large. The next lemma observes that this is true for any hypersurface Σ close to a cylinder.

Lemma 5.3. There exist $T > 1$ and $\omega > 1$ so that if $\lambda(\Sigma) \leq \lambda_0$ and

- $B_{\eta^{-1}} \cap \Sigma$ is a C^1 graph over a cylinder $\mathcal{C} \in \mathcal{C}_j$ with norm at most one,
- then $F_{x,t}(\Sigma) \leq \frac{1}{2}$ as long as $t \geq T$ and $|x| + \omega\sqrt{t} \leq \eta^{-1}$.

Proof. This follows from the sub-Euclidean volume growth of the cylinders. Namely, there exists a constant c_n depending only on n so that

$$(5.4) \quad \sup \left\{ \text{Vol}(B_R(x) \cap \Sigma) \mid |x| + R \leq \eta^{-1} \text{ and } R \geq 1 \right\} \leq c_n R^{n-1}.$$

Suppose that $t \geq T > 1$, $x \in \mathbf{R}^{n+1}$ and $\omega > 1$ satisfy $|x| + \omega\sqrt{t} \leq \eta^{-1}$. We have

$$(5.5) \quad F_{x,t}(\Sigma) \leq (4\pi t)^{-\frac{n}{2}} \text{Vol}(B_{\omega\sqrt{t}}(x) \cap \Sigma) + (4\pi t)^{-\frac{n}{2}} \int_{\Sigma \setminus B_{\omega\sqrt{t}}(x)} e^{-\frac{|y-x|^2}{4t}} dy.$$

Since $|x| + \omega\sqrt{t} \leq \eta^{-1}$, we can use (5.4) to estimate the first term by

$$(5.6) \quad (4\pi t)^{-\frac{n}{2}} \text{Vol}(B_{\omega\sqrt{t}}(x) \cap \Sigma) \leq (4\pi t)^{-\frac{n}{2}} c_n \omega^{n-1} t^{\frac{n-1}{2}} \leq c_n \omega^{n-1} (4\pi)^{-\frac{n}{2}} T^{-\frac{1}{2}}.$$

For the second term, we have

$$(5.7) \quad \begin{aligned} \int_{\Sigma \setminus B_{\omega\sqrt{t}}(x)} e^{-\frac{|y-x|^2}{4t}} dy &= \sum_{k=1}^{\infty} \int_{B_{(k+1)\omega\sqrt{t}}(x) \cap \Sigma \setminus B_{k\omega\sqrt{t}}(x)} e^{-\frac{|y-x|^2}{4t}} dy \\ &\leq \sum_{k=1}^{\infty} \text{Vol}(B_{(k+1)\omega\sqrt{t}}(x) \cap \Sigma) e^{-\frac{\omega^2 k^2}{4}} \leq C \lambda_0 t^{\frac{n}{2}} \omega^n \sum_{k=1}^{\infty} (k+1)^n e^{-\frac{\omega^2 k^2}{4}}, \end{aligned}$$

where C depends on n . Thus, we can take ω large enough so that

$$(5.8) \quad (4\pi t)^{-\frac{n}{2}} \int_{\Sigma \setminus B_{\omega\sqrt{t}}(x)} e^{-\frac{|y-x|^2}{4t}} dy \leq \frac{1}{4},$$

and this same ω works independently of $t \geq 1$. Finally, now that we have chosen ω , we choose T large enough to make (5.6) at most $\frac{1}{4}$. \square

The argument in the proof of Lemma 5.3 works more generally for sub-Euclidean volume growth. It does not work when the volume growth is Euclidean.

Proof of Theorem 5.1. To simplify notation, translate in space-time so that $x_0 = 0$ and $t_0 = 0$.

Let T and ω be given by Lemma 5.3. For each $s \in (0, \tau)$, we have that $B_{\eta^{-1}} \cap \Psi_{0, \frac{1}{\sqrt{s}}}(M_{-s})$ is a graph over a fixed cylinder in \mathcal{C}_j of a function with C^1 norm at most η . In particular, since $\lambda(M_t) \leq \lambda_0$, Lemma 5.3 gives that

$$(5.9) \quad \sup \left\{ F_{x,t}(\Psi_{0, \frac{1}{\sqrt{s}}}(M_{-s})) \mid t \geq T \text{ and } |x| + \omega\sqrt{t} \leq \eta^{-1} \right\} \leq \frac{1}{2}.$$

Restating this in terms of M_s , we get for $s \in (\tau, 0)$ and $|x| \leq \frac{1}{2} \eta^{-1} \sqrt{s}$ that

$$(5.10) \quad F_{x,t}(M_{-s}) \leq \frac{1}{2} \text{ if } Ts \leq t \leq \frac{s}{4\eta^2 \omega^2}.$$

Combining this with the monotonicity (2.3) gives

$$(5.11) \quad \Theta_{x,t-s} \leq \frac{1}{2} \text{ for } Ts \leq t \leq \frac{s}{4\eta^2 \omega^2}.$$

The proposition follows since $\Theta_{x,t} \geq 1$ for x in the support of M_t . \square

REFERENCES

- [AAG] S. Altschuler, S.B. Angenent, and Y. Giga, *Mean curvature flow through singularities for surfaces of rotation*, Journal of geometric analysis, Volume 5, Number 3, (1995) 293–358.
- [Al] F. J. Almgren, Jr., *Q-valued functions minimizing dirichlet's integral and the regularity of area minimizing rectifiable currents up to codimension two*, preprint.
- [An] B. Andrews, *Noncollapsing in mean-convex mean curvature flow*. Geom. Topol. 16 (2012), no. 3, 1413–1418.
- [Ba] R. Bamler, *Long-time behavior of 3 dimensional Ricci flow – Introduction*, preprint.
- [BeWa] J. Bernstein and L. Wang, *A Remark on a Uniqueness Property of High Multiplicity Tangent Flows in Dimension Three*, preprint, <http://arxiv.org/abs/1402.6687>.
- [B] K. Brakke, *The motion of a surface by its mean curvature*. Mathematical Notes, 20. Princeton University Press, Princeton, N.J., 1978.
- [ChCT] J. Cheeger, T.H. Colding, and G. Tian, *Constraints on singularities under Ricci curvature bounds*. C. R. Acad. Sci. Paris Sér. I Math. 324 (1997), no. 6, 645–649.
- [CGG] Y. G. Chen, Y. Giga, and S. Goto, *Uniqueness and existence of viscosity solutions of generalized mean curvature flow equations*, J. Diff. Geom., 33 (1991), 749–786.
- [CIM] T.H. Colding, T. Ilmanen and W.P. Minicozzi II, *Rigidity of generic singularities of mean curvature flow*, Public. IHES, DOI 10.1007/s10240-015-0071-3, arXiv:1304.6356.
- [CK] T.H. Colding and B. Kleiner, *Singularity structure in mean curvature flow of mean-convex sets*. Electron. Res. Announc. Amer. Math. Soc. 9 (2003), 121–124.
- [CM1] T.H. Colding and W.P. Minicozzi II, *Generic mean curvature flow I; generic singularities*, Annals of Math., 175 (2012), Issue 2, 755–833.
- [CM2] ———, *Uniqueness of blowups and Lojasiewicz inequalities*, Annals of Math., to appear, arXiv:1312.4046.
- [CM3] ———, *The space of embedded minimal surfaces of fixed genus in a 3-manifold. IV. Locally simply connected*. Annals of Math. (2) 160 (2004), no. 2, 573–615.
- [CM4] ———, *The space of embedded minimal surfaces of fixed genus in a 3-manifold. V. Finite genus*, Annals of Math., 181 (2015), 1–153.
- [CM5] ———, *Lojasiewicz inequalities and applications*, Surveys in Differential Geometry XIX, International Press, to appear, arXiv:1402.5087.
- [CM6] ———, *Differentiability of the arrival time*, preprint, arXiv:1501.07899.
- [CMP] T.H. Colding, W.P. Minicozzi II and E.K. Pedersen, *Mean curvature flow*, Bulletin of the AMS, 52 (2015), no. 2, 297–333.
- [DKT] G. David, C. Kenig, and T. Toro, *Asymptotically optimally doubling measures and Reifenberg flat sets with vanishing constant*, Comm. Pure Appl. Math. 54 (2001), no. 4, 385–449.
- [D] C. De Lellis, *Rectifiable sets, densities and tangent measures*. Zurich Lectures in Advanced Mathematics. European Mathematical Society (EMS), Zürich, 2008.
- [E] K. Ecker, *Regularity theory for mean curvature flow*. Progress in Nonlinear Differential Equations and their Applications, 57. Birkhäuser Boston, Inc., Boston, MA, 2004.
- [ES] L. C. Evans and J. Spruck, *Motion of level sets by mean curvature I*, J. Diff. Geom., 33 (1991), no. 3, 635–681; II, Trans. Amer. Math. Soc., 330 (1992), no. 1, 321–332; III, J. Geom. Anal., 2 (1992), no. 2, 121–150; IV, J. Geom. Anal., 5 (1995), no. 1, 77–114.
- [F1] H. Federer, *Geometric measure theory*. Die Grundlehren der mathematischen Wissenschaften, Band 153 Springer-Verlag New York Inc., New York 1969.
- [F2] ———, *The singular sets of area minimizing rectifiable currents with codimension one and of area minimizing flat chains modulo two with arbitrary codimension*. Bull. Amer. Math. Soc. 76 (1970) 767–771.
- [HaK] R. Haslhofer and B. Kleiner, *Mean curvature flow of mean convex hypersurfaces*, preprint, <http://arxiv.org/abs/1304.0926>.
- [HoW] G. Hong and L. Wang, *A geometric approach to the topological disk theorem of Reifenberg*, Pacific J. Math. 233 (2007), no. 2, 321–339.

- [H1] G. Huisken, *Asymptotic behavior for singularities of the mean curvature flow*. J. Differential Geom. 31 (1990), no. 1, 285–299.
- [H2] ———, *Local and global behaviour of hypersurfaces moving by mean curvature*. Differential geometry: partial differential equations on manifolds (Los Angeles, CA, 1990), 175–191, Proc. Sympos. Pure Math., 54, Part 1, Amer. Math. Soc., Providence, RI, 1993.
- [HS1] G. Huisken and C. Sinestrari, *Convexity estimates for mean curvature flow and singularities of mean convex surfaces*, Acta Math. 183 (1999) no. 1, 45–70.
- [HS2] ———, *Mean curvature flow singularities for mean convex surfaces*, Calc. Var. Partial Differ. Equ. 8 (1999), 1–14.
- [HS3] ———, *Mean curvature flow with surgeries of two-convex hypersurfaces*. Invent. Math. 175 (2009), no. 1, 137–221.
- [I1] T. Ilmanen, *Singularities of Mean Curvature Flow of Surfaces*, preprint, 1995, <http://www.math.ethz.ch/~papers/pub.html>.
- [I2] ———, *Elliptic regularization and partial regularity for motion by mean curvature*, Memoirs Amer. Math. Soc. 520 (1994).
- [LjT] J. Li and G. Tian, *The blow-up locus of heat flows for harmonic maps*. Acta Math. Sin. (Engl. Ser.) 16 (2000), no. 1, 29–62.
- [LW] F.-H. Lin and C.-Y. Wang, *Harmonic and quasi-harmonic spheres. III. Rectifiability of the parabolic defect measure and generalized varifold flows*. Ann. Inst. H. Poincaré Anal. Non Linéaire 19 (2002), no. 2, 209–259.
- [LY] F.-H. Lin and X. Yang, *Geometric measure theory – an introduction*. Advanced Mathematics (Beijing/Boston), 1. Science Press Beijing, Beijing; International Press, Boston, MA, 2002.
- [OS] S. Osher and J. Sethian, *Fronts propagating with curvature-dependent speed: algorithms based on Hamilton-Jacobi formulations*, J. Comput. Phys., 79 (1988), 12–49.
- [P] D. Preiss, *Geometry of measures in \mathbf{R}^n : distribution, rectifiability, and densities*. Ann. of Math. (2) 125 (1987), no. 3, 537–643.
- [PTT] D. Preiss, X. Tolsa and T. Toro, *On the smoothness of Hölder-doubling measures*, Calculus of Variations and PDE 35 (2009), 339–363.
- [R] E.R. Reifenberg, *Solution of the Plateau Problem for m -dimensional surfaces of varying topological type*. Acta Math. 104 (1960), 1–92.
- [S1] L. Simon, *Rectifiability of the Singular Sets of Multiplicity 1 Minimal Surfaces and Energy Minimizing Maps*, Surveys in Diff. Geom. 2 (1995), 246–305.
- [S2] ———, *Rectifiability of the singular set of energy minimizing maps*, Cal. of Var. and PDE's, (1995), Volume 3, Issue 1, 1–65.
- [SrSs] H. Soner and P. Souganidis, *Singularities and uniqueness of cylindrically symmetric surfaces moving by mean curvature*. Comm. Partial Differential Equations 18 (1993), no. 5-6, 859–894.
- [T] T. Toro, *Doubling and Flatness: Geometry of Measures*, Notices of the AMS, 44, 1997, 1087–1094.
- [W1] B. White, *The nature of singularities in mean curvature flow of mean-convex sets*. J. Amer. Math. Soc. 16 (2003), no. 1, 123–138.
- [W2] ———, *The size of the singular set in mean curvature flow of mean-convex sets*, J. Amer. Math. Soc. 13 (2000), 665–695.
- [W3] ———, *Evolution of curves and surfaces by mean curvature*. Proceedings of the International Congress of Mathematicians, Vol. I (Beijing, 2002), 525–538.
- [W4] ———, *Partial regularity of mean-convex hypersurfaces flowing by mean curvature*, Int. Math. Res. Notices (1994) 185–192.
- [W5] ———, *Stratification of minimal surfaces, mean curvature flows, and harmonic maps*, J. Reine Angew. Math. 488 (1997), 1–35.
- [W6] ———, *Subsequent singularities in mean-convex mean curvature flow*, arXiv:1103.1469, 2011.

MIT, DEPT. OF MATH., 77 MASSACHUSETTS AVENUE, CAMBRIDGE, MA 02139-4307.

E-mail address: `colding@math.mit.edu` and `minicozz@math.mit.edu`