

An assembly line for the construction of ultra-radio-pure detectors

A. Buccheri ^a, M. Capodiferro ^a, S. Morganti ^a, F. Orio ^a, A. Pelosi ^a, V. Pettinacci ^{a,b}

^a INFN Sezione di Roma, Rome, Italy

^b Department of Physics and Astronomy, University of South Carolina, Columbia, USA

Abstract

The 19 towers constituting the CUORE detector are an assembly of ultra-radio-pure components made of copper and PTFE plus tellurium dioxide crystals for a total of more than 10,000 pieces. A dedicated assembly line is mandatory to handle and assembly those parts minimizing the risk of recontaminations induced by external agents both during their construction and their storage prior to installation inside the cryostat. The assembly strategy and the tools design, proposed in this paper and developed for CUORE, offer solutions that can be extended to the construction of similar-size detector with strict requirements on contamination.

Keywords: Detector construction, CUORE, Neutrinoless double beta decay

1. Introduction

CUORE (Cryogenic Underground Observatory for Rare Events) is an upcoming cryogenic experiment, assembled and to be installed at the LNGS (Laboratori Nazionali del Gran Sasso) underground facility, aiming at the observation of the neutrino-less double beta decay ($\beta\beta_{0\nu}$) [1],

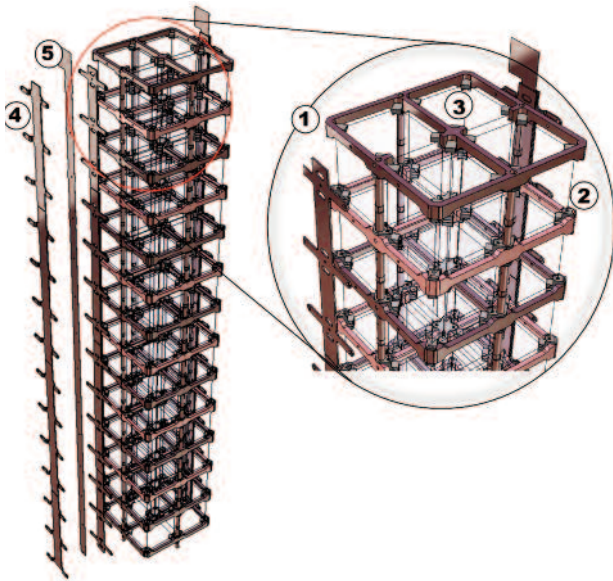


Figure 1: The CAD model shows the main components the tower modular structure is made of: copper frames (1), corner, central and side PTFE holders (2), crystals (3) wire trays (4) and PCB strips carrying the wiring.

[2], [3]. It consists of 988 ultra-pure [4] TeO₂ cubic crystals (50x50x50 mm), operated as bolometers, grouped into 19 towers, 52 crystals each. Crystals in a tower are hold in groups of four by 14 thin radioactive-pure copper frames spaced by columns made of the same material. A set of small PTFE holders (see figure 1) keep the crystal in place and rule the mechanical stress applied to them at cryogenic temperature. The 19 towers, assembled to form a very compact structure, operated at 10 mK inside an ad hoc designed cryostat, will constitute the CUORE detector. A complete description of the CUORE experiment can be found in [5].

The dominant sources of background in CUORE are the surface and bulk radioactive contaminations of constituting materials. These are due to natural impurities or contaminants of external origin that may adhere to or become embedded in the exposed surfaces of the material. In order to reach the CUORE target background of 0.01 counts/keV/kg/y in the $\beta\beta_{0\nu}$ region of interest (ROI) all these sources must be very carefully addressed along the whole construction through:

- An accurate selection of raw materials (origin, composition, production technique);
- The minimization of their permanence aboveground (for example for parts machining, and cleaning) to avoid cosmic rays activation;
- The use of clean protocols and tools to machine and

shape the components;

- The recognition of the most effective final cleaning process to strike down the residual surface contamination [6];
- The design of an assembly line providing all the tools and procedures required to preserve the extremely high level of radio-purity of the final components.

2. CUORE towers assembly line outline.

The inputs to the CUORE Towers Assembly Line (CTAL) are about 10.000 ultra-clean pieces produced, machined and cleaned following the aforementioned recommendations. The CTAL task is to transform those parts into 19 ultra-clean towers ready to be installed inside the cryostat.

The main requirements are:

- Contain to a minimum the recontamination risk due to a direct contact with contaminated (or simply less radio pure) materials and the exposure to solid (any powder) or gaseous (radon) contaminants in the atmosphere;
- Design a system such to guarantee the protection of the tower and its cleanness even for a long period;
- Provide the assembly procedure is reversible;
- Minimize the assembly time;
- Design the system to fit inside the CUORE clean room.

In addition the design of the CTAL has to take into ac-

count the fact that the tower reaches its final structural rigidity only at cryogenic temperatures. It is actually at these temperatures that the tower elements have been dimensioned on the basis of the different thermal contractions of the materials they are made of. A very smooth and careful handling of the structure is then required to avoid mechanical shock or acceleration that could damage the tower.

To cope with the minimum recontamination requirement, CTAL has been conceived as a "zero contact" assembly line: the tower cleaned components are protected at any stage of the assembly process from direct contact with objects made of non-radio pure materials and with solid or gaseous (radon) contaminants in the atmosphere. Their handling is minimized and is always performed by means of tools made of certified low activity materials.

To work in a clean, low radon, N₂ atmosphere the whole assembly process is confined into hermetic volumes accessible only through sealed gloves ports. The working volume is split into two intercommunicating - independently sealed - zones: one fixed, shared by all production tools, the other interchangeable, to face different assembly operations. The fixed volume is a lift/storage subsystem called "garage". It is used to host the tower under construction all over the assembly period and to provide two motion axis (rotation and vertical translation) to the assembly plate. The garage tops with the UWP, an "Universal" Working Plane (i.e. common to all the assembly tools and stages), providing the mechanical coupling interface to the second volume that can be one among four different glove-boxes (see figure 2). The garage and the

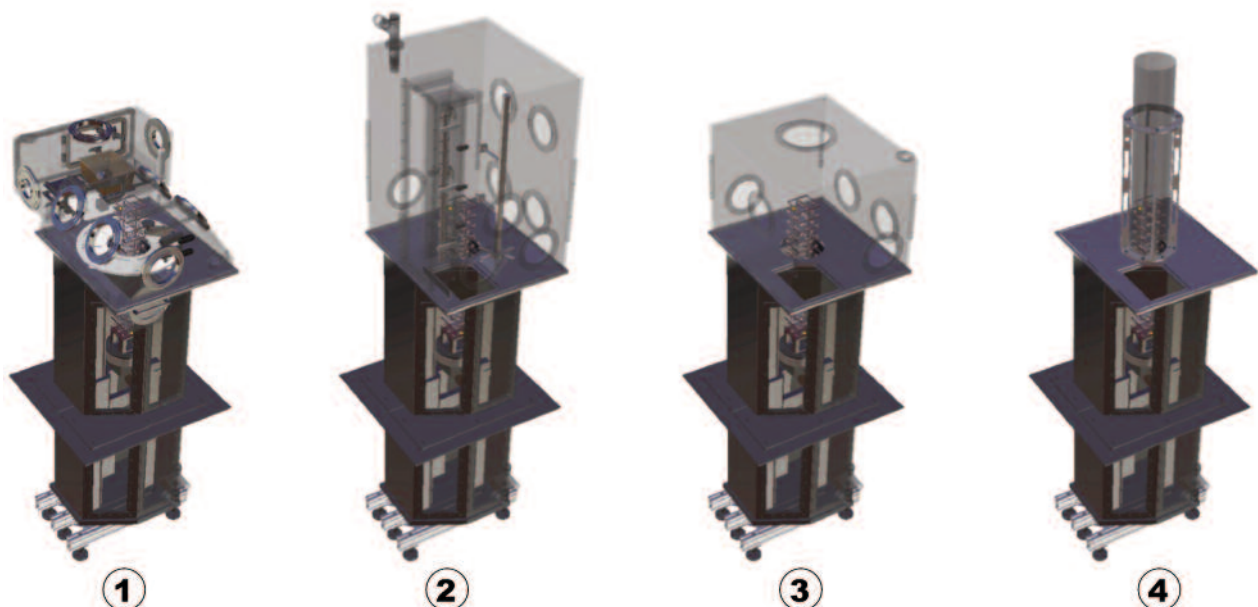


Figure 2: The four glove-boxes that can be mounted on the Universal Working Plane coupled with the "garage".

glove-box mounted on the UWP are independently sealed and fluxed with evaporated nitrogen. The two volumes communicate through an aperture on the UWP allowing the transfer of the detector under construction from his storage location (the garage) to the glove-box and vice versa.

Mounting on the UWP a specific glove-box performs any of the following assembly stages:

- Mechanical Assembly: copper frames and crystals are assembled in the Meck-Box (n.1 in figure 2) forming the main structure.
- Cabling: the copper wire-trays, supporting a flexible printed circuits (PCB) used to drive out bolometers signals, are installed on 2 opposite faces of the tower using the Cabling-Box (n.2 in figure 2)
- Bonding: the Bonding-Box (n.3 in figure 2) host a modified Westbond wire bonder operated to connect the sensors glued on each crystal to the cabling strips.
- Covering: making use of the Cabling-Box, copper covers are placed over the wire-trays to shield and secure the PCB strips.
- Storage: the finalized tower is stored inside a sealed canister (Storage-Box, n.4 in figure 2). The 19 nitrogen-fluxed boxes are parked in a rack waiting for the installation inside the cryostat.

The four interchangeable glove-boxes, designed considering the ergonomics and the set of tools and instruments required by the specific assembly, have completely different form factors and operator access points.

The assembly line is completed by a fifth, stand-alone,

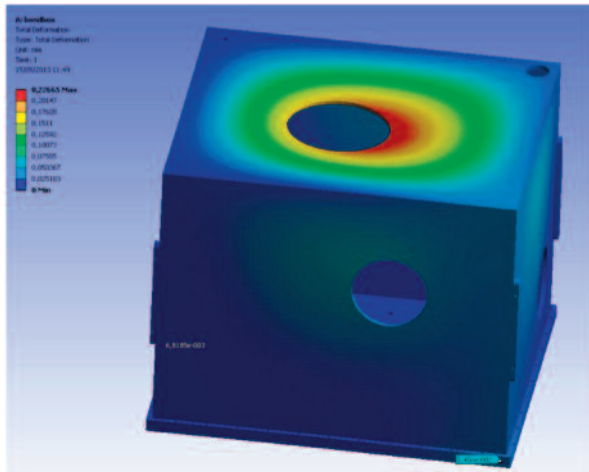


Figure 3: Ansys calculated deformation and stress of the Bonding-Box induced by the ~40kg load of the bonding machine. A limited deformation (0.2 mm) is expected excluding shape variations dangerous for the O-Ring (1 mm squeezed in standard condition), and a compatible stress distribution on the PMMA body with a maximum principal stress value of about 5 MPa

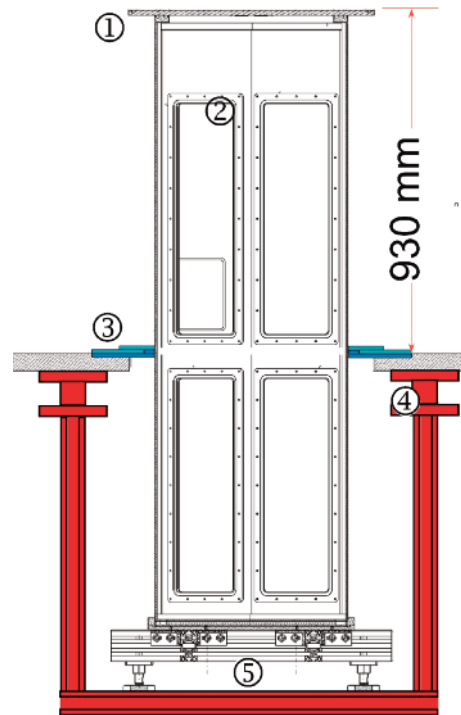


Figure 4: side view of the garage installation in clean room. 1) The UWP at 930 mm from the floor; 2) The garage body; 3) the three floor flanges sealing the breach in the floor; 4) the cage hosting the garage bottom; 5) the garage stand.

glove-box with a much larger working space and multi operator access ports. This special glove-box (End Of the World Box, EOW-Box in the following) is dedicated to all the pre-assembly operations (extraction of the components from their storage packaging, parts quality check, run-in, pre-assembly of tower components subsets etc. as well as their reverse). Its design and associated tools provide a very flexible system capable to face unexpected or not standard operation.

All the glove-boxes are made of PMMA, an optimal compromise between transparency, low radon permeability [7], density and cost. Finite Element analysis has been used to find the optimal compromise between the strength and the weight of each glove-box while the Rankine-Navier criterion has been adopted to verify the stress distribution with a safety factor $SF = 5$ to prevent any risk of structures failure.

The need to place the ~40 kg wire bonder on the UWP overhang portion required a complete static-structural analysis (figure 3) to calculate deformation and stress induced on the UWP and on the glove-boxes body, and confirm that the sealing between the two is not affected.

3. CTAL installation in the LNGS Clean Rooms

The assembly line is installed and operated in a clean

room at the first floor of the CUORE building at LNGS underground facility, named “HUT”. The single assembly working station with interchangeable glove-boxes approach fit well inside the limited space allocated for the assembly line. The total height of the garage structure actually is determined by the needs to host a complete tower (934 mm) plus its mechanical coupling to the lift/rotation table and its motion actuators (figure 4). To get the UWP at the right height, the garage stand on a cage fixed to the underneath building main structure sticking out the clean room through a square aperture on the floor. A three flanges system seals the breach restoring the clean room integrity.

4. The Universal Working Plate

All the assembly actions take place on the UWP within the N_2 atmosphere volume defined by the glove-box mounted on top. Its surface ($700 \times 800 \text{ mm}^2$) determines the effective working area, and is the result of an optimization among ergonomics issues, operative constraints (two facing operators must be able to exchange an object), internal tools occupancy, minimization of the system reconditioning time. The plane is obtained by machining a 15 mm thick ALCOA MIC6 aluminium slab requiring a surface flatness tolerance of 0.38 mm. A silicon-rubber O-ring running all along the UWP border provides the sealing with the glove-box.

Its rectangular shape has two apertures (see figure 5): a central hole open to the garage, and a shaped window on the bottom-right corner to host the bonding machine. Its asymmetric profile maximize the wire bonder motion range (see section 9) making all the bonding targets on

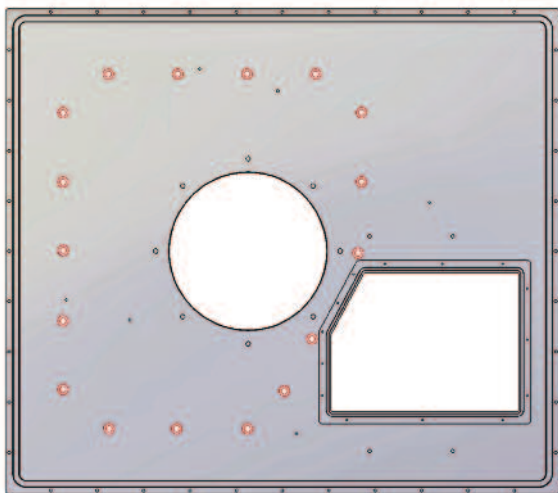


Figure 5: The UWP tools interface. In red are shown the connections with the garage shell, in black the hole patterns shared by the different tool sets used at different stages of the assembly.

the tower easily accessible. An independent threaded holes pattern around the shaped window fasten the underneath PMMA cover that complete the UWP sealing. If not used to host the wire bonder, the underneath PMMA box is used as repository to free the working space from bulky objects like the UWP central lid. The UWP surface presents some patterns of blind threaded holes used to fix the many different tools that, stage by stage, are needed for the assembly. Since those holes make more difficult a proper cleaning of the UWP surface, their number and positions have been carefully optimized.

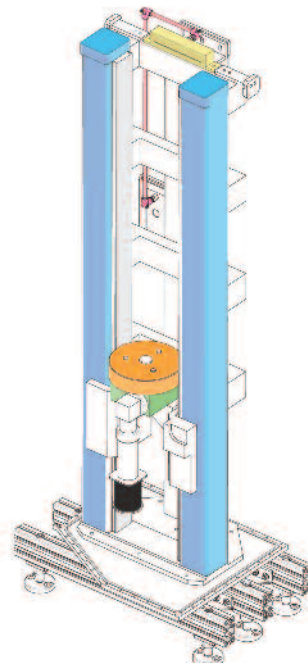


Figure 6: The garage equipment. Two parallel FESTO linear actuators are fixed to a BOSH Retrox aluminium stiff structure providing the coupling points with the external shell. Top and bottom inductive position sensors cabled with the remote set the upper and lower limit of the travel few millimeters before a mechanical security stop switch connected to the master security circuit. The rotation stage and its step motor are set on the lifting platform. The up-down, cw-ccw movements are controlled by a remote wired to the master electronic box located in the clean room.

5. The garage

The garage is the key CTAL volume. It is the N_2 fluxed main storage for the tower under construction, both while swapping the glove-box from an assembly stage to the next, and in case of long term production stops. It is equipped with a motorized linear actuator (assembly vertical motion) carrying on top a rotation stage and the assembly plate (figure 6).

The two axis motion are driven by two independent SANYO step motors, one connected to two coupled par-

allel 1100 mm FESTO linear actuators, the other to the rotation stage. The assembly plate lay down on the rotating plate matching a simple 3-dowels system transmitting the spin shear force.

Two RTA MIND T series step motor driver, generating a pulse train ranging from 3 kHz up to 24 kHz, control the step motors. The pulse frequency range corresponds, through a proper reduction, to a maximum vertical speed of 38.4 mm/s and a minimum speed of 150 $\mu\text{m/s}$, the latter required for a very precise setting of the tower when aiming at the bonding target.

The 1.6 $\mu\text{m/step}$ precision in the tower positioning has been exploited, in combination with an optical microscope system, to use the vertical motion to make very precise and touch-less measurement of the assembly geometry as described in section 7.

Two speed settings have been also implemented for the rotation: the lowest to let the bonding operator fine tune the angle between the wire bonder tip and the tower, the faster to rotate the assembly following the operators needs.

The detector construction starts on the assembly plate coupled with the rotation stage. A threaded M4 holes pattern is used to fix the assembly bottom, or, as it is in the

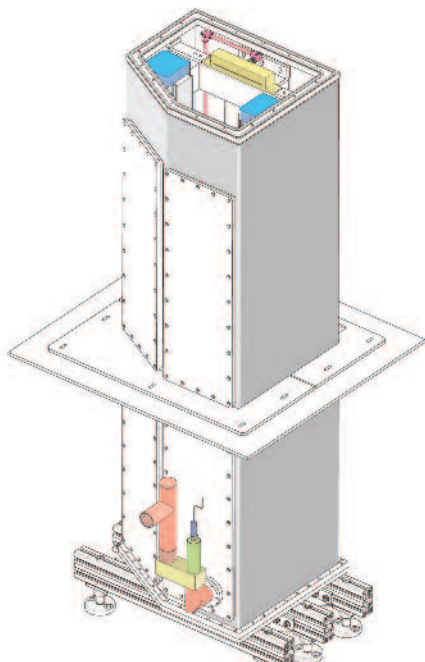


Figure 7: The garage shell. The relief valve and the polarimetric sensors at the gas outlet are on the bottom. A flange on the rear, at the clean room level, hosts the pass-through plugs for power, step motor driving pulses and safety sensors plus the gas inlet plug.

CUORE case, to mount a stand to raise the detector at the most convenient height for the next assembly stages. The maximum height allowed for the final assembly (de-

tector plus stand) is 1100 mm.

The garage outer shell (figure 7) is made of AISI 304 sheet metal 5 mm thick, bent to form its complex profile and TIG welded to grant its gas-tight. Compared to methacrylate, stainless steel has a lower radon permeability providing to the assembly the safer long-term storage within the CTAL chain. Four frontal PMMA windows allow the visual inspection of the inside and the access need for maintenance work. The trapezoidal footprint follow the shape of the UWP square opening to host the UWP underneath cover housing the wire bonder bottom. On the garage top flange a double concentric O-ring seals the garage body to the UWP.

The Garage is continuously purged with evaporated Nitrogen at a rate of 800 l/h from a diffuser on the top, and its internal environment purity is constantly monitored by a Polarimetric Oxygen sensor placed at the gas outlet pipe on the bottom side, out of the clean room.

6. Glove-Boxes design and common subsystems

The assembly line design prioritizes the constraints posed by recontamination issue and the need to match the CUORE requirements. But it aims also to advance a more general tool suitable to aid the assembly of any other similar-size structure requiring strictly controlled clean environment and procedures. The switchable glove-boxes design combined with the two axis motion capability of the garage are an example of this effort: modular structures in a wide range of heights can be assembled inside the Meck-Box offering constant side and top views while larger glove-boxes, like the Cabling Box, can present to the operator a fully extended, 1000 mm tall, assembly. Other elements of flexibility have been put in the glove-boxes design using, whenever it was possible, common interfaces able to host different tools. One of the most effective is the circular access interface fixed at the production stage on the glove-boxes wall. Their number and position vary with the glove-box shape to provide an open standard sealed coupling system to any kind of specialized flanges. Glove-ports or electrical feed-through panels are examples of use. In this way, the same glove boxes can be optimized for different assembly procedures by changing the kind of the flanges installed on any of the available access.

The glove ports for CUORE has been designed to fix the gloves selected by the CUORE radioactivity group: the Trionic™ 522, a triple polymer (a natural rubber neoprene and nitrile blend) gloves made by MAPA® Advantec. They are standard gloves available in two lengths both sized for a normal wearing (i.e. not shaped to be used as elements of a glove-box system). Their size de-

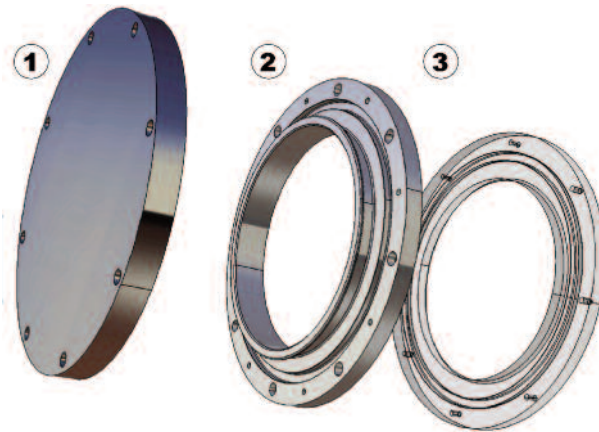


Figure 8: The glove-port. The PMMA flange (3) is the common interface glued on the GB wall. The O-ring seat seals the glove-port flange (2). The glove is secured to the flange through an extension spring blocking the forearm opening into the U shaped slot surrounding the central hole. When not in use the PMMA common interface is closed and sealed with the cover (1). All three elements are equipped with silicon rubber O-rings to maintain the sealing of the assembly.

fine the working area accessible by the operators within a glove-box and hence the UWP and the glove-boxes footprints. Figure 8 shows the assembly of a long-glove flange on the common PMMA interface. A slightly different glove-flanges is used to hold and fasten the short gloves.

The relatively small size of the glove-boxes and the number of glove ports installed, make the stability of the pressure inside the working volume strongly dependent on operators activity. A differential pressure variation of few mbar between the sealed volume and the outside environment could make uncomfortable the wearing of the gloves. Depending on the speed an operator insert or extract his arms from the box, a variation of the sealed volume as fast as 2 l/s may occur. To ensure a fast compensation of negative pressure peaks the glove-boxes are fluxed up to 4000 l/h. A custom relief valve levels almost instantaneously the overpressure peaks, seals the exhaust pipe on the under-pressure peaks keeping up the box pressure almost constant at few mbar above the room level.

Commercial relief valve traceable on the market are not designed to operate concurrently at a few millibars overpressure and flow rates of several thousands litres per hour. The custom valve developed for our needs exploits the same operative principle found in many commercial products but using as fast pressure/flow regulator a light-weight ping-pong ball floating in a PMMA pipe. A standard ITT approved class ping-pong ball has a 40.0 ± 0.4 mm diameter, a sphericity better than 0.25mm and weight 2.72 ± 0.03 gr, that is enough to get the 5-6 mbar overpressure that we have tested to be the most comfortable for

the operators. The pressure level inside the glove-box can be further increased by adjusting the weight of the ball filling it with some drops of Vaseline oil.

The relief valve (see figure 9) fixtures allow expanding the exhaust pipe line equipment with different kinds of sensors to monitor the quality of the conditioned atmosphere. In the case of CUORE, the most important parameter to keep under control is the ^{222}Rn content.

The ^{222}Rn activity measured in the clean room area is 25-30 Bq/m³ which implies the need of suppression factor larger than 100 to match CUORE requirements. This level of activity cannot be monitored in real time. We chose to use oxygen measurements as an indirect, but fast, indication of the presence of air, and hence ^{222}Rn , in the glove-box volume.

Depending on the application we use two kinds of oxygen sensor: a zirconium oxide one and a polarimetric one. The zirconium oxide sensor is a cheap instrument with a sensitivity of 0.2% in volume, a fast response and negligible maintenance. Mounted at the relief valve outlet, it is used to monitor the purging cycle and the proper sealing of the glove-box before opening the garage lid. Once the reconditioning is over the sensor is switched off since, by operative principles, it fails if exposed to a poor oxygen environment for long time. From this moment on the air contents in the garage-glove-box system is monitored by a higher sensitivity polarimetric sensor.

The zirconium sensor works at high temperature (about 90°C, see figure 10) very close to the PMMA Vicat B softening temperature (100-110 °C). A shielding, made

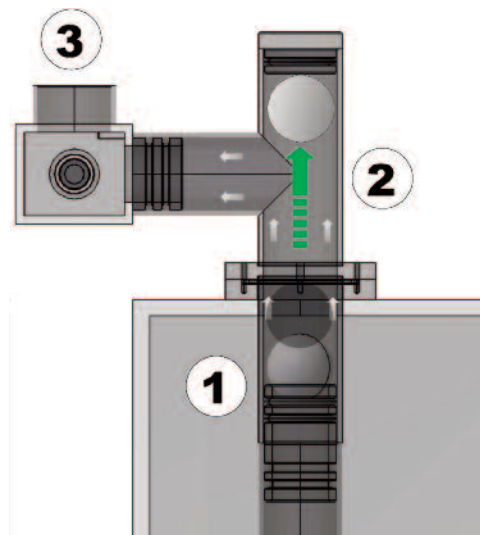


Figure 9: Schematic view of the "ping-pong" relief valve. In static condition with a 4000 l/h flux the ball float halfway in the PMMA pipe (1). Overpressure peaks (the operator insert his arm inside the GB) pull the ball on the top (2), fully opening the exhaust pipe. In case of negative pressure the ball is pushed on it seat sealing the exhaust line. The picture shows an assembly with a zirconium oxide oxygen sensor (3) mounted at the valve outlet.

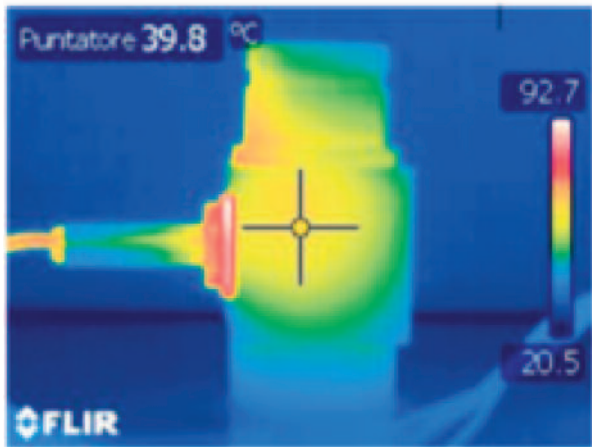


Figure 10: Thermal image of the ZnO₂ Oxygen sensor mounted on its holder at the outlet of the relief valve.

by composite G-10, provides the thermal decoupling at the PMMA holder. The sensor control board sent the data wireless to a simple wall-mounted receiver/display system.

The polarimetric sensor (Mettler Toledo InPro9050Gi) is an high sensitivity O₂ sensor installed at the outlet of the garage relief valve. Its working principle, based on an O₂ induced chemical reaction, makes it the best choice to continuously monitor an almost O₂ free environment giving a prompt response even for very small contamination. At the nominal 800 l/h rate the oxygen content inside the garage has been measured to be steadily less than 1 ppm. The gas flow is controlled by four distribution boxes (the maximum number of gas independent volumes operated simultaneously during the assembly). The flow is set and monitored by a PLC controlled mass flow meters. The on-board software manages the safekeeping by blocking the flow in case of a wrong behaviour of the system (for example in the case the glove-box gas outlet or inlet are

closed or blocked).

7. Mechanical assembly: the Meck Box and the EOW Box

All the detector ultra-pure components come up packaged in clean containers and divided in small sets suitable to be worked out within the assembly line.

Crystals come packaged in groups of four inside sealed Reber™ boxes under vacuum. PTFE spacers and copper parts packets are made of three polyethylene envelopes, each one individually set under vacuum.

Before entering the assembly process, copper and PTFE parts are unpacked, individually inspected, tested and rearranged in smaller sets matching the assembly workflow. This task is performed inside the large volume, multi access glove-box (the “End Of the Word” box in figure 11) while the Meck Box (figure 12), is the working volume where parts are assembled together. Both glove-boxes are equipped with antechambers: small sealed pass-through boxes with a fast reconditioning time to provide a continuous streaming of parts from EOW to Meck-Box. Both the inner and outer doors of the antechamber uses quick Southco® fasteners, for a fast and easy opening. Natural rubber O-ring, with minimum shore value (35 Shore A Hardness) provides the proper sealing.

Ultra-pure components sets that pass the quality controls are transferred “naked” (i.e. out of any envelopes) from the EOW to the Meck-Box antechamber inside clean PTFE canisters sealed in a dedicated vacuum-pumped Reber™ box.

Once inside the Meck-Box antechamber the box is opened and the canisters put on a clean sliding PTFE plate that, sticking out the Meck-Box main volume, makes them easily accessible to the assembly operators. The clean components are then spilled inside one of the

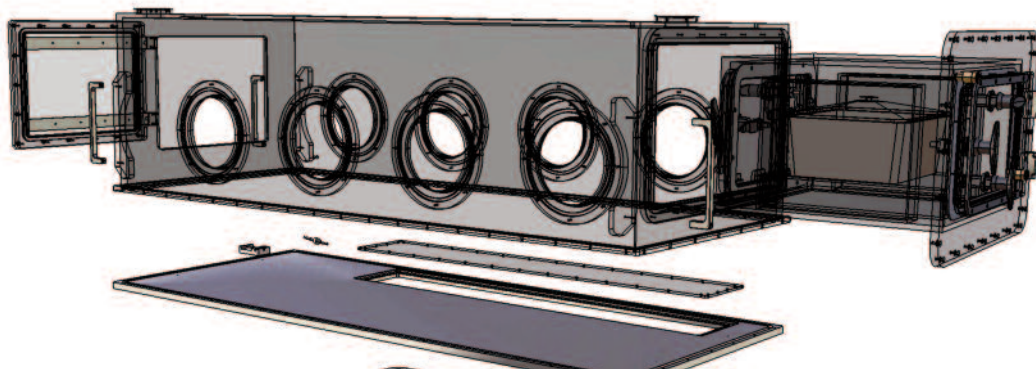


Figure 11: Exploded view of the EOW configured for parts selection and assembly feed. To speed up parts throughput without spoiling the main volume N₂ atmosphere a small antechamber replaces the right side closing panel. The antechamber is equipped with a set of empty, sealed, ancillary volumes to resize and keep to the minimum its effective volume to get always the faster reconditioning time.

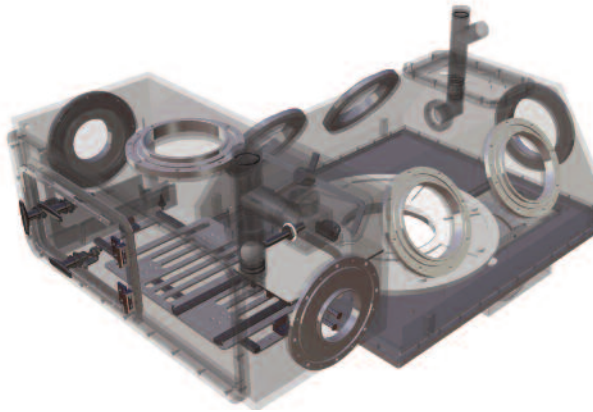


Figure 12: The Meck-Box. The antechamber (left) is glued to the glove-box main body. An interconnecting sealed door allows to pass parts from one volume to the other by means of a sliding tray. The antechamber body is risen with respect to the main chamber floor to get access at the base flange fixtures and kept the sliding tray at a convenient height when entering the main volume. To keep always clean the inside of the Reber™ box used to move the ultra-pure parts from the EOW to the Meck-Box it is re-sealed by means of an external vacuum pump through a small pipe placed on the left wall of the antechamber.

trays engraved on a large PTFE rotating disk surrounding the UWP central hole. Two operators get access to the components by spinning the disk by its handles (figure 13).

The assembly of each of the 13 floors of the tower is performed always at same height, the most comfortable for the operator, thanks to the gradual lowering of the tower inside the garage.

CUORE towers assembly is a precision task. Pieces slightly out of spec or a loose coupling between two components may compromise the feasibility of later actions. In particular few hundreds microns systematic deviation from the nominal distance among frames may prevent the correct coupling between the tower and the wire-trays carrying the PCB cabling.

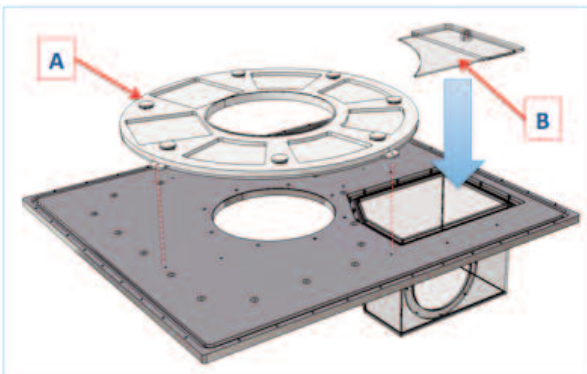


Figure 13: The UWP with the PTFE rotating disk (A). Seven engraved slots hold ultra-clean parts. During mechanical assembly a PMMA cover (B) close the access to the box beneath the UWP plane.

A way to monitor the structure growth without spoiling the radio-purity has been developed exploiting the garage vertical motion and designing an optical system capable to measure the distance between two frames without touching them. The device is made by two superimposed Dinolite™ USB microscopes (magnification up to 200x) fixed to a rotating arm hanging from the top of the Meck Box (figure 14). The distance between the two microscopes is fine adjusted by means of a micrometric screw and a calibrated target, while focusing is individually set operating two micro step motors (1,5 μm/step) that drive their forward-backward displacement. The detector growth is then monitored floor by floor by measuring the distance between two frames and comparing it to the nominal value. Rotating the tower the same measure can be repeated on the four sides of the assembly. At a magnification of 200x the sensitivity on the distance between to marks is about 10 μm.

The system is fixed to a special square flange, placed on top of the Meck Box main body, carrying also the USB and the step motor signals feed-through plugs.

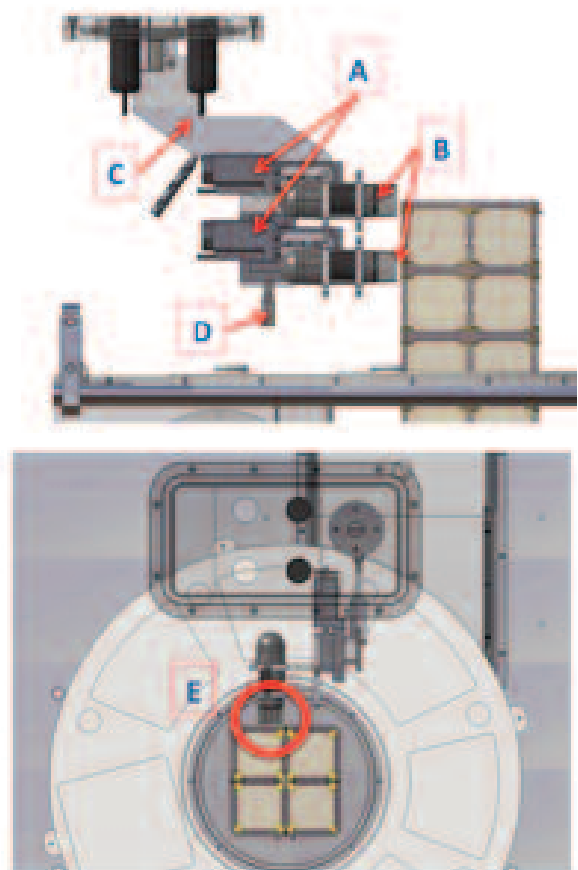


Figure 14: The microscope systems. (A) The two step motors for focus adjustment; (B) The twin Dinolite™ USB microscopes; (C) The rotating arm; (D) The micrometric screw; (E) top view of the microscopes pointing to the marks on two frames on a row.

Once the mechanical assembly is over, the tower is placed back into the garage, and the Meck Box is removed to prepare the UWP.

8. Cabling: the Cabling-Box and EOW Box

The “Cabling Box” (figure 15) size and access layout allow hosting and operate a fully exposed 934 mm tall CUORE tower structure. The main side is equipped with two couples of glove ports placed at two different heights. Left and right sides are equipped, respectively, with one and three interface flanges asymmetrically placed. They can be set as glove accesses or hold cables pass-through ports depending on the assembly action to be performed. On the backside a tall door allow the insertion of a special sealed box (the “Transfer-Box”) sized and equipped to hold pre-assembled parts up to 1000 mm long. A smaller door, engraved into the taller one, is used to let in smaller loads.

In the CUORE tower assembly process this box is used to couple the tower with the thin (1mm thick) and long (934 mm) copper piece (wire tray) holding the flexible PCB strips carrying out the bolometers signals.

The wire tray-PCB coupling is performed within the EOW. The antechamber is removed and the work plane is equipped with the clean tools needed to align and glue the ten layers PCB strip pack to the four copper fishbone-

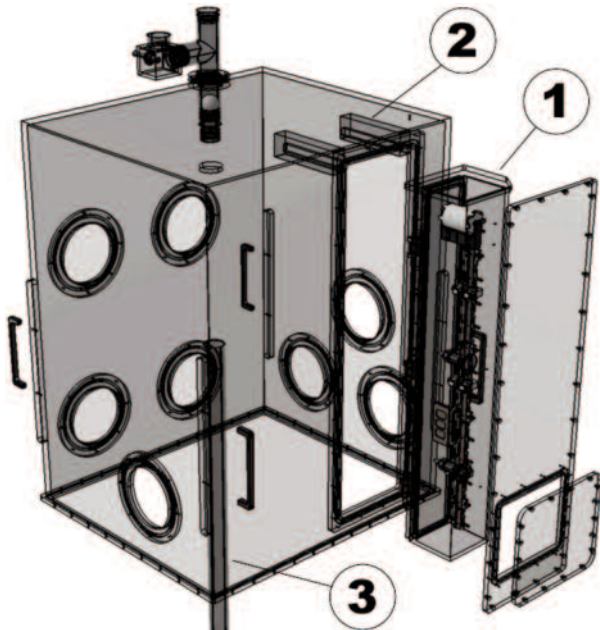


Figure 15: Exploded view of the Cabling-Box. The picture shows the Transfer Box (1) ready to enter the main volume. The top of the Transfer Box fits a slide (2) on the Cabling-Box top that ensure a stable vertical positioning of the tool. Handles on the four corner of the box make it easy to put on, or remove it, from the UWP. The gas flows from the top of the box from an auto-sealing plug and drained out from the bottom trough a pipe (3) connected to the relief valve.

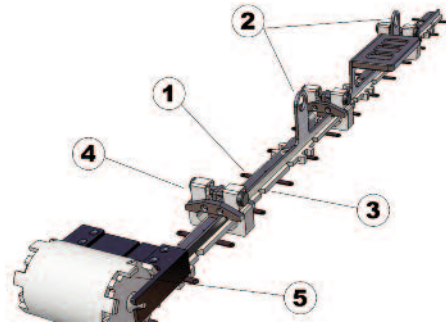


Figure 16: The exoskeleton fasten to the wire tray (1) by means of three PTFE clamps (4). Two wings (2) provide the interfaces to the transfer box holder and the tower alignment tool. The with clean PTFE slipper (3) avoid the contact between the clean components and the aluminium stand. The PCB cabling left over for the detector connection to the front end electronics is folded inside a clean PTFE roll (5) secured on the top of the exoskeleton.

shaped sections that constitute the wire tray structure. This delicate assembly is then secured to a clean and stiffer bar called “exoskeleton” (Figure 16). The exoskeleton allows to rotate vertically the assembly and provides the interface to the tools used to align and couple the wire tray to the tower.

Waiting for the wire tray assembly completion, the exoskeleton is stored inside an auxiliary sealed volume (the “cellar”), extending beneath the EOW work plane and accessible from the inside only (Figure 17). Once the glue is cured the exoskeleton is pulled out, coupled with the wire tray by means of a sliding clamps system, put back and sealed into the cellar again. This sealed temporary storage protect the clean assembled part while the

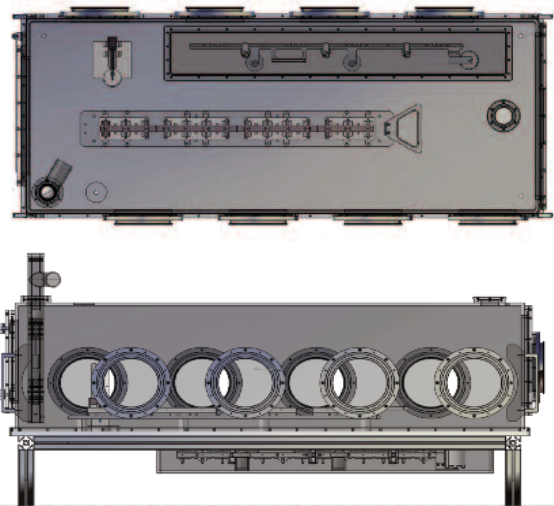


Figure 17: Top and side view of the EOW configured for wire tray assembly. The antechamber is removed to maximize the working area. The asymmetric placement of the glove access on the two sides of the box allows to eliminate blind zones on the working plane. In the side view is visible the cellar, hanging from the working plane bottom, hosting the exoskeleton waiting for the wire trays assembly to be completed. It can be a sealed, safe location to store, on emergency, a clean assembly underway too.

EOW is opened and cleared to insert the Transfer-Box used to move the wire-trays from the EOW to the Cabling-Box.

Once inside the Cabling Box the canister remains fastened until the main volume purging cycle ends. After purging, the Transfer Box is opened and the exoskeleton is locked to a revolving stand that help the operator to move toward and align the wire-trays to the tower. Once the wire tray is fastened to the tower the exoskeleton is disengaged making the detector ready for the bonding.

9. Bonding: the Bonding-Box

The UWP is designed to host a 7700 West Bond manual wire bonder modified by the manufacturer to operate on a vertical plane to make feasible the bonding of the components lying on the tower surface.

The standard area covered with the manual drive of the bonding tip (± 10 mm left-right) has been extended hanging the top the machine to a 70 mm, two axis, motorized table fixed to a bridge-shaped aluminium fixture just above the shaped opening of UWP. This system, along with the z axis garage motion, allows to reach any bonding target within ± 45 mm (left-right), ± 10 mm in depth, from the detector center all along the 934 mm tall tower. Two DC motors controlled by proportional actuators pro-

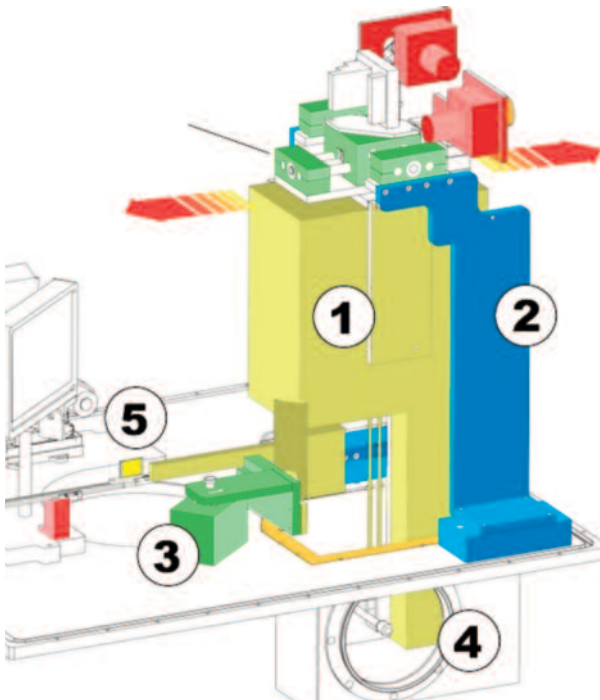


Figure 18: Front view of the UWP set for bonding: (1) The wire vertical bonder; (2) the support structure coupled with the machine top; (3) the LCD video camera joint with wire bonder body; (4) the access to the manual drive beneath the UWP; (5) a gold target holder sliding in front of the machine for parameters tuning and testing.

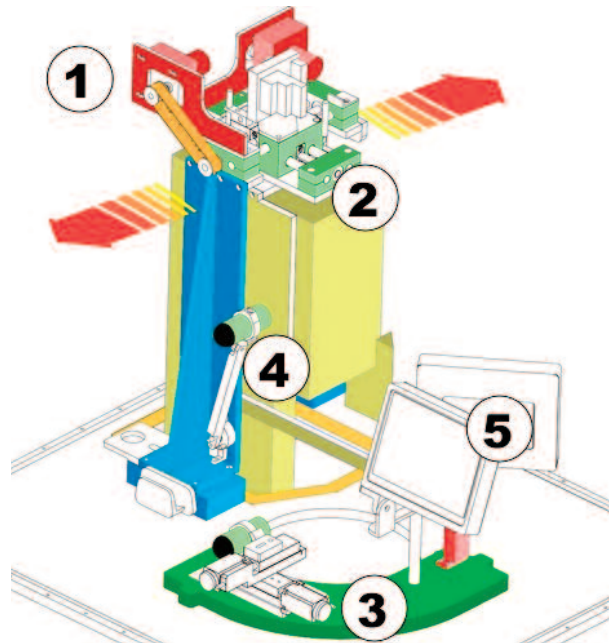


Figure 19: Rear view of the UWP set for bonding: (1) One of the two DC motors driving the bonder motion. The motor axis is connected to the translation stage by a cog belt for a smoother drive (2) The wire bonder x,y translation stage; (3) The half moon plate carrying the rear QC microscope and, (5) the two LCD monitor on their adjustable stand; (4) A magnetic clamp allows to easily fasten the microscope to the x,y positioning table or to a rotating arm (4) allowing to frame the bonder tip for maintenance actions.

vide a smooth and precise drive of the instrument (figure 18).

The moveable structure integrates an LCD camera continuously framing the area beyond the tip. Focus and magnification remote controls aid the operator to aim and reach with high precision the bonding target.

Opposite to the bonding system (figure 19) the UWP is equipped with an interface (the Half Moon Plate) hosting a two axis motorized stage holding a microscope for bonding target inspections and bonding quality check plus two small steerable LCD monitors serving the microscope and the main LCD camera.

All these instruments are included in the Bonding-Box shown in figure 20.

The glove-box provides two gloves accesses on the rear side (cabling, tools installation, and quality check operations); and a cable pass-through flange on the right side. The on board machine front panel manual switches can be reached both from a fast access IRIS port on the front side of the box and from a glove access on the left side suitable for machine maintenance actions too.

All the cable pass-through connections (the main LCD camera video-out, the bonding machine power, the x/y wire bonder motion, the x/y motorized control of the rear QC microscope) are IP68/69K industrial standard compliant ensuring, when mated, the proper sealing of the

glove-box.

The shape of the box is designed to minimize its volume by limiting to a cylindrical extension the volume exceeding the minimum set by the wire bonder heights and its equipment.

The bonding machine is a complex electro-mechanical instrument hard to keep as clean as all the other tools installed inside a glove-box. Even if stored in a clean room, dirt and contaminants may collect into the interior whenever it is out of the glove-box. To avoid that the gas flow crossing this area goes towards the detector, the N₂ inlet is placed on top of the cylindrical extension steering the flow straight over the tower while the exhaust pipe draws the gas from the glove box bottom near the corner behind the machine itself .

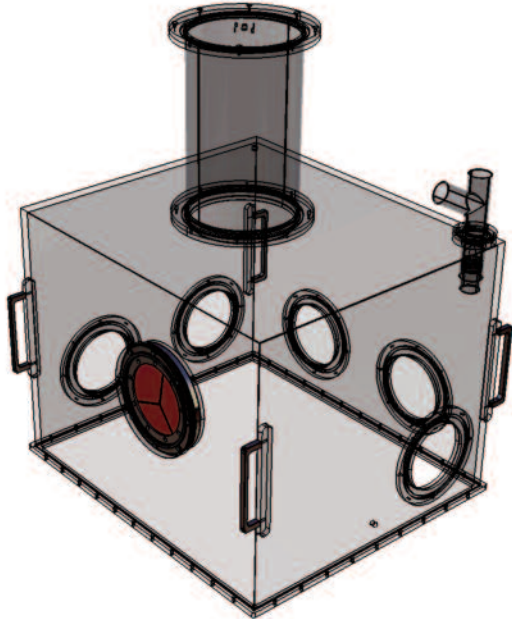


Figure 20: The Bonding-Box.

A shower-like diffuser at the inlet slows down the flow to minimize the turbulences that may interfere with the bonding operation.

10.Removing and Storing: the Storage-Box

Once the assembly is over the detector exits the garage to be inserted into a sealed canister (the Storage-Box). This action breaks the zero-contact approach pursued all over the previous assembly stages, exposing the tower, even for a very short time, to a not completely purged atmosphere. To limit the risks to the moment the garage lid is open, to let the detector move inside the canister, the storage box is designed as a bottom side open volume exploiting the tower assembly plate itself as sealing shutter (figure 21). The canister base flange has a double circular



Figure 21: The tower leaving the garage inside the storage box. The same plate the detector has been assembled on provides the bottom closing of the canister.

holes pattern: the outer to couple with the UWP the inner to fasten the assembly plate.

Two NBR, 90 Shore A hardness, O-rings, one on the base flange bottom, the second one on the assembly plate top, grant the two volumes (the canister and the garage) tightness while relocating the detector, as well as the air tightness of the coupling of the assembly plate with the storage box base flange.

To prepare and keep clean the storage box volume, both before the lid opening and during the transfer, it is continuously flushed with nitrogen at 4000 l/h. During this



Figure 22: The Storage-Box on its cart.

action the risk to air exposure is related to the garage lid opening and the resulting contamination of its atmosphere. The polarimetric sensor reading shows that the oxygen contents (air =100%) inside the garage reach, at maximum, the 13% level, lasting over the 1% level for less than 3 minutes, while the detector move takes about one minute.

The box realized to store the CUORE tower is an aluminium alloy structure (figure 22) holding a PMMA cylindrical volume equipped with the gas inlet-outlet plugs. Four light standards offer breaks-in to pick up the canister with different tools while the transparent housing allows the visual inspection of the tower from a very close point of view. The bottom flange fits a specific wheels cart used to propel the box around the Clean Room and to maintain the cleanness of the assembly plate bottom.

The mass of the Storage Box with the tower is approximately 60 kg; in order to provide a smooth removal from the UWP a light hand held portal crane, with a manual

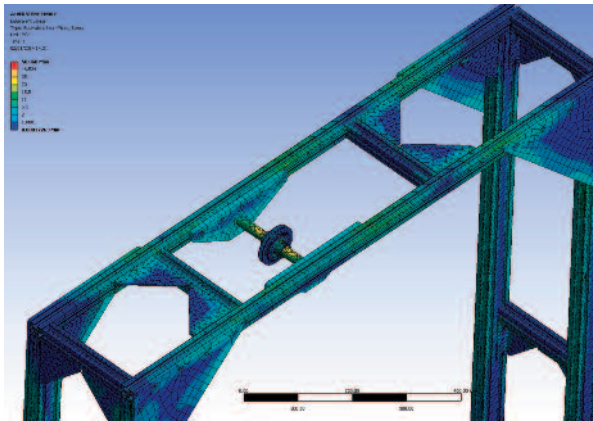


Figure 23: Ansys calculation of the stress and strain of the crane.

winch, has been designed for the job. It is a modular structure made of aluminium extrusion bars (FBV Modular System products, series 30x30 mm² and 30x60 mm²) calculated and tested to lift up to 85 kg. A FEM static-structural analysis in ANSYS (figure 23) shows a maximum stress in the aluminium extrusion of 58 MPa, calculated following the Von Mises criterion; it accomplishes the SF=1.5 considered for dynamic load, compared Yield stress certified for the extrusions material (190 MPa). When not in use its compact shape and foldable legs make it easy to park it in clean room without spoiling the little space available.

Conclusions

In this paper we describe the construction strategy and the procedures conceived to assembly the 19 towers that constitute the CUORE detector.

The commissioning of the CTAL in the CUORE clean room at LNGS was done in the summer of 2011 (figure 24).



Figure 24: The Meck-Box installed on the garage after the commissioning

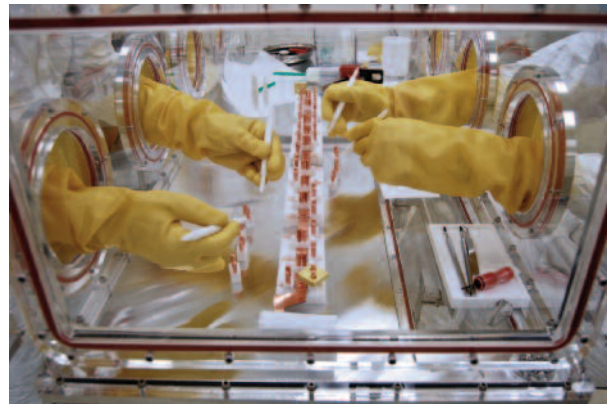
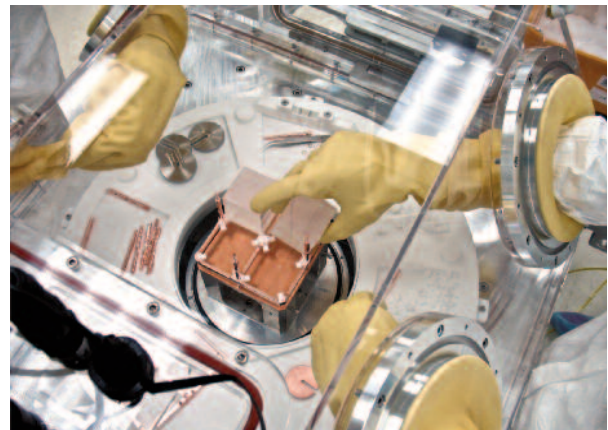


Figure 25: The beginning of the tower mechanical assembly (top) and the gluing of the flexible PCB to the wire tray inside the EOW (bottom)

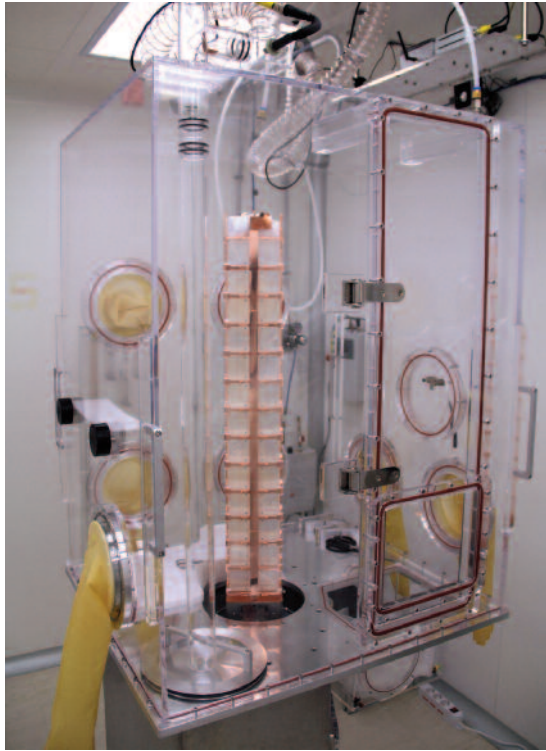


Figure 26: A tower full ri inside the cabling-box after the assembly of the wire trays.

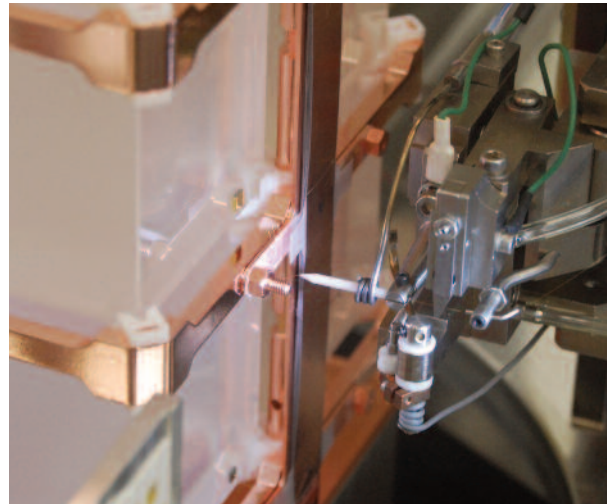


Figure 28: The tip of the wire bonder approaching a bonding target on the wire tray.

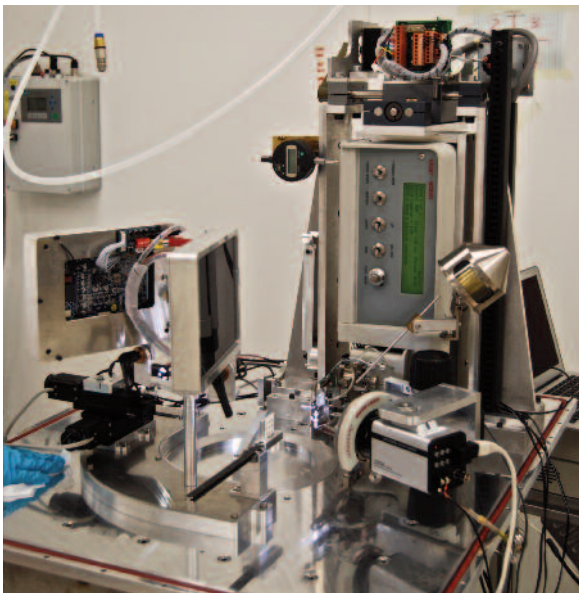


Figure 27: The UWP with the bonding tools



Figure 29: The CUORE-0 tower within the storage box ready to exit the Cuore Tower Assembly Line.

A first CUORE-like tower, CUORE-0, was assembled in March 2012 (figures 25,..., 29) as a bench test to validate the CUORE production chain sharing the same raw-materials selection guidelines, parts machining protocols, cleaning techniques and assembly procedures of a standard CUORE tower. The Cuore-0 construction was ter-

minated in 5 working days (the wire bonding not included).

During this test the intrinsic flexibility of the system was widely tested proving to be very effective in making this delicate and ultra clean assembly feasible, fast and easy. The complete reversibility of the process makes also pos-

sible to perform many quality check on the parts and their coupling, prior to the final assembly, without spoiling their radio purity.

CUORE-0 is currently operated at ~ 13 mK inside the Cuoricino cryostat in the LNGS hall A. A first look [8] at the data taken in the very first few months of running shows a significant improvement on the background suppression in the ROI with respect to the Cuoricino results, confirming the performance of this system are compliant with the CUORE requirements.

With a few minor modifications and upgrade as suggested by the Cuore-0 experience, CTAL started to assemble the CUORE towers in March 2013. The construction goes smoothly since then, in line with the CUORE construction master plan.

At the time of writing the assembly of 17 out of 19 towers has been completed without problems. The construction is expected to end in June 2014.

11.References

- [1] Andre de Gouvea, Petr Vogel;
Prog.Part.Nucl.Phys. 71, 75-92, 2013.
- [2] F.T.Avignone et al.;
Rev.Mod.Phys 80, 481-516, 2008
- [3] A.S.Barabash;
Phys.Atom.Nucl.73, 162-178, 2010
- [4] C. Arnaboldi et al.;
Journal of Crystal Growth, 312, 2999 2010
- [5] C. Arnaboldi et al., CUORE collaboration;
Nucl. Instr. Meth. A 518, 775-798, 2004.
- [6] F. Alessandria et al.;
Astroparticle Physics 45 (2013), pp. 13-22
- [7] W. Arafa;
Rad.Radiation Measurements 35 (2002) 207–211
- [8] C. Arnaboldi et al., CUORE collaboration;
EPJC 1, 1 (2014).