

Upper Rhine Valley: A migration crossroads of middle European oaks

Authors: Charalambos Neophytou & Hans-Gerhard Michiels

Authors' affiliation:

Forest Research Institute (FVA) Baden-Württemberg
Wonnhaldestr. 4
79100 Freiburg
Germany

Author for correspondence: Charalambos Neophytou

Postal address:

Forest Research Institute (FVA) Baden-Württemberg
Wonnhaldestr. 4
79100 Freiburg
Germany

Telephone number: +49 761 4018184

Fax number: +49 761 4018333

E-mail address: chneophytou@gmail.com

Short running head: Upper Rhine oak phylogeography

1 **ABSTRACT**

2 The indigenous oak species (*Quercus* spp.) of the Upper Rhine Valley have migrated to their
3 current distribution range in the area after the transition to the Holocene interglacial. Since
4 post-glacial recolonization, they have been subjected to ecological changes and human
5 impact. By using chloroplast microsatellite markers (cpSSRs), we provide detailed
6 phylogeographic information and we address the contribution of natural and human-related
7 factors to the current pattern of chloroplast DNA (cpDNA) variation. 626 individual trees
8 from 86 oak stands including all three indigenous oak species of the region were sampled. In
9 order to verify the refugial origin, reference samples from refugial areas and DNA samples
10 from previous studies with known cpDNA haplotypes (chlorotypes) were used. Chlorotypes
11 belonging to three different maternal lineages, corresponding to the three main glacial
12 refugia, were found in the area. These were spatially structured and highly introgressed
13 among species, reflecting past hybridization which involved all three indigenous oak species.
14 Site condition heterogeneity was found among groups of populations which differed in
15 terms of cpDNA variation. This suggests that different biogeographic subregions within the
16 Upper Rhine Valley were colonized during separate post-glacial migration waves. Genetic
17 variation was higher in *Quercus robur* than in *Quercus petraea*, which is probably due to
18 more efficient seed dispersal and the more pronounced pioneer character of the former
19 species. Finally, stands of *Q. robur* established in the last 70 years were significantly more
20 diverse, which can be explained by the improved transportation ability of seeds and
21 seedlings for artificial regeneration of stands during this period.

22 **KEY WORDS**

23 Chloroplast microsatellites (cpSSRs), phylogeography, *Quercus robur*, *Quercus petraea*,
24 *Quercus pubescens*, Upper Rhine Valley

25 1. INTRODUCTION

26 The Upper Rhine Valley is one of the major geographic features in the western part of
27 Central Europe. As a biogeographical region, it displays a relatively wide variety of ecological
28 conditions, hosting diverse vegetation communities, which include several types of
29 broadleaved forests (Oberdorfer, 1992). Due to favourable climate and topography, human
30 settlement in the area began early in the Holocene and land use dates back to at least 7500
31 years before present (BP; Lang et al., 2003; Zolitschka et al., 2003; Houben et al., 2006). Oaks
32 (*Quercus* spp.) have been both an important member of the natural vegetation communities
33 and a source of timber and other non-wood products for humans during much of the
34 Holocene (since 10,500 years BP). The genus *Quercus* is represented by three species of
35 white oaks (section *Quercus* based on recent taxonomic studies; Denk and Grimm, 2010) in
36 the area. *Quercus robur*, being able to tolerate waterlogging, mainly occupies lowland areas
37 flanking the river banks (Aas, 2008a). On the other hand, *Q. petraea* requires well drained
38 soils and thus is more abundant in hilly areas like the piedmont of the Vosges Mountains
39 (Aas, 2008b). The third species, *Quercus pubescens*, is a submediterranean vegetation
40 element. In the Upper Rhine Valley, it has a marginal distribution occurring in exceptionally
41 dry sites with alkalic soils (Oberdorfer, 1992; Bussotti, 2008).

42 As many arboreal elements of the regional flora, oaks migrated to the Upper Rhine Valley
43 soon after the end of the last ice age, during the Preboreal period (first occurrence about
44 9500 to 9000 years BP), originating from refugial areas around the Mediterranean Sea
45 (Brewer et al., 2002). Genetic evidence about the refugial origin and post-ice-age
46 recolonization routes of Central European oaks has been provided by a large number of
47 studies conducted in the last two decades, mostly based on chloroplast DNA (e.g. Petit et al.,
48 1993, Petit et al., 2002a; Deguilloux et al., 2004). In general, it has been shown that oak
49 populations in Central Europe share their chloroplast DNA haplotypes (chlorotypes) with
50 regions around the Mediterranean, which hosted refugial populations during the last glacial.
51 The genetic differentiation among refugial sites agrees with the hypothesis that the main
52 maternal lineages of cpDNA arose there during the last glacial (or even earlier) under the
53 effects of genetic drift and mutation (Kremer and Petit, 1993; Petit et al., 2002a). The
54 longitudinal distribution of the different maternal lineages reflects a general south-to-north
55 direction of post-glacial recolonization pathways (Petit et al., 2002a, Slade et al., 2008).
56 Moreover, the general lack of further genetic variants confined to non-refugial regions

57 supports that no significant genetic differentiation has happened during the current
58 interglacial (Petit et al., 2002a).

59 Post-ice-age migration history has largely determined regional cpDNA diversity levels of the
60 Central European oaks. High cpDNA diversity arose where different recolonization routes
61 met (Csaikl et al., 2002; Petit et al., 2002b). On the other hand, seed mediated gene flow,
62 being restricted by the barochoric seed dispersal of oak acorns, contributed to a limited
63 within-population differentiation, but strong phylogeographic structure in terms of cpDNA
64 (Ennos, 1994, Petit et al., 2004). An additional major factor affecting cpDNA variation in oaks
65 is hybridization. Due to linkage equilibrium, chlorotypes can be exchanged among
66 interfertile species after an initial hybridization event and a number of successive
67 backcrossings, (Kremer and Petit, 1993). A wide scale sharing of cpDNA geographic patterns
68 supports historical interbreeding among members of the European white oaks (Petit et al.,
69 2002b). Finally, human management may have also had important consequences on cpDNA
70 variation and spatial distribution. Through seed transfer and creation of artificial stands,
71 human has intervened into seed mediated cpDNA gene flow, by increasing it and probably
72 by contributing to a decrease of differentiation among populations (König et al., 2002;
73 Gailing et al., 2007). This human impact is expected to be strong in areas with an early
74 human settlement and intensive land use, like the Upper Rhine Valley.

75 In the present study, we focus on the phylogeography of the indigenous oaks in the Upper
76 Rhine Valley based on chloroplast DNA markers. First, we investigate the refugial origin of
77 the stands and the spatial distribution of the different genetic variants in a region with
78 complex migration history. Second, we analyze the genetic variation and its distribution
79 within and among populations and we compare its patterns between *Q. robur* and *Q.*
80 *petraea*, taking their ecological and physiological differences into account. Third, we address
81 the human influence on the cpDNA distribution of the oaks, by putting a special emphasis on
82 the consequences of recent forest management.

83 **2. MATERIALS AND METHODS**

84 **2.1. Study area and sample collections**

85 The study area comprises the Upper Rhine Valley, delimited by the Vosges Mountains to the
86 west, the Jura Mountains to the south and the Black Forest to the east. The northern limit of
87 the study area was put along the border between Alsace (France) and Rhineland-Palatinate
88 (Germany), along the Rhine (separating Rhineland-Palatinate from Baden-Württemberg) and

89 between Baden-Württemberg and Hessen. The sampled forest stands mostly occurred in
90 lowland sites and to a lesser extent in the foothill zone. A total of 626 trees from 86 oak
91 stands were sampled. The sample was representative of the whole geographic region and
92 covered the whole amplitude of site conditions. Individuals of all three indigenous oak
93 species of the area – *Quercus robur*, *Quercus petraea* and *Quercus pubescens* – were
94 included. Classification into species groups or intermediates was made based on
95 morphological (field characterization) and genotypic data (Bayesian clustering analyses
96 based on 21 nuclear microsatellite loci; results not shown here). In 13 cases, individuals of
97 more than one species were sampled from the same stand. Due to the fact that *Quercus*
98 *robur* is more widespread in the area, it was represented by a higher number of individuals
99 and stands. In total, 314 individuals of *Q. robur* were collected from 63 stands compared to
100 214 *Quercus petraea* individuals from 39 stands and 90 *Quercus pubescens* individuals from
101 six stands. In addition, sampling included eight hybrid forms found in seven different stands.
102 Leaf material or buds were collected from each tree. Information about the age of the
103 stands was gathered based on forest local inventory data.

104 With respect to their site and climatic conditions, the sampled stands were subdivided into
105 three biogeographical subregions (Table 1). A further categorization was made concerning
106 the age of the stands. Again three categories were defined: (1) Stands of age up to 70 years,
107 which have originated after the Second World War, (2) stands of age from 100 to 130 years,
108 due to the fact that seed transportation by rail in Central Europe reached a maximum in this
109 period (König et al., 2002, Gailing et al., 2007), and (3) stands older than 130 years. Stands
110 with an age between 70 and 100 years were not represented in our sample, probably due to
111 reduced plantation activity between the First and the Second World War. Details about the
112 sample stands are included in the supplementary material (supplementary data in electronic
113 version; Table S1).

114 In addition to the sampled stands in the Upper Rhine Valley, 71 trees from 11 oak stands in
115 the Iberian Peninsula (Navarra and Basque Country), Italy (Sardinia and Central Italy) and the
116 Balkan Peninsula (Central Bulgaria and Northern Greece), representing refugial sites, were
117 included in the sample. Finally, 7 DNA reference samples representing the most common
118 central European haplotypes of white oaks (section *Quercus* according to a recent study of
119 Denk and Grimm, 2010), kindly provided by the INRA Bordeaux, were used as a comparison.
120 These samples possessed known haplotypes, previously described in Dumolin-Lapègue et al.
121 (1997) and Petit et al. (2002a).

122 2.2. Laboratory procedures

123 After sample collections, plant material was transferred to the laboratory and frozen at
124 -80°C. Subsequently, it was freeze-dried in vacuum and DNA was extracted using the DNeasy
125 96 extraction kit (Qiagen, Hilden, Germany). Polymerase Chain Reactions (PCR) were carried
126 out for the amplification of ten chloroplast DNA microsatellites (cpSSRs). These were chosen
127 according to a previous phylogenetic study in oaks (Deguilloux et al., 2004). The analyzed loci
128 included ccmp2, ccmp6 and ccmp10, designed on *Nicotiana tabacum* (Weising et al., 1999),
129 and μ cd4, μ cd5, μ dt1, μ dt3, μ dt4, μ kk3 and μ kk4, designed on *Q. petraea* and *Q. robur*
130 (Deguilloux et al., 2003). Primers from these loci were fluorescently labelled with blue (FAM;
131 loci ccmp10, μ dt1 and μ cd4), green (HEX; loci ccmp2, ccmp6, μ dt3 and μ dt4) or yellow
132 colour (Atto550; μ cd5, μ kk3 and μ kk4) and were mixed in one multiplex. For the PCR
133 reaction, the SuperHot Mastermix (Genaxxon, Biberach, Germany) a premixed mastermix
134 including all PCR components except DNA template and primers was used. Reaction volume
135 was set to 10 μ l, comprised of 5 μ l reaction mastermix (2x), 1 μ l of primer mix (0.2 μ M of
136 each primer pair in the mastermix), 2 μ l water and 1 μ l diluted DNA (ca. 4 ng/ μ l). The PCR-
137 programm included following steps: (1) denaturation at 95°C for 15 min; (2) 30 cycles with a
138 denaturation step at 94°C for 30s, primer annealing at 46°C for 1 min and 30s and an
139 elongation step at 72°C for 30s; (3) Elongation at 72°C for 10min and (4) a final step at 60°C
140 for 30min. Allele scoring was performed by means of a capillary electrophoresis using an ABI
141 Prism 3100 genetic analyzer and the software GeneMapper (Applied Biosystems). Repeats of
142 capillary electrophoresis were carried out by reanalyzing representative subsamples from
143 different 96-well plates together the reference samples of the most common central
144 European haplotypes of white oaks on a single 96-well plate.

145 2.3. Data analysis

146 Chlorotypes were defined as different combinations of alleles at the 10 analyzed cpSSR loci.
147 For chlorotype designation, loci were sorted alphabetically and alleles were sorted by
148 increasing size. In order to define the phylogenetic relationships among the chlorotypes, a
149 minimum spanning tree based on allele length differences was constructed using the
150 software Arlequin 3.5.1.3 (Excoffier and Lischer, 2010). The software HapStar was then
151 applied to plot the minimum spanning tree (Teacher and Griffiths, 2011).

152 Genetic variation within and among stands was surveyed by means of various differentiation
153 measures. The software programm PermutCpSSR 2.0 (available at

154 <http://www.pierroton.inra.fr/genetics/labo/Software/PermutCpSSR/index.html>) was used
155 to investigate haplotypic diversity within populations (h_s) and overall (h_T). Pairwise non-
156 parametric Mann-Whitney tests were carried out (using a standard programme available
157 online at <http://elegans.som.vcu.edu/~leon/stats/utest.cgi>) in order to test whether h_s
158 differences between (1) species, (2) groups of stands belonging to different age classes or (3)
159 groups of stands belonging to different biogeographical subregions are significant. The data
160 sets used for the tests consisted of population specific haplotypic diversities (h_k) as described
161 in (Pons and Petit, 1996) which are averaged in order to find out within population diversity
162 of a particular group of populations. Normal approximations were made when sample sizes
163 exceeded 20 populations, following the recommendations of Sokal and Rohlf (1995).
164 Comparisons were made both within and across species. Moreover, using the programme
165 PermutCpSSR 2.0, differentiation among populations (G_{ST}) and equivalent coefficient of
166 differentiation (R_{ST}), which takes into account mutational differences among haplotypes,
167 were calculated. In order to test for phylogeographic structure, a statistical test was
168 employed following Pons and Petit (1996) in order to compare the values of G_{ST} and R_{ST} .
169 According to Lynch and Crease (1990) and Pons and Petit (1996), if the different chlorotypes
170 are randomly distributed, the values of these two measures are equal. On the contrary, if
171 phylogeographic structure occurs, e.g. each chlorotype has a specific geographic
172 distribution, R_{ST} is larger than G_{ST} . To test for phylogeographic structure, the measured R_{ST}
173 values were compared with the distribution of values obtained by 1000 random
174 permutations of haplotype identities among populations using the software PermutCpSSR
175 2.0. Calculations of genetic variation measures, as well as the test for phylogeographic
176 structure were carried out both at the within species level (with populations with at least 3
177 individuals of the analyzed species) and across species (without considering species identity
178 in populations).

179 To further investigate interspecific differentiation, an Analysis of Molecular Variance
180 (AMOVA) based on Excoffier et al. (1992) and Excoffier (2003) was conducted using Arlequin
181 3.5.1.3. The analysis was based on the haplotypic format and on the number of different
182 alleles (F_{ST} -like), following the instructions of the program manual (available online at
183 <http://popgen.unibe.ch/software/arlequin35/man/Arlequin35.pdf>). Species were treated as
184 groups resulting in three hierarchical levels of differentiation: among species (fixation index
185 F_{CT}), among populations within species (fixation index F_{SC}) and within populations (fixation
186 index F_{ST}). Significance tests were carried out for each one of the corresponding fixation
187 indices by applying 10,000 permutations of (1) populations among species for testing

188 significance of F_{CT} , (2) haplotypes among populations within species for testing significance
189 of F_{SC} and (3) haplotypes among populations across species for testing significance of F_{CT} .

190 Furthermore, in order to examine the degree of cpDNA sharing between species, introgression
191 ratios (IG) according to (Belahbib et al., 2001) were calculated by examining the study species
192 pairwise. The introgression ratio was calculated as the ratio between the interspecific genetic
193 identity and the mean of the intraspecific genetic identities. The intraspecific genetic identity
194 equals the sum of squares of the frequencies of all haplotypic variants within each species in
195 the whole study area and the interspecific one is defined as the sum of products of each
196 haplotypic variant between species (Dumolin-Lapègue et al., 1999). The introgression ratio
197 between species 1 and 2 was calculated using the following formula: $IG = 2J_{12}/(J_1+J_2)$, where
198 J_{12} = interspecific genetic identity and J_1, J_2 = intraspecific genetic identities. An IG score equal
199 to zero indicates total absence of introgression between the two examined demes, whereas
200 an IG score equal to one means that all the variation is shared between them.

201 Finally, it was aimed to investigate the spatial pattern of haplotypic differentiation. It has
202 been repeatedly shown that the spatial distribution of chloroplast DNA variation in oaks is
203 discontinuous (e.g. Petit et al., 2002a; Grivet et al., 2006; Neophytou et al., 2011). Thus, it
204 was sought to identify differentiated groups and to set significant barriers between highly
205 differentiated groups of populations. For this purpose, a Spatial Analysis of Molecular
206 Variance (SAMOVA, Dupanloup et al., 2002) was employed to define geographically
207 homogenous groups of populations, which show maximum genetic differentiation from each
208 other. To do so, the SAMOVA algorithm was used to maximize the value of differentiation
209 among groups (F_{CT}). The predefined number K of such groups was set from 1 to 10. 10,000
210 iterations for each K were run for each of 100 simulated annealing processes. Subsequently,
211 F_{CT} values among different K configurations were compared, in order to choose the optimal
212 group number (K). On the one hand, the highest F_{CT} represents the optimal configuration. On
213 the other hand, higher K configurations with single population groups cannot provide the
214 group structure (Heuertz et al., 2004). Thus, among all K values without single population
215 groups, the K value resulting in the highest F_{CT} was chosen as the optimal clustering solution.
216 Both SAMOVA and Barrier Analysis were carried out (1) by treating all species as a single
217 gene pool and (2) by examining *Q. robur* and *Q. petraea* separately (the sampling size of *Q.*
218 *pubescens* was not sufficient in order to carry out a meaningful separate analysis). Finally, a
219 G-test of independence (Sokal and Rohlf, 1995; pp. 738-739) was carried out in order to test

220 the null hypothesis of genetic homogeneity (in terms of SAMOVA group assignment) across
221 biogeographical subregions (definition in Table 1).

222 **3. RESULTS**

223 **3.1. Chlorotype designation and phylogenetic relationships**

224 All analyzed chloroplast microsatellite loci were variable possessing 2, 3 or 4 different alleles
225 each. Different combinations of these allelic variants resulted in 19 chlorotypes in total
226 (Table 2). Among them, four were restricted to refugial areas and were thus given a distinct
227 designation (chlorotypes 21-24), whilst chlorotypes found in the Upper Rhine Valley were
228 designated with numbers 1 to 15. Analysis of DNA samples possessing a known chlorotype
229 based on an analysis of Restriction Fragment Length Polymorphisms (RFLP; data presented
230 in Petit et al., 2002a) led to assignment of them to the cpSSR chlorotypes described in the
231 current study. In particular, RFLP derived chlorotypes 7 and 5, belonging to the 'Balkan'
232 maternal lineage A (according to Petit et al., 2002a) were assigned to the cpSSR based
233 chlorotypes 6 and 8 respectively. Regarding the 'Iberian' lineage B, RFLP based chlorotypes
234 10 and 11 were both assigned to chlorotype 12 of the present study. A one by one
235 assignment could be made for the RFLP derived chlorotype 12, which corresponded to the
236 chlorotype 13 of this study. Finally, chlorotype RFLP based chlorotype 1 of the 'Italian'
237 lineage C could be matched to chlorotype 9 of the present study (Table 2).

238 The five aforementioned cpSSR haplotypes (6, 8, 9, 12 and 13) were among the most
239 common in the Upper Rhine Valley. In particular, chlorotype 6 was the most prevalent in the
240 region with a frequency of over 45% in each species (Table 3). This chlorotype was also
241 highly frequent in the four Balkan populations and was absent from the four Iberian
242 populations of this study, thus providing further support of its Balkan origin. The second
243 most frequent chlorotype in the Upper Rhine was chlorotype 9 with a frequency of at least
244 30% in each species. Among the refugial populations, it was also found in the Italian
245 populations, which is in accordance with its assignment to lineage C. Chlorotype 12 was the
246 third most common in the Upper Rhine, occurring with frequencies of around 10% in *Q.*
247 *robur* and *Q. petraea*. It was also found in the Iberian populations, supporting its inclusion to
248 the lineage B. The remaining chlorotypes presented lower frequencies (Table 3). Chlorotype
249 frequency data for each stand are given as supporting information (Supplementary data in
250 electronic version; Table S2).

251 Analysis of the phylogenetic relationships by means of a Minimum Spanning Tree (Fig. 1)
252 allowed separation of the main maternal lineages, as these had been described in Petit et al.
253 (2002a). Chlorotypes 3, 12, 13, 15, as well as the strictly refugial 23 and 24 formed a
254 separate cluster. Given their geographic distribution, they were assigned to the lineage B,
255 with an Iberian refugial origin and a western to central European distribution (Petit et al.,
256 2002a). Chlorotypes 1, 2, 5, 9 and 10 also clustered together. Evidence from the reference
257 samples and from the refugial populations, as well as consideration of the Lineage C
258 geographic distribution (Italy to Scandinavia; Petit et al., 2002a), supports their assignment
259 to this lineage. Similarly, an inclusion of chlorotypes 4, 6, 7, 8, 11 and 14 to lineage A is
260 suggested by the data. Finally, chlorotypes 21 and 22, found exclusively in Balkan and Italian
261 refugial populations, formed a distinct cluster, separated by three mutational steps from
262 other chlorotypes of lineage A. This suggests its inclusion to lineage E, which is widespread
263 from Italy to Russia and is absent from Middle Europe.

264 **3.2. Haplotypic variation and interspecific introgression**

265 Computation of diversity measures indicated a lower within-stand (h_s) than overall
266 haplotypic variation (h_T) for all species (Table 4). This indicates that stands tend to be
267 relatively homogenous, but differ from each other regarding their haplotypic composition.
268 This was also reflected into the high values of differentiation measures. R_{ST} was higher than
269 G_{ST} suggesting phylogeographic structure, but this difference was not significant, as revealed
270 by the permutation test for phylogenetic structure. However, when species were split to
271 stands less than 70 and over 100 years old, phylogenetic structure was significant in the
272 second group for *Q. petraea*. Moreover, probability value of the test was relatively high ($P =$
273 0.935) when this was performed based on all populations and without taking species into
274 consideration (Table 4). No significant pairwise differences of diversity were found between
275 population groups belonging to different biogeographical subregions, either within or across
276 species. By comparing all 53 *Q. robur* populations with all 31 of *Q. petraea*, we found a
277 significantly higher haplotypic variation in the former species ($z = 0.2317$, $P = 0.010$).
278 Furthermore, significant differences of h_s values were observed between age classes in *Q.*
279 *robur*. In particular, the young age class (up to 70 years) measuring $h_s = 0.495$ was
280 significantly more diverse from the stands older than 100 years in *Q. robur*, which showed a
281 value of $h_s = 0.203$ ($z = 3.0869$, $P = 0.001$). Given that the differences between the age
282 classes of 100-130 and 130-200 were very limited and non-significant in either species, we

283 pooled these two groups into one group consisting of stands older than 100 years.
284 Differences among age classes were non-significant in *Q. petraea* ($U = 140.0$, $P = 0.211$).

285 A high degree of chlorotype sharing among the three species was highlighted by the Analysis
286 of Molecular Variance (AMOVA). The analysis revealed minimal (F_{CT} was effectively equal to
287 zero) and non-significant differentiation due to partition into species groups (Table 5). On
288 the contrary, subdivision into different populations within species was a highly significant F_{SC}
289 value equal to 0.638, accounting for 63.80 % of the total molecular variance. Variation
290 within populations was also highly significant ($F_{ST} = 0.630$) and corresponded to 36.20 % of
291 the total molecular variance. The high degree of interspecific chlorotype sharing was also
292 shown by elevated introgression ratios (IG), which almost approached the maximum value
293 of 1.0. In particular, IG value was 0.987 between *Q. robur* and *Q. petraea*, 0.965 between *Q.*
294 *robur* and *Q. pubescens* and 0.940 between *Q. petraea* and *Q. pubescens*.

295 By presenting frequency data from each population on a map, a distinctive geographic
296 pattern of the different lineages was observed. This spatial pattern was shared among the
297 species (Fig. 2). In particular, chlorotype 6 (Balkan lineage A) was prevalent in most stands
298 over a large area in the middle of the Upper Rhine Valley. Chlorotype 9 (Italian lineage C)
299 was highly frequent in the northern part of the study area, starting from the outskirts of
300 Karlsruhe and reaching stands close to Mannheim. It was also dominant in the southern part
301 of the Upper Rhine Valley, in areas between Freiburg and Basel (Switzerland). In both cases,
302 an admixture of other chlorotypes (mainly chlorotype 6) could be observed. Chlorotype 12
303 (Iberian lineage B) was dominant in the north-western part of the study area, at the
304 piedmont of the Vosges. No admixture of other chlorotypes could be observed in the
305 sampled stands. Chlorotypes 8 (lineage A) and 15 (lineage B) presented a more restricted
306 distribution. Chlorotype 8 was confined to two stands in the middle of the study area, while
307 chlorotype 15 was present in four oak stands between Offenburg and Karlsruhe.

308 **3.3. Spatial genetic structures**

309 The results of the Spatial Analysis of Molecular Variance (SAMOVA) reflected the
310 aforementioned spatial structure. The optimal number of groups varied from 3 to 5,
311 depending on the analysis configuration. Without considering species identity, application of
312 the SAMOVA algorithm resulted in four groups with very high and significant genetic
313 differentiation ($F_{CT} = 0.598$, $P = 0.001$). By carrying out the analysis only in *Q. robur*, the
314 optimal number of groups was 5 ($F_{CT} = 0.510$, $P = 0.001$), while in *Q. petraea* it was 3 ($F_{CT} =$

315 0.749, $P = 0.001$). In all cases, three population groups with a consistent haplotypic
316 composition and geographic distribution were revealed. First, one group with high frequency
317 of the Italian chlorotype 9 and discontinuous distribution including the northernmost and
318 the southernmost populations was identified (Group 1 in Fig. 3). A second group
319 corresponded to the central populations where the Balkan chlorotype 6 was prevalent
320 (Group 2 in Fig. 3). A third group included populations with chlorotype 12 in the northwest
321 (Group 3 in Fig. 3). When analyzing all three species without taking their taxonomic identity
322 into account an additional small group (Group 4 in Fig. 3) was observed. This group included
323 two *Q. robur* populations dominated by chlorotype 15 of the Iberian maternal lineage. The
324 same observation was made when *Q. robur* was treated separately. Finally, a fifth group –
325 also consisting of two populations – was observed only in *Q. robur*. This was characterized by
326 the presence of chlorotype 8. Details about frequency distribution of chlorotypes within
327 each one of the derived groups are given in Table 6.

328 With respect to site conditions, a heterogeneous frequency distribution of SAMOVA groups
329 among different biogeographic subregions was observed (Table 7). In particular, most of the
330 stands assigned to the SAMOVA group 1 occurred on Early Pleistocene plains and dunes. On
331 the contrary, most stands of the SAMOVA group 2 occurred on Late Pleistocene plains and
332 Holocene floodplains. These frequency differences of the two SAMOVA groups among
333 biogeographic subregions was highly significant ($G_{adj} = 33.02$, $P < 0.001$). Due to the limited
334 sample size, SAMOVA groups 3 and 4 were not treated by means of a G-test of
335 independence.

336 **4. DISCUSSION**

337 **4.1. Upper Rhine Valley, a crossroads of oak post-glacial migration**

338 Based on chloroplast microsatellite variation, we performed a detailed phylogeographic
339 analysis of the indigenous oak species in the Upper Rhine Valley. The used marker set was
340 adequate to differentiate chlorotypes and maternal lineages occurring in the region. We
341 could assign the most common chlorotypes of our study to those found in previous large
342 scale studies, based on the RFLP technique, and we could resolve the three maternal
343 lineages – A, B and C according to Petit et al. (2002a) – originating from the three glacial
344 refugia of the European continent (Balkan, Iberian and Italian Peninsula). Two additional
345 chlorotypes found in Balkan refugial populations of the present study were well
346 differentiated and may belong to the lineage E, which is restricted to south-eastern Europe
347 and the Italian Peninsula. Along with lineage D, which occurs only in the Iberian Peninsula,

348 this lineage seems not to be involved in post-glacial migration in the Upper Rhine Valley and
349 the western part of Central Europe in general (Petit et al., 2002a). Maternal lineages A, B
350 and C were represented by several chlorotypes in our study area, showing that extant
351 populations originate from all three refugia. The Upper Rhine Valley appears to be a hot-
352 spot of chloroplast DNA diversity for the European white oaks and a crossroads of post-ice-
353 age recolonization pathways.

354 Contemporary spatial distribution of chlorotypes in the Upper Rhine fits large scale patterns
355 across Europe. In particular, a continuous occurrence of chlorotype 6 of the Balkan lineage A
356 (chlorotype 7 according to Petit et al., 2002a) in the central part of our study between
357 Haguenau (northern Alsace) and Freiburg (southern Baden) supports that this area was a
358 part of a south-westward recolonization pathway of this chlorotype along a zone north of
359 the Alps. Such a migration route is highly supported by large scale data (Petit et al., 2002a).
360 The Vosges, dominated by chlorotype 12 (corresponding to chlorotypes 10 or 11 of the
361 Iberian lineage B, according to Petit et al., 2002a), should have posed an obstacle to a
362 further migration of chlorotype 6 towards northwest. Furthermore, the distribution of
363 chlorotype 9 (chlorotype 1 according to Petit et al., 2002a) of the Italian lineage C in our
364 study area is in concordance with its broader distribution beginning from the Apennine
365 Mountains in the South and reaching the Scandinavian Peninsula in the North (Petit et al.,
366 2002a). Its discontinuous distribution in our area may be due to its delayed arrival in the
367 area. Indeed, pollen analyses support that oaks were able to cross the Alps only during the
368 Atlantic period (7500-5000 years BP) under favourable climatic conditions (Brewer et al.
369 2002). Thus, oaks with chlorotype 9 could only establish themselves in gaps, which had not
370 been filled during the earlier migration of lineage A.

371 **4.2. Convergence of post-glacial migration pathways results in high genetic variation of** 372 **chloroplast DNA**

373 The complex Holocene migration history of the oaks in the Upper Rhine Valley and
374 particularly the admixture of different maternal lineages might have largely determined
375 chloroplast DNA diversity levels of the Upper Rhine oak forests. A particularly high within
376 population diversity was found in *Q. robur* with h_s reaching the value of 0.346 (measurement
377 based on 53 populations). This is remarkably higher than the value of 0.183 found in *Q.*
378 *robur* in the pan-European study of Petit et al. (2002a) which included 2600 populations. It is
379 also higher than the respective values found for this species in various studies at the regional
380 scale. For instance, König et al. (2002) measured an h_s value of 0.239 across Central Europe

381 (231 populations), Olalde et al. (2002) measured an h_s value of 0.205 across the Iberian
382 Peninsula (37 populations), while Petit et al. (2002c) found an h_s equal to 0.177 across
383 France (286 populations). Diversity (h_s) values for *Q. robur* measured in the British Isles (h_s =
384 0.224 based on 89 populations; Cottrell et al., 2002), the Northwestern Balkans (h_s = 0.233
385 based on 88 populations; Bordács et al., 2002) and the Northeastern Balkans (h_s = 0.196
386 based on 26 populations; Moldovan et al., 2010) were also lower than the value observed in
387 the Upper Rhine Valley in the present study. In *Q. petraea*, genetic variation within stands
388 was also relatively high (h_s = 0.162). Among all previously cited studies, only König *et al.*
389 (2002) reported a slightly higher h_s value (h_s = 0.164 based on 172 populations across
390 Central Europe). All other studies measured values between 0.088 and 0.156. Due to limited
391 sampling and the marginal distribution of *Q. pubescens* in the region, results of the present
392 study about within stand variation of this species are not conclusive.

393 The intermixing of different chlorotypes due to the meeting of several different migration
394 routes might have also resulted in looser genetic structures. Although a broad scale
395 geographic pattern can be recognized, G_{ST} values were low in comparison to other studies
396 and phylogeographic structure was non-significant, with the exception *Q. petraea* stands
397 older than 100 years. A lack of significant phylogeographic structure in the European white
398 oaks has been reported by other studies as well (Grivet et al., 2006). On the contrary,
399 chloroplast DNA of oaks from regions with Mediterranean climate and at refugial sites in
400 general displays a more pronounced phylogeographic structure. Unlike Central Europe, oaks
401 in the Mediterranean (and other regions with Mediterranean climate like California)
402 persisted in multiple refugia resulting in an *in-situ* differentiation of cpDNA during the ice
403 age and probably throughout the Quaternary. This might have finally resulted in patchy
404 distribution and significant phylogeographic structure with well differentiated lineages
405 occurring relatively close to each other and a remarkably higher total chlorotypic variation
406 (Grivet et al., 2006; López de Heredia et al., 2007; Neophytou et al., 2011). In contrast, the
407 recent recolonization of central Europe by a limited number of chlorotypes, as well as
408 intermixing during this procedure might have contributed to a wide-scale spatial pattern and
409 the lack of phylogeographic structure.

410 **4.3. Genetic variation differences among species reflect their distinctive ecological** 411 **characteristics**

412 Ecological and physiological differences between *Q. robur* and *Q. petraea* probably resulted
413 in the higher genetic variation within stands of the former species. First, compared to *Q.*

414 *petraea*, *Q. robur* produces larger amounts of acorns and these are preferentially collected
415 and cached by jays (Jones 1959; Bossema, 1979; Ducouso et al., 1993; Petit et al., 2004),
416 thus intensifying seed mediated gene flow at the regional scale. Second, *Q. robur* displays a
417 more pronounced pioneer character forming less dense forests and, in later successional
418 stages, it can be replaced by more competitive tree species including the more shade
419 tolerant *Q. petraea* (Oberdorfer, 1992; Ducouso et al., 1993; Aas, 2008a,b). In contrast, *Q.*
420 *petraea* forms more closed forest stands which persist for a longer time during succession,
421 preventing external influx of genetic variants. The ecological behaviour of *Q. robur* is likely to
422 have enhanced seed mediated gene flow within species, since *Q. robur* might have been
423 more often involved to colonization of empty or disturbed sites. Along with the present
424 study, results from the literature fully support this hypothesis (Reif & Gärtner 2004). Genetic
425 investigations based on cpDNA haplotypic variation have shown a generally higher within-
426 stand variation in *Q. robur* than in *Q. petraea* across their distribution range. This has been
427 the case whether genetic variation has been measured across Europe (Petit et al., 2002a) or
428 separately at the regional level (König et al., 2002; Olalde et al., 2002; Petit et al., 2002b;
429 Cottrell et al., 2002; Bordács et al., 2002). Moreover, consistently lower differentiation
430 among stands of *Q. robur* has been reported, as a result of more intensive seed mediated
431 gene flow in this species, which is also confirmed by our study ($G_{ST} = 0.486$ in *Q. robur* vs.
432 0.769 in *Q. petraea*). The significant phylogeographic structure found in the old *Q. petraea*
433 stands, which are more likely of natural origin, is in agreement with the aforementioned
434 hypothesis.

435 Despite the diversity differences between *Q. robur* and *Q. petraea*, all three indigenous oak
436 species of the Upper Rhine Valley show a high degree of chloroplast DNA sharing. Besides
437 the high introgression ratios between all species pairs, broad scale genetic structures are
438 common among all three study species. This pattern is frequent among related oak species
439 within sections (e.g. Petit et al., 2002b; Lumaret and Jabbour-Zahab, 2009; Gugger and
440 Cavender-Bares, 2011; Neophytou et al., 2011) and has been attributed to historical
441 hybridization and successive backcrossings. Direct evidence of hybridization events among
442 all three study species has been provided through paternity analyses (Streiff et al., 1999;
443 Curtu et al., 2009; Salvini et al., 2009) and large scale cpDNA variation is shared among white
444 oaks in Europe (König et al., 2002; Olalde et al., 2002; Petit et al., 2002c; Cottrell et al., 2002;
445 Bordács et al., 2002). Thus, we argue that past introgressive hybridization involving all three
446 study species accounts for the observed cpDNA sharing in the Upper Rhine Valley.

447 **4.4. Coincidence of site condition differentiation and genetic variation may reflect a**
448 **stepwise migration, but also early human land use**

449 Interestingly, there is a remarkable difference of site conditions between lowland areas
450 occupied by the 'Balkan' chlorotype 6 and those occupied by the 'Italian' chlorotype 9 in our
451 study. The former can be mostly found on periodically flooded Late Pleistocene plains and
452 Holocene plains, while the latter is rather distributed on well drained soils of Early
453 Pleistocene plains and dunes. This leads to the hypothesis that these two distinct
454 biogeographical subregions were colonized in two different recolonization waves and
455 possibly by different species, even if subsequent introgression has led to a compensation of
456 chlorotype frequencies among species. It is likely that *Q. robur*, being more pioneer and
457 flood-tolerant, first colonized the floodplains during the Early Holocene originating from the
458 east. It is also possible that *Q. petraea* also emerged during this period and partly replaced
459 *Q. robur* through pollen swamping, leading to introgression of cpDNA haplotypes from *Q.*
460 *robur* into *Q. petraea*. Later on, probably during the Atlantic period (7500-5000 years BP),
461 characterized by a climate warmer than today, conditions on the well drained Early
462 Pleistocene plains and dunes were favourable for a wide dispersion of *Q. pubescens*. It is
463 possible that the northward recolonization wave, comprising the 'Italian' chlorotype 9, was
464 mainly formed by this species. Petit et al. (2002b) also support this hypothesis, based on
465 cpDNA data from Switzerland. Onset of cooler climate during the Subboreal (5000-2500
466 years BP) should then have led to contraction and introgression of *Q. pubescens* forests by
467 other oak species, probably *Q. petraea*, which frequently hybridizes with *Q. pubescens*
468 (Curtu et al., 2009; Salvini et al. 2009). However, introgression might have also taken place in
469 the opposite direction, since chlorotypes 6 and 9 are almost equally represented in *Q.*
470 *pubescens*.

471 Human activities, which have been intensive in our study area for at least 7500 years
472 (Küster, 1996; Lang et al., 2003; Zolitschka et al., 2003; Houben et al., 2006), may have
473 additionally influenced oak genetic variation. Each biogeographical subregion offered
474 different suitability for agricultural use with non-flooded Early Pleistocene plains and dunes
475 being the most suitable for such activities. This has resulted in different histories of
476 deforestation and reforestation since the Neolithic Age in each one of the biogeographic
477 subregions. These fluctuations in land-use may have also influenced the succession of
478 colonization or recolonization of areas by oaks, having an additional contribution to the high
479 haplotypic differentiation among biogeographic subregions.

480 **4.5. Intensification of human mediated seed transfer likely accounts for significantly higher**
481 **genetic variation within young *Q. robur* stands**

482 Furthermore, seed and seedling transfer have possibly resulted in an increase of
483 intrapopulation variation and a decrease of interpopulation differentiation. Such an impact
484 might have been stronger on *Q. robur* stands, in comparison with *Q. petraea*. First, *Q. robur*
485 is spread in the lowland regions where land use, resulting in deforestations and
486 reforestations, has been more intensive over a long time span. Second, it is more likely that
487 *Q. robur* populations are artificially established using allochthonous seed material. König et
488 al. (2002) found that among 181 *Q. robur* stands included in their study in Germany only
489 42% were classified as autochthonous. The respective percentage in *Q. petraea* was 82%.
490 Even today, plantation is the major means of regeneration in this species, while natural
491 regeneration is more frequent in *Q. petraea*. Finally, seed transfers over long distances
492 throughout Europe since the development of rail network during the 19th century mostly
493 involved *Q. robur*, including the introduction of the superb Slavonian oak (*Q. robur* var.
494 *slavonica*, Gailing et al., 2007). In our region, it seems that medium and long distance seed
495 and seedling transfer has been more intensive after the Second World War, obviously due to
496 the improved transportation abilities. Half of our *Q. robur* study stands (26 stands) were
497 established in the last six decades, while the remaining 27 stands have an age of at least 100
498 years. The former displayed significantly higher haplotypic diversity, which is supportive of
499 this hypothesis.

500 **4.6. Conclusions, recommendations for forest management**

501 The high genetic diversity of the indigenous oak forests of the Upper Rhine Valley described
502 in this study highlights the necessity of their conservation. We have shown that extant
503 forests carry the imprints of migration events that took place up to 10,000 years ago. Since
504 their initial recolonization, their broad scale spatial genetic structure in terms of chloroplast
505 DNA has not changed drastically. This provides evidence that the majority of modern oak
506 forests in the Upper Rhine are autochthonous. During their long presence in the region
507 throughout the Holocene, oaks have undergone several ecological changes and have been
508 able to adapt over a large number of generations. Thus, it is crucial to conserve this genetic
509 diversity, which reflects a complex evolutionary history and suggests that extant forests are
510 well adapted to their sites. Besides conservation, results of the present study may also serve
511 forest management. By defining geographic areas with distinctive chloroplast DNA variation
512 patterns we provide a useful tool for this purpose. A comparison to the broad geographic

513 pattern should provide clues, whether a forest stand is indigenous. Finally, a cost-efficient
514 molecular method (based on cpSSRs instead on RFLPs) has been described, which can be
515 used for controlling the origin and transfer of reproductive material. By documenting the
516 genetic identity of seed producing trees, it is possible to detect if reproductive material is of
517 the same origin as declared by the vendor.

518 **ACKNOWLEDGMENTS**

519 The current study has been conducted in the frame of the Interreg-IV project “The
520 regeneration of the oaks in the Upper Rhine lowlands”, funded by the European Regional
521 Development Fund (ERDF), the regional government authority of Baden-Württemberg in
522 Freiburg (Regierungspräsidium Freiburg; RPF), the National Office of Forests (Office National
523 des Forêts; ONF) in France and the Regional Directory of Food, Agriculture and Forestry of
524 Alsace (Direction Régionale de l'Alimentation, de l'Agriculture et de la Forêt d'Alsace;
525 DRAAF). We express our gratitude to all the colleagues of the ONF, RPF and the FVA who
526 worked for sample collections and laboratory analyses. Finally, we would like to thank Iñaki
527 San Vicente and Marco Cosimo Simeone for providing the oak samples from Spain and Italy
528 respectively.

529 **REFERENCE LIST**

- 530 Aas, G., 2008a. *Quercus robur* L., 1753, in: Enzyklopädie Der Holzgewächse. Wiley-VCH,
531 Weinheim, Germany, pp. 1–14.
- 532 Aas, G., 2008b. *Quercus petraea* Mattuschka (Lieblein), 1784, in: Enzyklopädie Der
533 Holzgewächse. Wiley-VCH, Weinheim, Germany, pp. 1–16.
- 534 Belahbib, N., Pemonge, M.H., Ouassou, A., Sbay, H., Kremer, A., Petit, R.J., 2001. Frequent
535 cytoplasmic exchanges between oak species that are not closely related: *Quercus*
536 *suber* and *Q. ilex* in Morocco. *Molecular Ecology* 10, 2003–2012.
- 537 Bordács, S., Popescu, F., Slade, D., Csaikl, U.M., Lesur, I., Borovics, A., Kézdy, P., König, A.O.,
538 Gömöry, D., Brewer, S., others, 2002. Chloroplast DNA variation of white oaks in
539 northern Balkans and in the Carpathian Basin. *Forest Ecology and Management* 156,
540 197–209.
- 541 Bossema, I., 1979. Jays and oaks: an eco-ethological study of a symbiosis. *Behaviour* 1–117.

542 Brewer, S., Cheddadi, R., De Beaulieu, J.L., Reille, M., 2002. The spread of deciduous *Quercus*
543 throughout Europe since the last glacial period. *Forest Ecology and Management*
544 156, 27–48.

545 Bussotti, F., 2008. *Quercus pubescens* Willd., 1796, in: *Enzyklopädie Der Holzgewächse*.
546 Wiley-VCH, Weinheim, Germany, pp. 1–16.

547 Cottrell, J.E., Munro, R.C., Tabbener, H.E., Gillies, A.C.M., Forrest, G.I., Deans, J.D., Lowe, A.J.,
548 2002. Distribution of chloroplast DNA variation in British oaks (*Quercus robur* and *Q.*
549 *petraea*): the influence of postglacial colonisation and human management. *Forest*
550 *Ecology and Management* 156, 181–195.

551 Csaikl, U.M., Burg, K., Fineschi, S., König, A.O., Mátyás, G., Petit, R.J., 2002. Chloroplast DNA
552 variation of white oaks in the alpine region. *Forest Ecology and Management* 156,
553 131–145.

554 Curtu, A.L., Gailing, O., Finkeldey, R., 2009. Patterns of contemporary hybridization inferred
555 from paternity analysis in a four-oak-species forest. *BMC evolutionary biology* 9,
556 284.

557 Deguilloux, M.F., Dumolin-Lapègue, S., Gielly, L., Grivet, D., Petit, R.J., 2003. A set of primers
558 for the amplification of chloroplast microsatellites in *Quercus*. *Molecular Ecology*
559 *Notes* 3, 24–27.

560 Deguilloux, M.F., Pemonge, M.H., Petit, R.J., 2004. Use of chloroplast microsatellites to
561 differentiate oak populations. *Annals of forest science* 61, 825–830.

562 Denk, T., Grimm, G.W., 2010. The oaks of western Eurasia: Traditional classifications and
563 evidence from two nuclear markers. *Taxon* 59, 351–366.

564 Ducouso, A., Michaud, H., Lumaret, R., 1993. Reproduction and gene flow in the genus
565 *Quercus* L. *Annales des sciences forestières* 50, 91–106.

566 Dumolin-Lapègue, S., Demesure, B., Fineschi, S., Corre, V.L., Petit, R.J., 1997.
567 Phylogeographic structure of white oaks throughout the European continent.
568 *Genetics* 146, 1475–1487.

569 Dumolin-Lapègue, S., Kremer, A., Petit, R.J., 1999. Are chloroplast and mitochondrial DNA
570 variation species independent in oaks? *Evolution* 1406–1413.

571 Dupanloup, I., Schneider, S., Excoffier, L., 2002. A simulated annealing approach to define
572 the genetic structure of populations. *Molecular Ecology* 11, 2571–2581.

- 573 Ennos, R.A., 1994. Estimating the relative rates of pollen and seed migration among plant
574 populations. *Heredity* 72, 250–259.
- 575 Excoffier, L., 2003. Analysis of population subdivision. *Handbook of statistical genetics* 2,
576 713–750.
- 577 Excoffier, L., Lischer, H.E.L., 2010. Arlequin suite ver 3.5: a new series of programs to
578 perform population genetics analyses under Linux and Windows. *Molecular Ecology*
579 *Resources* 10, 564–567.
- 580 Excoffier, L., Smouse, P.E., Quattro, J.M., 1992. Analysis of molecular variance inferred from
581 metric distances among DNA haplotypes: application to human mitochondrial DNA
582 restriction data. *Genetics* 131, 479–491.
- 583 Gailing, O., Wachter, H., Schmitt, H., Curtu, A., Finkeldey, R., 2007. Characterization of
584 different provenances of Slavonian pedunculate oaks (*Quercus robur* L.) in
585 Munsterland (Germany) with chloroplast DNA markers: PCR-RFLPs and chloroplast
586 microsatellites. *Allgemeine Forst und Jagdzeitung* 178, 85.
- 587 Grivet, D., Deguilloux, M., Petit, R.J., Sork, V.L., 2006. Contrasting patterns of historical
588 colonization in white oaks (*Quercus* spp.) in California and Europe. *Molecular*
589 *Ecology* 15, 4085–4093.
- 590 Gugger, P.F., Cavender-Bares, J., 2011. Molecular and morphological support for a Florida
591 origin of the Cuban oak. *Journal of Biogeography*.
- 592 Heuertz, M., Fineschi, S., Anzidei, M., Pastorelli, R., Salvini, D., Paule, L., Frascaria-Lacoste, N.,
593 Hardy, O.J., Vekemans, X., Vendramin, G.G., 2004. Chloroplast DNA variation and
594 postglacial recolonization of common ash (*Fraxinus excelsior* L.) in Europe.
595 *Molecular Ecology* 13, 3437–3452.
- 596 Houben, P., Hoffmann, T., Zimmermann, A., Dikau, R., 2006. Land use and climatic impacts
597 on the Rhine system (RheinLUCIFS): Quantifying sediment fluxes and human impact
598 with available data. *Catena* 66, 42–52.
- 599 Jones, E.W., 1959. Biological flora of the British isles: *Quercus* L. *Journal of Ecology* 47, 169.
- 600 König, A.O., Ziegenhagen, B., Van Dam, B.C., Csaikl, U.M., Coart, E., Degen, B., Burg, K., De
601 Vries, S.M.G., Petit, R.-J., 2002. Chloroplast DNA variation of oaks in western Central
602 Europe and genetic consequences of human influences. *Forest Ecology and*
603 *Management* 156, 147–166.

- 604 Kremer, A., Petit, R., 1993. Gene diversity in natural populations of oak species. *Annales des*
605 *sciences forestières* 50, 186s–202s.
- 606 Küster, H., 1996. Auswirkungen von Klimaschwankungen und menschlicher
607 Landschaftsnutzung auf die Arealverschiebung von Pflanzen und die Ausbildung
608 mitteleuropäischer Wälder. *Forstwissenschaftliches Centralblatt* 115, 301–320.
- 609 Lang, A., Niller, H.P., Rind, M.M., 2003. Land degradation in Bronze Age Germany:
610 Archaeological, pedological, and chronometrical evidence from a hilltop settlement
611 on the Frauenberg, Niederbayern. *Geoarchaeology* 18, 757–778.
- 612 López de Heredia, U., Carrión, J.S., Jiménez, P., Collada, C., Gil, L., 2007. Molecular and
613 palaeoecological evidence for multiple glacial refugia for evergreen oaks on the
614 Iberian Peninsula. *Journal of Biogeography* 34, 1505–1517.
- 615 Lumaret, R., Jabbour-Zahab, R., 2009. Ancient and current gene flow between two distantly
616 related Mediterranean oak species, *Quercus suber* and *Q. ilex*. *Annals of botany* 104,
617 725–736.
- 618 Lynch, M., Crease, T.J., 1990. The analysis of population survey data on DNA sequence
619 variation. *Molecular Biology and Evolution* 7, 377–394.
- 620 Moldovan, I.C., Şofletea, N., 2010. Chloroplast DNA diversity of oak species in Eastern
621 Romania. *Notulae Botanicae Horti Agrobotanici Cluj-Napoca* 38, 302–307.
- 622 Neophytou, C., Dounavi, A., Fink, S., Aravanopoulos, F., 2011. Interfertile oaks in an island
623 environment: I. High nuclear genetic differentiation and high degree of chloroplast
624 DNA sharing between *Q. alnifolia* and *Q. coccifera* in Cyprus. A multipopulation
625 study. *European Journal of Forest Research* 130, 543–555.
- 626 Oberdorfer, E., 1992. *Süddeutsche Pflanzengesellschaften Band IV (Wälder und Gebüsche)*.
627 Fischer-Verlag, Stuttgart 862.
- 628 Olalde, M., Herrán, A., Espinel, S., Goicoechea, P.G., 2002. White oaks phylogeography in the
629 Iberian Peninsula. *Forest Ecology and Management* 156, 89–102.
- 630 Petit, R.J., Bodénès, C., Ducouso, A., Roussel, G., Kremer, A., 2004. Hybridization as a
631 mechanism of invasion in oaks. *New Phytologist* 161, 151–164.
- 632 Petit, R.J., Brewer, S., Bordács, S., Burg, K., Cheddadi, R., Coart, E., Cottrell, J., Csaikl, U.M.,
633 Van Dam, B., Deans, J.D., others, 2002a. Identification of refugia and post-glacial

634 colonisation routes of European white oaks based on chloroplast DNA and fossil
635 pollen evidence. *Forest Ecology and Management* 156, 49–74.

636 Petit, R.J., Csaikl, U.M., Bordács, S., Burg, K., Coart, E., Cottrell, J., Van Dam, B., Deans, J.D.,
637 Dumolin-Lapègue, S., Fineschi, S., others, 2002b. Chloroplast DNA variation in
638 European white oaks: Phylogeography and patterns of diversity based on data from
639 over 2600 populations. *Forest Ecology and Management* 156, 5–26.

640 Petit, R.J., Kremer, A., Wagner, D.B., 1993. Geographic structure of chloroplast DNA
641 polymorphisms in European oaks. *Theoret. Appl. Genetics* 87, 122–128.

642 Petit, R.J., Latouche-Hallé, C., Pemonge, M.H., Kremer, A., 2002c. Chloroplast DNA variation
643 of oaks in France and the influence of forest fragmentation on genetic diversity.
644 *Forest Ecology and Management* 156, 115–129.

645 Pons, O., Petit, R.J., 1996. Measuring and testing genetic differentiation with ordered versus
646 unordered alleles. *Genetics* 144, 1237–1245.

647 Reif, A., Gärtner, S., 2007. Die natürliche Verjüngung der laubabwerfenden Eichenarten
648 Stieleiche (*Quercus robur* L.) und Traubeneiche (*Quercus petraea* Liebl.)—eine
649 Literaturstudie mit besonderer Berücksichtigung der Waldweide. *Waldökologie*
650 *online* 5, 79–116.

651 Salvini, D., Bruschi, P., Fineschi, S., Grossoni, P., Kj\ær, E.D., Vendramin, G.G., 2009. Natural
652 hybridisation between *Quercus petraea* (Matt.) Liebl. and *Quercus pubescens* Willd.
653 within an Italian stand as revealed by microsatellite fingerprinting. *Plant Biology* 11,
654 758–765.

655 Slade, D., Skvorc, Z., Ballian, D., Gracan, J., Papes, D., 2008. The chloroplast DNA
656 polymorphisms of White Oaks of section *Quercus* in the Central Balkans. *Silvae*
657 *Genetica* 57, 4–5.

658 Sokal, R.R., Rohlf, F.J., 1995. *Biometry* (3rd edn). WH Freeman & Company, New York.

659 Streiff, R., Ducouso, A., Lexer, C., Steinkellner, H., Gloessl, J., Kremer, A., 1999. Pollen
660 dispersal inferred from paternity analysis in a mixed oak stand of *Quercus robur* L.
661 and *Q. petraea*(Matt.) Liebl. *Molecular Ecology* 8, 831–841.

662 Teacher, A.G.F., Griffiths, D.J., 2011. HapStar: automated haplotype network layout and
663 visualization. *Molecular Ecology Resources* 11, 151–153.

- 664 Weising, K., Gardner, R.C., others, 1999. A set of conserved PCR primers for the analysis of
665 simple sequence repeat polymorphisms in chloroplast genomes of dicotyledonous
666 angiosperms. *Genome* 42, 9.
- 667 Zolitschka, B., Behre, K.E., Schneider, J., 2003. Human and climatic impact on the
668 environment as derived from colluvial, fluvial and lacustrine archives—examples from
669 the Bronze Age to the migration period, Germany. *Quaternary Science Reviews* 22,
670 81–100.

TABLES

Table 1 – Characteristics of the main biogeographical subregions of the Upper Rhine Valley

	Late Pleistocene plains and Holocene floodplains	Early Pleistocene plains and dunes (Hardtwaldungen)	Vosges and Black Forest foothills
Prevalent soil types	sand or gravel	sand	various, frequently rocky soils
Groundwater level	shallow	deep or absent	absent
Flooding events	Frequent, at least until the 19 th century	none	none
Suitability to human settlement	low	high	medium

Table 2 – Description of the chlorotypes (chloroplast haplotypes) found and comparison to RFLP based haplotypes according to previous wide scale studies (Petit *et al.* 2002). Chlorotypes were defined as different allelic combinations among the analyzed markers. Chlorotypes from the Upper Rhine were given the designation numbers 1-15 and chlorotypes found only in refugial sites were given the designation numbers 21-24.

Chlorotype	ccmp2	ccmp6	ccmp10	μ cd4	μ cd5	μ dt1	μ dt3	μ dt4	μ kk3	μ kk4	Correspondent haplotype from Petit <i>et al.</i> (2002)
1	234	101	110	92	77	79	122	144	102	114	
2	234	101	110	93	77	79	122	144	102	114	
3	234	101	110	94	78	80	122	142	102	113	
4	234	101	111	93	77	79	122	143	102	113	
5	234	101	111	93	77	79	122	144	102	114	
6	234	101	111	93	77	79	123	143	102	113	7 (lineage A)
7	234	101	111	93	78	79	123	143	102	113	
8	234	101	111	94	77	78	123	143	102	113	5 (lineage A)
9	234	101	111	94	77	79	122	144	102	114	1 (lineage C)
10	234	101	111	94	78	79	122	144	102	114	
11	234	101	111	94	78	79	123	143	102	113	
12	235	101	110	94	78	80	122	142	102	113	10/11 (lineage B)
13	235	101	110	94	78	81	122	142	102	113	12 (lineage B)
14	235	101	111	93	77	79	123	143	102	113	
15	235	102	110	94	78	80	122	142	102	113	
21	234	101	111	92	77	80	121	142	102	113	
22	234	101	111	94	77	80	121	142	103	113	
23	235	101	110	94	79	81	122	142	102	113	
24	235	101	110	95	78	80	122	142	102	113	

Table 3 – Relative chlorotype frequencies in the Upper Rhine (pro species) and in refugial populations (pooled white oak species). N_{ind} = number of individuals, N_{pop} = number of populations.

Chlorotype	Upper Rhine populations			Refugial populations		
	<i>Quercus robur</i>	<i>Quercus petraea</i>	<i>Quercus pubescens</i>	Iberian populations	Italian populations	Balkan populations
	$N_{ind} = 314,$ $N_{pop} = 63$	$N_{ind} = 214,$ $N_{pop} = 39$	$N_{ind} = 90,$ $N_{pop} = 6$	$N_{ind} = 32,$ $N_{pop} = 4$	$N_{ind} = 15,$ $N_{pop} = 3$	$N_{ind} = 24,$ $N_{pop} = 4$
1	0,64%	0,93%	-	-	26,67%	-
2	-	0,47%	-	-	26,67%	-
3	-	0,47%	-	-	-	-
4	0,32%	0,47%	-	-	-	-
5	0,32%	-	-	-	-	-
6	45,86%	46,73%	51,11%	-	6,67%	54,17%
7	0,32%	1,87%	-	-	-	-
8	1,27%	-	-	-	-	-
9	33,76%	30,37%	46,67%	-	26,67%	-
10	0,32%	1,87%	-	-	-	-
11	-	0,47%	-	-	-	-
12	8,92%	14,95%	1,11%	3,13%	-	-
13	4,14%	0,47%	1,11%	78,13%	-	-
14	-	0,93%	-	-	-	-
15	4,14%	-	-	-	-	-
21	-	-	-	-	6,67%	20,83%
22	-	-	-	-	-	25,00%
23	-	-	-	3,13%	-	-
24	-	-	-	15,63%	6,67%	-

Table 4 – Haplotypic diversity measures within and across species. N_{pop} = number of populations used for the analysis (containing at least three individuals of either species), h_s = haplotypic diversity within populations, h_T = overall haplotypic diversity, G_{ST} = differentiation among populations, R_{ST} = equivalent coefficient of differentiation, $P(R_{ST} > G_{ST})$ = Probability value of the test for phylogeographic structure. Two different age classes, less than 70 and more than 100 years, were treated separately.

		N_{pop}	h_s	h_T	G_{ST}	R_{ST}	$P(R_{ST} > G_{ST})$
<i>Quercus robur</i>	< 70 years	26	0.495 (\pm 0.064)	0.729 (\pm 0.034)	0.321 (\pm 0.077)	0.391 (\pm 0.096)	P = 0.448
	> 100 years	27	0.203 (\pm 0.053)	0.600 (\pm 0.058)	0.662 (\pm 0.091)	0.683 (\pm 0.098)	P = 0.779
	overall	53	0.346 (\pm 0.046)	0.673 (\pm 0.031)	0.486 (\pm 0.063)	0.521 (\pm 0.069)	P = 0.750
<i>Quercus petraea</i>	< 70 years	14	0.218 (\pm 0.074)	0.728 (\pm 0.020)	0.701 (\pm 0.102)	0.789 (\pm 0.088)	P = 0.932
	> 100 years	17	0.125 (\pm 0.056)	0.670 (\pm 0.075)	0.814 (\pm 0.086)	0.914 (\pm 0.057)	P = 0.993
	overall	31	0.162 (\pm 0.045)	0.702 (\pm 0.027)	0.769 (\pm 0.063)	0.778 (\pm 0.070)	P = 0.578
<i>Quercus pubescens</i>		6	0.078 (\pm 0.056)	0.596 (\pm 0.021)	0.869 (\pm 0.098)	0.847 (\pm 0.101)	P = 0.161
Pooled species		90	0.290 (\pm 0.032)	0.677 (\pm 0.024)	0.572 (\pm 0.046)	0.619 (\pm 0.047)	P = 0.935

Table 5 – Analysis of Molecular Variance (AMOVA); d.f = degrees of freedom. Negative percentages of variation and fixation indices were turned to zero.

Source of variation	d.f.	Fixation indices	Percentage of variation
Among species	2	$F_{CT} = 0.000$ (P = 0.797)	0.00%
Among populations within species	87	$F_{SC} = 0.638$ (P < 0.001)	63.80%
Within populations	501	$F_{ST} = 0.630$ (P < 0.001)	36.20%

Table 6 – Chlorotype frequencies within the groups revealed by the Spatial Analysis of Molecular Variance (SAMOVA). Results are presented for the analyses across all species and within each of *Quercus robur* and *Quercus petraea*. The spatial distribution of the groups is shown in Fig. 3

	Group	Chlorotype					
		6	8	9	12	15	Other
Across species	1	15%	0%	77%	3%	0%	4%
	2	80%	2%	3%	8%	1%	7%
	3	0%	0%	0%	100%	0%	0%
	4	0%	0%	0%	8%	67%	25%
<i>Quercus robur</i>	1	10%	0%	84%	3%	0%	2%
	2	71%	1%	11%	9%	2%	7%
	3	0%	0%	80%	10%	10%	0%
	4	0%	0%	0%	8%	67%	25%
	5	0%	50%	0%	50%	0%	0%
<i>Quercus petraea</i>	1	2%	0%	90%	0%	0%	8%
	2	83%	0%	3%	4%	0%	10%
	3	4%	0%	0%	96%	0%	0%

Table 7 – Frequency of genetically homogenous SAMOVA groups (across species) within each one of the biogeographical subregions (number of stands). See Table 1 for the definition of biogeographical subregions and Fig. 3 for the spatial distribution of the SAMOVA groups.

Biogeographic subregion	SAMOVA groups (across species)			
	1	2	3	4
Late Pleistocene plains and Holocene floodplains	5	27	0	0
Early Pleistocene plains and dunes (Hardtwaldungen)	22	3	0	2
Vosges and Black Forest foothills	8	13	6	0

FIGURES

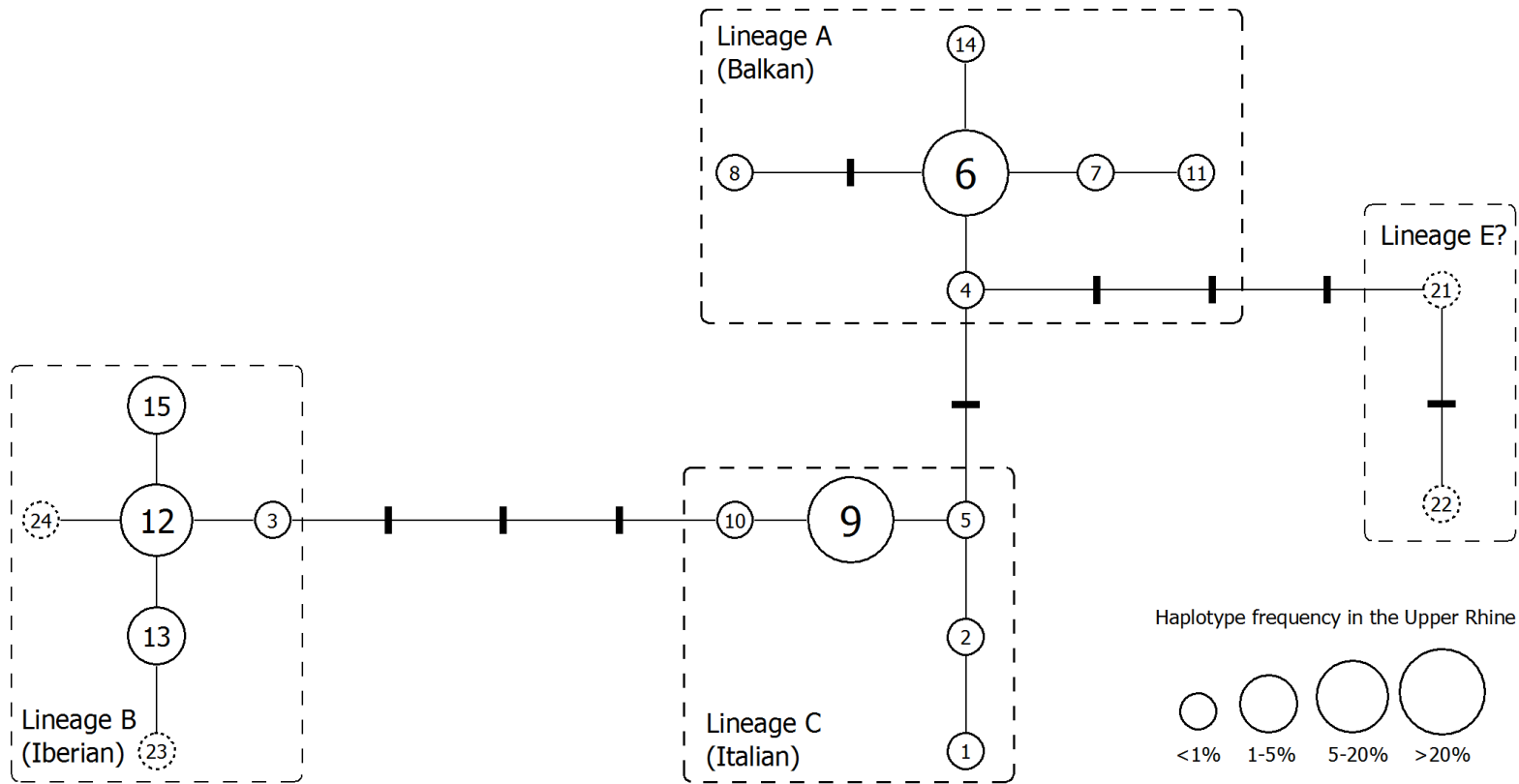


Figure 1 – Minimum Spanning tree of chlorotypes. Chlorotypes are marked with white filled circles. The size of the circles is according to their frequency in the Upper Rhine. Dashed circles indicate chlorotypes found only in refugial populations (21-24). Each segment represents a mutation step (a length difference of one nucleotide). Vertical bars represent missing haplotypes. They were assigned after comparison of the study chlorotypes with reference samples with known chlorotypes.

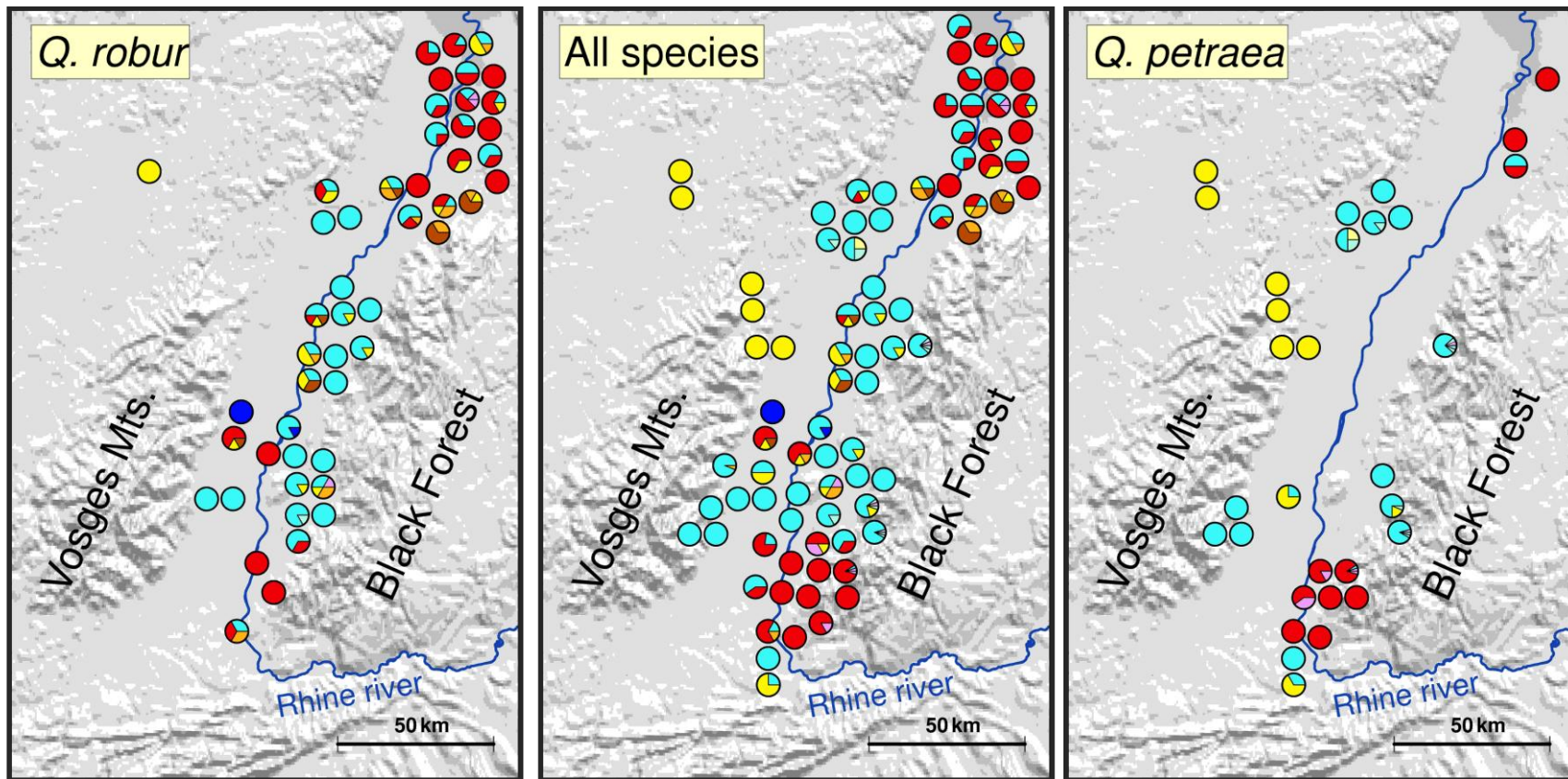


Figure 2 – Spatial distribution of chlorotypes in all populations, irrespective of species identity (to the left) and within each species. Chlorotypes are designated as follows: chlorotype 6 (lineage A): sky blue, chlorotype 8 (lineage A): dark blue, chlorotype 9 (lineage C): red, chlorotype 12 (lineage B): yellow, chlorotype 13 (lineage B): orange, chlorotype 15 (lineage B): brown. For chlorotype description, see Table 2.

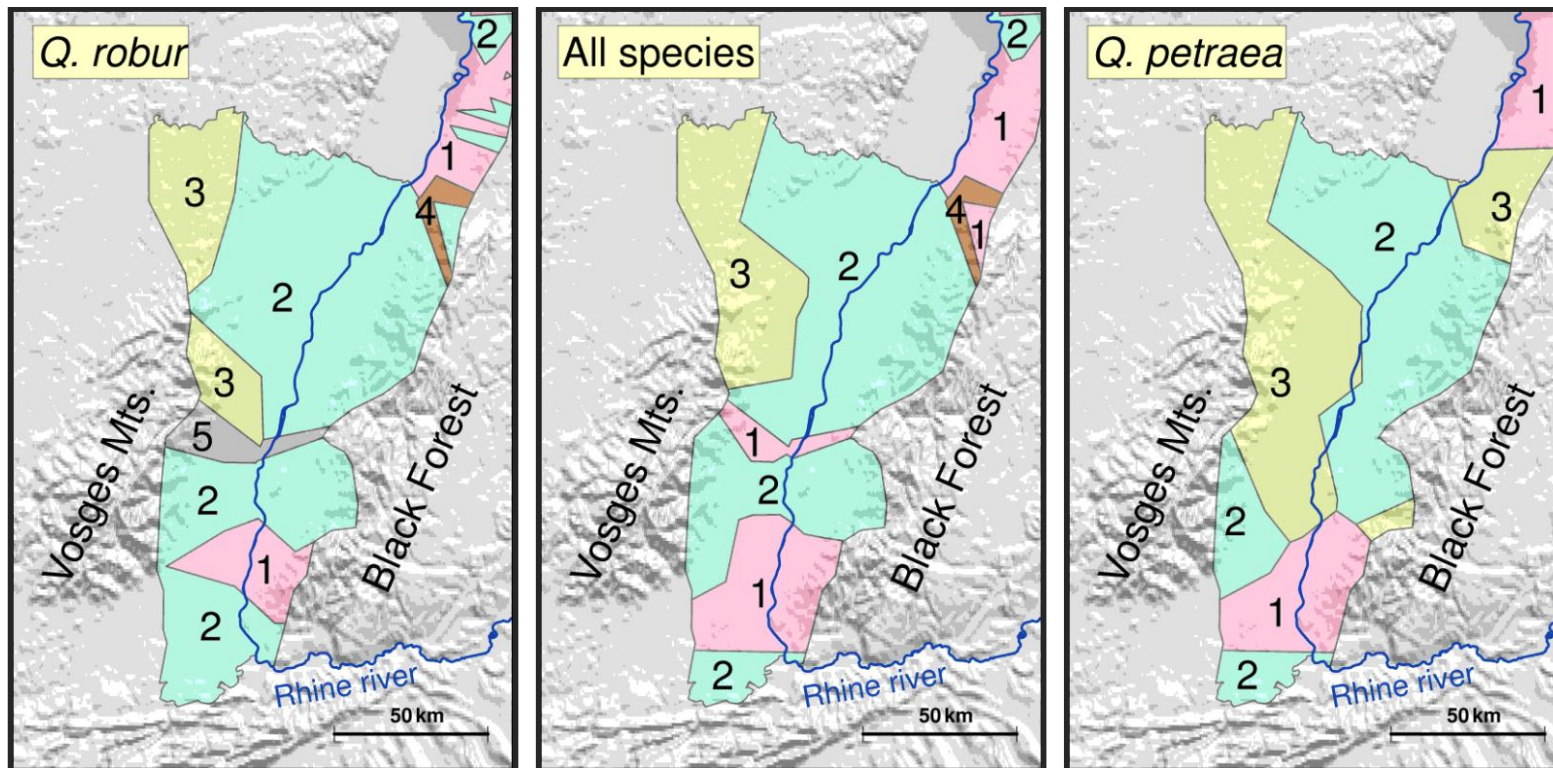


Figure 3 – Spatial genetic subdivision of oak populations according to a Spatial Analysis of Molecular Variance (SAMOVA). Results based on all populations without considering species identity are presented in the left map; results for *Quercus robur* are presented in the middle and for *Quercus petraea* to the right. Three main groups with similar haplotypic constitution and spatial distribution could be observed in all species: a group with high frequency of the Italian chlorotype 9 to the north and to the south (Nr. 1; red), a group dominated by the Balkan chlorotype 6 in the middle and in the southernmost part (Nr. 2; blue) and a group with prevalence of chlorotype 12 of the Iberian maternal lineage (Nr. 3; yellow). A separate group (Nr. 5; violet) including two populations characterized by chlorotype 8 (Balkan lineage) was formed only in *Q. robur*. Group Nr. 4 (brown) dominated by chlorotype 15 (Iberian lineage) included two *Q. robur* populations and thus was not observed in *Q. petraea*.

SUPPORTING INFORMATION

Additional supporting information may be found in the online version of this article:

Table S1 Geographic, taxonomic and forest inventory data of the study stands

Table S2 Chlorotype frequencies in the study stands