

Experimental study of ^{199}Hg spin anti-relaxation coatings

Z. Chowdhuri^a, M. Fertl^a, M. Horras^a, K. Kirch^{a,b}, J. Krempel^b, B. Lauss^a, A. Mtchedlishvili^a, D. Rebreyend^c, S. Rocca^d, P. Schmidt-Wellenburg^{a*}, and G. Zsigmond^a

^a*Paul Scherrer Institut, 5232 Villigen, Switzerland*

^b*ETH Zürich, Switzerland*

^c*LPSC, Université Joseph Fourier Grenoble 1, CNRS/IN2P3, Grenoble INP, Grenoble, France*

^d*CSNSM, Université Paris Sud, CNRS/IN2P3, Orsay, France E-mail:
philipp.schmidt-wellenburg@psi.ch*

ABSTRACT: We report on a comparison of spin relaxation rates in a ^{199}Hg magnetometer using different wall coatings. A compact mercury magnetometer was built for this purpose. Glass cells coated with fluorinated materials show longer spin coherence times than if coated with their hydrogenated homologues. The longest spin relaxation time of the mercury vapor was measured with a fluorinated paraffin wall coating.

KEYWORDS: Mercury optical magnetometer; Spin relaxation; Perfluorinated wall coatings.

*Corresponding author.

Introduction

Magnetometers using optically pumped spin populations of atoms to measure magnetic fields have achieved sensitivities comparable to most superconducting quantum interference devices (SQUID)-based magnetometers during the last decades [1]. Mercury magnetometers (HgM), first used for searches of a ^{199}Hg electric dipole moment (EDM) [2, 3] and later as a cohabiting magnetometer in a neutron EDM (nEDM) search [4], are based on the optical detection of the Larmor precession with a frequency ω_L of spin-1/2 ^{199}Hg atoms in a magnetic field B :

$$\omega_L = \gamma_{\text{Hg}} \cdot B, \quad (1)$$

where γ_{Hg} is the gyromagnetic factor of ^{199}Hg . An intrinsic advantage of measuring a free induction decay is that the precession frequency is directly related to the absolute magnitude of the magnetic field. The sensitivity δB of an optical magnetometer is proportional to $(\tau TN)^{-1/2}$, where τ is the spin coherence time also referred to as the depolarization time, T the observation time, and N is the number of atoms. However, in the case of a ^{199}Hg magnetometer we expect photon shot noise to dominate the sensitivity δB_p given by e.g. equation (25) in Ref. [5] for an exponentially decaying sinusoidal signal. This means $\delta B_p \propto a_n/a_s$ where a_s is the initial signal amplitude of the sine and a_n is the RMS noise amplitude. In the case of homogeneous fields the decay time constant τ is dominantly defined by depolarization of ^{199}Hg atoms during collisions with the walls confining the atomic vapor. Our study was motivated by magnetic field monitoring requirements needed for an improved search of a nEDM [6] at the Paul Scherrer Institut (PSI). As the statistical sensitivity increases, the experiment also needs an improved control and monitoring of magnetic field stability to assess field drifts on a comparable sensitivity level.

In the PSI nEDM apparatus a batch of ^{199}Hg vapor is polarized in a dedicated cell, while measuring the spin precession of neutrons and a previously prepared batch of mercury in the adjacent main precession chamber. At the start of each new measurement cycle the polarized ^{199}Hg vapor is released into the precession chamber where a $\pi/2$ -flip starts the Larmor precession measurement. Decreasing the depolarization rate due to wall collisions in the separate polarizing cell is a promising path to higher sensitivity as this will increase the equilibrium polarization before release, and hence the signal amplitude a_s .

In the past a low viscosity Fomblin¹ oil of type “Y” has been used for coating the polarization cell made of glass. Over the course of weeks, the high surface tension of this type of Fomblin oil causes the film to pull away and expose sections of the bare glass. Re-coating of the cell requires venting of the apparatus and the disassembly of the mercury magnetometer, a lengthy and tedious process. Due to these regular interventions we initially became interested in studying alternative, permanent anti-relaxation coatings. A dedicated mercury magnetometer was built at PSI [7] to study depolarization times τ of several different wall coatings.

Technical description of the mercury magnetometer

Figure 1 shows a sketch of the mercury magnetometer test bench. The central part of the magnetometer is a glass cell that can be filled with ^{199}Hg atomic vapor. In contrast to other experiments [8, 9] the cell was not sealed off, but remained connected via two valves to the vacuum system and a mercury vapor source. It was placed in the center of a three-layer cylindrical magnetic shield without end caps, which has provided a shielding factor of ~ 500 along the axis and ~ 2000 perpendicular to it. One polarized light beam along the cylinder axis has been used for both, spin-pumping and detection of the spin-precession. For optical spin-pumping a magnetic field B_0 , aligned with the light direction, has been generated with a solenoid wound on a polyvinyl chloride (PVC) cylinder inside the innermost shield. The coil has a length of 1600 mm and consists of 760 windings. A current of 1.6 mA has generated a field of 1 μT with a measured homogeneity of $\Delta B/B_0 \approx 3 \times 10^{-3}$. When the coil was turned off there is a remnant field of $|B| \approx 50 \text{ nT}$.

¹Fomblin[®] is a registered trademark of Solvay Solexis.

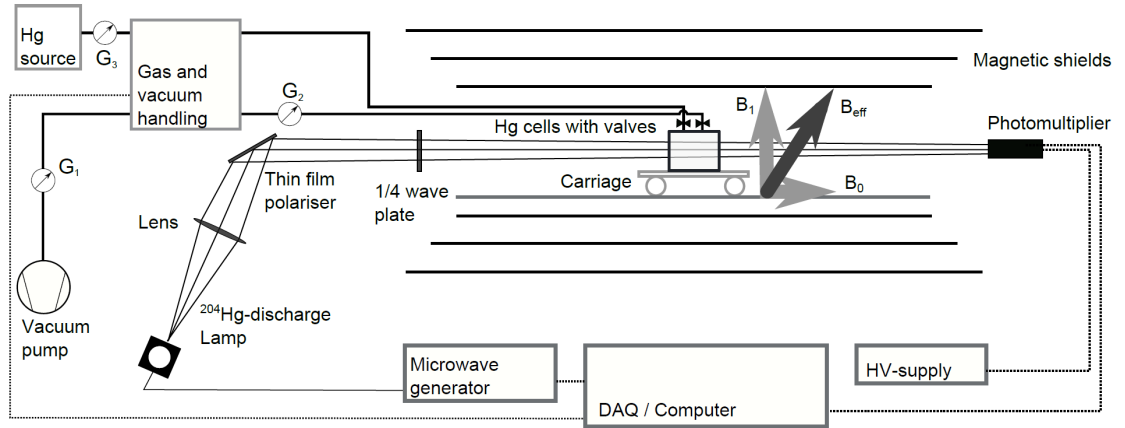


Figure 1. Schematic of the setup used to investigate several different materials as anti spin-relaxation coatings.

After optical pumping the spins were aligned with the pumping field B_0 and had to be flipped to measure a Larmor precession. To do this we turned the main magnetic field direction non-adiabatically by almost $\pi/2$ by rapidly ramping up a second static field $B_1 \approx 4\mu\text{T}$, perpendicular to B_0 . The coil producing this field is a saddle coil consisting of ten frames, with three windings each, mounted on the same PVC tube as the B_0 -coil. When turned on, the spins started precessing in the effective field $\vec{B}_{\text{eff}} = \vec{B}_0 + \vec{B}_1$ that had a measured homogeneity of $\Delta B/B_{\text{eff}} \approx 2 \times 10^{-3}$ within the cell region.

Optical pumping

We used the same ^{204}Hg discharge UV ($\lambda \approx 254\text{nm}$) lamp for optical pumping and readout. A quartz bulb filled with ^{204}Hg vapor has been mounted inside a rf-cavity driven by a microwave generator such that a continuous plasma discharge was maintained. The cavity was mounted for fine adjustment of the spatial position on a three axis micrometer table. The light source was mounted in the focal point of a lens with a focal length of 15 cm to obtain a nearly parallel light beam. Both, optically spin pumping the ^{199}Hg vapor and reading the precession signal needs circularly polarized light, either σ^+ or σ^- light. The light was polarized with a Brewster thin-film polarizer² where the incident light was reflected and linearly polarized under the Brewster angle Θ_b . A quarter-wave plate behind the Brewster plate turned the linearly polarized light into circularly polarized. The quarter-wave plate could be adjusted to $\pm 1^\circ$ to the polarization plane of the linear polarized light. Hence, the circular polarization of the light was estimated to be $P_\sigma > 96\%$.

All optical elements have a diameter of 50 mm and could be adjusted relative to the position of the ^{199}Hg cell inside the magnetic shield. The light was detected by a photomultiplier³ (PMT), operated at 400 V at the far end of the shield. The measured RMS noise of the DC light signal was $1\text{mV} < a_n < 2\text{mV}$.

Before operation, the whole system was evacuated to pressures of $1 \times 10^{-5}\text{mbar} < p_{G2,G3} < 2 \times 10^{-5}\text{mbar}$ and $p_{G1} < 1 \times 10^{-6}\text{mbar}$ over two days (see Fig. 1 for gauge positions). During operation mercury vapor was delivered from the ^{199}Hg source via the inlet tube to the glass cell. The inlet valve was typically opened for two seconds to fill ^{199}Hg vapor into the cell. In standard operation the outlet valve opened after the observation of the precession signal and mercury is pumped out of the cell. One such cycle takes about two to three minutes. Approximately 10 % of the ^{199}Hg vapor remains in the cell. The mercury which is pumped from the cell is trapped in a mercury filter system made of activated charcoal with sulfur additives to prevent them from being released to the environment.

The cylindrical magnetometer cells (ID = 50 mm; $l = 80\text{mm}$) are made of borosilicate glass (see Fig. 2) and are aligned with the shield axis when installed. The end windows are circular quartz plates (OD = 60 mm, $d = 3\text{mm}$) with a UV transmission of 90 %. A plastic frame compresses O-rings for vacuum tightness between cylinder and end plates. In the center of the cell two glass tubes (ID = 4 mm; $l = 50\text{mm}$)

²Brewster plate from Eksmaoptics: $\Theta_b = 55^\circ$, extinction factor $\eta = 1/100$ (see <http://www.eksmaoptics.com>).

³Hamamatsu R431S



Figure 2. Glass cell used in the setup. O-rings in machined grooves compressed by the quartz plates guarantee vacuum tightness at both ends (not shown on the image). The two glass tubes connecting the cell to the inlet and outlet valve and are coated with Fomblin oil in all measurements.

connect the cell to non-magnetic polytetrafluoroethylene (PTFE) valves. The exact position along the z -axis of the cell is given by the length of the aluminum tubes that connect the vacuum/Hg vapor system to the cell.

Data acquisition

A standard USB-DAQ card⁴ with a 16-bit ADC and a sampling rate of 250 kS/s was used for data acquisition. The signal current of the PMT was grounded over a resistance $R = 1 \text{ M}\Omega$. The voltage over this resistance was sampled at 1 kHz and recorded. The card's digital output channels were used for controlling the vacuum valves. One analog output channel was used as current source for supplying the B_0 coil. The B_1 coil was powered by a separate current supply⁵. The card and the current supply were controlled by a LabView application. The application has been structured in cycles consisting of five steps, which are explained in Fig. 3. The duration of each step could be changed as well as the values for the currents in the coils; normally the currents remained unchanged. The amount of mercury in the cell was controlled by the opening time of the inlet valve.

Anti-relaxation coatings

Very often the most important depolarization mechanism for ^{199}Hg atoms are wall collisions. Most likely, dipolar interactions link paramagnetic sites on the surface to depolarization of ^{199}Hg vapor [9]. In order to keep the depolarization rate small, the surface is coated with a non-polar material. So far, Fomblin oil of type Y has been used as anti-relaxation coating for the polarization cell of the nEDM experiment at PSI.

⁴NI-USB6211, from National Instruments.

⁵PL 303-P from Thurlby Thandar Instruments Ltd.

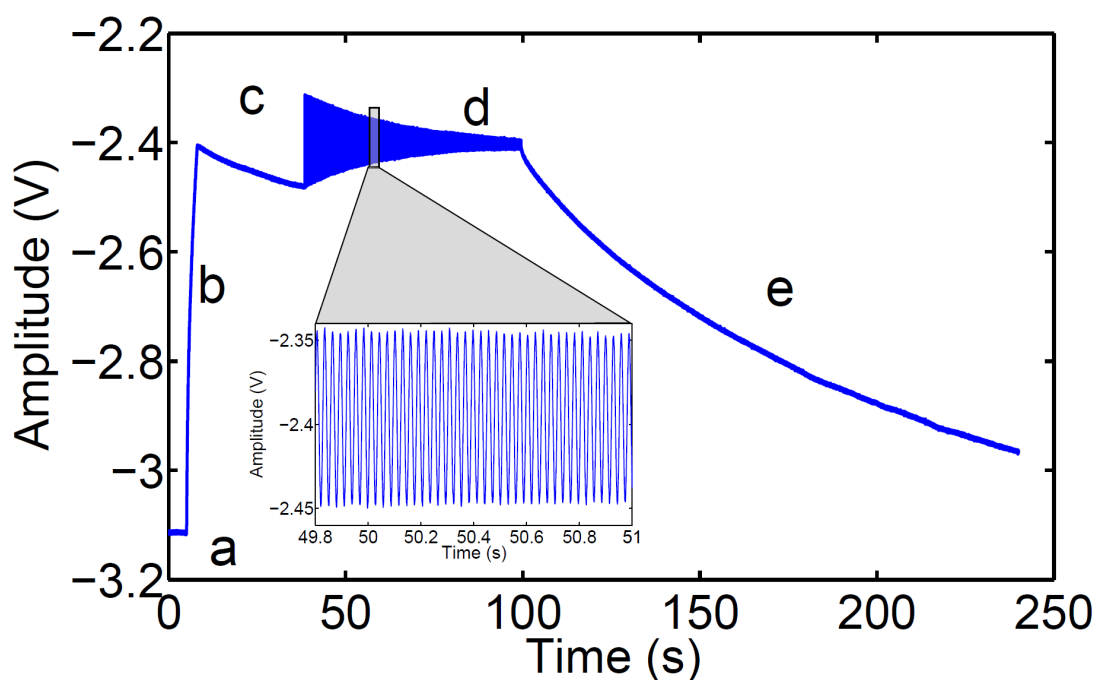


Figure 3. Variation of the photomultiplier signal (in mV) versus time during one cycle, reflecting the five steps: (a) measurement of the noise level for 5 s, (b) filling the chamber with mercury (rapid change of DC-level from -3.1 V to -2.4 V), (c) polarization of the mercury (slow increase of the DC-level during 30 s), (d) free precession of ^{199}Hg during 60 s, (e) mercury is pumped out of the cell.

Fomblin is a perfluorinated polyether consisting of carbon, fluorine, and oxygen atoms normally used in vacuum pumps. The C–F bonds result in low vapor pressures. The materials listed in Tab. 1 were tested in the setup. In the past positive results were reported for non-polar paraffin or paraffin-like coatings [9] which can be considered as standard surface coatings in many experiments dealing with polarization of gases and vapors. From our own experience we knew that perfluorinated hydrocarbons like PTFE or Fomblin oil are good anti-relaxation coatings, hence we also studied a perfluorinated paraffin from Maflon⁶. AquaSil⁷ and SurfaSil⁸ are hydrocarbons containing silicon atoms that react directly with glass and have been reported as potential candidates in Ref. [8]. These solid coatings could make re-coating of the cell unnecessary. The “J” oil from Apiezon⁹ was chosen, because it is a well-known vacuum oil that is based on hydrocarbons. Finally, we have tested black PTFE, a mixture of PTFE with 25 % carbon to color the material black. We expected that the excellent anti-depolarization properties of PTFE would be maintained while the black color would significantly reduce the reflection of linear polarized light re-emitted from the ^{199}Hg -atoms during the polarization process.

Coating the glass cell

In all cases the glass cells were cleaned with water and soap, rinsed with demineralized water and then dried with a hot air gun. Fomblin oil and grease as well as the “J” oil of Apiezon have been uniformly spread on the inside of the cell with a nitrile-glove-covered finger.

AquaSil and SurfaSil were applied by immersion of the glass cells into a solution of these chemicals. AquaSil was purchased as 20 % solution in alcohol which was further diluted in water to a 1 % solution. SurfaSil was diluted in acetone to a 1–10 % solution. In both cases the cells were immersed for five to ten seconds, during which the solutions were continuously stirred with a magnetic stirrer. Afterwards, the cells

⁶Maflon: <http://www.maflon.com> (2010)

⁷AquaSil[®] is a registered trademark of Dentsply.

⁸SurfaSil[®] is a registered trademark of Siltech LLC.

⁹Apiezon[®] is a registered trademark of M&I Materials.

were rinsed thoroughly with methanol to remove the remaining solution and were dried for 24 h in a fume hood.

Vacuum deposition was used for normal and perfluorinated paraffin. The cells were placed upright within a vacuum vessel on a copper plate. A small flake of paraffin was placed on the copper plate inside the cell which was closed off with a glass end cap on top. The deposition process started after evacuation when the heating of the copper plate was turned on. The pressure increased when the paraffin started to melt at $\sim 80^\circ\text{C}$. The perfluorinated paraffin has no liquid phase and started sublimation at $\sim 160^\circ\text{C}$. A window flange of the vacuum vessel allowed us to observe and control the deposition. After ~ 20 min the paraffin flake had disappeared and the cell was coated. Typically the coating thickness decreased with height, hence we repeated the process turning the cell upside down. We also noticed, that placing the cell onto an intermediate stainless steel ring, not directly onto the heated plate, improved the coating quality. In all cases the end windows were coated with the same material in similar processes, the two connection tubes were always coated with Fomblin oil.

Measurement of the decay time constants

The depolarization rate of a precessing population of spin polarized atoms is a combination of depolarization due to wall collisions and inhomogeneous magnetic fields:

$$1/\tau = 1/T_2 + 1/\tau_w. \quad (2)$$

Here T_2 is the transversal polarization decay time constant due to magnetic field inhomogeneities and τ_w is the decay time constant due to wall interactions. Measured magnetic field maps helped us to estimate $T_2 \approx 200$ s using equation (62) in Ref. [10]. We have chosen to measure the relaxation time with an adapted “relaxation in the dark” method pioneered by Franzen [11]¹⁰. In this method ^{199}Hg was filled into the chamber and the atoms were optically pumped to the maximum polarization, which was indicated by a maximum light transmission through the magnetometer cell. Then we rapidly switched on B_1 and blocked the reading light for a “dark time” of $\Delta t = 5 \dots 60$ s, after which the amplitude of the precession signal was measured. Finally the cell was pumped for about 100 s to remove the mercury. Important is that the whole measurement was performed with the same ^{199}Hg density, since the polarization depends slightly on the number density. Ideally one would have always used the same mercury filling and never opened the valves during the measurement. However, the residual pressure would have risen due to out-gassing and small leaks if the cell would not have been pumped for approximately one hour. Collision with residual gas molecules would have distorted the measurement.

This method combined two advantages: (i) we did not have to worry about the influence of the read out light, which might have significantly depolarized the ^{199}Hg ensemble, and (ii) measuring the amplitude and not the absolute light intensity after the “dark time” made the method more robust against intensity drifts of the lamp. An example of a measurement is shown in Fig. 4.

The relaxation time, τ , was determined by a fit of a single exponential (see Fig. 5) to the decaying precession amplitude. Each coating was measured twice with a time difference of at least two weeks, during this time the cells remained untouched and exposed to normal air conditions. From the measured values it becomes clear that most of the tested materials have comparable or even slightly better quality as anti-relaxation coating than the previously used Fomblin oil. The slight decrease in τ in some of the second measurements might be interpreted as degradation of the surface quality with time or as a change of the magnetic field conditions. The results are summarized in Tab. 1. The longest τ was measured with perfluorinated paraffin from Maflon, a skiing wax. The “J” oil of Apiezon was found to be highly magnetic, using a fluxgate sensor, which explains why no signal was seen. Also black PTFE showed a very short τ less than 5 s and was not measured a second time. A possible reason might have been contaminants in the

¹⁰Franzen originally measured the longitudinal depolarization rate T_1 by measuring the increase of the transmitted light intensity after blocking the pump light beam.

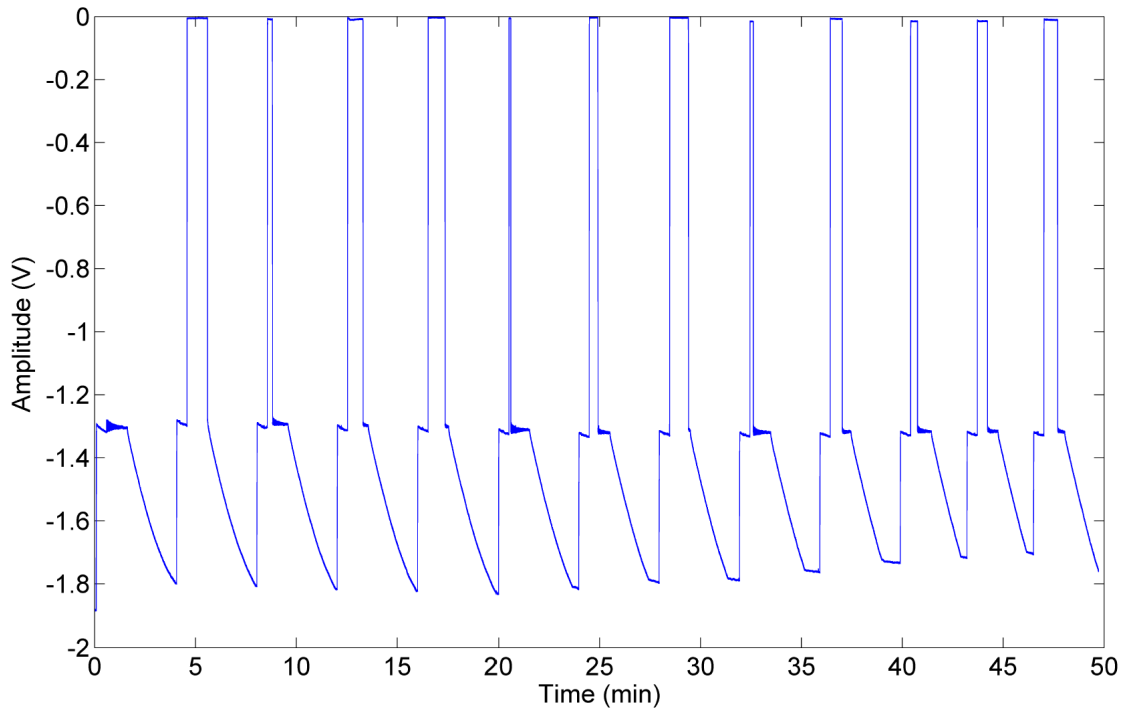


Figure 4. The plot shows several polarization and free precession cycles as recorded during a measurement of a depolarization time constant τ . The dark time was varied between 0 s and 60 s. The different dark times were taken in random order to cancel effects of possible drifts.

material which caused the ^{199}Hg atoms to depolarize much faster. However, we found no signal ($\Delta B < 20\text{pT}$ in a distance of 3 cm) indicating magnetic contamination in a measurement with a cesium magnetometer based gradiometer [12, 13].

Conclusion

A ^{199}Hg magnetometer test apparatus was built to investigate potential improvements of the ^{199}Hg magnetometer of the nEDM experiment at the Paul Scherrer Institute. As a first study depolarization times of different magnetometer cell coatings were measured. Several materials have shown similar or even longer depolarization times than the previously used Fomblin. Perfluorinated paraffin and SurfaSil are the most interesting candidates and will be further investigated. Both have the important advantage that the coating is of long durability and re-coating during nEDM measurements might become unnecessary in the future. In general the perfluorinated materials seem to allow for longer depolarization times than hydrogenated materials. The long term stability of the solid coatings remains to be investigated. In future studies using the test apparatus the magnetic field monitoring and control will be improved.

Acknowledgments

The authors would like to thank the University of Fribourg atomic physics group for the preparation of ^{204}Hg bulbs and help with the cesium magnetometry. We thank the initial support of this work by TU München, in particular by P. Fierlinger and G. Petzoldt. The authors are grateful for the excellent technical support by F. Burri and M. Meier.

References

- [1] D. Budker & M. Romalis, *Nature Physics* **3** (2007) 227.

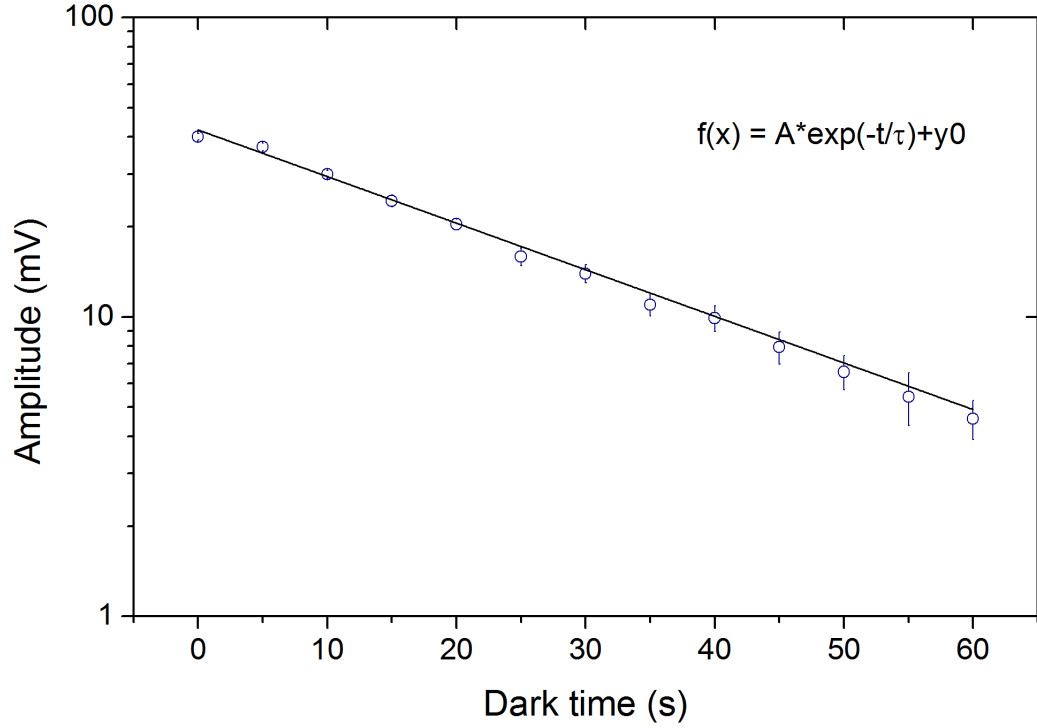


Figure 5. The amplitude of the signal as a function of the dark time t_{dark} . The decay constant τ was extracted from an exponential fit to the data. The example graph shows a measurement of paraffin coating: $\tau = 28(2)$ s, $A = 42(1)$ mV, $y_0 = 0(2)$ with a reduced $\chi^2 = 1.22$.

Coating material and its chemical structure	τ_1 (s)	τ_2 (s)
dPS + DLC	100-180	
Perfluorinated paraffin $C_{20}F_{42}(80\%) + C_{16}F_{34}(10\%-20\%)$	40.5(1.2)	34.6(6)
Fomblin grease $CF_3-[-O-CF_2-CF_2]_n-[-O-CF_2]_m-O-CF_3$ mixed with CF_2-CF_2	34.7(7)	30.6(5)
SurfaSil $Cl-[-(CH_3)_2-Si-O-]_n-(CH_3)_2-Si-Cl$	32.2(4)	30.6(7)
Paraffin $C_{32}H_{66}$	26.3(4)	28.0(2)
Fomblin oil type "Y" $CF_3-[-O-CF_2-CF_2]_n-[-O-CF_2]_m-O-CF_3$ $n/m = 20 \dots 40$	28.4(5)	27.0(6)
AquaSil $CH_3-(CH_2)_{15}-Si-(OH)_3$	23.0(1.0)	26.0(6)
Black Teflon CF_2-CF_2 mixed with carbon	<5	-
Apiezon "J" oil based on hydrocarbons	no signal	-

Table 1. Measured τ -times (first measurement τ_1 , second τ_2) for studied coatings. The error of the time constants are fit errors scaled for reduced $\chi^2 = 1$. For comparison we added the values for the neutron precession chamber of the nEDM apparatus at PSI, which is made of two diamond-like-carbon (DLC) coated electrodes and a deuterated polyesterol (dPS) [14] coated insulator ring. Note that the neutron precession chamber has a diameter of 470 mm and a height of 120 mm, hence the mean free path is a factor 3 to 4 larger.

- [2] S. Lamoreaux, J. Jacobs, B. Heckel, et al., *Physical Review Letters* **59** (1987) 2275.
- [3] J. Jacobs, W. Klipstein, S. Lamoreaux, et al., *Physical Review Letters* **71** (1993) 3782.
- [4] K. Green, P. G. Harris, P. Iaydjiev, et al., *NIM A* **404** (1998) 381.
- [5] M. D. Swallows, T. H. Loftus, W. C. Griffith, et al., *Physical Review A* **87** (2013) 012102.
- [6] C. Baker, G. Ban, K. Bodek, et al., *Physics Procedia* **17** (2011) 159.
- [7] M. Horras. *A highly sensitive Hg magnetometer for the nEDM experiment*. Ph.D. thesis, ETH Zürich (2012).
- [8] Y. Chibane. *A new magnetometer for the nEDM experiment*. Ph.D. thesis, University of Sussex (1990).
- [9] M. V. Romalis & L. Lin, *Journal of Chemical Physics* **120** (2004) 1511.
- [10] G. Cates, S. Schaefer, & W. Happer, *Physical Review A* **37** (1988) 2877.
- [11] W. Franzen, *Physical Review* **115** (1959) 850.
- [12] S. Groeger, A. Pazgalev, & A. Weis, *Applied Physics B: Lasers and Optics* **80** (2005) 645.
- [13] A. S. Pazgalev, *Lamp-pumped Cs magnetometer test stand user manual*, Fribourg, unpublished (2008).
- [14] K. Bodek, M. Daum, R. Henneck, et al., *NIM A* **597** (2008) 222.