

**MINIMAL SURFACES IN FINITE VOLUME HYPERBOLIC
3-MANIFOLDS N AND IN $M \times \mathbb{S}^1$, M A FINITE AREA
HYPERBOLIC SURFACE.**

P. COLLIN, L. HAUSWIRTH, AND H. ROSENBERG

ABSTRACT. We consider properly immersed finite topology minimal surfaces Σ in complete finite volume hyperbolic 3-manifolds N , and in $M \times \mathbb{S}^1$, where M is a complete hyperbolic surface of finite area. We prove Σ has finite total curvature equal to 2π times the Euler characteristic $\chi(\Sigma)$ of Σ , and we describe the geometry of the ends of Σ .

1. INTRODUCTION

Let N denote a complete hyperbolic 3-manifold of finite volume. An end \mathcal{M} of N is modeled on the quotient of a horoball of the hyperbolic 3-space \mathbb{H}^3 , by a \mathbb{Z}^2 parabolic subgroup of the isometry group of \mathbb{H}^3 leaving the horoball invariant. More precisely we consider the model of the half-space of $\mathbb{H}^3 = \{(x, y, t) \in \mathbb{R}^3; y > 0\}$ with the metric $ds^2 = \frac{dx^2 + dy^2 + dt^2}{y^2}$. Then an end of N has a sub-end isometric to

$$\mathcal{M}(-1) = \{(x, y, t) \in \mathbb{R}^3; y \geq y_0 > 0\}$$

modulo a \mathbb{Z}^2 -parabolic subgroup of isometries of \mathbb{H}^3 leaving the planes $\{y = c\}$ invariant. The horosphere $y = \text{constant}$ quotient to tori $\mathbb{T}(y)$ in $\mathcal{M}(-1)$; $\mathbb{T}(y)$ has constant mean curvature one. Let c be a compact geodesic of $\mathbb{T}(1)$. Then $A(-1) = \{(c, t); t \geq 1\}$ is a minimal annulus immersed in $\mathcal{M}(-1)$, which we will call a standard cusp-end in $\mathcal{M}(-1)$.

A complete surface M of constant curvature $K = -1$ and finite area has finite total curvature hence M is conformally diffeomorphic to a compact surface punctured in a finite number of points. Each end of M (called a cusp end), denoted \mathcal{C} , is an annular end isometric to the quotient of a horodisk H in the hyperbolic plane \mathbb{H}^2 by a parabolic isometry ψ .

To describe the geometry of such ends we model \mathbb{H}^2 by the upper half plane

$$\mathbb{H}^2 = \{(x, y) \in \mathbb{R}^2; y > 0\}$$

with the metric $ds^2 = \frac{dx^2 + dy^2}{y^2}$. Then a cusp end \mathcal{C} of M is isometric to $H/[\psi]$, where $H = \{(x, y) \in \mathbb{R}^2; y \geq 1\}$ is a horodisk and $\psi(x, y) = (x + \tau, y)$, for some $\tau \neq 0$.

The authors were partially supported by the ANR-11-IS01-0002 grant. December 3, 2018.

In $M \times \mathbb{S}^1$, with the product metric, the ends become $\mathcal{M} := \mathcal{C} \times \mathbb{S}^1$, and are foliated by constant mean curvature tori $\mathbb{T}(y_1) = c(y_1) \times \mathbb{S}^1$, where $c(y_1) = \{(x, y) \in \mathbb{H}^2; y = y_1\}/[\psi]$. We consider $\mathbb{S}^1 = \mathbb{R}/T(h)$, $T(h)$ the translation of \mathbb{R} by some $h > 0$ and

$$\mathcal{M} = \cup_{y \geq y_0} \mathbb{T}(y) = (H/[\psi]) \times (\mathbb{R}/T(h)) = \{(x, y, t) \in \mathbb{R}^3; y \geq y_0 \geq 1\}/[\psi, T(h)].$$

Thus the ends of N and those of $M \times \mathbb{S}^1$ share many properties. Both are parametrized by the same half-space of \mathbb{R}^3 , and foliated by constant mean curvature tori $\mathbb{T}(y)$ (curvature one half in \mathcal{M} and one in $\mathcal{M}(-1)$). $\mathcal{M}(-1)$ has constant sectional curvature -1 and the tori $\mathbb{T}(y)$ shrink exponentially when one flows by the geodesics y increasing. In \mathcal{M} , the horizontal cycles $c(y)$ shrink exponentially along the y increasing flow and the t cycles are of constant length h . Subsequently we will develop the geometry of surfaces in these ends.

Now let Σ be a properly embedded minimal surface in N or $M \times \mathbb{S}^1$ of finite topology; so that Σ has a finite number of annular ends $\{A_j\}$ for $1 \leq j \leq k$. Since Σ is proper, each end A_j of Σ is in some end \mathcal{M} of $M \times \mathbb{S}^1$ or in some end $\mathcal{M}(-1)$ of N . We denote by E a connected component of a lift of an end A of Σ , E in $\mathbb{H} \times \mathbb{R}$ or \mathbb{H}^3 .

We will now describe the model ends of minimal annuli in \mathcal{M} and $\mathcal{M}(-1)$. In $\mathcal{M}(-1)$ the model end is the standard cusp end $A(-1)$ we previously defined.

In \mathcal{M} , there are essentially three model ends. In \mathcal{M} , we define $A_{(p,q)}$ to be the annular end that is the quotient of a (euclidean) half-plane $E_{(p,q)}$ orthogonal to the plane $\{(x, y, t) \in \mathbb{R}^3; y = 1\}$ and of slope $qh/p\tau$. For $(p, q) = (1, 0)$, the end

$$E_{(1,0)}(t_0) = \{(x, y, t) \in \mathbb{R}^3; y \geq 1, t = t_0\} \text{ and } A_{(1,0)} = E_{(p,q)}/[\psi]$$

is a cusp end of M (horizontal). For $(p, q) = (0, 1)$, it is the product of a horizontal geodesic ray of M and \mathbb{S}^1 . The end

$$E_{(0,1)}(x_0) = \{(x, y, t) \in \mathbb{R}^3; y \geq 1, x = x_0\} \text{ and } A_{(0,1)} = E_{(0,1)}/T(h).$$

For $(p, q) \neq \{(0, 1), (1, 0)\}$, we think of $A_{(p,q)}$ as a helicoid with axis at the cusp at infinity. It is the quotient of

$$E_{(p,q)}(c_0) = \{(x, y, t) \in \mathbb{R}^3; y \geq 1, p\tau t - qhx = c_0\} \text{ and } A_{(p,q)} = E_{(p,q)}/[\psi, T(h)].$$

We will prove that a properly immersed annular end A in \mathcal{M} or in $\mathcal{M}(-1)$ has finite total curvature and is asymptotic to a standard end $A_{(p,q)}$ in \mathcal{M} or a standard cusp end $A(-1)$ in $\mathcal{M}(-1)$. The main theorem of the paper is:

Theorem 1.1. *Consider a complete surface M with curvature $K = -1$ and finite area and N a complete hyperbolic 3-manifold of finite volume. Let Σ be a properly immersed minimal surfaces in N or in $M \times \mathbb{S}^1$ with finite topology. Then the surface Σ has finite total curvature and each end A of Σ is asymptotic to a standard cusp-end $A(-1)$ in $\mathcal{M}(-1)$ or to a standard end $A_{(p,q)}$ in \mathcal{M} :*

- (i) $A_{(p,0)}$ a horizontal cusp $\mathcal{C} \times \{t_0\}$
- (ii) $A_{(0,q)}$ a vertical plane $\gamma \times \mathbb{S}^1$
- (iii) $A_{(p,q)}$ a helicoidal end with axis at infinity.

Moreover

$$\int_{\Sigma} K dA = 2\pi\chi(\Sigma).$$

Corollaries of the theorem 1.1 Combining the formula for the total curvature of Σ in theorem 1.1, with the Gauss equation, we obtain topological obstructions for the existence of proper minimal immersions of a finite topology surface Σ into N or $M \times \mathbb{S}^1$, of a given topology.

For example, there is no such proper minimal immersion of a plane \mathbb{R}^2 into N or $M \times \mathbb{S}^1$. In N there is no proper minimal immersion of the sphere \mathbb{S}^2 with n punctures; $n = 0, 1$, or 2 . A proper minimal immersion of \mathbb{S}^2 with two punctures (an annulus) in $M \times \mathbb{S}^1$, is necessarily $\gamma \times \mathbb{S}^1$, γ a complete geodesic of M .

More generally, suppose Σ is an orientable surface of genus g with n punctures, $n \geq 0$. Then $\chi(\Sigma) = 2 - 2g - n$, so if Σ can be properly minimally immersed in N or $M \times \mathbb{S}^1$, it follows from theorem 1.1 and the Gauss equation

$$\int_{\Sigma} K_{\Sigma} = 2\pi(2 - 2g - n) = \int_{\Sigma} K_e + \int_{\Sigma} K_{\sigma},$$

where K_e and K_{σ} are the extrinsic and sectional curvatures of Σ respectively. Since $-1 \leq K_{\sigma} \leq 0$ in $M \times \mathbb{S}^1$, $K_{\sigma} = -1$ in N , and $K_e \leq 0$, we have

$$2 - 2g - n \leq 0$$

and equality if and only if $K_e = K_{\sigma} = 0$.

This equality cannot occur in N (since $K_{\sigma} = -1$) and equality in $M \times \mathbb{S}^1$ yields Σ is vertical and g is 0 or 1. When $g = 0$, then $n = 2$ and $\Sigma = \gamma \times \mathbb{S}^1$ γ a complete, non compact geodesic of M .

When $2 < 2g + n$ then if $g = 0$, one can not have $n \leq 2$. So excluding the equality case we discussed above, there is no proper minimal immersion of \mathbb{S}^2 with 0, 1, or 2 punctures, in N or $M \times \mathbb{S}^1$.

In N , one obtains an area estimate. If Σ is properly minimally immersed in N then

$$2\pi(2 - 2g - n) = \int_{\Sigma} K_e - |\Sigma|,$$

so $|\Sigma| = \int_{\Sigma} K_e + 2\pi(2g + n - 2) \leq 2\pi(2g + n - 2)$ and equality precisely when Σ is totally geodesic. Do such totally geodesic immersions exists in N ?

We have $0 < 2g + n - 2$, so if $2g + n - 2 \leq 0$, the immersion Σ does not exist in N . If $2g > 2 - n$, can Σ be properly minimally immersed in N ?

The paper is organized as follows. We will begin considering surfaces in $M \times \mathbb{S}^1$. First we describe some examples of properly embedded minimal surfaces of finite topology in $M \times \mathbb{S}^1$. We start with M a 3-punctured sphere, then M a sphere with $2n$ punctures, and M a once punctured torus. We hope to convey to the reader the wealth of interesting examples in these spaces.

In section 2, we describe some properties of the standard examples $A_{(p,q)}$ in the cusp ends \mathcal{M} of $M \times \mathbb{S}^1$. We construct auxiliary minimal surfaces needed for the sequel.

In section 3 we begin the study of a lift $E \subset H \times \mathbb{R}$ of an annular end A of $\Sigma \cap \mathcal{M}$. We prove that a subend of A is trapped between two standard ends $A_{(p,q)}$ that are close at infinity; "close" will be defined later.

In section 4, we study compact annuli that we will use in the proof of the theorem. In section 5, we study the limit of a family of Scherk type graphs in \mathbb{H}^2 which are converging to 0 and we use this sequence to prove that the third coordinate of an end of type $(1, 0)$ has a limit at infinity.

In section 6, we prove that a trapped subend of A is a killing graph, hence has bounded curvature. Then in sections 7,8, and 9, we prove the main theorem.

2. EXAMPLES IN $M \times \mathbb{S}^1$

The first examples in $M \times \mathbb{S}^1$ that come to mind are the horizontal slices $\Sigma = M \times \{c\}$ and the vertical annuli (or totally geodesic tori), $\Sigma = \gamma \times \mathbb{S}^1$, γ a complete geodesic (perhaps compact) of M .

We describe five examples; M will be a sphere with three or four punctures or a once punctured torus, and have a complete hyperbolic metric of finite area. Denote by $\text{Sph}(k)$, $k = 3$ or 4 such a hyperbolic sphere and $\text{Tor}(1)$ a once punctured hyperbolic torus.

Example 1. Σ an embedded minimal surface in $\text{Sph}(3) \times \mathbb{S}^1$ with three ends; two helicoidal and the other horizontal. The domains and notation we now introduce will be used in all the examples we describe.

Let Γ be the ideal triangle in the disk model of \mathbb{H}^2 with vertices $A = (0, 1)$, $B = (0, -1)$, $C = (-1, 0)$ and sides a, b, c as indicated in figure 1.

Let Σ , be the minimal graph over the domain D bounded by Γ , taking the values 0 on b and c and $h > 0$ on a . Extend Σ , to an entire minimal graph $\tilde{\Sigma}$ over \mathbb{H}^2 by rotation by π in all the sides of Γ , and the sides of the triangles thus obtained.

In figure 2, we indicate some of the reflected triangles and the values of the graph $\tilde{\Sigma}$ on their sides.

Let D be the domain bounded by Γ . Let ψ_A be the parabolic isometry with fixed point A which takes the geodesic c to c_1 and a to a_1 ; $\psi_A = R_{c_1}R_a$, where R_γ denotes reflection in the geodesic γ . Let ψ_B be the parabolic isometry of \mathbb{H}^2 leaving B fixed, taking b to b_1 and a to c_2 ; $\psi_B = R_{b_1}R_a$.

Notice that the group of isometries of $\mathbb{H}^2 \times \mathbb{R}$, generated by $T(2h) \circ \psi_A$ and $T(2h) \circ \psi_B$, leaves $\tilde{\Sigma}$ invariant.

Let M be the 3-punctured sphere obtained by identifying the sides of $D \cup R_a(D)$ by ψ_A, ψ_B (c with c_1 , b with b_1). M is hyperbolic and has finite area.

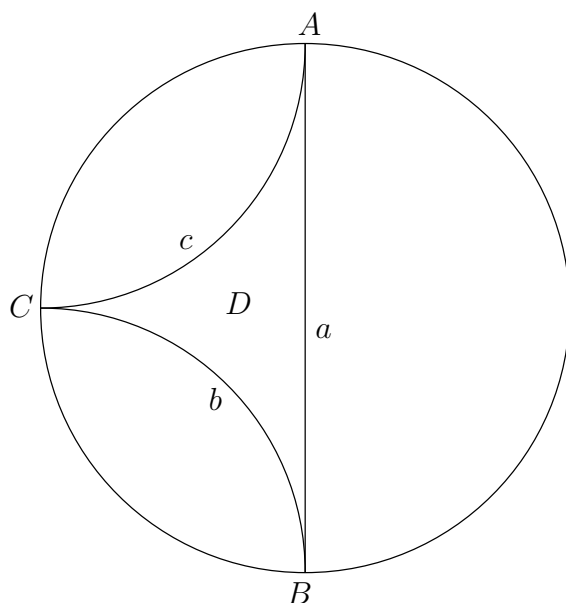


FIGURE 1. Ideal triangle (ABC) in \mathbb{H}^2

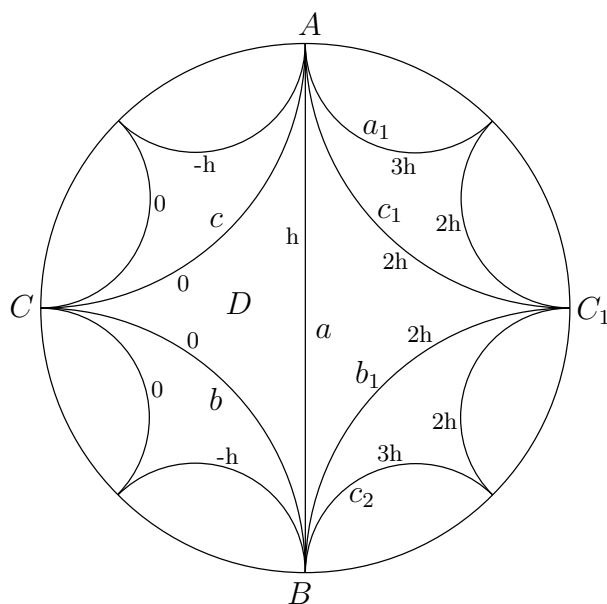


FIGURE 2. Value of the graph $\tilde{\Sigma}$ on geodesics

Let Σ_2 be the graph in $\tilde{\Sigma}$ over $D \cup R_a(D)$. Then the multi-graph $\cup_{k \in \mathbb{Z}} \mathbb{T}_{k2h}(\Sigma_2)$ passes to the quotient $M \times (\mathbb{R}/T(2h))$ to give a complete embedded minimal surface Σ with 3-ends; two helicoidal and the other horizontal. Σ is a 3-punctured sphere, has total curvature -2π and Σ is stable (Σ is transverse to the killing field $\partial/\partial t$).

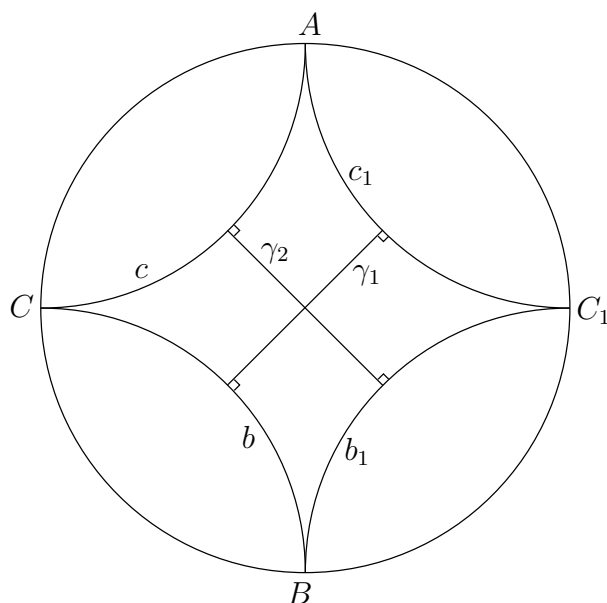


FIGURE 4. M is a once punctured torus

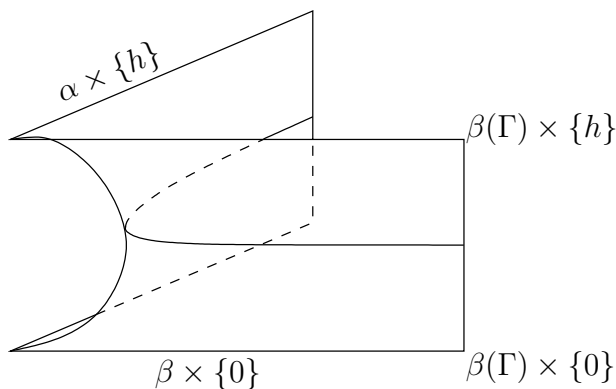


FIGURE 5. A least area disk D_1

Successive symmetries in all the horizontal sides yields a "Scherk" type surface in $\mathbb{H}^2 \times \mathbb{R}$ bounded by 4 vertical geodesics, invariant by vertical translation by $2h$.

We now identify opposite sides of Q by the hyperbolic translations $T(\gamma_1), T(\gamma_2)$, along γ_1 and γ_2 . This gives a once punctured torus M . The Scherk surface passes to the quotient to give a compact minimal surface Σ with $\partial\Sigma = \emptyset$, in $M \times (\mathbb{R}/T(2h))$.

Example 4. A singly periodic Scherk surface with 4 vertical annular ends; M a once punctured torus. Now we "rotate" example 4 by $\pi/4$. Let α_1, α_2 be the complete geodesics joining the opposite vertices of ∂Q ; α_1, α_2 are the x and the y axis in the

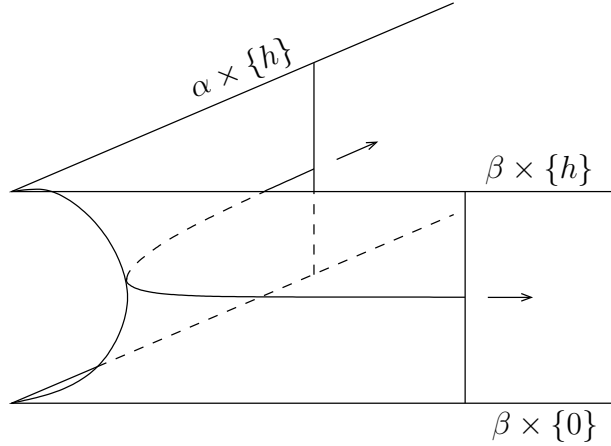


FIGURE 6. A piece of singly periodic Scherk surface with 4 vertical annular ends

unit disc model. Again we construct Plateau disks bounded by the polygon of figure 6.

We know that when the vertical geodesic segments diverge along β , the plateau solutions converge to a complete embedded surface in $\mathbb{H}^2 \times \mathbb{R}$ with boundary $\{(x, 0)/x \geq 0\} \cup \{(y, 0)/y \geq 0\} \cup \{(x, h)/x \geq 0\} \cup \{(y, h)/y \geq 0\}$.

The symmetries of this surface along all the edges yields a singly periodic Scherk surface in $Q \times \mathbb{R}$, invariant by $T(2h)$.

As in example 4, we identify the opposite sides of Q by hyperbolic translations to obtain a torus M with one puncture. This gives the Scherk surface Σ in $M \times \mathbb{R}/[T(2h)]$, with four vertical annular ends.

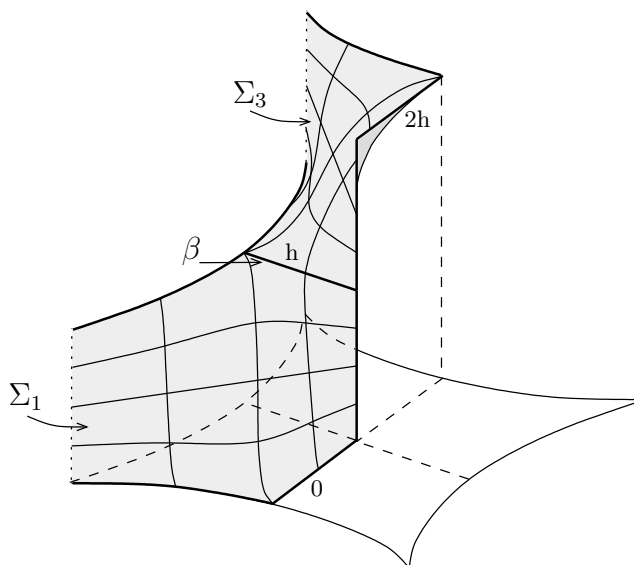
We remark that one can quotient ∂Q by parabolic isometries to obtain this Scherk surface in $M \times \mathbb{S}^1$ where M is now a 4-punctured sphere.

Example 5. A helicoid with helicoidal ends in $M \times \mathbb{S}^1$, M a once punctured torus. It is convenient to describe this example in $M \times \mathbb{S}^1$ where M is the once punctured torus obtained from the ideal quadrilateral Q_1 in \mathbb{H}^2 with the 4 vertices $(\pm \frac{1}{\sqrt{2}} \pm \frac{i}{\sqrt{2}})$, by identifying opposite sides.

Let S be the third quadrant of Q_1 : $S = \{(x, y) \in Q_1; x \leq 0, y \leq 0\}$. For $h > 0$, let Σ_1 be the minimal graph over S with boundary values indicated in figure 7.

Let Σ_3 be the reflection of Σ_1 through β (cf figure 7); Σ_3 is between heights h and $2h$ and is a graph over the second quadrant of Q_1 . Then rotate $\Sigma_1 \cup \Sigma_3$ by π through the vertical axis between $(0, 0)$ and $(0, 2h)$, to obtain $\Sigma_2 \cup \Sigma_4$; Σ_4 is a graph over the fourth quadrant of Q_1 . Σ is the union of the four pieces Σ_1 , through Σ_4 , identified along the boundaries as follows.

First we consider identifying opposite sides of Q_1 by the hyperbolic translations sending the opposite side to the other. Then we can quotient by $T(2h)$ or by $T(4h)$. The


 FIGURE 7. Σ_1 be a minimal graph over S

first quotient gives an non orientable surface in $M \times \mathbb{S}^1$ with one helicoid type end. The second gives an orientable surface of total curvature -8π with two helicoidal type ends (it is a double cover of the first example). Topologically the first example is the connected sum of a once punctured torus and a projective plane. The second surface is 2 punctured orientable surface of genus two.

The reader can see the helicoidal structure of Σ by going along a horizontal geodesic on Σ at $h = 0$, from one puncture to the other. Then spiral up Σ along a helice going to the horizontal geodesic at height h . Continue along this geodesic to the other (it's the same) puncture and spiral up the helices on Σ to height $2h$. If we do this right, we are back where we started.

3. BARRIERS IN $M \times \mathbb{S}^1$

We construct barriers by solving the mean curvature equation of ruled surfaces. These barriers will be used to prove the Trapping Theorem in section 4. In the model $\mathbb{H}^2 \times \mathbb{R} = \{(x, y, t) \in \mathbb{R}^3; y > 0\}$, we consider surfaces

$$X : (u, v) \rightarrow (u, \alpha(v), v + \lambda u)$$

for a \mathcal{C}^2 real positive function of one variable $v \rightarrow \alpha(v)$ defined on some interval I .

Lemma 3.1. *The mean curvature H of the surface $X : (u, v) \rightarrow (u, \alpha(v), v + \lambda u)$ immersed in $\mathbb{H}^2 \times \mathbb{R} = \{(x, y, t) \in \mathbb{R}^3; y > 0\}$ with the metric $ds^2 = \frac{dx^2 + dy^2}{y^2} + dt^2$ is given by*

$$2H = \frac{-\alpha^2}{Z^3} (\alpha''(1 + \lambda^2\alpha^2) + \alpha(1 + \lambda^2(\alpha')^2))$$

Proof. In the model of $\mathbb{H}^2 \times \mathbb{R} = \{(x, y, t) \in \mathbb{R}^3; y > 0\}$ with the metric $ds^2 = \frac{dx^2 + dy^2}{y^2} + dt^2$, the non zero terms of the connection are given by

$$\begin{aligned} \nabla_{\partial/\partial x} \partial/\partial x &= \frac{1}{y} \partial/\partial y & \nabla_{\partial/\partial y} \partial/\partial y &= -\frac{1}{y} \partial/\partial y \\ \nabla_{\partial/\partial x} \partial/\partial y &= \nabla_{\partial/\partial y} \partial/\partial x & &= -\frac{1}{y} \partial/\partial x \end{aligned}$$

The tangent space is generated by

$$\begin{aligned} dX(\partial/\partial u) &= E_1 = \partial/\partial x + \lambda \partial/\partial t = (1, 0, \lambda) \\ dX(\partial/\partial v) &= E_2 = \alpha'(v) \partial/\partial y + \partial/\partial t = (0, \alpha'(v), 1) \end{aligned}$$

The direct unit normal vector is given by $N = V/Z$ with $V = E_1 \wedge E_2$,

$$\begin{aligned} V &= -\lambda \alpha'(v) \alpha(v)^2 \partial/\partial x - \alpha(v)^2 \partial/\partial y + \alpha'(v) \partial/\partial t = (-\lambda \alpha'(v) \alpha(v)^2, -\alpha(v)^2, \alpha'(v)) \\ Z^2 &= |V|^2 = (\alpha'(v))^2 (1 + \lambda^2 \alpha(v)^2) + \alpha(v)^2. \end{aligned}$$

We compute the mean curvature by the divergence formula

$$-2H = \operatorname{div}(N) = \operatorname{div} \left(\frac{V}{Z} \right) = \frac{1}{Z^3} (Z^2 \operatorname{div}(V) - \frac{1}{2} V \cdot (Z^2)).$$

We compute the first term

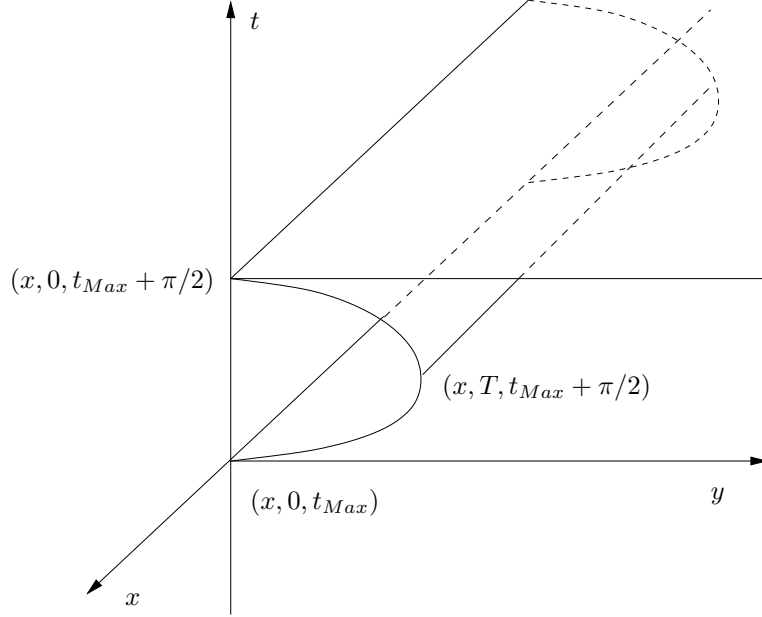
$$\begin{aligned} \operatorname{div}(V) &= -\frac{\partial}{\partial x} (\lambda \alpha^2(v) \alpha'(v)) - \lambda \alpha^2(v) \alpha'(v) \operatorname{div} \left(\frac{\partial}{\partial x} \right) \\ &\quad - \frac{\partial}{\partial y} (\alpha^2(v)) - \alpha^2(v) \operatorname{div} \left(\frac{\partial}{\partial y} \right) + \frac{\partial}{\partial t} (\alpha'(v)) + \alpha'(v) \operatorname{div} \left(\frac{\partial}{\partial t} \right). \end{aligned}$$

Using $\operatorname{div} \left(\frac{\partial}{\partial x} \right) = \operatorname{div} \left(\frac{\partial}{\partial t} \right) = 0$ and $\operatorname{div} \left(\frac{\partial}{\partial y} \right) = -\frac{2}{y}$ with $\alpha(v) = y$ and $v = t - \lambda x$, a direct computation gives

$$\begin{aligned} \operatorname{div}(V) &= \lambda^2 \alpha^2 \alpha'' - 2\alpha - \alpha^2 \left(-\frac{2}{\alpha} \right) + \alpha'' \\ &= (1 + \lambda^2 \alpha^2) \alpha'' \end{aligned}$$

For the second term

$$\begin{aligned} \frac{1}{2} \frac{\partial}{\partial x} (Z^2) &= -\lambda \alpha' \alpha'' (1 + \lambda^2 \alpha^2) \\ \frac{1}{2} \frac{\partial}{\partial y} (Z^2) &= \alpha (1 + \lambda^2 \alpha'^2) \\ \frac{1}{2} \frac{\partial}{\partial t} (Z^2) &= \alpha' \alpha'' (1 + \lambda^2 \alpha^2) \end{aligned}$$


 FIGURE 8. S^0 , Surfaces foliated by horizontal horocycles

Hence $\frac{1}{2}V.(Z^2) = (1 + \lambda^2\alpha^2)\lambda^2\alpha^2\alpha'\alpha'' - \alpha^3(1 + \lambda^2\alpha'^2) + \alpha'^2\alpha''(1 + \lambda^2\alpha^2)$. Finally we obtain

$$\begin{aligned} \operatorname{div}(N) &= \operatorname{div}(V/Z) \\ &= \frac{1}{Z^3}[(1 + \lambda^2\alpha^2)\alpha''(\alpha^2 + \alpha'^2 + \lambda^2\alpha^2\alpha'^2) \\ &\quad - (1 + \lambda^2\alpha^2)\lambda^2\alpha^2\alpha'\alpha'' + \alpha^3(1 + \lambda^2\alpha'^2) + \alpha'^2\alpha''(1 + \lambda^2\alpha^2)] \\ &= \frac{\alpha^2}{Z^3}[\alpha''(1 + \lambda^2\alpha^2) + \alpha(1 + \lambda^2\alpha'^2)] = -2H \end{aligned}$$

□

We study the geometry of surfaces $X : (u, v) \rightarrow (u, \alpha(v), v + \lambda u)$ which are minimal. We notice they are ruled surfaces foliated by curves $v \rightarrow (0, \alpha(v), v)$ where $\alpha \in \mathcal{C}^2(I)$, $\alpha > 0$, $\lambda \geq 0$.

The first case solves the equation when $\lambda = 0$. The solution $\alpha(v) = T \sin v$ gives the family of minimal surfaces up to vertical translation

$$S_T^0 = \{(u, T \sin v, v) \in \mathbb{R}^3; u \in \mathbb{R}, v \in [0, \pi]\}$$

This surface is foliated by horizontal horocycles $u \rightarrow (u, \alpha(v), v)$ and is described in Hauswirth [5], then by Toubiana and Sa Earp [7], Daniel [3] and Mazet, Rodriguez, Rosenberg [8](see figure 8). By the nature of the curve $v \rightarrow (0, T \sin v, v)$, the surfaces S_T^0 foliate the slab $S = \{(x, y, t) \in \mathbb{R}^3; 0 < y, 0 \leq t \leq \pi\}$.

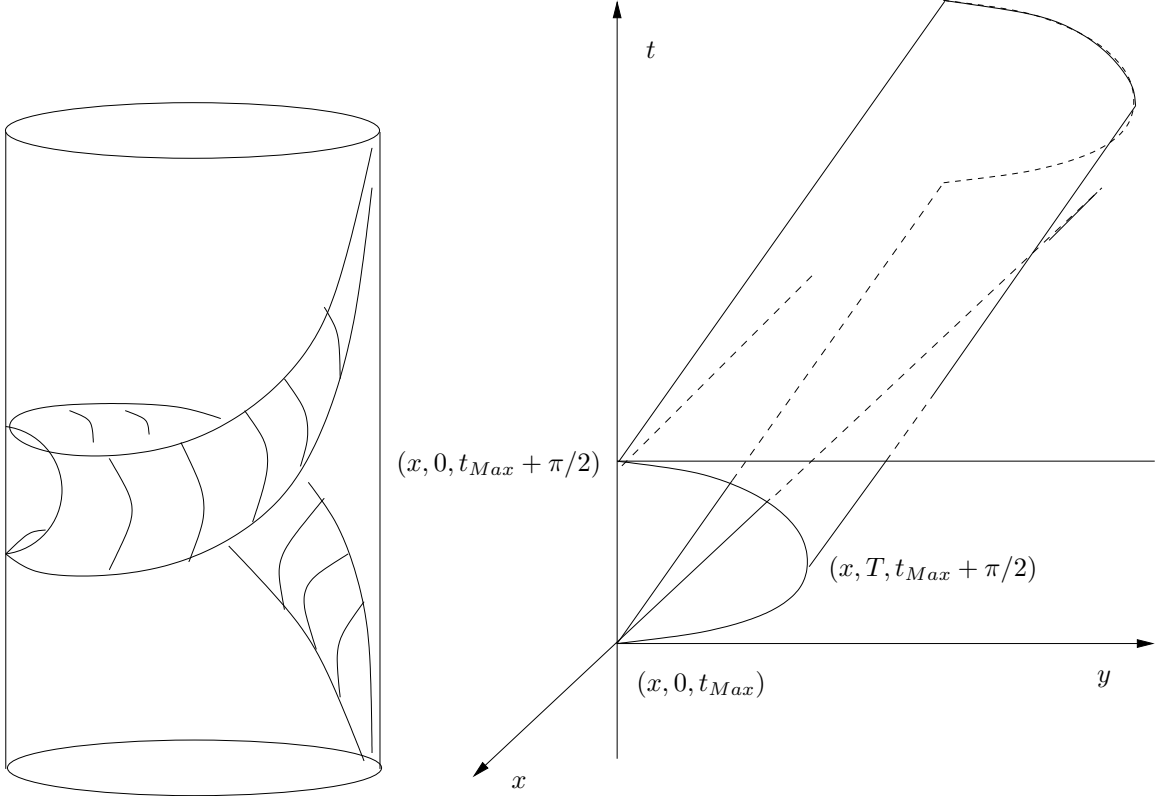


FIGURE 9. Surfaces S_T^λ in the disk model and half-space model of $\mathbb{H} \times \mathbb{R}$

The general case $\lambda \neq 0$ depends on a function α , a solution of the equation

$$\alpha''(1 + \lambda^2\alpha^2) + \alpha(1 + \lambda^2(\alpha')^2) = 0.$$

This equation has a first integral $(1 + \lambda^2\alpha'^2)(1 + \lambda^2\alpha^2) = T$ for some fixed constant $T > 1$. Since $\alpha'' < 0$ the curves $v \rightarrow (0, \alpha(v), v)$ are convex. For fixed $T > 1$, the function $\alpha_T(v)$ has its maximum value at $\sup \alpha_T(v) = \lambda^{-1}\sqrt{T-1}$. The function α_T is positive on a set $[0, v_0(T)]$. The solution $\alpha_T(v)$ with initial data $\alpha_T(0) = 0$ and $\alpha'(0) = \lambda^{-1}\sqrt{T-1}$ defines a one-parameter family of minimal surfaces

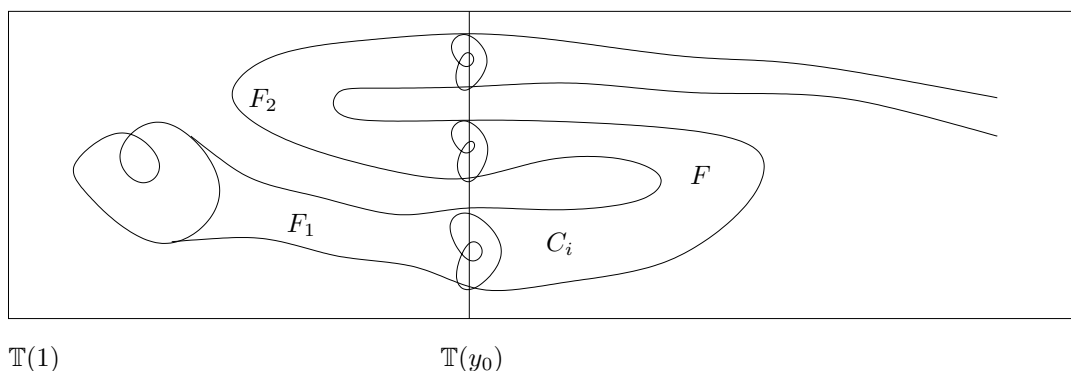
$$S_T^\lambda = \{(u, \alpha_T(v), v + \lambda u) \in \mathbb{R}^3; u \in \mathbb{R}, v \in [0, v_0(T)]\}.$$

For large values of T and fixed constant $M > 0$, we look for the set of values where $0 \leq \alpha_T(v) \leq M$. On this set we remark that

$$\alpha'^2 = \lambda^{-2} \left(\frac{T}{1 + \lambda^2\alpha^2} - 1 \right) \geq \lambda^{-2} \left(\frac{T}{1 + \lambda^2M^2} - 1 \right)$$

which implies that $\alpha'_T(v) \rightarrow \infty$ when $T \rightarrow \infty$. The part of the curve $(0, \alpha_T(v), v)$ contained in $0 < y \leq M$ converges to the half geodesic $\{(0, y, 0) \in \mathbb{R}^3; 0 < y \leq M\}$.

We summarize this discussion in the figure 9 and we will use the following lemma:


 FIGURE 10. An annular end in \mathcal{M}

Lemma 3.2. a) The family of surfaces S_T^0 , foliates the slab $\mathbb{H}^2 \times [0, \pi]$ and when T goes to infinity the surfaces S_T^0 converge on compact sets to the horizontal section $\mathbb{H}^2 \times \{0\}$.

b) The one-parameter family of surfaces S_T^λ converges on compact sets to $\{(x, y, t) \in \mathbb{R}^3; y > 0 \text{ and } t = \lambda x\}$.

4. TRAPPING THEOREM FOR MINIMAL ENDS

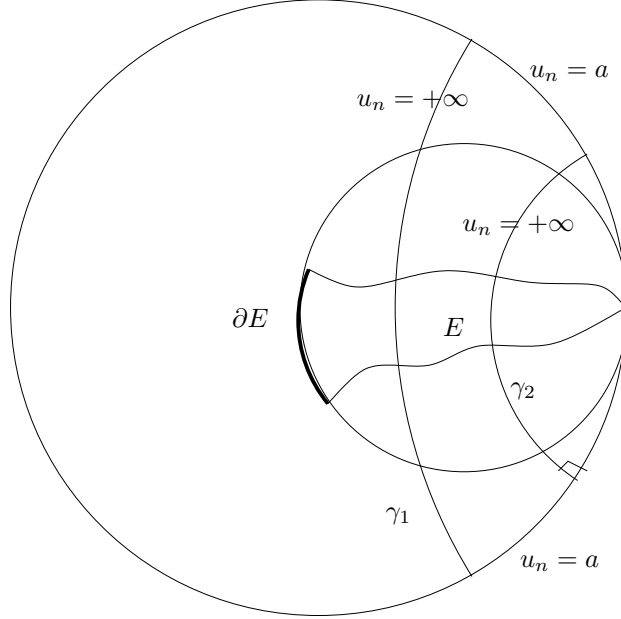
We consider a minimal surface Σ of finite topology, hence each end of Σ is an annular end. Since Σ is properly immersed, each end A_0 of Σ is contained in some end \mathcal{M} of $M \times \mathbb{S}^1$.

Lemma 4.1. There is $y_0 \geq 1$ and a sub-end A of A_0 such that $\partial A \subset \mathbb{T}(y_0)$, A is transverse to $\mathbb{T}(y_0)$ and $A \subset \cup_{y \geq y_0} \mathbb{T}(y)$.

Proof. Since Σ is properly immersed each end of Σ has a subend A_0 contained in some $\mathcal{M} = \cup_{y \geq 1} \mathbb{T}(y)$. A_0 is transverse to almost every $\mathbb{T}(y)$ so let $y_0 > 1$ be such that $\partial A_0 \subset \cup_{1 \leq y < y_0} \mathbb{T}(y)$, and A_0 is transverse to $\mathbb{T}(y_0)$. Then $A_0 \cap \mathbb{T}(y_0) = C_1 \cup \dots \cup C_k$, each C_j an immersed Jordan curve in $\mathbb{T}(y_0)$.

A_0 is proper so $A_0 \cap \mathbb{T}(y) \neq \emptyset$ for large y . Hence at least one of the C_j is not null homotopic in A_0 . Observe that there is at most one such C_j . For if C_i and C_j are not trivial then they bound a compact domain F in A_0 disjoint from ∂A_0 . F cannot be contained in $\cup_{1 \leq y < y_0} \mathbb{T}(y)$ since then F would touch some $\mathbb{T}(y_1)$, $y_1 < y_0$, on the mean convex side of $\mathbb{T}(y_1)$, a contradiction. So $F \subset \cup_{y \geq y_0} \mathbb{T}(y)$. But then, ∂A_0 and C_i or C_j (C_i say) would bound a compact F_1 on A_0 , $F_1 \cap C_j = \emptyset$. $A_0 - F_1$ is an annular sub-end of A_0 with boundary C_i contained in $\partial \mathbb{T}(y_0)$. Since $A_0 - F_1$ intersects $\mathbb{T}(y_0)$ also at C_j , there is a compact domain F_2 of $A_0 - F_1$ contained in $\cup_{1 \leq y < y_0} \mathbb{T}(y)$ with $\partial F_2 \subset \mathbb{T}(y_0)$; a contradiction; see figure 10.

Now it is clear that if each C_ℓ , $\ell \neq i$ bounds a disk D on A_0 that is contained in $\cup_{y \geq y_0} \mathbb{T}(y)$. It follows that the connected component of A in $\cup_{y \geq y_0} \mathbb{T}(y)$ that has C_i in its boundary has no other C_ℓ , $\ell \neq i$, in its boundary. This proves the lemma. \square

FIGURE 11. An annular end in \mathcal{M}

By a change of coordinates on \mathcal{M} , we can assume that the end A is in $\cup_{y \geq 1} \mathbb{T}(y)$ and $\partial A \subset \mathbb{T}(1)$. Let E be a connected component of the lift of A to $\mathbb{H} \times \mathbb{R}$. The boundary $\partial E \subset P := \{(x, y, t) \in \mathbb{R}^3; y = 1\}$ and E is transverse to P . There is (p, q) such that the curve ∂E is invariant by the isometry of $\mathbb{H}^2 \times \mathbb{R}$

$$\psi^p \circ T(h)^q : (x, y, t) \rightarrow (x + p\tau, y, t + qh).$$

We say that A and E are of type (p, q) . The curve ∂A is a curve of the torus $\mathbb{T}(1)$. We prove in the following lemma that $(p, q) \neq (0, 0)$

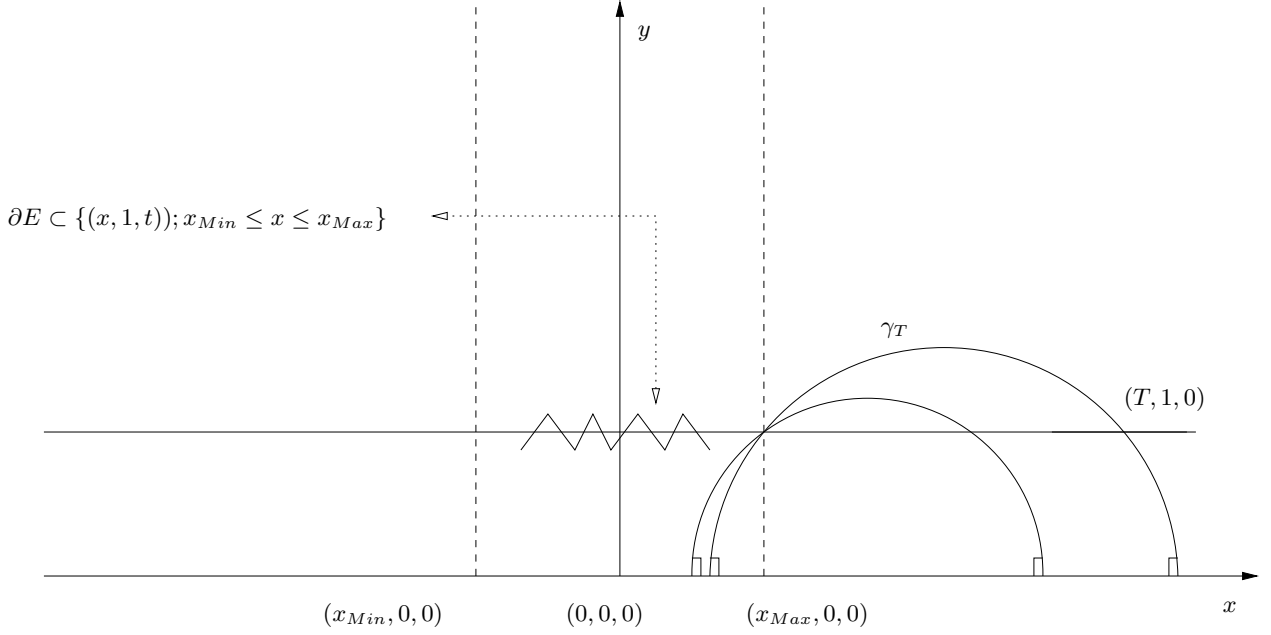
Lemma 4.2. *The end E is topologically a half-plane and ∂E is a non compact curve in P .*

Proof. Assume the contrary, and let E be a lifting of A to $\mathbb{H} \times \mathbb{R}$, E an immersed annulus in $\{y \geq 1\}$, $\partial E \subset H = \{y = 1\}$. We know the coordinate y is a proper function on E .

Denote by $\Pi : \mathbb{H} \times \mathbb{R} \rightarrow \mathbb{H} = \mathbb{H} \times \{0\}$, the vertical projection. Let γ_1, γ_2 be disjoint geodesics of \mathbb{H} , disjoint from $\Pi(\partial E)$, and that separate $\Pi(\partial E)$ from the point at infinity of \mathbb{H} ; see figure 11 (the set $\Pi(\partial E)$ is compact). Let $\Omega \subset \mathbb{H}$ be the domain of \mathbb{H} bounded by $\gamma_1 \cup \gamma_2$, so $\Pi(\partial E) \cap \Omega = \emptyset$.

For $a \in \mathbb{R}$, solve the Dirichlet problem on Ω to find a minimal graph over Ω , with asymptotic values $+\infty$ on $\gamma_1 \cup \gamma_2$, and a on $\partial_\infty(\Omega)$ (see Collin-Rosenberg [2]).

By varying a we obtain a first point of contact of the graph with E ; a contradiction. \square


 FIGURE 12. An annular end in \mathcal{M}

Now we prove that an end E of type (p, q) , $(p, q) \neq (0, 0)$ is trapped between two ends of type $E_{(p,q)}$:

Theorem 4.3. (The Trapping Theorem) *Let $A \subset \Sigma$ be a properly immersed end in \mathcal{M} with $\partial A \subset \mathbb{T}(1)$ and A transverse to $\mathbb{T}(1)$. If ∂A is a curve of type (p, q) in $\mathbb{T}(1)$, then A is contained in a slab on \mathcal{M} bounded by two standard ends $A_{(p,q)}$.*

Proof. We use the model of $\mathcal{M} = (H \times \mathbb{R})/[\psi, T(h)]$ and a connected component E of a lifting of A in $\mathbb{H}^2 \times \mathbb{R}$. We prove that E is contained in a slab bounded by two half-planes $E_{(p,q)}$ in $H \times \mathbb{R}$ where $H = \{(x, y) \in \mathbb{R}^2; y \geq 1\}$.

Case $(p, q) = (0, q)$. First we begin with the case where the curve ∂A is of type $(0, q)$. This means that the boundary ∂E is a periodic curve invariant by vertical translation $T(h)^q = T(qh)$. From this invariance of ∂E , we know there exists x_{Min} and x_{Max} such that $\partial E \subset \{(x, 1, t); x_{Min} \leq x \leq x_{Max}\}$.

Let $Q = \{(x, y) \in \mathbb{R}^2; x \geq x_{Max} \text{ and } y > 0\}$. Foliate Q by the geodesics γ_T whose end-points at infinity are $(x_{Max}, 0)$ and $(T, 0)$; $T > x_{Max}$. For $|T - x_{Max}| < 2$, $\gamma_T \cap \{y \geq 1\} = \emptyset$. Define $S_T = \gamma_T \times \mathbb{R}$; so $S_T \cap E = \emptyset$ for $|T - x_{Max}| < 2$.

Now let T increase to ∞ , so S_T converges to $\{(x_{Max}, y); y > 0\} \times \mathbb{R}$. Since E is periodic, S_T must be disjoint from E for all $T > 1$; otherwise there would be a first point of contact (i.e. the two surfaces cannot have a first contact point at infinity), contradicting the maximum principle (see figure 12)

The same argument using x_{Min} shows E is trapped between two standard ends of type $E_{(0,1)}$.

Case $(p, q) = (p, 0)$ Now ∂E is a curve invariant by $\psi^p(x, y, t) = (x + p\tau, y, t)$. Let t_{Min} and t_{Max} satisfy:

$$\partial E \subset \{(x, 1, t); t_{Min} \leq t \leq t_{Max}\}.$$

Translate the barriers of lemma 3.2, see figure 8,

$$S_T^0(t) := \{(u, T \sin v, v + t) \in \mathbb{R}^3; u \in \mathbb{R}, v \in [0, \pi]\} \text{ with } t \geq t_{Max}.$$

For $|T| \leq 1$, we have $S_T^0(t) \cap (H \times \mathbb{R}) = \emptyset$, and ∂E is below height $t = t_{Max}$. By lemma 3.2, the family $S_T^0(t_{Max})$ converges on compact sets to the horizontal section $t = t_{Max}$. For $t > t_{Max}$, t large, T_0 given, we have $S_{T_0}^0(t) \cap E = \emptyset$.

If $S_{T_0}^0(t_{Max}) \cap E \neq \emptyset$, then since E is periodic, there would be a first t_1 such that $S_{T_0}^0(t_1) \cap E \neq \emptyset$, contradicting the maximum principle. Thus E is below $t = t_{Max}$. The same argument with

$$\tilde{S}_T^0(t) := \{(u, T \sin v, v - \pi + t) \in \mathbb{R}^3; u \in \mathbb{R}, v \in [0, \pi]\} \text{ with } t \leq t_{Min}$$

shows E is above $t = t_{Min}$. Thus E is trapped between two standard ends of type $E_{(p,0)}$.

Case $(p, q) \neq (0, q), (p, 0)$. Now we use the family of barriers S_T^λ . ∂E is invariant by the isometry $\psi^p \circ T(h)^q : (x, y, t) \rightarrow (x + p\tau, y, t + qh)$ on $y = 1$. Thus there exists c_{Min}, c_{Max} such that

$$\partial E \subset \{(x, 1, t) \in \mathbb{R}^3; c_{Min} \leq p\tau t - qhx \leq c_{Max}\}.$$

We use S_T^λ of lemma 3.2 with $\lambda = \frac{qh}{p\tau}$; see figure 9.

$$S_T^\lambda(t) := \{(u, \alpha_T(v), v + \lambda u + t) \in \mathbb{R}^3; u \in \mathbb{R}, v \in [0, v_0(T)]\} \text{ with } t \geq c_{Max}/(p\tau)$$

For $T > 1$ fixed, there is $t_0 > c_{Max}/(p\tau)$ large so that $S_T^\lambda(t_0) \cap E = \emptyset$. Decreasing t from t_0 to $c_{Max}/(p\tau)$ we conclude (there is no first point of contact) that E is below $S_T^\lambda(c_{Max}/(p\tau))$ for any T . Let $T \rightarrow \infty$; the $S_T^\lambda(c_{Max}/(p\tau))$ converge to $\{(x, y, t) \in \mathbb{R}^3; p\tau t - qhx = c_{Max}\}$, hence

$$E \subset \{(x, y, t) \in \mathbb{R}^3; p\tau t - qhx \leq c_{Max}\}.$$

The same argument with

$$\tilde{S}_T^\lambda(t) := \{(u, \alpha_T(v), v + \lambda u - v_0(T) + t) \in \mathbb{R}^3; u \in \mathbb{R}, v \in [0, v_0(T)]\} \text{ with } t \leq c_{Min}/(p\tau)$$

shows that

$$E \subset \{(x, y, t) \in \mathbb{R}^3; p\tau t - qhx \geq c_{Min}\},$$

which completes the proof of the theorem. \square

5. THE DRAGGING LEMMA

Dragging Lemma 5.1. *Let $g : \Sigma \rightarrow N$ be a properly immersed minimal surface in a complete 3-manifold N . Let A be a compact surface (perhaps with boundary) and $f : A \times [0, 1] \rightarrow N$ a \mathcal{C}^1 -map such that $f(A \times \{t\}) = A(t)$ is a minimal immersion for $0 \leq t \leq 1$. If $\partial(A(t)) \cap g(\Sigma) = \emptyset$ for $0 \leq t \leq 1$ and $A(0) \cap g(\Sigma) \neq \emptyset$, then there is a \mathcal{C}^1 path $\gamma(t)$ in Σ , such that $g \circ \gamma(t) \in A(t) \cap g(\Sigma)$ for $0 \leq t \leq 1$. Moreover we can prescribe any initial value $g \circ \gamma(0) \in A(0) \cap g(\Sigma)$.*

Remark 5.2. *To obtain a $\gamma(t)$ satisfying the Dragging lemma that is continuous (not necessarily \mathcal{C}^1) it suffices to read the following proof up to (and including) Claim 1.*

Proof. When there is no chance of confusion we will identify in the following Σ and its image $g(\Sigma)$, $\gamma \subset \Sigma$ and $g \circ \gamma$ in $g(\Sigma) \subset N$. In particular when we consider embeddings of Σ there is no confusion.

Let $\Sigma(t) = g(\Sigma) \cap A(t)$ and $\Gamma(t) = f^{-1}(\Sigma(t))$, $0 \leq t \leq 1$ the pre-image in $A \times [0, 1]$.

When $g : \Sigma \rightarrow N$ is an immersion, we consider $p_0 \in g(\Sigma) \cap A(0)$, and pre-images $z_0 \in g^{-1}(p_0)$ and $(q_0, 0) \in f^{-1}(p_0)$. We will obtain the arc $\gamma(t) \in \Sigma$ in a neighborhood of z_0 by a lift of an arc $\eta(t)$ in a neighborhood of $(q_0, 0)$ in $\Gamma([0, 1])$ i.e. $g \circ \gamma(t) = f \circ \eta(t)$. We will extend the arc continuously by iterating the construction.

Since $\Gamma(t)$ represents the intersection of two compact minimal surfaces, we know $\Gamma(t)$ is a set of a finite number of compact analytic curves $\Gamma_1(t), \dots, \Gamma_k(t)$. These curves $\Gamma_i(t)$ are analytic immersions of topological circles. By hypothesis, $\Gamma(t) \cap (\partial A \times [0, 1]) = \emptyset$ for all t . The maximum principle assures that the immersed curves can not contain a small loop, nor an isolated point. Since $A(t)$ is compact and has bounded curvature, a small loop in $\Gamma(t)$ would bound a small disc D in Σ with boundary in A . Since A is locally a stable surface, we can consider a local foliation around the disc and find a contradiction with the maximum principle. We say in the following that $\Gamma(t)$ does not contain small loops.

Claim 1: We will see that for each t with $\Gamma(t) \neq \emptyset$, $t < 1$ there is a $\delta(t) > 0$ such that if $(q, t) \in \Gamma(t)$, then there is a \mathcal{C}^1 arc $\eta(\tau)$ defined for $t \leq \tau \leq t + \delta(t)$ such that $\eta(t) = (q, t)$ and $\eta(\tau) \in \Gamma(\tau)$ for all τ (there may be values of t where $\gamma'(t) = 0$).

Since $\Gamma(0) \neq \emptyset$, this will show that the set of t for which $\eta(t)$ is defined is a non empty open set. This defines an arc $\gamma(\tau)$ as a lift of $f \circ \eta(\tau) \subset A(\tau)$ in a neighborhood of $\gamma(t) \in \Sigma$.

First suppose $(q, t) \in \Gamma(t)$ is a point where $A(t) = f(A \times \{t\})$ and $g(\Sigma)$ are transverse at $f(q, t)$. Let us consider the \mathcal{C}^1 immersions

$$F : A \times [0, 1] \rightarrow N \times [0, 1] \text{ with } F(q, t) = (f(q, t), t)$$

$$G : \Sigma \times [0, 1] \rightarrow N \times [0, 1] \text{ with } G(z, t) = (g(z), t).$$

Let $\hat{M} = F(A \times [0, 1]) \cap G(\Sigma \times [0, 1])$ and $M = F^{-1}(\hat{M})$. $F(A \times [0, 1])$ and $G(\Sigma \times [0, 1])$ are transverse at $p = F(q, t)$. Thus \hat{M} is a 2-dimensional surface of $N \times [0, 1]$ near p . We consider $X(t)$ a tangent vector field along $\Gamma(t)$ and $JX(t)$ an orthogonal

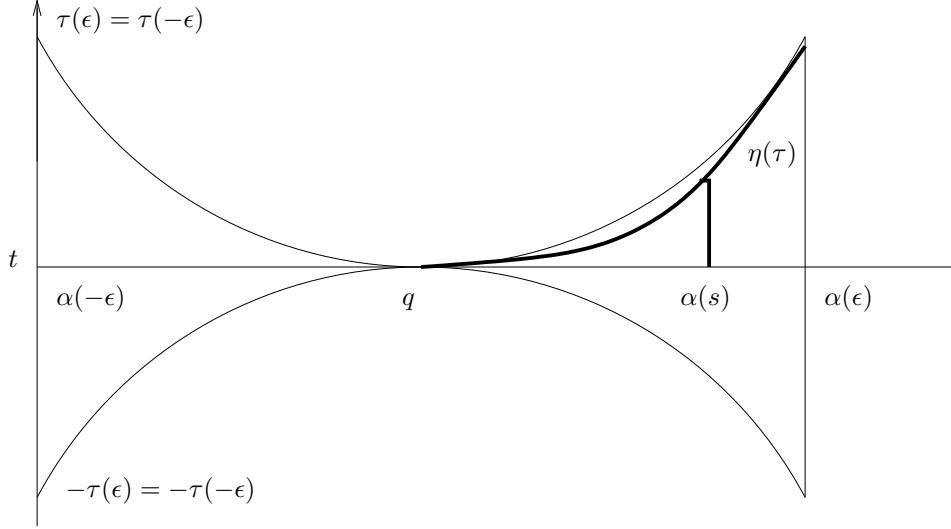


FIGURE 13. Neighborhood of a singular point

vector field to $X(t)$ in $T_{(q,t)}M$. If $\partial/\partial t \perp T_p\hat{M}$, then $T_p\hat{M} = T_{f(q,t)}A(t) = T_{f(q,t)}g(\Sigma)$ and (q, t) would be a non transverse point of intersection of $A(t)$ and $g(\Sigma)$. Thus $\langle JX(t), \partial/\partial t \rangle \neq 0$ and we can find $\eta(\tau)$ a smooth path, defined for $\tau \in [t - \delta(q), t + \delta(q)]$ such that $\eta(t) = (q, t)$ and $\eta'(t) = JX(t)$ is transverse to $\Gamma(t)$ at (q, t) .

By transversality and f being \mathcal{C}^1 in the variable t , we have a $\delta(q) > 0$ such that for $t - \delta(q) \leq \tau \leq t + \delta(q)$, $A(\tau)$ intersects $f \circ \eta(\tau)$ in a unique point and this point varies continuously with $t - \delta(q) \leq \tau \leq t + \delta(q)$. With a fixed initial point in Σ , a lift of $f \circ \eta(\tau)$, defines $\gamma(\tau) \in \Sigma$.

Again by transversality, we can find a neighborhood of (q, t) in $\Gamma(t)$ and a $\delta > 0$ so that the above path $\gamma(\tau)$ exists for $t - \delta \leq \tau \leq t + \delta$, through each point in the neighborhood of q . It suffices, to look for a local immersion of a neighborhood of 0 in T_pM into M , to obtain a \mathcal{C}^1 diffeomorphism $\psi : B(0) \subset T_pM \rightarrow M$. M has the structure of a \mathcal{C}^1 manifold in a neighborhood of points of transversality and this structure extends to $F^{-1}(M) \subset A \times [0, 1]$.

We will find a $\delta > 0$ that works in a neighborhood of a singular point $(q, t) \in \Gamma(t)$, where there is a $z \in \Sigma$ such that $f(q, t) = g(z)$ and $T_{f(q,t)}A(t) = T_{g(z)}g(\Sigma)$. We consider singularities of $\Gamma(t)$ where $A(t)$ and $g(\Sigma)$ are tangent. Near a singularity $(q, t) \in \Gamma(t)$, $\Gamma(t)$ contains $2k$ analytic curves intersecting at q at equal angles, $k \geq 1$. Let V be a neighborhood of q in A . The set $\Gamma(t) \cap V$ is $2k$ analytic curves. Let $\alpha :]-\epsilon, \epsilon[\rightarrow V \cap \Gamma(t)$ be a regular parametrization of one curve with $\alpha(0) = q$ and $\alpha(\pm\epsilon) \in \partial V$. By transversality as discussed in the previous paragraph $\langle JX(t), \partial/\partial t \rangle \neq 0$ at $\alpha(s)$ for $s \neq 0$ and $JX(t)$ can be integrated as a curve on M for $t - \delta(s) \leq \tau \leq t + \delta(s)$. Here $\delta(s)$ is a \mathcal{C}^1 function which can be chosen increasing with $\delta(0) = \delta'(0) = 0$.

There exists a \mathcal{C}^1 diffeomorphism $\phi : \Omega = \{(s, \tau) \in \mathbb{R}^2; -\epsilon \leq s \leq \epsilon, t - \delta(s) \leq \tau \leq t + \delta(s)\} \rightarrow M$ such that $\phi(s, t) = \alpha(s)$ for $s \in]-\epsilon, \epsilon[$ and $\phi(s, \tau) \in \Gamma(\tau)$ for

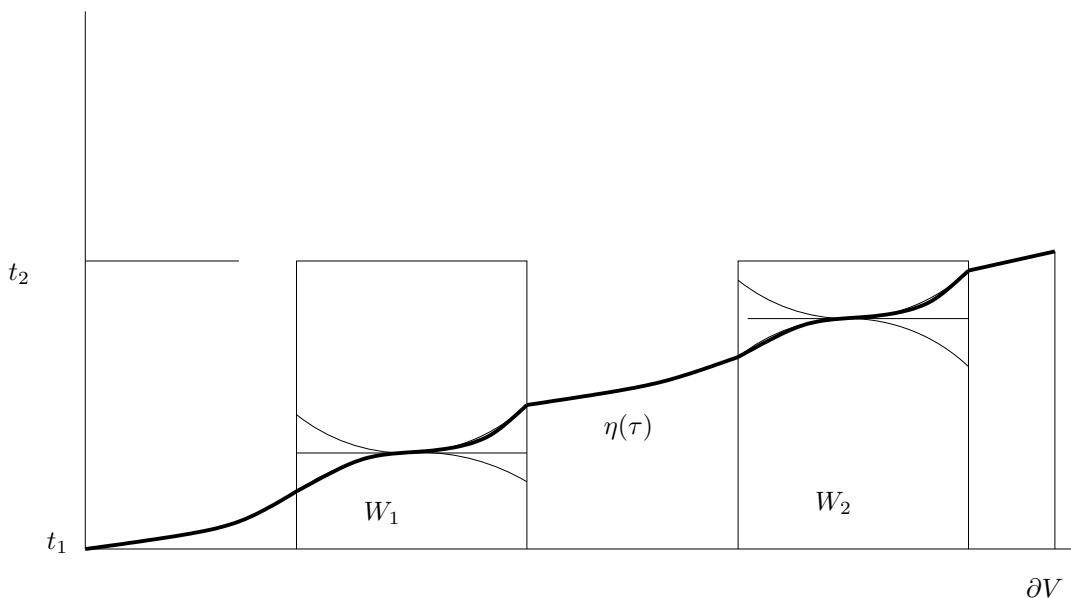


FIGURE 14. The curve $\eta(\tau)$ passing through several singularities.

$t - \delta(s) \leq \tau \leq t + \delta(s)$. We consider a function $\tau :]-\epsilon, \epsilon[\rightarrow \mathbb{R}$, such that $(s, \pm\tau(s)) \in \Omega$ and τ is increasing, $\tau(0) = \tau'(0) = 0$ and $\tau(\epsilon) = t + \delta(\epsilon)$, $\tau(-\epsilon) = t + \delta(-\epsilon)$.

Now we can construct a path $\eta(\tau) \in \Gamma(\tau)$ which joins (q, t) to a point in $\Gamma(t + \delta(\epsilon))$. The \mathcal{C}^1 arc $f \circ \eta(\tau)$, $t \leq \tau \leq t + \delta(\epsilon)$ is locally parametrized by $\phi(s, \tau(s))$, $s \in]0, \epsilon[$ and continuously extends to $f(q, t)$ when $\tau \rightarrow t$. Each point $\alpha(s)$, can be connected \mathcal{C}^1 , by the arc $\phi(s, \tau)$, $t \leq \tau \leq \tau(s)$ from $\alpha(s)$ to $\phi(s, \tau(s))$, and next a subarc of $\eta(\tau)$ for $\tau(s) \leq \tau \leq t + \delta(\epsilon)$ (see figure 13). The constant $\delta(\epsilon)$ depends only on $\alpha(\epsilon) = q_1$, and we note $\delta(q_1) := \delta(\epsilon)$.

Now there are a finite number of arcs α in $V - (q)$, with end points q and a collection of q_1, q_2, \dots, q_{2k} . So one has a $0 < \delta$ with $\delta < \delta(q_i)$ that works in a neighborhood of q . The claim is proved.

To complete the proof of the Drugging Lemma, it suffices to prove that $\gamma(t)$ extends \mathcal{C}^1 for any value of $t \in [0, 1]$. Assume that there is a point t_0 such that the arc $\gamma(t)$ is defined in a \mathcal{C}^1 manner for $t < t_0$. By compactness of A , the arc accumulates at a point $(q, t_0) \in \Gamma(t_0)$. Remark that the structure of M along $\Gamma(t_0)$ gives easily the existence of a continuous extension to t_0 . To ensure a \mathcal{C}^1 path through t_0 , we need a more careful analysis at (q, t_0) .

Claim 2: Suppose the path $\gamma(t)$ satisfies the conditions of the Drugging lemma for $0 \leq t \leq t_0 < 1$. Then $\gamma(t)$ can be extended to $0 < t < t_0 + \delta$, to be \mathcal{C}^1 and satisfy the conditions of the Drugging lemma, for some $\delta > 0$.

If (q, t_0) is a transversal point, M has a structure of a manifold and if $t_0 - \delta(t_0) < t_1 < t_0$ and $\eta(t_1) = (q_1, t_1)$ is in a neighborhood of (q, t_0) , we can find a \mathcal{C}^1 arc that joins $\eta(t_1)$ to $(q, t_0) \in \Gamma(t_0)$. Next we extend the arc for $t_0 \leq t \leq t_0 + \delta(t_0)$.

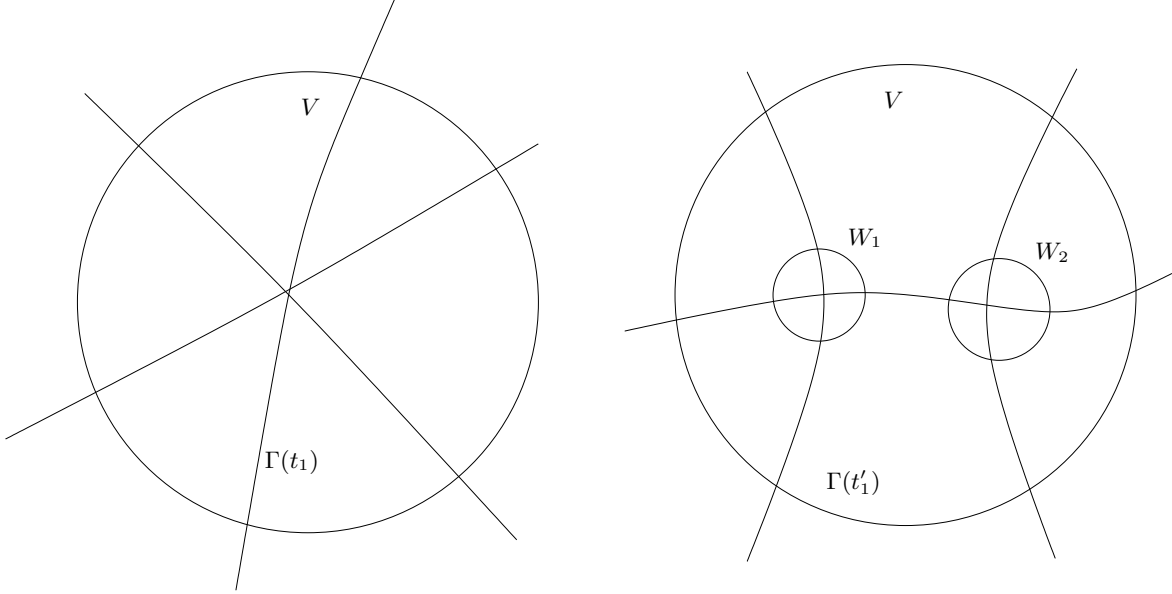


FIGURE 15. Left: The curve $\Gamma(t_1)$ -Right: The curve $\Gamma(t'_1)$.

If (q, t_0) is a singular point, we consider a neighborhood $V \subset A$ of q and $\Gamma(t_0)$ intersects ∂V in $2k$ transversal points q_1, \dots, q_{2k} . We consider $V \times [t_1, t_0]$ with $t_0 - \delta(t_0) < t_1 < t_0$. By transversality at $(q_1, t_0), \dots, (q_{2k}, t_0)$, the analytic set $\Gamma(t_1)$ intersects ∂V in $2k$ points and V in k analytical arcs $\alpha_1, \dots, \alpha_k$. We suppose that $\eta(t_1) \in \alpha_1 \subset V \times \{t_1\}$. We construct below a monotonous \mathcal{C}^1 arc from $\eta(t_1)$ to a point (\hat{q}, t_2) on $\partial V \times \{t_2\}$ for some $t_1 < t_2 < t_0$ and by transversality an arc from (\hat{q}, t_2) to a point $(q', t_0) \in \partial V \times \{t_0\}$, using the fact that $t_0 - \delta(t_0) < t_2$. Next we can extend the arc in a \mathcal{C}^1 manner from (q', t_0) to some point in $\Gamma(t_0 + \delta(t_0))$.

We consider $(\tilde{q}_1, t_1), \dots, (\tilde{q}_\ell, t_1)$ singular points of $\Gamma(t_1) \cap V \times \{t_1\}$ and we denote by W_1, \dots, W_ℓ neighborhoods of $\tilde{q}_1, \dots, \tilde{q}_\ell$ in $A \cap V$. The arc α_1 cannot have double points in V without creating small loops. Hence α_1 passes through each W_1, \dots, W_ℓ at most one time, before joining a point of ∂V (We can restrict V in such a way that there are no small loops in V).

First we assume that there is t_2 such that for any $t \in [t_1, t_2]$, the curve $\Gamma(t)$ has exactly one isolated singularity in each neighborhood $W_i \times \{t\}$ with the same type as $\tilde{q}_i \in \Gamma(t_1)$ ($i = 1, \dots, \ell$) and $t_2 < t_1 + \delta(t_1)$. If we parametrize $\alpha_1 : [s_0, s_{2\ell+1}] \rightarrow \Gamma(t_1)$, we can find $s_1, \dots, s_{2\ell}$ such that $\alpha_1(s_{2k-1}), \alpha_1(s_{2k}) \in \partial W_k$ and $I_k = [s_{2k-2}, s_{2k-1}]$ are intervals parametrizing transversal points in $\Gamma(t_1)$.

The manifold structure of M gives an immersion $\psi_j : I_j \times [t_1, t_1 + \delta] \rightarrow M$, $t_1 + \delta < t_2$ and $j = 1, \dots, \ell + 1$. In the construction of η up to t_1 , the singular points are isolated; then we can assume $\eta(t_1)$ is a regular point of $\Gamma(t_1)$, hence is contained in an $\alpha_1(I_j)$. We construct the beginning of the arc $\eta(\tau)$ as the graph parametrized by $\phi_j(s, \tau(s))$ with τ an increasing function from t_1 to $t_1 + \delta/n$ as s varies from $\hat{s} \in I_j$, corresponding

to the initial point $\eta(t_1) = \alpha_1(\hat{s})$, to s_{2j-1} . Next we pass through the singularity $(\tilde{q}_j, t_1 + 2\delta/n)$ by constructing an arc which joins the point $\phi_j(s_{2j-1}, t_1 + \delta/n) \in \Gamma(t_1 + \delta/n) \cap \partial W_j$ to the point $\phi_{j+1}(s_{2j}, t_1 + 3\delta/n) \in \Gamma(t_1 + 3\delta/n) \cap \partial W_j$ (see figure 14). For a suitable value of n we can iterate this construction, passing through the singularities $\tilde{q}_j, \tilde{q}_{j+1}, \dots$, until we join a point (\hat{q}, t_2) of $\partial V \times \{t_2\}$ and then we extend the arc up to t_0 by transversality outside V .

Now we look for this interval $[t_1, t_2]$. Let $t_1 < t'_1 < t_0$ and $\Gamma(t'_1)$ have several singularities in some neighborhood W_k , or a unique singularity of index less than the one of the \tilde{q}_k . We consider in this W_k a finite collection of neighborhoods of isolated singularities $W'_{k,1}, \dots, W'_{k,\ell}$. We observe, by transversality that there are the same number of components of $\Gamma(t_1)$ and $\Gamma(t'_1)$ in W_k (see figure 15). Hence each $W'_{k,j}$ contains a number of components of $\Gamma(t'_1)$ strictly less than the number of components of $\Gamma(t_1)$ in W_k . The index of the singularity is strictly decreasing along this procedure. We can iterate this analysis up to a point where each singularity can not be reduced to a simple one. This gives the interval $[t_1, t_2]$. □

6. COMPACT MINIMAL ANNULI

We now introduce the compact stable horizontal minimal annulus F_0 bounded by circles in vertical planes $P(c)$ and $P(-c)$ where $P(c) = \{(x, y, t) \in \mathbb{R}^3; y > 0 \text{ and } x = c\}$. We also foliate a tubular neighborhood $\text{Tub}(F_0)$ of F_0 by compact minimal annuli F_s , $-1 \leq s \leq 1$ and certain small balls B_ρ containing horizontal minimal annuli \mathcal{C}_ℓ .

We will now construct the stable compact annulus F_0 . Let η be a circle of radius one in the vertical plane $P(c)$, centered at $(c, y, 0)$. The metric induced on $P(c)$ is euclidean so circles make sense. As $y \rightarrow \infty$, $\text{dist}(\eta, P(0)) \rightarrow 0$. The disk of least area in $\mathbb{H}^2 \times \mathbb{R}$ bounded by η is the disk in $P(c)$ bounded by η (by the maximum principle). The area of this disk does not depend y . So for y large, there is a compact annulus in $\mathbb{H}^2 \times \mathbb{R}$ with one boundary in $P(0)$ and the other boundary η , whose area is less than the area of the disk in $P(c)$ bounded by η . Assume y is large. then by the Douglas criterium there is a least area annulus F_+ having one boundary η and the other in $P(0)$. Since F_+ has least area w.r.t. this boundary condition, $\partial F_+ \cap P(0)$ is orthogonal to $P(0)$. Hence F_0 , the symmetry of F_+ through $P(0)$, union F_+ , is a smooth compact minimal annulus orthogonal to $P(0)$ and $F_+ \cap P(0)$ is convex. The normal vector along this curve takes on all directions in the plane $P(0)$. Let σ be symmetry through $P(0)$, $\eta_- = \sigma(\eta)$, $F_- = \sigma(F_+)$. Observe that F_0 has least area with boundary $\eta \cup \eta_-$. For if B is an annulus with $\partial B = \eta \cup \eta_-$, write $B = B_+ \cup B_-$ where $B_+ = \{(x, y, t) \in \mathbb{R}^3; y > 0 \text{ and } 0 \leq x \leq c\} \cap B$, and $B_- = \{(x, y, t) \in \mathbb{R}^3; y > 0 \text{ and } -c \leq x \leq 0\} \cap B$. We know that the $\text{Area}(B_+) = |B_+| \geq \frac{|F_0|}{2}$ and $|B_-| \geq \frac{|F_0|}{2}$ so $|B| \geq |F_0|$. Thus F_0 is a stable annulus as desired. Let γ_1 be the geodesic joining $(c, y, 0)$ to $(-c, y, 0)$. We assume y large so that $\gamma_1 \cap F_0 = \emptyset$.

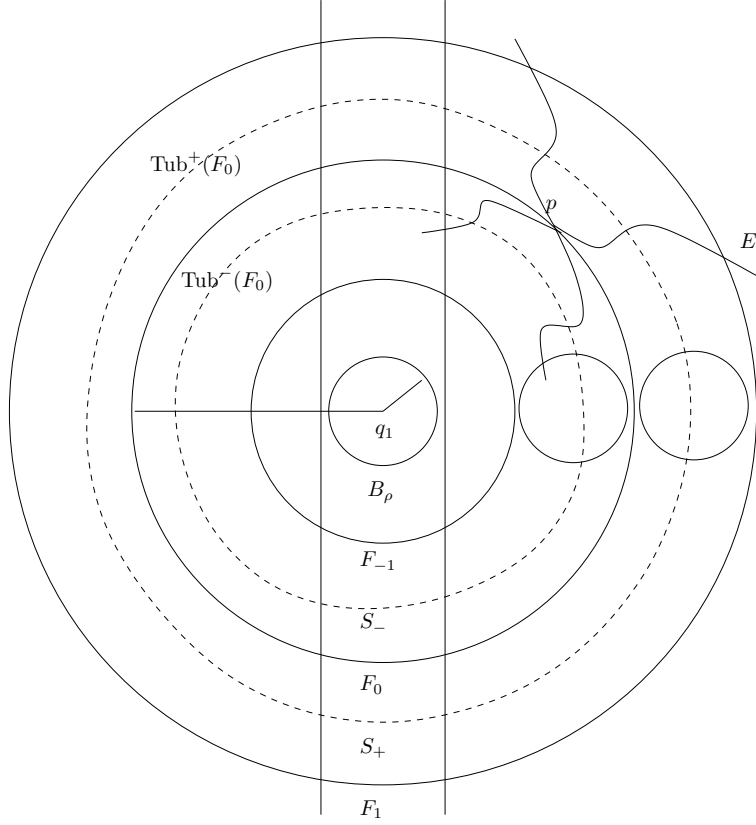


FIGURE 16.

Let $\eta(s)$ be equidistant circles of η in $P(c)$, for $|s|$ small, $\eta(0) = \eta$. Let $\eta_-(s) = \sigma(\eta(s))$ be equidistant circles in $P(-c)$, $\eta_-(0) = \eta_-$. Since F_0 is strictly stable, there is a $\delta > 0$ so that for $|s| \leq \delta$, there is a foliation of a tubular neighborhood $\text{Tub}(F_0)$, of F_0 by compact minimal annuli $F(s)$, with $\partial F(s) = \eta(s) \cup \eta_-(s)$. choose δ sufficiently small so that

$$\text{dist}(\text{Tub}(F_0), \gamma_1) > 0.$$

Let $\text{Slab}(c) = \{(x, y, t) \in \mathbb{R}^3; y > 0 \text{ and } |x| \leq c\}$. We denote by F_0^- the bounded component of $\text{Slab}(c) - F_0$, and by F_0^+ the other component of $\text{Slab}(c) - F_0$. The annuli F_s are inside F_0^- for $s \in [-1, 0]$ and inside F_0^+ for $s \in [0, 1]$.

We consider $\text{Tub}^-(F_0) = \cup_{s \in [-1, 0]} F_s$ and $\text{Tub}^+(F_0) = \cup_{s \in [0, 1]} F_s$; domains of $\mathbb{H}^2 \times \mathbb{R}$.

We consider the curves $S_+ = P(0) \cap F_{1/2}$ and $S_- = P(0) \cap F_{-1/2}$. There exists a constant $\rho > 0$, such that for any q of S_+ (or S_-) the geodesic ball $B_\rho(q)$ of geodesic radius ρ centered at q is contained in $\text{Tub}^+(F_0)$ (resp. $\text{Tub}^-(F_0)$).

We can find $\ell > 0$ such that any geodesic ball of radius ρ centered at q contains a small compact minimal annulus \mathcal{C}_ℓ bounded by two geodesic circles contained in $P(\ell) \cap B_\rho$ and $P(-\ell) \cap B_\rho$. We say in the following that \mathcal{C}_ℓ is centered at $q \in S_+ \cup S_-$. We denote by q_1 the point $\gamma_1 \cap P(0)$; see figure 17.

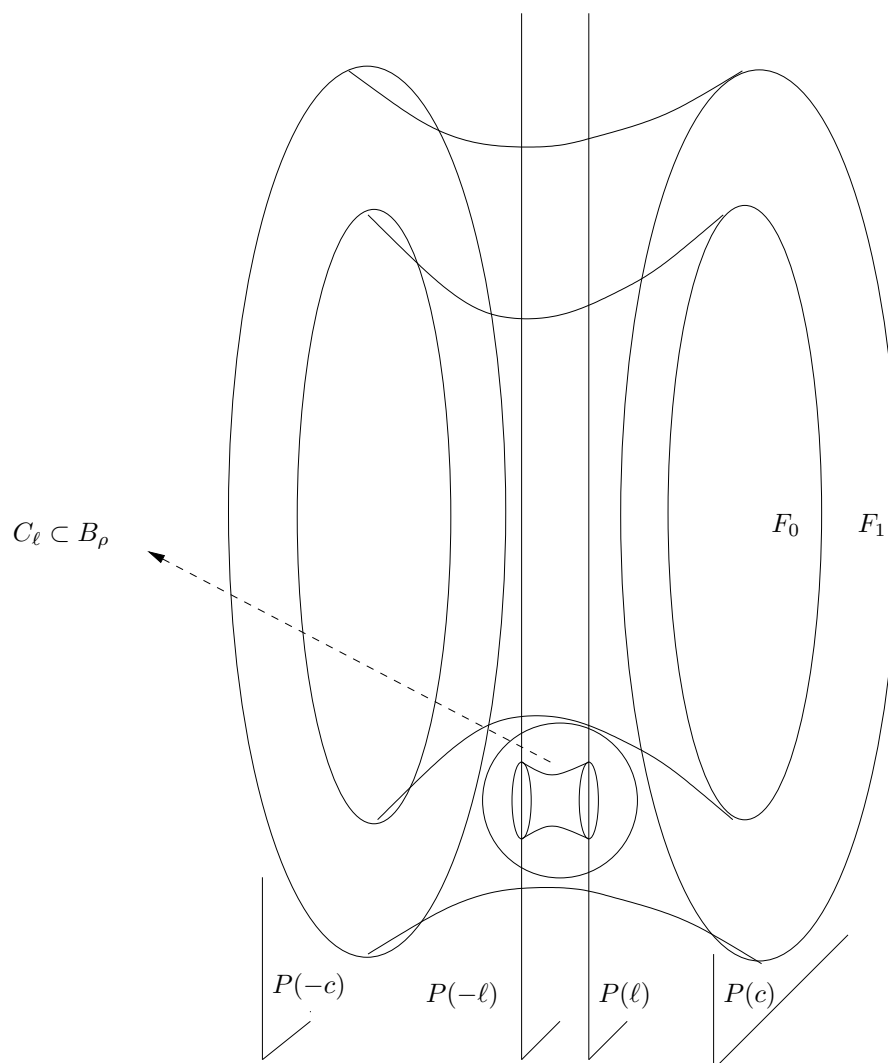


FIGURE 17.

In summary, we fix $\rho > 0$ such that

- (1) $3\rho < \text{dist}(F_0, \gamma_1)$,
- (2) $B_{2\rho}(q_1) \cap \text{Tub}^-(F_0) = \emptyset$
- (3) $B_\rho(q) \subset \text{Tub}^-(F_0)$ for any $q \in S_-$,
- (4) $B_\rho(q) \subset \text{Tub}^+(F_0)$ for any $q \in S_+$,

Now we clearly have the following:

Claim: Any continuous curve γ in the interior of $\text{Tub}^+(F_0) \cap \text{Slab}(\ell)$ (or $\text{Tub}^-(F_0) \cap \text{Slab}(\ell)$) joining F_0 to F_1 (or F_{-1}) intersects a compact annulus of the family $C_\ell(q) \subset \text{Tub}^+(F_0)$ (resp. $\text{Tub}^-(F_0)$) for some point $q \in S_+$ (reps. $q \in S_-$). The next proposition gives at least two components of Σ in F_0^- when F_0 is tangent to Σ at some point.

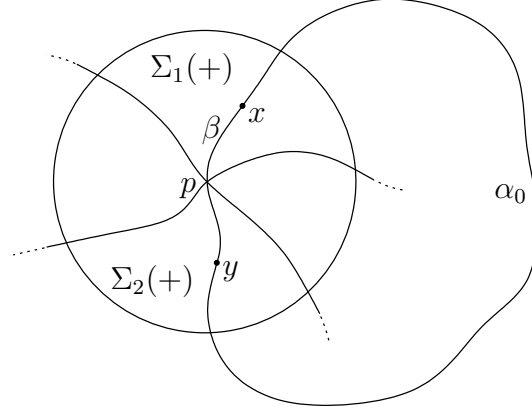


FIGURE 18.

Proposition 6.1. *Let Σ be a properly immersed minimal half-plane in $\text{Slab}(\ell)$. Suppose Σ is tangent to F_0 at p and $\partial\Sigma \cap F_0 = \emptyset$. Then there are at least two connected components of Σ in F_0^- . More precisely if $\Sigma_1(-)$ and $\Sigma_2(-)$ are distinct local components of Σ in F_0^- then $\Sigma_1(-)$ and $\Sigma_2(-)$ are in distinct components of $\Sigma \cap F_0^-$.*

Proof. If not we can find a path α_0 in $\Sigma \cap F_0^-$, joining a point $x \in \Sigma_1(-)$ and $y \in \Sigma_2(-)$. Then join x to y by a local path β_0 in Σ going through p , but $\beta_0 \subset F_0^-$ except at p (see figure 18). Let $\Gamma = \alpha_0 \cup \beta_0 \subset F_0^-$. Since Σ is a half-plane, Γ bounds a disk D in Σ . By construction D contains points in the interior of F_0^+ .

Hence there is a compact component of D in F_0^+ with boundary in F_0 . By the maximum principle $D \cap F_t \neq \emptyset$, $0 \leq t \leq 1$ and there is at least one point p_1 of $D \cap F_1$. Using compact annuli \mathcal{C}_ℓ inside $\text{Tub}^+(F_0)$, we can find an annulus $\mathcal{C}_\ell(q)$ which intersects D (by the claim). Now translate this catenoid in the interior F_0^+ to a point outside the convex hull of F_0 . Apply the Dragging lemma to obtain points of D outside the convex hull. This contradicts the maximum principle. \square

7. A FAMILY OF GRAPH BARRIERS

In this section we study a one parameter family of surfaces Σ_n graphs on a sequence of domains Ω_n of \mathbb{H}^2 bounded by two geodesics. In the unit disk model of $\mathbb{H}^2 = \{(x, y) \in \mathbb{R}^2; x^2 + y^2 < 1\}$, we consider two geodesics γ_n and γ_{-n} passing through the points $(-1 + 1/n, 0)$ and $(1 - 1/n, 0)$ and both orthogonal to $\{y = 0\}$. We consider the domain Ω_n bounded by γ_n and γ_{-n} (see figure 20, Left). We solve the minimal graph equation for a function $u_n : \Omega_n \rightarrow \mathbb{R}$ with $u_n = +\infty$ on $\gamma_n \cup \gamma_{-n}$ and $u_n = 0$ on $\partial_\infty \Omega_n$, the boundary at infinity of Ω_n .

The graph u_n has a line of curvature Γ_n over the geodesic $\gamma_0 = \{(x, y) \in \mathbb{H}^2; x = 0\}$. The following proposition describes the limit of the graphs Σ_n when $n \rightarrow \infty$.

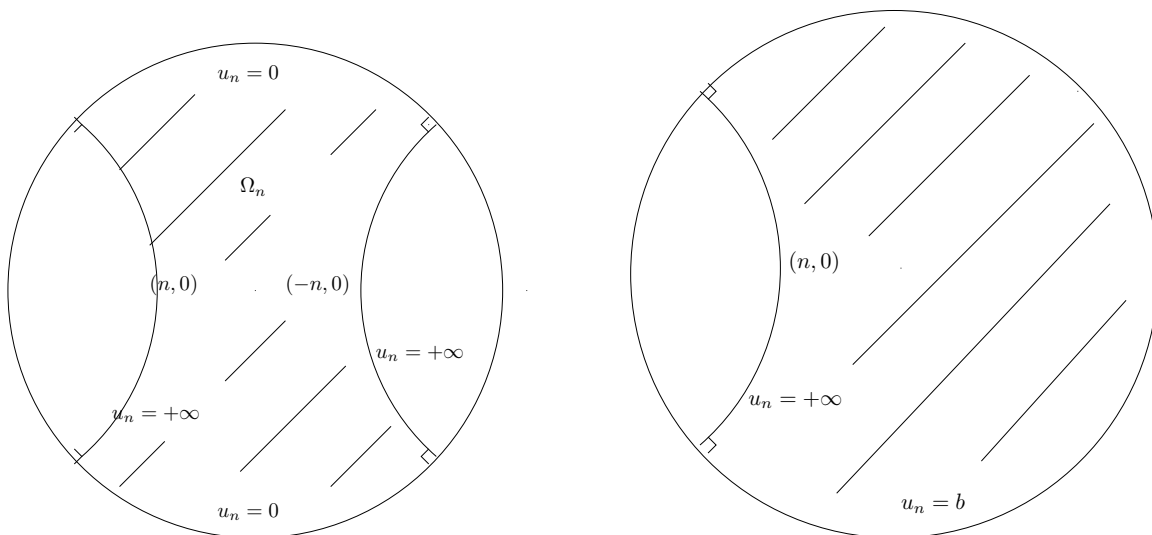


FIGURE 19. Left: Domain Ω_n of function u_n . Right: Domain of functions v_n .

Proposition 7.1. *The sequence of solutions of the minimal graph equation in the sequence of domains Ω_n with boundary data $u_n = +\infty$ on $\gamma_n \cup \gamma_{-n}$ and $u_n = 0$ on $\partial_\infty \Omega_n$, converge uniformly to the horizontal section $\mathbb{H}^2 \times \{0\}$.*

Proof. The sequence of domains Ω_n is an increasing sequence in \mathbb{H}^2 ; $\Omega_n \subset \Omega_{n+1}$. The maximum principle assures that the sequence is decreasing with $0 \leq u_{n+1}(q) \leq u_n(q)$ for any $q \in \Omega_n$. Hence the sequence of graphs Σ_n converges to an entire graph of a function $u_0 : \mathbb{H}^2 \rightarrow \mathbb{R}$. We will prove that $u_0 \equiv 0$.

It suffices to prove that $u_0 = 0$ on the geodesic γ_0 . If not we can assume that $\sup_{\gamma_0} u_n = a_n \geq b > 0$ and there is $p \in \gamma_0$ such that $u_0(p) = b$.

This point p exists because u_0 takes value 0 at infinity of γ_0 . This comes from the fact that (u_n) is a decreasing sequence hence $u_n = 0$ at infinity of Ω_n for any $n \in \mathbb{N}$.

We consider the sequence of minimal surfaces $\tilde{\Sigma}_n$ graphs of a function v_n on a domain V_n bounded by γ_n , with boundary data $v_n = +\infty$ on γ_n and $v_n = b$ on $\partial_\infty V_n$. This family of graphs is well known and Mazet, Rodriguez and Rosenberg proved in [8] that the sequence v_n converges uniformly to $v_0 \equiv b$, when $n \rightarrow \infty$.

We restrict the function $v_n : V_n \rightarrow \mathbb{R}$ to the domain W_n bounded by the geodesic γ_n and the geodesic γ_0 . On W_n we claim that the maximum principle applies to show that $v_n \geq u_0$. To see this it suffices to check for the inequality on the boundary of the domain W_n . On γ_n , the function $v_n = +\infty > u_0$ and on γ_0 , we have $v_n \geq b \geq u_0$. At the boundary at infinity $\partial_\infty V_n$ we have $v_n = b > 0 = u_0$.

Now let $n \rightarrow \infty$ to show that $v_n \rightarrow v_0 = b$ and $v_0 \geq u_0$. This proves by symmetry that the function $u_0 \leq b$. The point p of γ_0 where $u_0(p) = b$ is an interior maximum

point of the function, hence $u_0 = b$. This contradicts the fact that u_0 take the value 0 at the boundary at infinity of \mathbb{H}^2 . \square

We consider an end $E_{(1,0)}(c)$ contained in a slab $S = \{(x, y, t) \in \mathbb{R}^3; y \geq 1 \text{ and } -c_1 \leq t \leq c_1\}$ and we use the proposition 7.1 to obtain \mathcal{C}^0 convergence:

Proposition 7.2. *An end A of type $(p, 0)$ of a properly immersed minimal surface Σ in $M \times \mathbb{S}^1$ has third coordinate which has a limit at infinity i.e. that A converges in the \mathcal{C}^0 norm to $A_{(p,0)}$ at height $a \in]-c_1, c_1[$.*

Remark 7.3. *We will prove in the next proposition that A converges uniformly in the \mathcal{C}^2 norm to $A_{(p,0)}$ i.e; A is a graph converging uniformly to the cusp $A_{(p,0)}$ at height $\{t = a\}$.*

Proof. A covering E of A is contained in a slab bounded by $E_{(1,0)}(-c_1)$ and $E_{(1,0)}(c_1)$. We study the intersection of E with the level section $E_{(1,0)}(c) = \{(x, y, t) \in \mathbb{R}^3; y \geq 1 \text{ and } t = c\}$ with $c \in]-c_1, +c_1[$. If Γ is a compact component of $A \cap E_{(1,0)}(c)$ then $\Gamma \cap \partial A \neq \emptyset$. Otherwise Γ bounds a disc D or a subend A_0 . In both cases, the maximum principle of proposition 7.1 applies and $A = A_{(p,0)}$ i.e. A is a flat standard end of height c .

Varying the value $c \in]-c_1, +c_1[$, there is a value $a \in]-c_1, +c_1[$, such that the intersection $A \cap E_{(1,0)}(c)$ has a non compact component denoted by Γ . By proposition 7.1, $\Gamma \cap \partial E \neq \emptyset$. In the lift E of A , we consider two lifts of Γ denoted by Γ_1 and $\Gamma_2 := \psi \circ \Gamma_1$. The curves Γ_1, Γ_2 and a compact arc $\Gamma_3 \subset \partial E$ bound a fundamental domain, (see figure 19).

We consider a graph obtained by a translation σ_n of Σ_n of section 7 such that the geodesic γ_{-n} translates to a fixed geodesic $\bar{\gamma}$ which does not intersect $\Gamma_3 \subset \partial E$ and Σ_n is above E with boundary data $u_n = a$ at the boundary at infinity. The graph Σ_n has a line of curvature which is a graph over the translation of the geodesic γ_0 denoted by $\sigma_n \circ \gamma_0$ and the boundary curve γ_n is sent to $\sigma_n \circ \gamma_n$. We remark that $\sigma_n \circ \gamma_0$ is a distance n from $\bar{\gamma}$ and $\sigma_n \circ \gamma_n$ at a distance $2n$ from $\bar{\gamma}$.

We let $n \rightarrow \infty$ and fix the geodesic $\bar{\gamma}$, using the horizontal isometry σ_n . These graphs are conjugate to the graphs of the sequence u_n of proposition 7.1. We know that the graph over $\sigma_n \circ \gamma_0$ is converging to the height a , hence we see that the end A cannot have a point above the height a at infinity. We do the same with a symmetric graph with value $-\infty$ on the geodesic γ_{-n} and γ_{+n} . This proves that the end A is trapped between two graphs which have third coordinate going to the same value a . Hence the end A converges in the \mathcal{C}^2 norm to a cusp end $t = a$. \square

8. PROOF OF THE THEOREM IN $M \times \mathbb{S}^1$.

The surface Σ is properly immersed. By lemma 4.1, 4.2 and theorem 4.3, each end A lifts to E a half-plane trapped between two standard ends $E_{(p,q)}$. First we prove the theorem for an end of type $(0, p)$ and then we adapt the arguments to the general case.

Ends of type $(0, p)$; the vertical case. Since E is trapped between two vertical planes and the distance between two vertical planes tends to zero as $y \rightarrow \infty$, we can assume $E \subset \text{Slab}(\ell/2)$ where $\text{Slab}(c) = \{(x, y, t) \in \mathbb{R}^3; y > 0 \text{ and } |t| \leq c\}$, and $\partial E \subset \{y = y_0\}$. We will prove that when $p \in E$, and $y(p) > 3 + y_0$, then the killing field $\frac{\partial}{\partial x}$ is transverse to E at p . Then this sub-end of E is stable hence has bounded curvature. We will prove later that this gives the theorem in this case.

Suppose on the contrary that some p , with $y(p) > 3 + y_0$, has $\frac{\partial}{\partial x}|_p$ in $T_p E$. The annulus F_0 meets $P(0)$ orthogonally and the normal vector to this curve of intersection is in the plane $P(0)$ and takes all directions in this plane as one goes once around the curve.

Since $\frac{\partial}{\partial x}|_p \in T_p E$, the normal vector to E at p is in the plane $P(x = x(p))$. Thus we can translate F_0 to p (call F_0 this translated F_0) to be tangent to E at p . By a translation of less than $\ell/2$ we can assume $x(p) = 0$, so now $E \subset \text{Slab}(\ell)$. Recall that γ_1 is the geodesic joining the centers of the boundary circles of F_0 and $q_1 = \gamma_1 \cap P(0)$. Write $q_1 = (0, y_1, 0)$ with $y_1 > 2 + y_0$.

The convex hull of the foliation of $\text{Tub}^-(F_0) \cup \text{Tub}^+(F_0) \cup F_0$ has y coordinate at least the minimum of the y -coordinate of the boundary circles of $F(t)$ i.e. $y \geq y_0 + 1/2$ on the convex hull. Now we proved in the section 6, that this foliation contains a family of geodesic balls $B_\rho(q)$ of radius $\rho > 0$ centered at points $q \in S_+ \cup S_-$. We choose this constant ρ such that

$$3\rho < \text{dist}(F_0, \gamma_1) \text{ and } 4\rho < 1.$$

Each such geodesic ball $B(q)$ contains a compact annulus $\mathcal{C}_\ell(q)$ bounded by geodesic circles of radius δ contained in $P(\ell)$ and $P(-\ell)$.

Step 1: Construction of arcs on E . We know by proposition 6.1, that there are at least two connected components Σ_1, Σ_2 of $E - F_0$ that have p in their closure, and $\Sigma_1, \Sigma_2 \subset F_0^-$. Clearly, by the maximum principle, each of Σ_1, Σ_2 intersects each of the catenoids in the local foliation F_s about F_0 in F_0^- . In particular there is a $\tilde{q} \in S_-$ such that $\mathcal{C}_\ell(\tilde{q}) \cap \Sigma_1 \neq \emptyset$. Now translate $\mathcal{C}_\ell(\tilde{q})$ along the geodesic joining \tilde{q} to q_1 and apply the Drugging lemma to obtain a point $p_1 \in \Sigma_1 \cap \mathcal{C}_\ell(q_1) \subset B_\rho(q_1)$.

The same argument gives a point $p_2 \in \Sigma_2 \cap \mathcal{C}_\ell(q_1)$. Recall that p_1 and p_2 can not be joined by an arc in $E \cap F_0^-$ (we will use this later). Now we construct a loop μ in E . For a value $k_0 \in \mathbb{N}$ which will be defined in step 2, we consider Γ_+ to be the euclidean segment joining $q_1 = (0, y_1, 0)$ to $(0, y_1, k_0 h + 2\rho)$, together with the segment joining $(0, y_1, k_0 h + 2\rho)$ to $z = (0, y_0, k_0 h + 2\rho)$. We will connect the point p_1 and p_2 by an arc in E which stays in a tubular neighborhood of $\Gamma_+ \cup \partial E$. We note by $\text{Tub}_\rho(\Gamma_+)$ the tubular neighborhood of geodesic radius ρ along Γ_+ . We parametrize the curve Γ_+ in a piecewise \mathcal{C}^1 -monotone manner by $q(\bar{t}), 0 \leq \bar{t} \leq 1$ and we move $B_\rho(q_1)$ along $q(\bar{t})$, from q_1 to $z = (0, y_0, k_0 h + 2\rho)$, by $B_\rho(q(\bar{t}))$. Each ball $B_\rho(q(\bar{t}))$, $q \in \Gamma_+$ contains the catenoid $\mathcal{C}_\ell(q(\bar{t}))$ and the Drugging lemma then gives two continuous paths $\sigma_1^+(\bar{t}), \sigma_2^+(\bar{t})$ starting at p_1, p_2 respectively such that $\sigma_i^+(\bar{t}) \in E$ for $0 \leq \bar{t} \leq 1$.

We apply the Dragging lemma up to the value $q(1) = z$ and $\sigma_i^+(1) \in B_\rho(z)$ for $i = 1, 2$. Since $\tilde{p}_1 = \sigma_1^+(1)$ and $\tilde{p}_2 = \sigma_2^+(1)$ are in $\partial E \cap B_\rho(z)$, we can find a path σ_{12}^+ in ∂E from \tilde{p}_1 to \tilde{p}_2 . We have $t(\tilde{p}_1), t(\tilde{p}_2) \in [k_0h + \rho, k_0h + 3\rho]$. We will prove in step 2, that we can find a path $\sigma_{12}^+ \in \partial E$ from \tilde{p}_1 to \tilde{p}_2 such that for all $p \in \sigma_{12}^+$, $t(p) \in [\rho, k_0h + 3\rho]$.

Assuming this, we have constructed a path μ^+ in E from p_1 to p_2 which is

$$\mu^+ = \sigma_1^+ \cup \sigma_{12}^+ \cup \sigma_2^+.$$

The arcs $\sigma_1^+(\bar{t}), \sigma_2^+(\bar{t})$ are contained in $T_\rho(\Gamma_+)$. The arcs of σ_1^+ and σ_2^+ from p_1 to F_0 and p_2 to F_0 are disjoint (see proposition 6.1) since $\sigma_1^+ \subset \Sigma_1$ and $\sigma_2^+ \subset \Sigma_2$ in $\text{Tub}^-(F_0)$.

Moreover the paths are quasi-monotone along the segment of Γ_+ in $\text{Tub}(\Gamma_+)$: once the catenoids $C_\ell(q), q \in \Gamma_+$ have advanced along Γ_+ a distance 2ρ , the paths σ_1^+ and σ_2^+ do not return to the ρ -ball where they started.

If the arcs $\sigma_1^+(\bar{t})$ and $\sigma_2^+(\bar{t})$ remain disjoint for $\bar{t} \leq 1$, we do not change μ^+ . If the arcs intersect then at the first point of intersection p_3 we replace μ^+ by the path on σ_1^+ from p_1 to p_3 union the path on σ_2^+ from p_2 to p_3 . Such a point p_3 is necessarily outside $F_{-1/2}$.

Step 2: The boundary ∂E . Now we study the boundary of the annulus and the function $t : \partial E \rightarrow \mathbb{R}$ the restriction of the third coordinate in the model of the half-plane. We parametrize the boundary curve ∂E by the immersion $C : \mathbb{R} \rightarrow \mathbb{H}^2 \times \mathbb{R}, C(s) = (x(s), y_0, t(s))$ with period

$$C(s+1) = (x(s+1), y_0, t(s+1)) \longrightarrow (x(s), y_0, t(s) + h).$$

The diameter is defined by

$$G := \sup_{s_1, s_2 \in [0, 1]} |t(s_1) - t(s_2)|$$

and choose $k_0 \in \mathbb{N}$ such that $K = k_0h \geq G$. We consider the intersection of ∂E with a transverse plane to the curve $P(\alpha) := \{(x, y, t) \in \mathbb{R}^3; y = y_0, t = \alpha\}$. Since C is a proper immersed curve, we have a finite number of intersection points

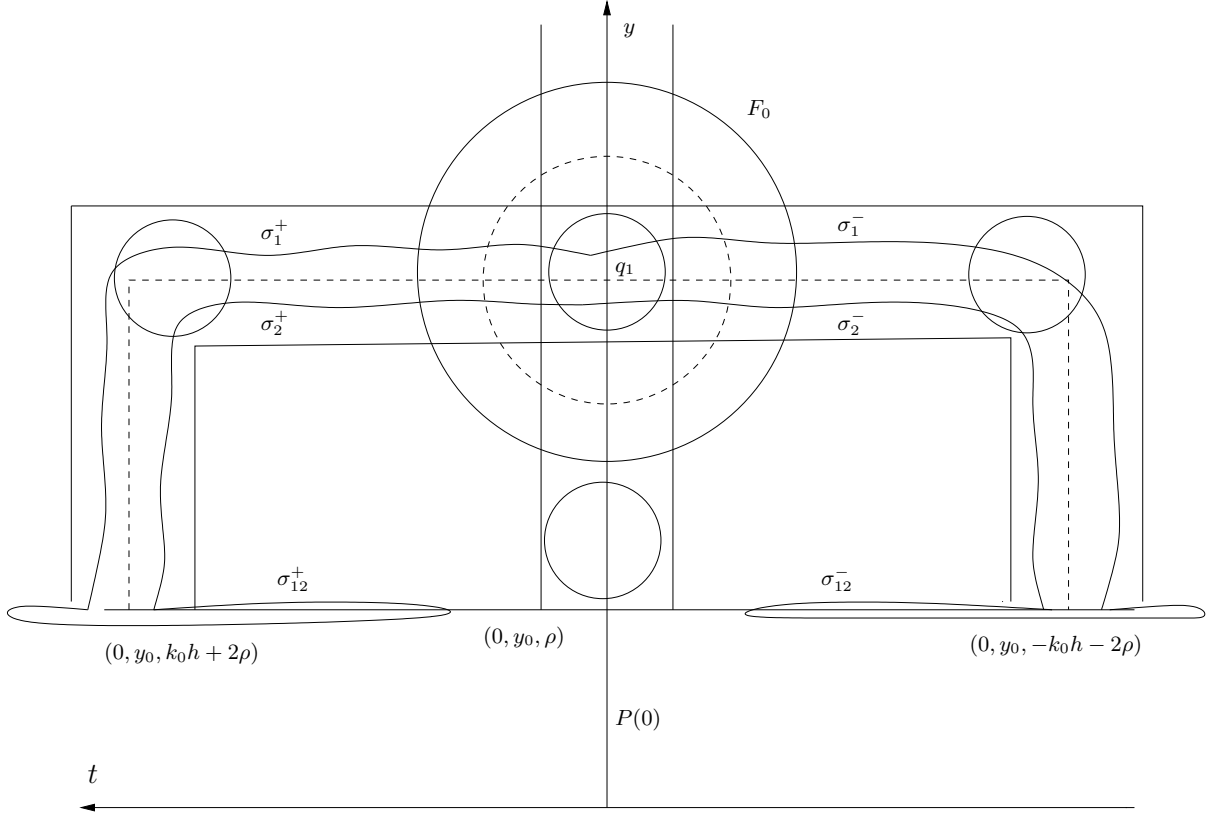
$$C(s) \cap P(\alpha) = \{C(s_1), \dots, C(s_\ell)\}.$$

We claim that $(s_i)_{1 \leq i \leq \ell} \in [s_1 - k, s_1 + k]$. To see this we remark that if $s_1 + 1 + k' \geq s \geq s_1 + k' \geq s_1 + k$, we have

$$t(s) - \alpha = t(s) - t(s_1 + k') + t(s_1 + k') - t(s_1) \geq k'\tau - G \geq k_0\tau - G > 0.$$

Hence independently of the choice of α , two points of ∂E with the same t coordinate are connected by a sub-arc Γ of ∂E with $t(\Gamma) \subset [\alpha - K, \alpha + K]$. Two points of ∂E with coordinate $t_1 \leq t_2$ can be connected in ∂E by a sub-arc Γ with $x(\Gamma) \in [t_1 - K, t_2 + K]$.

Step 3: A loop μ in E . In step 1, we constructed an arc $\mu^+ = \sigma_1^+ \cup \sigma_{12}^+ \cup \sigma_2^+$ which joins the points p_1 and p_2 and $\mu^+ \subset \text{Tub}_\rho(\Gamma_+) \cup \partial E$. Now do this construction in


 FIGURE 20. Construction of the arc Γ

the half-space $\{x \leq 0\}$ to obtain a path μ^- joining p_1 to p_2 with similar properties. Let Γ_- be the segment from $q_1 = (0, y_1, 0)$ to $(0, y_1, -k_0h - 2\rho)$, together with the segment joining $(0, y_1, -k_0h - 2\rho)$ to $z = (0, y_0, -k_0h - 2\rho)$. Move $B_\rho(q_1)$ in a \mathcal{C}^1 -monotone manner along Γ_- and we use the Drugging lemma as before to construct arcs $\sigma_1^-(\bar{t}), \sigma_2^-(\bar{t})$ in E . We note by $\text{Tub}_\rho(\Gamma_-)$ the tubular neighborhood of geodesic radius ρ along Γ_- . We follow the arc $\sigma_1^-(\bar{t}), \sigma_2^-(\bar{t})$ up to points of ∂E . As in step 2, we construct the arc σ_{12}^- , so that points $p \in \sigma_{12}^-$ have coordinate $t(p) \subset [-k_0h - \rho, -\rho]$.

Finally we consider; see figure 20

$$\mu^- = \sigma_1^- \cup \sigma_{12}^- \cup \sigma_2^-.$$

and we let μ be the loop $\mu^+ \cup \mu^-$. μ is contained in $\text{Tub}_\rho(\Gamma_+ \cup \Gamma_-)$. If the arcs $\sigma_1^-(\bar{t})$ and $\sigma_2^-(\bar{t})$ remain disjoint for $\bar{t} \leq 1$, we do not change μ^- . If the arcs intersect then at the first point of intersection p_4 we replace μ^- by the path on σ_1^- from p_1 to p_4 union the path on σ_2^- from p_2 to p_4 . Such a point p_4 is necessarily outside $F_{-1/2}$.

The end E is an immersed half-plane $X : \Omega = \{(u, v) \in \mathbb{R}^2; v \geq 0\} \rightarrow \mathbb{H}^2 \times \mathbb{R}$ with $X(\Omega) = E$. The loop $\mu \subset E$ is immersed and we denote by $\hat{\mu} = X^{-1}(\mu)$ the pre-image of μ in Ω .

In the Dragging lemma, we constructed the arc μ locally and then extended it. The preimage $\hat{\mu}$ is locally embedded in Ω . The arc $\hat{\mu}$ can have self-intersections. If \hat{p} is one of them, we consider the sub-arc γ of $\hat{\mu}$ with end points \hat{p} . This sub-arc γ bounds a disk in Ω . We remove these sub arcs to obtain a piecewise \mathcal{C}^1 connected curve in Ω without self-intersecting points. This defines a closed Jordan curve which bounds a disk D in Ω . The immersion $X(D)$ is a minimal disk in $\mathbb{H}^2 \times \mathbb{R}$ with boundary an immersed connected curve contained in $\text{Tub}_\rho(\Gamma_+ \cup \Gamma_-) \cup \partial E$. Now we analyze the geometry of the disk $X(D)$.

Consider the plane defined by $P(0) = \{(x, y, t) \in \mathbb{R}^3; y \leq y_0 \text{ and } t = 0\}$. This plane separates $\Gamma_+ \cup \Gamma_-$ in two connected components.

We denote by $\tilde{\mu} = \partial X(D)$ the boundary of the minimal disk. Let $\tilde{\mu}_1 = \tilde{\mu} \cap (\sigma_1^+ \cup \sigma_1^-)$ and $\tilde{\mu}_2 = \tilde{\mu} \cap (\sigma_2^+ \cup \sigma_2^-)$ be the connected components of the loop in E containing p_1 and p_2 respectively. The end points of $\tilde{\mu}_1, \tilde{\mu}_2$ are in different half-spaces determined by $\{x = 0\}$ (one end point has $x > \rho$ and the other $x < -\rho$). Thus the plane $P(0)$ intersects $\tilde{\mu}_1$ and $\tilde{\mu}_2$, each one in an odd number of points.

Now we will obtain a contradiction by proving that $P(0) \cap \tilde{\mu}_1$ is an even number of points. One translates horizontal catenoids $\mathcal{C}_\ell(q)$, $q \in E(0) \cap P(0)$, starting far from μ to see that before \mathcal{C}_ℓ touches a ρ -tubular neighborhood of μ , one does not touch the disk $X(D)$. Hence $X(D) \cap P(0)$ is contained in $F_0^- \cap \text{Tub}_\rho(\Gamma_+ \cup \Gamma_-)$.

In F_0^- the sub arc $\tilde{\mu}_1 \subset \Sigma_1$ and $\tilde{\mu}_2 \subset \Sigma_2$ cannot be connected. Hence a connected arc $\gamma \subset X(D) \cap P(0)$ must have end points either in Σ_1 or in Σ_2 . This means that there are an even number of point of $\tilde{\mu}_1 \cap P(0)$ on $\partial D = \mu$. This contradicts the odd intersection number of each arc with $P(0)$.

This proves that E is a graph for $y \geq y_0 + 2R$.

Ends of type (p, q) , tilted planes. Next we prove the theorem when E is trapped between two tilted (not horizontal) planes $E(p, q)$. We can suppose E is contained a tilted slab S of the form, for some $c_1 > 0$:

$$S = \{(x, y, t) \in \mathbb{R}^3; y > 0 \text{ and } -c_1 \leq p\tau t - qhx \leq c_1\}.$$

Since S is converging to a vertical slab as $y \rightarrow \infty$, there is a $y_0 > 1$ so that if $p \in E$, $y(p) \geq y_0$, then the catenoid $\mathcal{C}_\ell(p)$ in $B_\rho(p)$, has both its boundary circles outside of S . To see this, we use an isometry which leaves the slab S invariant and takes $p \in E$ to a point $\tilde{p} = (x, y, 0)$. Observe that $S \cap \{|t| \leq 1\}$ is in a vertical slab bounded by $P(-c_2)$ and $P(c_2)$, where c_2 depends on $p\tau$ and qh . Then for any point $\tilde{p} = (x, y, 0)$ with $|x| \leq c_2$, $\mathcal{C}_\ell(\tilde{p}) \subset B_\rho(\tilde{p})$ has boundary circles outside of the slab bounded by $P(d)$ and $P(-d)$ for $d \geq c_2$, and y greater than some y_0 (using that $(x, y, t) \rightarrow (\lambda x, \lambda y, t)$ is an isometry). This property is invariant by changing $\tilde{p} = (x, y, 0)$ to $p = (x + p\tau, y, t + qh)$.

We will prove that a sub-end of E is transverse to $\frac{\partial}{\partial x}$ for large y . Suppose this is not the case. We proceed exactly as in the case E is trapped between vertical planes to find $p_1, p_2 \in E \cap B_\rho(q_1)$, q_1 the center of a horizontal catenoid F_0 , and p_1, p_2 can not

be joined by a path in E that is inside F_0 . The proof is modified in our choice of $\Gamma = \Gamma_+ \cup \Gamma_-$, and a loop in E passing through p_1 and p_2 .

We denote by \vec{u} the unit vector director of the straight line $\{(x, y, t) \in \mathbb{R}^3; p\tau t - qhx = 0 \text{ and } y = y_0\}$. For a value $k_0 \in \mathbb{N}$ which depends on the diameter of the periodic boundary curve, we consider Γ_+ be the euclidean segment joining $q_1 = (0, y_1, 0)$ to $q_1 + (k_0h + 2\rho)\vec{u}$, together with the segment joining $q_1 + (k_0h + 2\rho)\vec{u}$ to $z = (0, y_0, 0) + (k_0h + 2\rho)\vec{u}$. We connect the point p_1 and p_2 by an arc in E which stays in a tubular neighborhood of $\Gamma_+ \cup \partial E$.

Let Γ_- be the segment from $q_1 = (0, y_1, 0)$ to $(0, y_1, 0) - (k_0h + 2\rho)\vec{u}$, together with the segment joining $(0, y_1, 0) - (k_0h + 2\rho)\vec{u}$ to $z = (0, y_0, 0) - (k_0h + 2\rho)\vec{u}$. We connect the point p_1 and p_2 by an arc in E which stays in a tubular neighborhood of $\Gamma_- \cup \partial E$.

Then the argument is the same to obtain a contradiction with $\Gamma = \Gamma_+ \cup \Gamma_-$.

Ends of type $(p, 0)$, horizontal planes. Let E be a half-plane end (lifting of $A \subset \mathcal{M}$) to $\mathbb{H} \times \mathbb{R}$, between the planes $t = \pm d$, with $\partial E \subset \{y = 1\}$, ∂E invariant by the isometry $(x, y, t) \rightarrow (x + \tau, y, t)$. By proposition 7.2, we can assume $t \rightarrow 0$ on E as $y \rightarrow \infty$. So for y_0 large, the sub-end of E given by $y \geq y_0$ is between planes $t = \pm c$ for any small $c > 0$.

Let η be a circle of radius one in $\{t = c\}$ and let η_- be η translated vertically to a circle in $\{t = -c\}$. for c small enough, $\eta \cup \eta_-$ bounds a stable (rotational) annulus F_0 . F_0 is a bigraph over $\{t = 0\}$. Now we assume y_0 chosen so that E is between $t = \pm c$ for $y \geq y_0$ and then $\partial F_0 \subset \{t = \pm c\}$.

As in section 6, where E was trapped between two vertical planes and F_0 was a horizontal catenoid, we define $B_\rho(q)$, \mathcal{C}_ℓ in the same manner, with \mathcal{C}_ℓ a vertical catenoid. We choose y_0 large enough so that E is between $t = \pm \ell/2$ and \mathcal{C}_ℓ has its boundary circles in $t = \pm \ell$ for $y \geq y_0 + 3$.

Suppose p is in E , $y(p) \geq y_0 + 3$, and E has a vertical tangent plane at p . Then one places a vertical catenoid F_0 to be tangent to E at p (after a small translation) and one obtains $p_1, p_2 \in E \cap B_\rho(q)$, q the center of F_0 , such that p_1, p_2 can not be joined by a path in E that is inside F_0 .

For a value $k_0 \in \mathbb{N}$ which depends on the diameter of the periodic boundary curve, we consider Γ_+ be the euclidean segment joining $q_1 = (0, y_1, 0)$ to $(k_0h + 2\rho, y_1, 0)$, together with the segment joining $(k_0h + 2\rho, y_1, 0)$ to $z = (k_0h + 2\rho, y_0, 0)$. We connect the points p_1 and p_2 by an arc in E which stays in a tubular neighborhood of $\Gamma_+ \cup \partial E$.

Let Γ_- be the segment from $q_1 = (0, y_1, 0)$ to $(-k_0h - 2\rho, y_1, 0)$, together with the segment joining $(-k_0h - 2\rho, y_1, 0)$ to $z = (-k_0h - 2\rho, y_0, 0)$. We connect the point p_1 and p_2 by an arc in E which stays in a tubular neighborhood of $\Gamma_- \cup \partial E$. We apply now the same argument to obtain a contradiction.

Finite total curvature. We proved that a minimal annulus is trapped in Slab and is a killing multigraph outside a compact set $K_0 \subset M \times \mathbb{S}^1$. These graphs are stable, hence they have bounded Gaussian curvature. They are contained in a euclidean slab whose hyperbolic width tends to zero at infinity.

In the horizontal case with A asymptotic to $A_{(p,0)}$, the end A has a limit for its third coordinate. Since the curvature is bounded, A is a vertical graph of a function $f : A_{(p,0)} \rightarrow \mathbb{R}$, with f converging to 0 in a \mathcal{C}^2 manner. The end A is converging to the cusp $\mathcal{C} \times \{0\}$ and the curve $\mathbb{T}(y) \cap A = \gamma(y)$ is a topological circle converging to a finite covering of a quotient $c(y)/[\psi]$. The curve $\gamma(y)$ has uniform bounded curvature and its length goes to zero. Thus $\int_{\gamma(y)} k_g ds \rightarrow 0$ as $y \rightarrow \infty$.

In the case of ends of type $(0, q)$ and (p, q) , the ends are horizontal multi-graphs on some $A(0, p)$. Since A converges in a \mathcal{C}^2 manner to $A(p, 0)$, the curves $\gamma(y) = \mathbb{T}(y) \cap A$ converge to a finite covering of a quotient of a vertical geodesic by the translation $T(h)$. This implies that the curvature of $\gamma(y)$ converges uniformly to zero as $y \rightarrow \infty$.

We apply the Gauss-Bonnet formula on an exhaustion of $M \times \mathcal{S}^1$ by a sequence of compact K_n , with boundary of K_n the union of mean curvature one tori $\mathbb{T}_1(n), \dots, \mathbb{T}_k(n)$, in each end $\mathcal{M} \subset M \times \mathcal{S}^1$ and $\gamma_{k,n} = \mathbb{T}_k(n) \cap \Sigma$.

$$\int_{K_n \cap \Sigma} K dA + \int_{\gamma(k,n)} k_g ds = 2\pi\chi(\Sigma).$$

When $n \rightarrow \infty$, the integral of the curvature on $\gamma(k, n)$ tends to zero and we obtain the finite total curvature formula

$$\int_{\Sigma} K dA = 2\pi\chi(\Sigma).$$

9. PROOF OF THE THEOREM IN N

Now we complete the proof of the Theorem 1.1 when the ambient space is N . The idea is the same as in $M \times \mathcal{S}^1$. Let A be an annular end in $\mathcal{M}(-1)$, minimal and properly immersed. By Lemma 4.1 (the same proof) we can suppose $A \subset \cup_{y \geq 1} \mathbb{T}(y)$, ∂A is an immersed closed curve and A is transverse to $\mathbb{T}(1)$ along ∂A . Let E be a connected lift of A to \mathbb{H}^3 , so $\partial E \subset \{(x, 1, t) \in \mathbb{R}^3\}$. Observe that E is a half-plane, not an annulus. Suppose, on the contrary that E is an immersed annulus, so $\partial E \subset \{(x, 1, t) \in \mathbb{R}^3\}$ is compact. Let D be the convex hull of $\{(x, 0, t) \in \mathbb{R}^3; (x, 1, t) \in \partial E\}$ in the $y = 0$ plane. Let L be a line of the plane $Q = \{y = 0\}$, disjoint from D .

Let C be a small circle in Q in the half-space \mathcal{H} of $Q - L$ disjoint from D . C bounds a totally geodesic hyperbolic plane in \mathbb{H}^3 (it is a hemisphere orthogonal to Q along C in our model). For C small, this plane is disjoint from E . Let the circle C grow in \mathcal{H} and converge to L . By the maximum principle, there is no first contact point of the planes bounded by these circles with E (the planes do not touch ∂E). Since the hyperbolic planes bounded by the circles converge to $L \times \mathbb{R}^+$, it follows that E is on one side of $L \times \mathbb{R}^+$. Hence E is contained in the cylinder $\text{Cyl} = \{(x, y, t) \in \mathbb{R}^3; (x, 0, t) \in \partial D, y > 0\}$.

For y large, the diameter of Cyl tends to zero; i.e. the diameter of $\text{Cyl} \cap \{y = \text{const}\}$ tends to zero. So we could touch E by a catenoid at an interior point of E ; a contradiction.

Now we know E is a half-plane. After an isometry of \mathbb{H}^3 , we can assume ∂E is invariant under the parabolic isometry: $(x, y, t) \rightarrow (x + \tau, y, t)$, and $\partial E \subset \{y = 1\}$. so the t coordinate is bounded on ∂E . The same convex hull argument as in the previous annular case, then shows the t coordinate has the same bound on E ; $|t| \leq c$, for some $c > 0$, (one takes L to be a horizontal line in $\{y = 0\}$, above height c , and considers circles C in $\{y = 0\}$ above L . When C converges to L in $\{y = 0\}$, the hyperbolic planes in \mathbb{H}^3 bounded by C , are disjoint from E and converge to $L \times \mathbb{R}^+$). So E is trapped between two horizontal planes $t = \pm c$.

The distance between these horizontal planes tends to zero as $y \rightarrow \infty$. Now we will prove that for y large, the killing field $\frac{\partial}{\partial t}$ is transverse to E . hence a sub-end of E has bounded curvature. This will complete the proof as follows. The sub-end is a vertical graph over the plane $t = 0$, that converges to zero in the C^2 -topology. The graph function is the distance to the plane $t = 0$. Thus the geodesic curvature of the curve in E , given by $\text{Cyl} = E \cap \{y = \text{constant}\}$ is bounded. Also the length of this curve C_y tends to zero in C_y modulo $(x, y, t) \rightarrow (x + \tau, y, t)$. This yields the formula for the finite total curvature of Σ in N : apply Gauss-Bonnet to the compact part of Σ bounded by the curves C_y in the ends and let $y \rightarrow \infty$.

Thus it suffices to prove E is transverse to $\frac{\partial}{\partial t}$ for y large. The proof of this is the same as in section 8, for an end trapped between two horizontal planes. More precisely, for an end E in \mathcal{M} between two horizontal planes that are close, the distance between the planes $|t| = c$ tends to zero as $y \rightarrow \infty$, so one can put a vertical catenoid F_0 , whose boundary circles are of radius one and in the horizontal planes $|t| = d > c$, when the center q of F_0 has $y(q)$ larger than some y_0 .

One chooses ρ, ℓ as in Sections 6 and 8, and using the Drugging lemma, one shows that if E has a vertical tangent plane at p , $y(p)$ large, then one finds $p_1, p_2 \in B_\rho(q) \cap E$, that can not be joined by a path in $E \cap F_0^-$. One defines $\Gamma = \Gamma_+ \cup \Gamma_-$ and the same proof now gives a contradiction.

REFERENCES

- [1] T.H. Colding;W.P. Minicozzi, II *The space of embedded minimal surfaces of fixed genus in a 3-manifold. I. Estimates off the axis for disks.* Ann. of Math. (2) 160 (2004), no. 1, 27-68.
- [2] P. Collin; H. Rosenberg, *Construction of harmonic diffeomorphisms and minimal graphs*, Annals of Mathematics (172) (2010), Issue 3, 1879-1906.
- [3] B. Daniel, *Isometric immersions into $\mathbb{S}^n \times \mathbb{R}$ and $\mathbb{H}^n \times \mathbb{R}$ and applications to minimal surfaces.* Trans. Amer. Math. Soc. 361 (2009), no. 12, 6255-6282.
- [4] R. Gulliver, *Removability of singular points on surfaces of bounded mean curvature.* J. Differential Geometry 11 (1976), no. 3, 345-350.
- [5] L. Hauswirth, *Minimal surfaces of Riemann type in three-dimensional product manifolds.* Pacific J. Math. 224 (2006), no. 1, 91-117.
- [6] D. Hoffman;W.H. Meeks, III, *The strong halfspace theorem for minimal surfaces.* Invent. Math. 101 (1990), no. 2, 373-377.
- [7] R. Sa Earp; E. Toubiana, *Screw motion surfaces in $\mathbb{S}^2 \times \mathbb{R}$ and $\mathbb{H}^2 \times \mathbb{R}$.* Illinois J. Math. 49 (2005), no. 4, 1323-1362.

- [8] L. Mazet, M. Rodriguez and H. Rosenberg, *Periodic constant mean curvature surfaces in $\mathbb{H} \times \mathbb{R}$* , preprint.

P. COLLIN, INSTITUT DE MATHÉMATIQUES DE TOULOUSE, UNIVERSITÉ PAUL SABATIER, 118, ROUTE DE NARBONNE, 31062 TOULOUSE CEDEX ,FRANCE

E-mail address: `collin@math.ups-tlse.fr`

L. HAUSWIRTH, UNIVERSITÉ PARIS-EST, LAMA (UMR 8050), UPEMLV, UPEC, CNRS, F-77454, MARNE-LA-VALLÉE, FRANCE

E-mail address: `hauswirth@univ-mlv.fr`

H. ROSENBERG, INSTITUTO NACIONAL DE MATEMATICA PURA E APLICADA (IMPA) ESTRADA DONA CASTORINA 110, 22460-320, RIO DE JANEIRO-RJ, BRAZIL

E-mail address: `rosen@impa.br`