

Scattering states in Bethe-Salpeter equation

V.A. Karmanov*

*Lebedev Physical Institute,
Leninsky prospect 53, 119991 Moscow, Russia
E-mail: karmanov@sci.lebedev.ru*

J. Carbonell

*Institut de Physique Nucléaire,
Université Paris-Sud, IN2P3-CNRS, 91406 Orsay Cedex, France
E-mail: carbonell@ipno.in2p3.fr*

The off-mass shell scattering amplitude, satisfying the Bethe-Salpeter equation for spinless particles in Minkowski space with the ladder kernel, is computed for the first time.

*XXI International Baldin Seminar on High Energy Physics Problems
September 10-15, 2012
JINR, Dubna, Russia*

*Speaker.

1. Introduction

The inhomogeneous Bethe-Salpeter (BS) equation in Minkowski space [1] provides a covariant four-dimensional description of two-body scattering states. In the case of scalar particles it has the form:

$$F(p, p_s; P) = K(p, p_s; P) - i \int \frac{d^4 p'}{(2\pi)^4} \frac{K(p, p'; P) F(p', p_s; P)}{\left[\left(\frac{1}{2}P + p' \right)^2 - m^2 + i\epsilon \right] \left[\left(\frac{1}{2}P - p' \right)^2 - m^2 + i\epsilon \right]} \quad (1.1)$$

The kernel K for the one-boson exchange model is given by:

$$K(p, p'; P) = - \frac{g^2}{(p - p')^2 - \mu^2 + i\epsilon} \quad (1.2)$$

We introduce the coupling constant α related to g by:

$$g^2 = 16\pi m^2 \alpha$$

and use the partial wave decomposition according to [2]:

$$F(\theta) = 16\pi \sum_{l=0}^{\infty} (2l+1) F_l P_l(\cos \theta)$$

In the center of mass frame, $\vec{P} = 0$, $P_0 = \sqrt{s} = 2\varepsilon_{p_s} = 2\sqrt{m^2 + p_s^2}$ and for a given incident momentum p_s , the partial wave off-mass shell amplitude F_l depends on two scalar variables p_0 and $|\vec{p}|$. It will be hereafter denoted by $F_l(p_0, p; p_s)$ setting $p = |\vec{p}|$, $p_s = |\vec{p}_s|$. We consider for simplicity the S-wave equation which reads:

$$F_0(p_0, p; p_s) = K_0(p_0, p; p_s) - \frac{4i}{\pi^2} \int_0^\infty p'^2 dp' \int_{-\infty}^\infty dp'_0 \quad (1.3)$$

$$\times \frac{K_0(p_0, p; p'_0, p') F_0(p'_0, p'; p_s)}{\left(p'^2_0 + 2p'_0 \varepsilon_{p_s} + p_s^2 - p'^2 + i\epsilon \right) \left(p'^2_0 - 2p_0 \varepsilon_{p_s} + p_s^2 - p'^2 + i\epsilon \right)}$$

with

$$K_0(p_0, p; p'_0, p') = - \frac{1}{32\pi} \int_{-1}^1 dz \frac{g^2}{(p_0 - p'_0)^2 - (p^2 - 2pp'z + p'^2) - \mu^2 + i\epsilon}$$

$$= - \frac{\alpha m^2}{4pp'} \log \frac{|\eta + 1|}{|\eta - 1|} + \frac{i\alpha\pi m^2}{4pp'} U(\eta), \quad (1.4)$$

$$U(\eta) = \begin{cases} 1, & \text{if } |\eta| \leq 1 \\ 0, & \text{if } |\eta| > 1 \end{cases}$$

and

$$\eta = \frac{(p_0 - p'_0)^2 - p^2 - p'^2 - \mu^2}{2pp'}$$

The on-shell amplitude $F_l^{on} = F_l(p_0 = 0, p = p_s; p_s)$ determines the phase shift according to:

$$\delta_l = \frac{1}{2i} \log \left(1 + \frac{2ip_s}{\varepsilon_{p_s}} F_l^{on} \right) \quad (1.5)$$

The knowledge of this function in the entire domain of its arguments – i.e. the off-shell amplitude – is mandatory for some interesting physical applications, like for instance computing the transition e.m. form factor $\gamma^* d \rightarrow np$ or solving the BS-Faddeev equations. As far as we aware, this quantity has not been obtained until now.

The numerical solution of the BS equation in Minkowski space is complicated by the existence of singularities in the amplitude as well as in the integrand of (1.1). These singularities are integrable in the mathematical sense, due to $i\varepsilon$ in the denominators of propagators, but their integration is a quite delicate task and requires the use of appropriate analytical as well as numerical methods.

To avoid these singularities, the BS equation was first solved in Euclidean space. These solutions provided on-shell quantities like binding energies and phase shifts [3]. However we have shown [4] that the Euclidean BS amplitude cannot be used to calculate electromagnetic form factors, since the corresponding integral does not allow the Wick rotation. One therefore needs the BS amplitude in Minkowski space.

This amplitude has been computed for a separable kernel (see [5] and references therein). For a kernel given by field theory rules – ladder and cross ladder – the Minkowski BS amplitude was first obtained in our preceding works [6, 7] in the bound state problem. To this aim, we developed an original method based on the Nakanishi integral representation of the amplitude. A similar method for the scattering states has been proposed in [8] although the numerical solutions are not yet available.

We present in this paper some details of a new method [9] providing a direct solution of the original BS equation. It is based on a careful treatment of the singularities and allows to compute the corresponding off-shell scattering amplitude in Minkowski space. We will give the low energy parameters in the case of spinless particles and ladder kernel.

2. Method

There are four sources of singularities in the r.h.-side of the BS equation (1.1) which are detailed below.

(i) The constituent propagators in (1.3) vs. p'_0 have two poles, each of them is represented as:

$$\frac{1}{p'_0 - a - i\varepsilon} = PV \frac{1}{p'_0 - a} + i\pi\delta(p'_0 - a)$$

where PV means the principal value. In the product of four pole terms, the only non vanishing contributions come from the product of four PV 's without delta-functions, from the terms with three PV 's and one delta-function and from the term with two PV 's and two delta's. After partial wave decomposition the 4D integral BS equation (1.1) is reduced to a 2D one, eq. (1.3). Integrating in (1.3) over p'_0 , we obtain in addition to the 2D part, a 1D integral over p' and a non integrated term. The singularities due to the PV 's are eliminated by subtractions according to the identity:

$$PV \int_0^\infty \frac{f(p'_0) dp'_0}{p_0'^2 - a^2} = \int_0^\infty \left(\frac{f(p'_0)}{p_0'^2 - a^2} - \frac{f(a)}{p_0'^2 - a^2} \right) dp'_0$$

The integrand in r.h.-side is not singular.

(ii) The propagator of the exchanged particle has the pole singularities which, after partial wave decomposition, turn into logarithmic ones, eq. (1.4). Their positions are found analytically and the numerical integration over p'_0 variable is split into intervals between two consecutive singularities, namely:

$$\int_0^\infty [\dots] dp'_0 = \int_0^{sing_1} [\dots] dp'_0 + \int_{sing_1}^{sing_2} [\dots] dp'_0 + \dots$$

Each of these integrals is made regular with an appropriate change of variable. We proceed in a similar way for the p' integration.

(iii) The inhomogeneous (Born) term is given by the ladder kernel and is also singular in both variables. The positions of these singularities are analytically known.

(iv) The amplitude F_0 itself has many singularities, among which the strongest ones are resulted from the Born term $K_0(p_0, p; p_s)$. This makes difficult its representation on a basis of regular functions as well as its numerical integration. To circumvent this difficulties we made the replacement $F_0(p_0, p; p_s) = K_0(p_0, p; p_s)f_0(p_0, p; p_s)$, where f_0 is a smooth function. After that, the singularities of the inhomogeneous term are canceled. We obtain in this way a non-singular equation for f_0 which we solve by standard methods. Then we restore the BS off-mass shell amplitude F_0 in Minkowski space.

3. Numerical results

We first applied this method to solve the bound state problem by dropping the inhomogeneous term in (1.1). The binding energies coincide, within four-digit accuracy, with the ones calculated in our previous work [6] and with the Euclidean space results.

Solving eq. (1.3), the S-wave off-shell scattering amplitude F_0 is calculated and the phase shifts are extracted by means of eq. (1.5). Above the first inelastic threshold, $p_s^*(\mu) = \sqrt{m\mu + \mu^2/4}$, this phase shifts have an imaginary part, which is also found. By performing a Wick rotation in (1.3) and taking into account the contributions of singularities – which, in contrast to the bound state case, are crossed by the rotation contour – we derived an Euclidean space equation similar to one obtained in [3]. The phase shifts found by these two methods – i.e., solving eq. (1.3) and the Euclidean space equation – coincide with each other within 3-4 digits. Furthermore, the imaginary part of the phase shifts vanishes with high accuracy below threshold. The unitarity condition is not automatically fulfilled in our approach, but appears as a consequence of handling the correct solution. It thus provides a stringent test of the numerical method. Our results reproduce the phase shifts given in [3] within the accuracy allowed by extracting numerical values from published figures.

Figure 1 (left panel) shows the phase shifts calculated via BS equation (solid curve) and via the Schrödinger one with the Yukawa potential (dashed curve) for the constituent mass $m = 1$, exchange mass $\mu = 0.5$ and coupling constant $\alpha = 0.5$. Right panel shows the same results for $\alpha = 1.2$. For this value of α , there exists a bound state. Therefore, according to the Levinson theorem, the phase shift starts at 180 degrees. One can see that the difference between relativistic and non-relativistic results is considerably large, specially for small incident momentum. This difference increases with α .

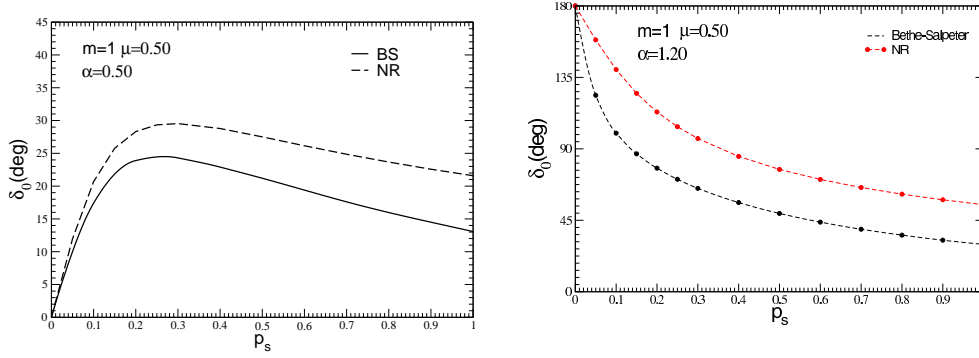


Figure 1: Left panel: phase shift calculated via BS equation (solid curve) compared to non-relativistic results (dashed curve) for $\mu = 0.5$ and $\alpha = 0.5$. Right panel: the same as for the left panel but for $\alpha = 1.2$

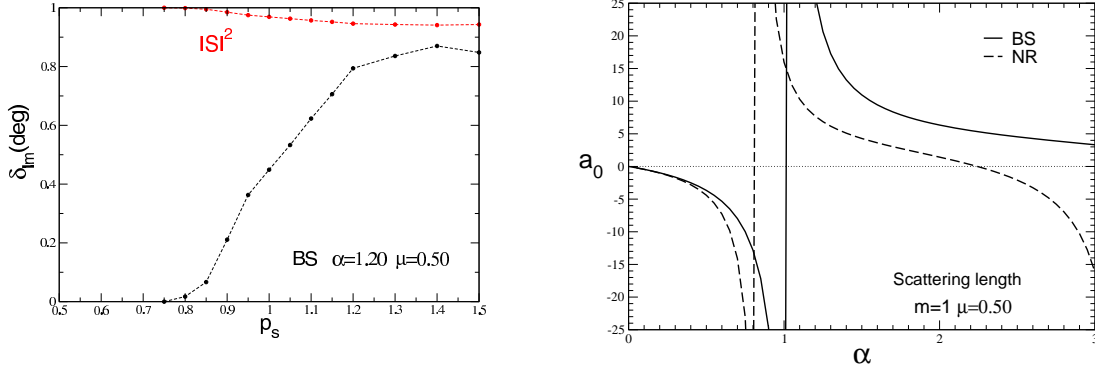


Figure 2: Left panel: imaginary part of the phase shift (solid) and squared modulus of the S-matrix (dashed). Right panel: scattering length a_0 vs. α for $\mu = 0.5$ calculated via BS (solid) and Schrödinger equations (dashed).

Fig. 2 (left panel) shows the imaginary part of the phase shift (for $\alpha = 1.2$) which automatically appears when the incident momentum exceeds the threshold value for creation of the exchange meson. For $m = 1$, $\mu = 0.5$ this value $p^{thresh} = 0.75$. Simultaneously, the modulus of two-body S-matrix differs from 1. For $p_s = 1.118$ the second threshold, for creation of two mesons, is open. It also contributes in this curve.

Fig. 2 (right panel) shows the scattering length a_0 as a function of the coupling constant α obtained with BS and non-relativistic Schrödinger equations. In the vicinity of $\alpha \approx 0.8$ (for Schrödinger) and $\alpha \approx 1$ (for BS) the coupling constant crosses the critical value corresponding to the appearance of a bound state. At this point the scattering length becomes infinite and then changes the sign.

We have displayed in Fig. 3 the real (left panel) and imaginary (right panel) parts of the off-shell scattering amplitude $F_0(p_0, p; p_s)$ vs. p_0 and p calculated for $p_s = \mu = 0.5$. Its real part shows a non trivial structure with a ridge and a gap resulting from the singularities of the inhomogeneous term. Its on-shell value $F_0^{on} = F_0(p_0 = 0, p = p_s; p_s)$, determining the phase shift calculated pre-

viously, corresponds to a single point $p_0 = 0, p = p_s$ on these surfaces. Our calculation, shown in Fig. 3, provides the full amplitude $F_0(p_0, p; p_s)$ in a two-dimensional domain. It cannot be found from the Euclidean equation. Computing this quantity is the main result of this work.

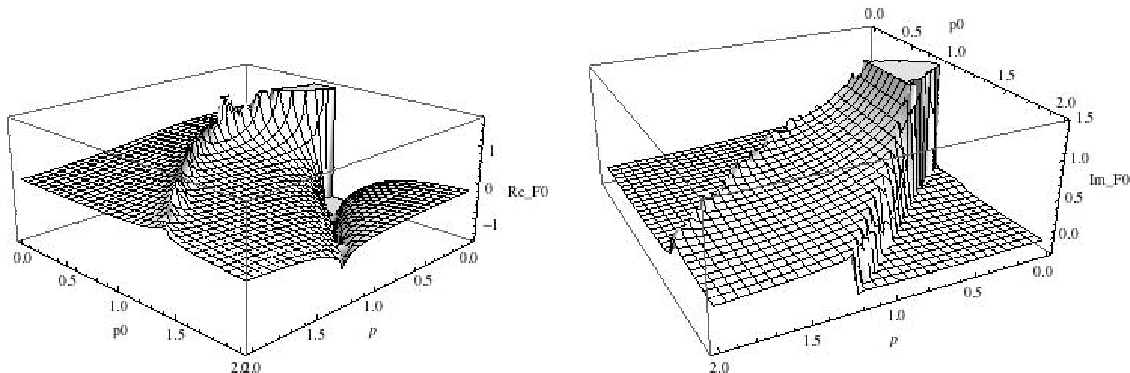


Figure 3: Real (left) and imaginary (right) parts of the off-shell amplitude $F(p_0, p; p_s)$ for $p_s = 0.5, \mu = 0.5$.

4. Conclusion

We solved the BS equation for the scattering states in Minkowski space for the ladder kernel. The off-mass-shell amplitude is found for the first time. Coming on mass shell, we obtain the phase shifts which coincide with ones calculated by other methods. They considerably differ, even at low energy, from the non-relativistic phase shifts calculated by the Schrödinger equation. Above the meson creation threshold the inelasticity appears which is also calculated. The off-mass-shell amplitude can be used to calculate the transition form factor and as an input in the three-body BS-Faddeev equations.

References

- [1] E.E. Salpeter, H. Bethe, *A Relativistic equation for bound state problems*, *Phys. Rev.* **84** (1951) 1232.
- [2] C. Itzykson and J.-B. Zuber, *Quantum field theory*, McGraw Hill, 1980; Dover 2006.
- [3] M.J. Levine, J. Wright, J.A. Tjon, *Solution of the Bethe-Salpeter Equation in the Inelastic Region*, *Phys. Rev.* **154** (1967) 1433.
- [4] J. Carbonell, V.A. Karmanov, *Solutions of the Bethe-Salpeter equation in Minkowski space and applications to electromagnetic form factors*, *Few-Body Syst.* **49** (2011) 205 [arXiv:1012.0246].
- [5] S.S. Bondarenko, V.V. Burov, E.P. Rogochaya, *Covariant relativistic separable kernel approach for electrodisintegration of the deuteron at high momentum transfer*, *Few-Body Syst.* **49** (2011) 121 [arXiv:1008.0107].
- [6] V.A. Karmanov, J. Carbonell, *Solving Bethe-Salpeter equation in Minkowski space*, *Eur. Phys. J. A* **27** (2006) 1 [hep-th/0505261].
- [7] J. Carbonell, V.A. Karmanov, *Cross-ladder effects in Bethe-Salpeter and Light-Front equations*, *Eur. Phys. J. A* **27** (2006) 11 [hep-th/0505262].

- [8] T. Frederico, G. Salmè, M. Viviani, *Two-body scattering states in Minkowski space and the Nakanishi integral representation onto the null plane*, *Phys. Rev.* **D 85** (2012) 036009 [[arXiv:1112.5568](#)].
- [9] V. A. Karmanov, J. Carbonell, *Solving Bethe-Salpeter equation for scattering states*, *Presented at the 20th Int. Conf. on Few-Body Problems in Physics, 20 - 25 August, 2012, Fukuoka, Japan; Submitted in Few-Body Syst.*, (2012) [[arXiv:1210.0925](#)].