

Epistemic view of quantum states and communication complexity of quantum channels

Alberto Montina

Perimeter Institute for Theoretical Physics, 31 Caroline Street North, Waterloo, Ontario N2L 2Y5, Canada

(Dated: October 16, 2018)

The communication complexity of a quantum channel is the minimal amount of classical communication required for classically simulating a process of state preparation, transmission through the channel and subsequent measurement. It establishes a limit on the power of quantum communication in terms of classical resources. We show that classical simulations employing a finite amount of communication can be derived from a special class of hidden variable theories where quantum states represent statistical knowledge about the classical state and not an element of reality. This special class has attracted strong interest very recently. The communication cost of each derived simulation is given by the mutual information between the quantum state and the classical state of the parent hidden variable theory. Finally, we find that the communication complexity for single qubits is smaller than 1.28 bits. The previous known upper bound was 1.85 bits.

Introduction.— As quantum systems can be simulated through classical resources, quantum theory is not intrinsically irreducible to an *ontological theory* picturing some well-defined and sharp reality through a classical language. The simplest way to realize this reduction is to interpret the quantum state as something real, such as a classical field. The definiteness of macroscopic reality would be guaranteed, for example, by some collapse mechanism, in the spirit of collapse theories, or by some auxiliary hidden variables, like in pilot wave theories. However, since the full information on the quantum state cannot be recovered by measurements on single systems, a more subtle classical theory would encode this information in the statistical behaviour of the classical state (hereafter called *ontic state*). Like a probability distribution, the quantum state would be asymptotically recovered from the ontic states of many identically prepared systems and would represent only statistical knowledge about the actual state of single systems. These hypothetical theories are called ψ -epistemic. Conversely, theories where the quantum state information is contained in the ontic state of each realization are called ψ -ontic. The question whether the statistical encoding is actually possible has attracted growing interest in the recent years [1–14]. Indeed, the statistical role of the quantum state makes ψ -epistemic theories potentially less exposed to the principle of Occam’s razor than ψ -ontic theories. They could even be supported by the law of parsimony, as suggested in Ref. [2] and, more recently, in Refs. [7, 9].

In this paper, we will show that ψ -epistemic theories have a pivotal role also in quantum communication and can determine an upper bound for the communication complexity of a quantum channel. Roughly speaking, we define the *communication complexity*, C_{min} , of a quantum channel as the minimal amount of one-way classical communication required for simulating the channel through a classical protocol. The definition will be made more precise later. This quantity is important since it establishes a limit on the communication saving provided by quantum channels over classical channels in a distributed

computing scenario. Indeed, it is known that, for some problems of distributed computing, quantum channels can provide huge communication saving over classical channels [15]. However, a quantum channel cannot replace an amount of classical communication greater than the communication complexity of that channel. Thus, this latter quantity gives an upper bound for the power of a quantum channel in terms of classical bits. At the present, it is not known if C_{min} is finite, apart from the case of single qubits [16, 17]. In Ref. [16], it was shown that 2.19 bits on average are sufficient for simulating the communication of a qubit. Toner and Bacon eventually improved this result by reporting a protocol requiring exactly 2 bits of communication for each realization [17]. In the case of many simulations performed in parallel, the Toner-Bacon model gives an amortized communication cost equal to about 1.85 bits.

A classical protocol that simulates quantum communication through a finite amount of classical communication (hereafter, more concisely, *finite communication protocol* or *FC protocol*) is clearly a kind of ψ -epistemic theory, since it is not possible to encode the full information on the quantum state in a finite number of classical bits. We will show that also the opposite is somehow true. More precisely, FC protocols can be derived from ψ -epistemic theories, provided that the mutual information, I_m , between the quantum state and the ontic state is finite. The communication cost, \mathcal{C} , is essentially given by I_m , that is, $\mathcal{C} \simeq I_m$. In the case of many simulations performed in parallel, the amortized asymptotic communication cost, say \mathcal{C}^{par} , turns out to be exactly equal to I_m . As just FC protocols are known only for single qubits, at the present ψ -epistemic models with finite I_m are known only for single qubits. One model was provided by Kochen and Specker in 1969 [18]. Using our result, we will show that the Kochen-Specker model implies that there is a FC protocol with $\mathcal{C}^{par} = 2 - (2 \log_e 2)^{-1} \simeq 1.28$ bits. This value lowers previously known upper bounds for the communication complexity of single qubits. It is quite surprising that this improved upper bound is deriv-

able from a foundational result published about forty years ago and that this derivation went unnoticed for a long time. A protocol for simulating communication of single qubits by using exactly 2 bits for each shot was derived from the Kochen-Specker model very recently [20]. Our main purpose is to show that there is a relationship between ψ -epistemic theories with finite I_m and FC protocols.

The paper is organized as follows. After introducing the framework of an ontological theory, we define the communication complexity \mathcal{C}_{min} of quantum channels and its generalized version, \mathcal{C}_{min}^{par} , for simulations performed in parallel. Then, we present the main result concerning the relation between ψ -epistemic theories and FC protocols. As an illustration of this result, we derive the inequality $\mathcal{C}_{min}^{par} \leq 1.28$ bits for single qubits from the Kochen-Specker model. Finally, the conclusions and perspectives are drawn.

Ontological theories.— Let us introduce the general framework of an ontological theory describing the preparation and the subsequent measurement of a quantum system. In the ontological theory, a system is described by a set of variables, which we denote by x . The value of x represents the ontic state of the system. When the system is prepared in some quantum state $|\psi\rangle$, the ontic state x is set according to a probability distribution $\rho(x|\psi)$ that depends on $|\psi\rangle$. Thus, there is a mapping

$$|\psi\rangle \rightarrow \rho(x|\psi) \quad (1)$$

that associates each quantum state with a probability distribution on the ontological space. A general measurement is described by a positive-operator valued measure (POVM), which is defined by a set of positive semidefinite operators, $\{\hat{E}_1, \hat{E}_2, \dots\} \equiv \mathcal{M}$. Each operator \hat{E}_i labels an event of the measurement \mathcal{M} . In the framework of an ontological theory, the probability of \hat{E}_i is conditioned by the ontic state x . Thus, each measurement \mathcal{M} is associated with a probability distribution $P(\hat{E}_i|x, \mathcal{M})$,

$$\mathcal{M} \rightarrow P(\hat{E}_i|x, \mathcal{M}). \quad (2)$$

Finally, the ontological theory is equivalent to quantum theory if the probability of having \hat{E}_i given the preparation $|\psi\rangle$ is equal to the quantum probability, that is,

$$\int dx P(\hat{E}_i|x, \mathcal{M}) \rho(x|\psi) = \langle \psi | \hat{E}_i | \psi \rangle. \quad (3)$$

In a ψ -ontic theory, the ontic state x always contains the full information about the quantum state, that is, if $|\psi_1\rangle \neq |\psi_2\rangle$, then the distributions $\rho(x|\psi_1)$ and $\rho(x|\psi_2)$ are not overlapping. Conversely, in a ψ -epistemic theory, the ontic state does not contain this information, which is instead encoded only in the statistical behaviour of x , that is, in the distribution $\rho(x|\psi)$. In the class of ψ -epistemic theories, there is a subclass that is particularly relevant for the present discussion. In this subclass,

the mean entropy of the probability distribution $\rho(x|\psi)$ is finite, as well as the entropy of the maximally mixed distribution $\int d\psi \rho(x|\psi) \rho(\psi) \equiv \rho(x)$, where $\rho(\psi)$ is a uniform distribution over the Hilbert space. In other words, the support of $\rho(x|\psi)$ and $\rho(x)$ have finite nonzero measure. We call the theories in this subclass *completely ψ -epistemic theories*. The Kochen-Specker model [18] is an example of completely ψ -epistemic theory.

Classical simulation of quantum channels.— A quantum channel is a physical device, such as a wire, carrying information from a sender to a receiver. Mathematically, it corresponds to a map from a density operator to another density operator. This map is completely positive and trace preserving. Clearly, it is not possible to replace a quantum channel with a classical channel, unless entangled systems are shared between the sender and the receiver, like in quantum teleportation. Thus, a classical simulation of a quantum channel simulates more properly a process where a party, say Alice, prepares the input of a quantum channel in a quantum state $|\psi\rangle$ and another party, say Bob, performs a subsequent measurement \mathcal{M} on the quantum channel output. In this process, the quantum state corresponds operationally to a procedure described in classical terms. In other words, Alice has a classical description of the quantum state $|\psi\rangle$. Without loss of generality, we assume that the quantum channel is a noiseless identity map, since any noise and transformation can be transferred to the measurement stage by changing the set of allowed measurements.

A classical simulation of a quantum channel is as follows. Alice has a classical description of the quantum state $|\psi\rangle$ and she generates a variable k with a probability $\rho(k|\chi, \psi)$ depending on the quantum state and a possible random variable, χ , shared with Bob. The variable χ is generated according to the probability distribution $\rho_s(\chi)$. Alice communicates the value of k to Bob. Finally, Bob generates an outcome \hat{E}_i with a probability $P(\hat{E}_i|k, \chi, \mathcal{M})$. The protocol simulates exactly the quantum channel if the probability of \hat{E}_i given $|\psi\rangle$ is equal to the quantum probability, that is, if

$$\sum_k \int d\chi P(\hat{E}_i|k, \chi, \mathcal{M}) \rho(k|\chi, \psi) \rho_s(\chi) = \langle \psi | \hat{E}_i | \psi \rangle. \quad (4)$$

The communication cost \mathcal{C} of a classical simulation can be defined in different ways. Here, we define \mathcal{C} as the Shannon entropy of the distribution $\rho(k|\chi) \equiv \int d\psi \rho(k|\chi, \psi) \rho(\psi)$ averaged over χ ,

$$\mathcal{C} \equiv - \int dk \int d\chi \rho(k|\chi) \rho_s(\chi) \log_2 \rho(k|\chi). \quad (5)$$

This definition makes sense if a probability distribution $\rho(\psi)$ of the quantum state $|\psi\rangle$ is given. A natural choice is to take $\rho(\psi)$ uniformly distributed. If N simulations are performed in parallel, it is possible to envisage a larger set of communication protocols, where the proba-

bility of generating k can depend on the full set of quantum states, say $|\psi_{i=1,2,\dots,N}\rangle$, prepared in each single simulation. In other words, the distribution $\rho(k|\chi, \psi)$ becomes $\rho(k|\chi, \psi_1, \psi_2, \dots, \psi_N)$. The asymptotic amortized communication cost, \mathcal{C}^{par} , is the cost of the parallelized simulation divided by N in the limit of large N . We define the *communication complexity* \mathcal{C}_{min} of a quantum channel as the minimal amount of classical communication required by an exact classical one-shot simulation of the quantum channel. Its asymptotic version for simulations performed in parallel, say \mathcal{C}_{min}^{par} , has an obvious similar definition.

A classical protocol for simulating a quantum channel is essentially an ontological theory, where the communicated index k and the shared variable χ play the role of the classical variable x . If the communication cost \mathcal{C} of the classical protocol is finite, then the protocol corresponds to a completely ψ -epistemic theory. In the following we will show that also the opposite is true in some sense.

Communication cost from mutual information.— FC protocols can be derived from completely ψ -epistemic theories. To prove this, we use a result reported in Ref. [22] and its one-shot version [21]. Given two stochastic variables, say x_1 and x_2 , with probability distribution $\rho(x_1, x_2)$, their mutual information,

$$I_m = \sum_{x_1, x_2} \rho(x_1, x_2) \log_2 \frac{\rho(x_1, x_2)}{\rho(x_1)\rho(x_2)},$$

is the information that the two variables share. This interpretation of mutual information suggests the following question. Suppose that the variable x_1 is generated by Alice with marginal distribution $\rho(x_1)$. She sends Bob some amount of information, say \mathcal{C} , about x_1 . Bob is required to set x_2 according to the joint distribution $\rho(x_1, x_2)$. What is the minimal value of \mathcal{C} required for achieving this goal? We expect that this value is given by the mutual information I_m . Indeed, Winter proved in Ref. [22], that the amortized communication cost, in the asymptotic limit of many simulations performed in parallel, is actually the mutual information, that is,

$$\mathcal{C}^{par} = I_m. \quad (6)$$

In general, the simulation protocol requires that Alice and Bob share some random variable χ , which is uncorrelated with x_1 . A one-shot version of this result was recently reported in Ref. [21]. For independently simulated realizations, we have that

$$I_m \leq \mathcal{C} \leq I_m + 2 \log_2(I_m + 1) + 2 \log_2 e. \quad (7)$$

Thus, the communication cost is the mutual information plus a possible small additional cost that does not grow more than the logarithm of $I_m + 1$.

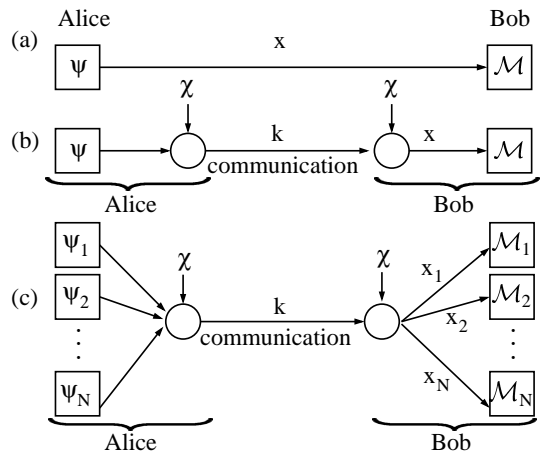


FIG. 1: (a) Schematic representation of an ontological model. (b) The communication cost of the model in (a) is reduced by demanding that Bob generates x . (c) Multiple simulations performed in parallel.

These results have an immediate application to the problem of deriving FC protocols from ψ -epistemic theories. An ontological theory is essentially a classical protocol for simulating quantum channels, where the ontic state x is the communicated classical variable, as schematically illustrated in Fig. 1. However, the communication cost can be, in general, infinite. A strategy for making the communication of a ψ -epistemic theory finite and as small as possible is as follows. Instead of communicating directly x , Alice can communicate an amount of information, encoded in an index k , that allows Bob to generate x according to the probability distribution $\rho(x|\psi)$ (Fig. 1b). By Eq. (7), the minimal amount of required communication is essentially equal to the mutual information between the quantum state $|\psi\rangle$ and the ontic state x ,

$$\mathcal{C} \sim \int d\psi \int dx \rho(x, \psi) \log_2 \frac{\rho(x, \psi)}{\rho(x)\rho(\psi)} \equiv I(X : \Psi). \quad (8)$$

If many simulations are performed in parallel (Fig. 1c), Winter's result implies that there is a classical simulation such that the amortized asymptotic communication cost is strictly equal to the mutual information,

$$\mathcal{C}^{par} = I(X : \Psi). \quad (9)$$

It is clear that $I(X : \Psi)$ is infinite in ψ -ontic theories, since the ontic state shares with $|\psi\rangle$ the full infinite information contained in the quantum state. Conversely, completely ψ -epistemic theories have $I(X : \Psi)$ finite.

Application.— To illustrate the power of the above procedure, we derive an upper bound for \mathcal{C}_{min}^{par} from the Kochen-Specker model by using Eq. (9). The Kochen-Specker model is an ontological model working for single qubits. The ontic state is given by a unit three-dimensional vector, \vec{x} . Let us represent a pure quantum

state through the unit Bloch vector, \vec{v} . Given the quantum state \vec{v} , the probability distribution of \vec{x} is

$$\rho(\vec{x}|\vec{v}) = \pi^{-1} \vec{v} \cdot \vec{x} \theta(\vec{v} \cdot \vec{x}), \quad (10)$$

where θ is the Heaviside step function. Taking a uniform distribution for \vec{v} ,

$$\rho(\vec{v}) = (4\pi)^{-1}, \quad (11)$$

the mutual information I_m between \vec{x} and \vec{v} is

$$I_m = 2 - (2 \log_e 2)^{-1} \simeq 1.28 \text{ bits.} \quad (12)$$

This implies that

$$C_{min}^{par} \leq 1.28 \text{ bits.} \quad (13)$$

To the best of our knowledge, this upper bound improves previously known results. The amortized asymptotic cost of the model in Ref. [16] is about 2.19 bits, whereas the model of Ref. [17] requires about 1.85 bits of communication.

The Kochen-Specker model works only for single qubits. Very recently, a ψ -epistemic model for higher dimensional systems was introduced in Ref. [11]. Unfortunately, in this model, there is a finite probability that the ontic state contains the full information about the quantum state, this makes $I(X : \Psi)$ infinite. Thus, the model is not completely ψ -epistemic and its associated communication cost is infinite.

Conclusion.— In this paper, we have shown that there is relationship between ψ -epistemic theories and classical protocols that simulate quantum channels through a finite amount \mathcal{C} of communication (FC protocols). Indeed, FC protocols are particular kinds of ψ -epistemic theories. We have shown that also the opposite is somehow true. More precisely, given a completely ψ -epistemic model, we have described a procedure for turning the model into a FC protocol with \mathcal{C} essentially equal to the mutual information between the quantum state and the ontic state. If many simulations are performed in parallel, then there is a procedure for turning the ψ -epistemic model into a global simulation of all the quantum channels with amortized asymptotic cost C^{par} exactly equal to the mutual information. Using this result, we have shown that the Kochen-Specker model can be turned into a classical protocol of communication with $C^{par} \simeq 1.28$ bits.

The main motivation of this paper is to show that ψ -epistemic theories, which are attracting increasing interest in quantum foundation, have a relevant role also in quantum communication. The acknowledgement of this relationship can provide a useful cross-fertilization between two related fields. Indeed, some recent general results about ψ -epistemic theories have a direct consequence in quantum communication. For example, the

result in Ref. [4] implies that the number of continuous shared variables in a FC protocol cannot be smaller than $2N_h - 2$, N_h being the Hilbert space dimension, provided that the shared noise and the communicated variable satisfy a suitable transformation rule. Also the recent result reported in Ref. [10] has a consequence in quantum communication. Furthermore, the procedure of reducing ψ -epistemic theories to FC protocols can make easier to find FC protocols, as the class of completely ψ -epistemic theories is larger than the class of FC protocols. Indeed, in a subsequent work, we will use the procedure discussed here for proving that the communication cost of classically simulating the communication of n qubits is independent of n , provided that a bounded error is allowed and only rank-1 projective measurements are performed [23].

Acknowledgements. The Author acknowledges useful discussions with Jonathan Barrett and Iman Marvian. Research at Perimeter Institute for Theoretical Physics is supported in part by the Government of Canada through NSERC and by the Province of Ontario through MRI.

-
- [1] L. Hardy, Stud. Hist. Phil. Sci. B **35**, 267 (2004).
 - [2] A. Montina, Phys. Rev. Lett. **97**, 180401 (2006).
 - [3] R. W. Spekkens, Phys. Rev. A **75**, 032110 (2007).
 - [4] A. Montina, Phys. Rev. A **77**, 022104 (2008);
 - [5] N. Harrigan, R. W. Spekkens, Found. Phys. **40**, 125 (2010).
 - [6] A. Montina, Phys. Rev. A **83**, 032107 (2011).
 - [7] A. Montina, Phys. Lett. A **375**, 1385 (2011)
 - [8] S. D. Bartlett, T. Rudolph, R. W. Spekkens, arXiv:1111.5057.
 - [9] A. Montina, Phys. Rev. Lett. **108**, 160501 (2012).
 - [10] M. F. Pusey, J. Barrett, T. Rudolph, Nature Physics, **8**, 476 (2012).
 - [11] P. G. Lewis, D. Jennings, J. Barrett, T. Rudolph, arXiv:1201.6554.
 - [12] R. Colbeck, R. Renner, Phys. Rev. Lett. **108**, 150402 (2012).
 - [13] M. Schlosshauer, A. Fine, arXiv:1203.4779.
 - [14] L. Hardy, arXiv:1205.1439.
 - [15] H. Buhrman, R. Cleve, S. Massar, and R. de Wolf, Rev. Mod. Phys. **82**, 665 (2010).
 - [16] N. J. Cerf, N. Gisin, and S. Massar, Phys. Rev. Lett. **84**, 2521 (2000).
 - [17] B. F. Toner, D. Bacon, Phys. Rev. Lett. **91**, 187904 (2003).
 - [18] S. Kochen and E. Specker, J. Math. Mech. **17**, 59 (1967).
 - [19] A. Montina, Phys. Rev. A **84**, 060303(R) (2011).
 - [20] A. Montina, Phys. Rev. A **84**, 042307 (2011).
 - [21] P. Harsha, R. Jain, D. McAllester, J. Radhakrishnan, IEEE Trans. Inf. Theory **56**, 438 (2010).
 - [22] A. Winter, arXiv:quant-ph/0208131.
 - [23] A. Montina, to be published.