

Cluster Monte Carlo Study of Magnetic Dipoles

Seung Ki Baek*

*Integrated Science Laboratory, Department of Physics,
Umeå University, 901 87 Umeå, Sweden*

(Received 10 May 2011)

Abstract

We implement a cluster-update Monte Carlo algorithm to simulate magnetic dipoles of the XY-spin type confined in a two-dimensional plane. The long-range character and anisotropy in the dipole interaction are handled by using the Luijten-Blöte algorithm and the Dotsenko-Selke-Talapov algorithm, respectively. We have checked the performance of this cluster-update algorithm in comparison to the Metropolis algorithm and found that it equilibrated the system faster in terms of the number of flipped spins, although the overall computational complexity of the problem remained the same.

PACS numbers: 75.70.Ak,75.40.Mg,05.10.Ln

Keywords: Magnetic dipole, Long-range Monte Carlo, Cluster update algorithm

arXiv:1109.6224v1 [cond-mat.stat-mech] 28 Sep 2011

*Electronic address: garuda@tp.umu.se; Fax: +46-70-786-6797

I. INTRODUCTION

Magnetism has been one of the most important subjects in physics, and many of technological applications are based upon ordered behaviors of magnetic materials. This leads us to both a theoretical and practical question about how to understand collective behaviors observed in magnetic systems. A particularly interesting case to us is rare-earth compounds in which magnetic spins at low temperatures can be basically regarded as two-dimensional (2D) [1] and the exchange interaction is relatively weak [2] because one can easily make use of theoretical frameworks developed to study such continuous spin models in statistical physics. Let us consider a square lattice of XY -like spins governed by the dipole interaction. If the linear size of the lattice is L , the total number of spins will be $N = L^2$, and the corresponding Hamiltonian is given as follows:

$$H = J \sum_{i \neq j}^N [(\mathbf{s}_i \cdot \mathbf{s}_j) r_{ij}^2 - 3(\mathbf{s}_i \cdot \mathbf{r}_{ij})(\mathbf{s}_j \cdot \mathbf{r}_{ij})] / r_{ij}^5, \quad (1)$$

where $J(> 0)$ represents interaction strength and the summation runs over every distinct spin pair of \mathbf{s}_i and \mathbf{s}_j at \mathbf{r}_i and \mathbf{r}_j , respectively. The distance between this spin pair is denoted as $r_{ij} = |\mathbf{r}_i - \mathbf{r}_j|$. Since the periodic boundary condition is employed to reduce unwanted boundary effects, the relative displacement \mathbf{r}_{ij} between \mathbf{r}_i and \mathbf{r}_j is chosen as the one with minimal length among every possible pair of their periodic images. In case that more than one periodic image of a spin has the same minimal length from another spin, ambiguity can enter in defining the interaction within this pair due to the anisotropy manifested in the second term of Eq. (1). To be simple, we neglect the interaction in such a case, and this choice does not hurt any essential properties of the system. It is notable that the interaction energy between \mathbf{s}_i and \mathbf{s}_j has an overall distance dependence as r_{ij}^{-3} and is determined by both their phase difference and the relative displacement, \mathbf{r}_{ij} . In a numerical analysis, the long-range character implies computational complexity of $O(N^2)$ for the simple Metropolis algorithm (see, however, Ref. [3] for a possible modification of this approach). For this reason, it has not been easy to precisely determine the physical properties of the phase transition in a dipole system (see Refs. [4–6] and references therein), and it still remains to be investigated from an algorithmic point of view.

In this work, we try to implement a Wolff-type single-cluster update algorithm [7] for a dipole system to challenge this issue. Specifically, we combine the Luijten-Blöte (LB)

algorithm [8] and the Dotsenko-Selke-Talapov (DST) algorithm [9] to analyze Eq. (1) and check the results in comparison to the Metropolis single-spin update algorithm. This work is organized as follows: We begin with the LB algorithm in Sec. II A and the DST algorithms will be given in Sec. II B. Then we combine them to construct the cluster-update algorithm and present results in Sec. II C. This work is summarized in Sec. III.

II. METHOD AND RESULTS

A. Luijten-Blöte Algorithm

Let us begin with a 2D ferromagnetic system described as

$$H = - \sum_{i \neq j} J_{ij} \mathbf{s}_i \cdot \mathbf{s}_j, \quad (2)$$

where $J_{ij} \equiv J/r_{ij}^3$ and each index runs from 1 to N . We regard \mathbf{s}_n as an Ising spin for a while. If one directly applies the Wolff algorithm, the updating procedure would be as follows.

1. Pick a spin randomly and add its index into a stack.
2. Retrieve an element i from the stack.
3. For every other spin \mathbf{s}_j ($j \neq i$) in the system, add its index j into the stack with probability $P_{i,j} = [1 - \exp(-2J_{ij}/k_B T)] \delta_{\mathbf{s}_i, \mathbf{s}_j}$ with the Boltzmann constant k_B .
4. If the stack is not empty, go to Step 2. Otherwise, flip the cluster.

It is obvious that Step 3 spends time proportional to $O(N^2)$ for every retrieval if the program checks whether $\mathbf{s}_i = \mathbf{s}_j$ for each spin pair. The idea of the LB algorithm is that we may first assume $\mathbf{s}_i = \mathbf{s}_j$ to calculate $P'_{i,j} = 1 - \exp(-2J_{ij}/k_B T)$, which is fixed throughout the whole computation. Note that the index i is irrelevant because every point is equivalent under the periodic boundary condition. Hence, instead of checking this probability for every spin, we can build a probability table in advance to correctly pick up possible \mathbf{s}_j 's in terms of a position relative to \mathbf{s}_i . This saves time to $O(N \log N)$, where $\log N$ appears in looking up the table with the binary search [10]. If the picked \mathbf{s}_j does not point in the same direction as \mathbf{s}_i , we do not add it into the stack because we need to recover $P_{i,j} = P'_{i,j} \times \delta_{\mathbf{s}_i, \mathbf{s}_j}$. Specifically, the prescription in Ref. [8] can be written as follows:

1. Assume that we have chosen \mathbf{s}_i from which we grow a cluster.
2. A spin \mathbf{s}_n ($j \neq i$) can be chosen with probability $Q_0(n) = (1 - P'_{i,1}) \times (1 - P'_{i,2}) \times \cdots \times (1 - P'_{i,n-1}) \times P'_{i,n}$. Let's say \mathbf{s}_j is picked up by performing this step.
3. The next spin is then selected according to a new probability distribution, $Q_j(n) = (1 - P'_{i,j+1}) \times (1 - P'_{i,j+2}) \times \cdots \times (1 - P'_{i,n-1}) \times P'_{i,n}$. This step is repeated: that is, whenever a spin \mathbf{s}_l is selected, we work with $Q_l(n)$ to find the next one. This repetition stops when no more spins are picked up.

By doing this, each spin \mathbf{s}_j is chosen with its own correct probability, $P'_{i,j}$. To demonstrate this, let us set $b_n = 1$ when \mathbf{s}_n is picked up and $b_n = 0$ in the other case. If we denote $Pr(b_1, b_2, \dots, b_n)$ as the probability of each possible event, the sum of all the probabilities to choose \mathbf{s}_2 then reads as

$$Pr(0, 1) + Pr(1, 1) = (1 - P'_{i,1})P'_{i,2} + P'_{i,1}P'_{i,2} = P'_{i,2}.$$

Likewise, the total probability to select \mathbf{s}_3 is

$$\begin{aligned} & Pr(0, 0, 1) + Pr(0, 1, 1) + Pr(1, 0, 1) + Pr(1, 1, 1) \\ &= (1 - P'_{i,1})(1 - P'_{i,2})P'_{i,3} + (1 - P'_{i,1})P'_{i,2}P'_{i,3} + P'_{i,1}(1 - P'_{i,2})P'_{i,3} + P'_{i,1}P'_{i,2}P'_{i,3} \\ &= P'_{i,3}, \end{aligned}$$

and one can readily generalize this for any arbitrary \mathbf{s}_j . It is also clear that this holds true no matter how one indexes spins as long as the index is used consistently throughout the calculation even though Ref. [8] makes it with respect to physical distances.

In picking up a spin index from such a procedure, it is convenient to work with a cumulative distribution, that is,

$$\begin{aligned} C_j(n) &= \sum_{l=j+1}^n Q_j(l) = 1 - \exp \left[-2 \sum_{l=j+1}^n J_{il}/k_B T \right], \\ -\frac{1}{2} \ln [1 - C_j(n)] &= \sum_{l=j+1}^n J_{il}/k_B T \equiv S_j(n). \end{aligned} \quad (3)$$

and one will find which spin should be picked by comparing $C_j(n)$ with a random number uniformly drawn over $[0, 1)$. A beauty of the LB algorithm is that updating of $C_j(n)$ with picking a spin hardly needs any additional computation because j only enters as a starting

index of the summation in Eq. (3) so that $S_0(n) - S_0(j) = S_j(n)$ for $1 \leq j < n$. In other words, it suffices to compute $S_0(n)$ once and to memorize it for every n in advance of the Monte Carlo iterations. One needs to reset the starting index as j when having picked up spin j , and then one will get the correct $J_{il}/k_B T$ (accordingly, correct $P'_{i,l}$) for spin $l > j$ each time by using Eq. (3). Note that it is most natural to define $S_0(0)$ as zero. Then, the LB algorithm for solving Eq. (2) modifies the Wolff algorithm given above in the following way:

1. Choose \mathbf{s}_i placed at a certain position, and make an array of partial sums $S_0(n)$ with relative displacements from this chosen spin site.
2. Pick a spin randomly and add its index into a stack. Set z as zero.
3. Retrieve an element i from the stack and do the following:
 - (a) Draw a uniform random number $u \in [0, 1)$ and find an index w that satisfies $S_0(w) \leq -\frac{1}{2} \ln(1 - u) + S_0(z) < S_0(w + 1)$. If there is no such w , terminate this loop for i . Otherwise, set z as w for the next iteration.
 - (b) Since w indicates only a relative position with respect to i , translate it into the actual position w' .
 - (c) Add w' into the stack if $\mathbf{s}_i = \mathbf{s}_{w'}$; go to step 3a.
4. If the stack is not empty, go to step 3. Otherwise, flip the cluster.

For example, let us consider a 4×4 square lattice with periodic boundaries, where the spin sites (x, y) can be thus indexed by $k(x, y) = x + 4y$, ranging from 0 to 15 [Fig. 1(a)]. In step 1, we may locate \mathbf{s}_i at $(x, y) = (0, 0)$ on the lattice, so $\mathbf{s}_i = \mathbf{s}_{k(0,0)} = \mathbf{s}_0$. With respect to this spin, one can compute J_{ij} for every other spin \mathbf{s}_j . We exclude self-interaction by setting $J_{00} = 0$, and J_{ij} should also be zero when $x = 2$ or $y = 2$ because their relative displacement is not unique due to the periodic boundary condition. In this way, one can readily construct the array $S_0(n)$. Once computed in step 1, it can be used at any spin site (x, y) to calculate the probability to add another spin to the stack because the interaction depends only on the relative displacement between them. the relative position of \mathbf{s}_j with respect to \mathbf{s}_i needs to be converted to the actual position on the lattice in step 3(b). Suppose that a spin at $(1, 1)$, i.e., $\mathbf{s}_{k(1,1)} = \mathbf{s}_5$, is retrieved from the stack. Then, the situation with this spin as a

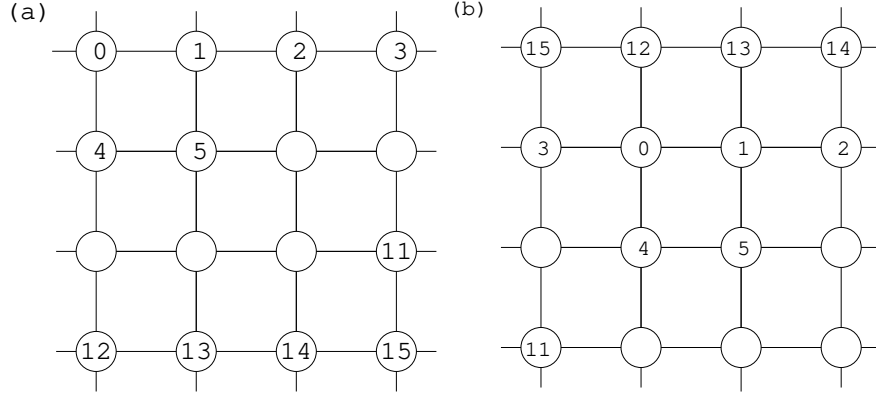


FIG. 1: (a) A square lattice of size 4×4 indexed with reference to the spin at the top left position $(x, y) = (0, 0)$. Note that the spin with index 0 has *two* different shortest paths to the spin with index 2 due to the periodic boundary condition. (b) The indices are translated with a new reference point at $(x, y) = (1, 1)$.

reference point is equivalent to Fig. 1(b) under a simple translation. We check which other spins can be added to the stack by comparing the random number u with $C_j(n)$ in step 3(a) [see Eq. (3)]. If this procedure tells us to add $w = 13$, this correspond to spin 2 according to the original index in Fig. 1(a). Therefore, we should add spin 2 to the stack. Now, the starting index in Eq. (3) is changed to $w = 13$. Getting back to step 3(a) and drawing a new random number, let's say that we get $w = 15$ this time. As before, comparing Figs. 1(a) and 1(b), we add spin 0 to the stack, and go back to step 3(a). The next $w > 15$ must be beyond the valid range of spin indices, so we stop considering s_5 and retrieve another spin from the stack. This is repeated until the stack becomes empty.

This algorithm can be extended to simulate XY spins as well: one should assign a reflection plane by randomly drawing $\phi \in [0, 2\pi)$ on choosing a seed of the cluster, as originally devised in Ref. [7]. Every spin inside the generated cluster will be reflected with respect to this plane. We denote this reflection as an operator R_ϕ so that the operation is represented as $\mathbf{s}_i \rightarrow R_\phi \mathbf{s}_i$. Accordingly, whether a spin can be included in the cluster should be also determined by the energy difference due to such a reflection so that the added probability becomes $P_{i,j} = 1 - \exp[-J_{ij}(R_\phi \mathbf{s}_i - \mathbf{s}_i) \cdot \mathbf{s}_j / k_B T]$. The LB algorithm for the Ising case first overestimates $P'_{i,j} = 1 - \exp(-2J_{ij}/k_B T)$ and then adjust it by using the Kronecker delta $\delta_{\mathbf{s}_i, \mathbf{s}_j}$. For XY spins, an overestimate occurs in the same way, but the adjustment should be made by replacing the Kronecker delta with the probability

$$P_{\text{add}} = \max \left\{ 0, \frac{1 - \exp[-J_{ij}(R_\phi \mathbf{s}_i - \mathbf{s}_i) \cdot \mathbf{s}_j / k_B T]}{1 - \exp(-2J_{ij} / k_B T)} \right\}.$$

B. Dotsenko-Selke-Talapov Algorithm

The DST algorithm was devised to use cluster updates in frustrated systems. In order to illustrate the main idea, we consider a local version of Eq. (1):

$$H = J \sum_{\langle ij \rangle} \mathbf{s}_i \cdot \mathbf{s}_j - 3(\mathbf{s}_i \cdot \mathbf{r}_{ij})(\mathbf{s}_j \cdot \mathbf{r}_{ij}), \quad (4)$$

where the summation runs over all the nearest neighbor pairs [11]. In growing a cluster C , one considers only the first term in Eq. (4) because it satisfies $(R_\phi \mathbf{s}_i) \cdot (R_\phi \mathbf{s}_j) = \mathbf{s}_i \cdot \mathbf{s}_j$ for any ϕ and does not cause any energy difference in the bulk of the cluster. Let us compare two spin configurations μ and ν that are related by one cluster flip, i.e., $\mathbf{s}_i \rightarrow \mathbf{s}'_i$ for every i so that $\mathbf{s}'_i = R_\phi \mathbf{s}_i$ for $i \in C$ and $\mathbf{s}'_i = \mathbf{s}_i$ for $i \notin C$. Then, the ratio of probabilities to select the configurations is

$$\begin{aligned} \frac{g(\mu \rightarrow \nu)}{g(\nu \rightarrow \mu)} &= \exp \left[\frac{J}{k_B T} \sum_{\langle ij \rangle} (\mathbf{s}_i \cdot \mathbf{s}_j - \mathbf{s}'_i \cdot \mathbf{s}'_j) \right] \\ &= \exp \left[\frac{J}{k_B T} \sum_{\langle i \in C, j \notin C \rangle} (\mathbf{s}_i \cdot \mathbf{s}_j - R_\phi \mathbf{s}_i \cdot \mathbf{s}_j) \right], \end{aligned}$$

just as in the Wolff algorithm. For this generated cluster, we compute an additional energy contribution from the last anisotropic term,

$$\begin{aligned} \Delta E^a &= \sum_{\langle i, j \rangle} 3(\mathbf{s}_i \cdot \mathbf{r}_{ij})(\mathbf{s}_j \cdot \mathbf{r}_{ij}) - 3(\mathbf{s}'_i \cdot \mathbf{r}_{ij})(\mathbf{s}'_j \cdot \mathbf{r}_{ij}) \\ &= \sum_{\langle i, j \rangle \in C} 3(\mathbf{s}_i \cdot \mathbf{r}_{ij})(\mathbf{s}_j \cdot \mathbf{r}_{ij}) - 3(R_\phi \mathbf{s}_i \cdot \mathbf{r}_{ij})(R_\phi \mathbf{s}_j \cdot \mathbf{r}_{ij}) \\ &\quad + \sum_{\langle i \in C, j \notin C \rangle} 3(\mathbf{s}_i \cdot \mathbf{r}_{ij})(\mathbf{s}_j \cdot \mathbf{r}_{ij}) - 3(R_\phi \mathbf{s}_i \cdot \mathbf{r}_{ij})(\mathbf{s}_j \cdot \mathbf{r}_{ij}) \end{aligned} \quad (5)$$

and accept this cluster move with probability $P_{\text{acc}} = \min[1, \exp(-\Delta E^a / k_B T)]$. Then the acceptance ratios will satisfy

$$\frac{A(\mu \rightarrow \nu)}{A(\nu \rightarrow \mu)} = \exp(-\Delta E^a / k_B T),$$

and the transition probabilities in total restore the detailed balance as

$$\begin{aligned} \frac{P(\mu \rightarrow \nu)}{P(\nu \rightarrow \mu)} &= \frac{g(\mu \rightarrow \nu) A(\mu \rightarrow \nu)}{g(\nu \rightarrow \mu) A(\nu \rightarrow \mu)} \\ &= \exp \left\{ \frac{J}{k_B T} \sum_{\langle i, j \rangle} [\mathbf{s}_i \cdot \mathbf{s}_j - 3(\mathbf{s}_i \cdot \mathbf{r}_{ij})(\mathbf{s}_j \cdot \mathbf{r}_{ij})] \right\} \\ &\times \exp \left\{ -\frac{J}{k_B T} \sum_{\langle i, j \rangle} [\mathbf{s}'_i \cdot \mathbf{s}'_j - 3(\mathbf{s}'_i \cdot \mathbf{r}_{ij})(\mathbf{s}'_j \cdot \mathbf{r}_{ij})] \right\}. \end{aligned}$$

Although this algorithm certainly works, one should note that the cluster growth does not exactly describe the given system, which means that the cluster update may not be helpful in overcoming critical slowing down [12, 13]. What usually happens is that a cluster grown to a large size is simply rejected at the last step, leading to an amount of inefficiency. Collecting ΔE^a during the cluster growth may reduce this problem to some extent [14]: we will check whether this cluster will be accepted every time G spins are added. Defining $\Delta E_{ij}^{(1)} = J[3(\mathbf{s}_i \cdot \mathbf{r}_{ij})(\mathbf{s}_j \cdot \mathbf{r}_{ij}) - 3(R_\phi \mathbf{s}_i \cdot \mathbf{r}_{ij})(\mathbf{s}_j \cdot \mathbf{r}_{ij})]$ and $\Delta E_{ij}^{(2)} = J[3(\mathbf{s}_i \cdot \mathbf{r}_{ij})(R_\phi \mathbf{s}_j \cdot \mathbf{r}_{ij}) - 3(R_\phi \mathbf{s}_i \cdot \mathbf{r}_{ij})(R_\phi \mathbf{s}_j \cdot \mathbf{r}_{ij})]$, we write down the cluster algorithm for Eq. (4) as follows:

1. Pick randomly a spin and add its index into a stack. Determine a reflection plane by randomly drawing $\phi \in [0, 2\pi)$ and set a variable ΔE_g^a as zero.
2. Retrieve an element i from the stack.
3. For every nearest neighbor j of i ,
 - (a) if j is not included in the cluster, add it into the stack with probability $P_{i,j} = 1 - \exp[-J(R_\phi \mathbf{s}_i - \mathbf{s}_i) \cdot \mathbf{s}_j / k_B T]$. Add $\Delta E_{ij}^{(1)}$ to ΔE_g^a .
 - (b) Otherwise, add $\Delta E_{ij}^{(2)}$ to ΔE_g^a .
4. If G spins are added into the cluster or the stack is empty, check whether the cluster can be flipped with probability $\exp(-\Delta E_g^a / k_B T)$ and then set ΔE_g^a as zero.
 - (a) If the answer is no, finish this Monte Carlo step.
 - (b) If the stack is empty and the answer is yes, flip the cluster.
 - (c) Otherwise, go back to step 2.

C. Cluster Algorithm

We now combine the LB algorithm and the DST algorithm to solve the long-ranged anisotropic dipole interaction in Eq. (1). We generate a cluster by using the first term of Eq. (1), which is the same as the LB algorithm (Sec. II A) except that the interaction becomes antiferromagnetic due to $J > 0$. The DST algorithm (Sec. II B) is needed to take the remaining terms into account. Because collecting terms during the cluster growth takes time of $O(N^2)$ on every retrieval from the stack, which is highly time-consuming, we examine the flip after fully generating a cluster at an expense of low acceptance ratio. The algorithm can be written down as follows:

1. Imagine that \mathbf{s}_i is placed at the center of the square lattice, and make an array of partial sums $S_0(n)$ with relative displacements from this spin site.
2. Pick randomly a spin and add its index into a stack. Determine a reflection plane by randomly drawing $\phi \in [0, 2\pi)$.
3. Retrieve an element i from the stack and do the following:
 - (a) Draw a uniform random number $u \in [0, 1)$ and find an index w that satisfies $S_0(w) \leq -\frac{1}{2} \ln(1 - u) + S_0(z) < S_0(w + 1)$. If there is no such w , terminate this loop for i . Otherwise, set z as w for the next iteration.
 - (b) Because w indicates only a relative position with respect to i , translate it into the actual position w' .
 - (c) Add w' into the stack with probability

$$P_{\text{add}} = \max \left\{ 0, \frac{1 - \exp [J_{ij}(R_\phi \mathbf{s}_i - \mathbf{s}_i) \cdot \mathbf{s}_j / k_B T]}{1 - \exp(-2J_{ij} / k_B T)} \right\}.$$

Go to step 3a.

4. If the stack is not empty, go to step 3. Otherwise, go to the next step.
5. For every spin pair i, j inside the generated cluster C , calculate the energy difference

$$\Delta E_{\text{bulk}}^a = J \sum_{ij} [3(\mathbf{s}_i \cdot \mathbf{r}_{ij})(\mathbf{s}_j \cdot \mathbf{r}_{ij}) - 3(\mathbf{s}'_i \cdot \mathbf{r}_{ij})(\mathbf{s}'_j \cdot \mathbf{r}_{ij})] / r_{ij}^3.$$

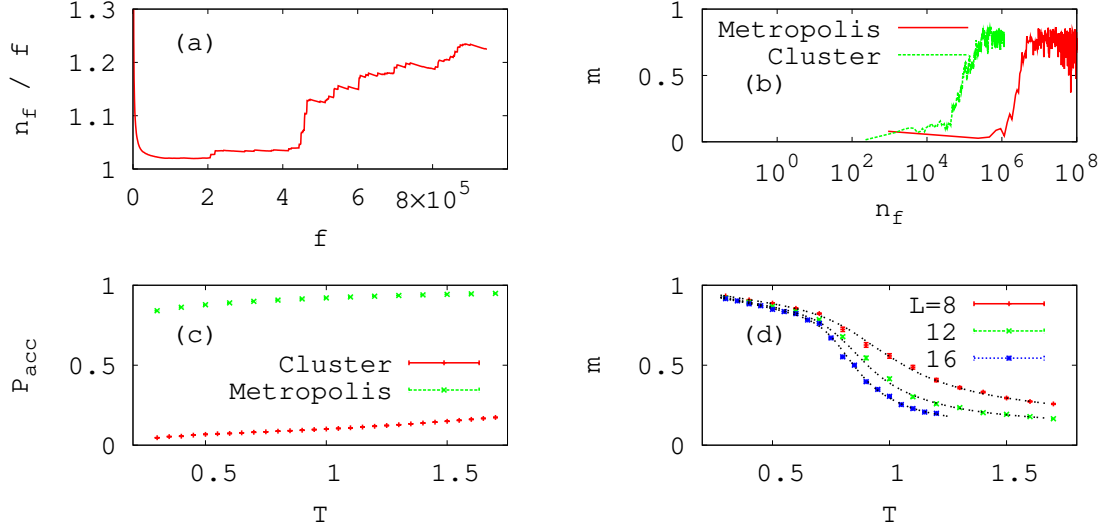


FIG. 2: The total number of flipped spins is denoted as n_f and f is the number of cluster flips. We plot (a) the average number of updated spins per flip and (b) the magnetic order parameter as a function of n_f , measured for $L = 16$ and temperature $T = 0.7$ in units of J/k . (c) Acceptance ratios of the cluster algorithm and the Metropolis algorithm. The system size is taken as $L = 8$. (d) Magnetic order parameter obtained by using the cluster algorithm. The dotted lines show results based on the Metropolis algorithm for comparison.

6. For every spin pair $i \in C$ and $j \notin C$, calculate the energy difference

$$\Delta E_{\text{surface}}^a = J \sum_{ij} [3(\mathbf{s}_i \cdot \mathbf{r}_{ij})(\mathbf{s}_j \cdot \mathbf{r}_{ij}) - 3(\mathbf{s}'_i \cdot \mathbf{r}_{ij})(\mathbf{s}_j \cdot \mathbf{r}_{ij})] / r_{ij}^3.$$

7. Flip the cluster with probability

$$P_{acc} = \min \{1, \exp [-(\Delta E_{\text{bulk}}^a + \Delta E_{\text{surface}}^a) / k_B T]\}.$$

As one sees in Sec. II B, the energy contribution due to the anisotropy should be calculated inside the cluster and at its surface. If the generated cluster has a size c , the computation for the bulk part roughly takes $c^2/2$ while the surface part needs $c(N - c)$. In order for the whole system to be updated, this should be repeated N/c times. Hence, as a whole, it takes $[c^2 + c(N - c)] \times N/c = N^2 [1 - \frac{c}{2N}]$. In other words, $O(N^2)$ complexity does not disappear, but decreases to a limited extent. Figure 2(a) shows how many spins one cluster flip actually updates, which is a small number. Here, the temperature $T = 0.7J/k_B$ is chosen to be around the order-disorder transition point [6]. If we measure time in terms

of the number of flipped spins as in Ref. [15], the magnitude of staggered magnetization, m , is observed to equilibrate substantially faster than the standard Metropolis algorithm [Fig. 2(b)]. Here, the staggered magnetization is defined as

$$\mathbf{m} = (m_x, m_y) = N^{-1} \sum_i \boldsymbol{\sigma}_i,$$

with $\boldsymbol{\sigma}_i \equiv [(-1)^{y_i} \cos \theta_i, (-1)^{x_i} \sin \theta_i]$, where the position of each spin is given as $\mathbf{r}_i = (x_i, y_i)$ and the spin variable is written as $\mathbf{s}_i = (\cos \theta_i, \sin \theta_i)$ [16]. We take the magnitude $m = |\mathbf{m}|$ as the order parameter of this dipole system. Figure 2(b) implies that the global update indeed carries out nontrivial moves, even though this factor is largely compensated by the low acceptance ratio in practical computations [Fig 2(c)]. A trick to get a higher acceptance ratio is to perform occasionally such a move that rotates every spin in the generated cluster by π because this is the only possible global move that does not cause ΔE_{bulk}^a . However, this trivial move hardly makes any essential difference in performance. Figure 2(d) shows the outcomes from this algorithm, as well as results based on the Metropolis algorithm for comparison. The nice agreement found in the order parameter confirms the validity of this cluster algorithm.

The autocorrelation time τ can be measured by integrating the autocorrelation for an equilibrated time series of m . In Fig. 3, we compare τ of our cluster algorithm with that of the Metropolis algorithm. We have very limited sizes so it is not easy to quantify the critical behavior $\tau \sim L^z$. For the Metropolis algorithm, however, $\tau \approx L$ seems to be a plausible description up to the sizes used in this work [Fig. 3(a)]. On the other hand, the cluster algorithm shows only a little increase in τ at $L = 16$ [Fig. 3(b)], which suggests that τ can be a sublinear function of L .

III. DISCUSSION

A recent numerical observation based on extensive use of the Metropolis algorithm suggests that the order-disorder transition of the 2D square dipole lattice is consistent with the 2D Ising universality class [4], which has been inconclusive to a large extent. We have reached the same conclusion by running the Metropolis algorithm on a number of CPU's in parallel [6]. When run on a single CPU, the agreement of the cluster-algorithm approach found in Fig. 2(d) is striking, and this shows that the main obstacle in identifying the critical

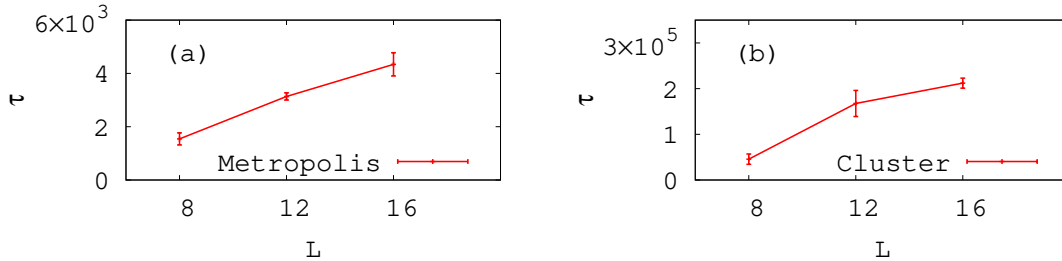


FIG. 3: (a) Autocorrelation time of m at $T = 0.7J/k_B$ in the Metropolis algorithm, where one Monte Carlo step is defined as attempting to flip every spin in the system. (b) The same quantity in the cluster algorithm, where one Monte Carlo step corresponds to a cluster generation.

behavior has been the equilibration rate, as suggested in Ref. [5]. An efficient algorithm is, therefore, called for in order to obtain more precise critical properties of the dipole lattices, and we hope that this cluster algorithm can be a step toward it.

Even though the complexity of $O(N^2)$ still remains in our cluster algorithm, it has an advantage over the simple Metropolis algorithm when time is measured by spin flips [Fig 2(b)]. The problem is that it shows little gain in terms of real time due to the low acceptance ratio, which comes from collecting the anisotropic contributions. This possibly indicates a direction to improve this cluster-update approach.

Acknowledgments

We acknowledge the support from the Swedish Research Council with Grant No. 621-2008-4449. This research was conducted using the resources of the High Performance Computing Center North (HPC2N).

-
- [1] J. W. Lynn, W-H. Li, Q. Li, H. C. Ku, H. D. Yang, and R. N. Shelton, *Phys. Rev. B* **36**, 2374 (1987).
 - [2] A. B. MacIsaac, J. P. Whitehead, K. De'Bell, and K. S. Narayanan, *Phys. Rev. B* **46**, 6387 (1992).
 - [3] M. Saaki, *J. Phys. Soc. Jpn* **77**, 024004 (2008).
 - [4] J. F. Fernández and J. J. Alonso, *Phys. Rev. B* **76**, 014403 (2007).

- [5] Y. Tomita, *J. Phys. Soc. Jpn.* **78**, 114004 (2009).
- [6] S. K. Baek, P. Minnhagen, and B. J. Kim, *Phys. Rev. B* **83**, 184409 (2011).
- [7] U. Wolff, *Phys. Rev. Lett.* **62**, 361 (1989).
- [8] E. Luijten and H. W. J. Blöte, *Int. J. Mod. Phys. C* **6**, 359 (1995).
- [9] V. S. Dotsenko, W. Selke, and A. L. Talapov, *Physica A* **170**, 278 (1991).
- [10] K. Fukui and S. Todo, *J. Comp. Phys.* **228**, 2629 (2009).
- [11] S. Prakash and C. L. Henley, *Phys. Rev. B* **42**, 6574 (1990).
- [12] P. W. Leung and C. L. Henley, *Phys. Rev. B* **43**, 752 (1991).
- [13] V. Cataudella, G. Franzese, M. Nicodemi, A. Scala, and A. Coniglio, *Phys. Rev. Lett.* **72**, 1541 (1994).
- [14] U. K. Röbner, *Phys. Rev. B* **59**, 13577 (1999).
- [15] M. E. J. Newman and G. T. Barkema, *Phys. Rev. E* **53**, 393 (1996).
- [16] K. De'Bell, A. B. MacIsaac, I. N. Booth, and J. P. Whitehead, *Phys. Rev. B* **55**, 15108 (1997).