

# An X-Ray Free Electron Laser Oscillator with Intermediate Energy Electron Beam

Jinhua Dai Haixiao Deng\* Zhimin Dai

*Shanghai Institute of Applied Physics, Chinese Academy of Sciences, Shanghai, 201800, PR China*

Harmonic lasing of low-gain free electron laser oscillator has been experimentally demonstrated in terahertz and infrared region. Recently, together with the high-reflectivity high-resolution x-ray crystal, low-gain oscillator was reconsidered to be a promising candidate for hard x-ray free electron laser. In this letter, we propose a harmonic lasing scheme of x-ray free electron laser oscillator, and discuss the possibility to generate hard x-ray radiations with an intermediate energy electron beam. Study shows that fully coherent free electron laser radiation with megawatt (MW) peak power, in the spectral region of 10-25keV, can be generated with a 3.5GeV electron beam.

PACS numbers: 41.60.Cr

The developments of advanced particle accelerator technology, especially synchrotron radiation (SR) light source and free electron laser (FEL) has been satisfying the strong growing demand for photon source within material and biological sciences. The fundamental process of SR and FEL sources is that a relativistic electron beam passes through a transverse periodic magnetic field, i.e. the undulator, and generates coherent electromagnetic radiation ranging from the infrared to hard x-ray regions. However, the undulator period of presently existed light sources are in the order of centimeters, and is limited by the practical difficulty of placing strong and small magnets together in an alternating array. Thus, it implies that to achieve short-wavelength radiation, i.e., hard x-ray, the SR and FEL sources would require a high energy electron beam, which means enormous machines, substantive costs, much time and efforts consuming. However, according to the resonant relationship of the undulator, the radiation wavelength inversely scales with the harmonic number. Therefore, high harmonics would be an alternative way to short-wavelength instead of high energy electron beam. The development of intermediate energy SR light sources has been attributed to high harmonics of the undulator. Compared with the expensive large scale high energy SR light sources such as ESRF, APS and Spring-8 where the high brightness hard x-ray radiations are mainly generated by undulator operating at the first harmonic, the intermediate energy SR light sources operating at high harmonics have lower construction and operation costs, and are able to provide comparable performance in the x-ray of 10-20keV range [1].

In the last decades, people are increasingly interested in the development of short-wavelength FEL, which is known as the 4<sup>th</sup> generation light source capable to enable new areas of science. Currently, the linac coherent light source (LCLS) [2], the world's first hard x-ray FEL is in operation as a user facility, and the other four hard x-ray FELs will serve continuously in the future years [3~6]. All abovementioned hard x-ray FELs take self-amplified spontaneous emission (SASE) [7] as the lasing mode, which starts from the initial shot noise of the electron beam, and results in a radiation with excellent spatial coherence, but with a rather poor temporal coherence. Simultaneously, various seeded FELs [8-10] are proposed to produce fully coherent radiation pulses and approaching hard x-ray region. It is widely believed that high gain single-pass FEL is the leading candidate in current pursuit of the hard x-ray FEL sources. Harmonic radiation also exists in the emission spectrum of high-gain FEL, and has been theoretically studied [11] and experimentally measured [12, 13]. However, harmonics radiations in high gain FEL are nonlinear and weak. The output power of the 3<sup>rd</sup> nonlinear harmonic radiation is about 1% level of the fundamental. Thus, novel schemes [14~17] were proposed for enhancing the harmonic efficiency in high-gain FEL, and some of which people are considering the experimental demonstration.

Recently, with the development of the high-reflectivity high-resolution x-ray crystal [18], the low-gain oscillator configuration was reconsidered to be a promising candidate and complementarities of hard x-ray FEL [19]. With the peak brilliance comparable to SASE and the average brilliance several orders of magnitude higher than SASE, the hard x-ray FEL oscillator (XFEL) in the range of 5-20keV may open up new scientific opportunities in various research fields, such as x-ray imaging and especially angle-resolved photoemission spectroscopy based time-resolve measurement of Fermi surfaces. As well known, harmonic lasing in the low-gain oscillator was predicted in 1980 [20]. And since then, the 2<sup>nd</sup> [21], 3<sup>rd</sup> [22, 23] and 5<sup>th</sup> [24] harmonic lasing was experimentally demonstrated by many groups in the spectral region from terahertz to infrared. In this letter, we propose a harmonic lasing scheme of XFEL and discuss the possibility to generate hard x-ray FEL with an intermediate energy electron beam. The key components are the selected phase jump between the undulator segments and the high-resolution x-ray crystal mirrors. Our study shows that coherent FEL radiation with megawatt (MW) peak power, in the spectral region of 10-25keV, can be generated with a 3.5GeV electron beam.

The challenges of harmonic lasing in an oscillator is, first, a sufficient single pass gain at harmonic wavelength which should be higher than the cavity losses, and, second, a more favorable lasing relation for the high harmonic than for the fundamental one. Usually, switching between the lasing regimes on fundamental or high harmonics can be obtained by a simple manipulation with the optical resonator. As shown in Fig. 1, the Bragg energy  $E_H$  of the crystal mirrors in XFEL is selected to be the photon energy of the interested harmonics, instead of that of the fundamental radiation. Meanwhile,

since XFELO requires several segments of undulator to obtain a sufficient single pass gain, with a right choice of the phase jump  $\Delta\phi$  between the adjacent undulator segments, the electron interaction with the fundamental is disrupted, while the harmonic interaction evolves unhindered [16]. Under such circumstance, the lasing of the harmonic is expected to dominate that of the fundamental. Moreover, as illustrated in Fig. 2, if a four-crystal cavity is utilized, it will hold a promising wavelength tuning ability for a harmonic lasing XFELO [25].

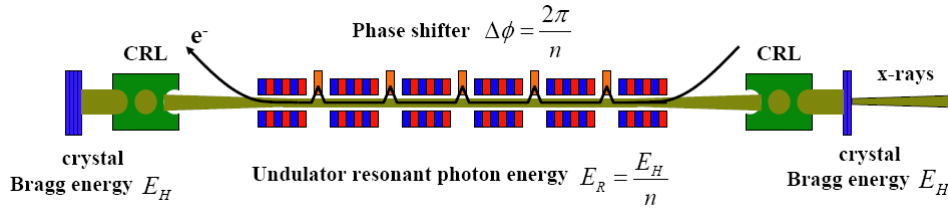


FIG. 1. Harmonic lasing scheme of a x-ray FEL oscillator.

One may argue that the harmonic lasing could be realized even without the phase jump, because of the high selectivity of the x-ray crystal mirrors. What we need emphasis here is that, once the Bragg energy  $E_H$  and the phase jump  $\Delta\phi$  is matched, the lasing on the fundamental (i.e., unsaturated SASE) and the harmonics (i.e., saturated XFELO) is possible in the proposed scheme simultaneously. On the other hand, the existence of the phase jump stops the harmonic reaching the nonlinear interaction region by suppressing the strong exponential growth of the fundamental radiation.

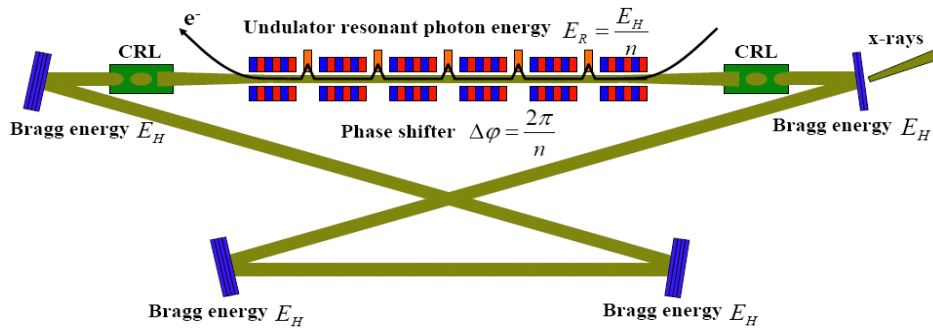


FIG. 2. Harmonic lasing scheme of a four-crystal x-ray optical cavity allowing a broad range of wavelength tuning.

To obtain harmonic lasing in a XFELO, the first limiting factor is to generate a high brightness beam with sufficient single-pass gain at harmonic wavelengths. As shown in early reports, the high coherence mode of an energy recovery linac (ERL) is well suited for an XFELO. The electron beam parameters assumed here are: charge  $Q=20\text{pC}$ , normalized transverse emittance  $\varepsilon_{nx}=0.083\mu\text{m-rad}$ , peak current less than 100A, sliced energy spread 100keV. Since these beam parameters are invariant under acceleration, we assume a 3.5GeV superconductive linac with a micro-pulse repetition rate of 1MHz, which is similar as the linac of FLASH [26] and European x-ray FEL [4]. The 20pC charge operation [27] was already demonstrated in LCLS with a peak current of several kA and a similar low charge operation for European XFEL was also numerically investigated. We are optimistic about achieving the abovementioned beam parameters since the peak current in our case is two orders of magnitude lower. Besides, “start-to-end” simulation in further study, which is based on the beam dynamics of European XFEL, supports the beam parameters here.

TABLE I. The main parameters of XFELO

Crystal Bragg energy $E_H$	12.42keV	20.71keV
Phase jump $\Delta\phi$	$4\pi/3$	$6\pi/5$
Undulator period $\lambda_u$	15mm	15mm
Undulator number $N_u$	1200	1200
Undulator parameter $K$	1.3244	1.3244
Beam energy $E$	3.5GeV	3.5GeV
Sliced energy spread $\sigma$	100keV	100keV
Beam peak current $I$	20A	100A
Sliced emittance $\varepsilon_{nx}$	0.083 $\mu\text{m-rad}$	0.083 $\mu\text{m-rad}$
Single pass gain $g_h$	65%	72%
Total Cavity reflection $r$	80%	80%
Cavity length $L_c$	150m	150m
Bragg crystal	C(4,4,4)	C(5,5,9)
FWHM spectral width	5.5meV	24.6meV
FWHM temporal width	463fs	107fs
Photons / pulse	$0.86\times 10^8$	$0.24\times 10^8$
Output peak power	0.35MW	0.74MW

Table 1 gives two examples of XFEL, corresponding to the 3<sup>rd</sup> and the 5<sup>th</sup> harmonic lasing. The beam parameters are assumed to be those listed above. The undulator parameters are chosen to be resonant at a wavelength of 0.3nm. Thus the 3<sup>rd</sup> and the 5<sup>th</sup> harmonic of the undulator radiation is 0.1nm (12.42keV) and 0.06nm (20.71keV), respectively. Fig. 3 illustrates the numerically simulated single-pass gain of the harmonics, with respect to different phase jump between undulator segments, where the right column parameters in table 1 was used. It indicates an optimal phase jump of  $4\pi/3$  and  $6\pi/5$  for the 3<sup>rd</sup> and 5<sup>th</sup> harmonic lasing of XFEL, where single-pass gain of the interested harmonic is the maximum while that of other harmonics are successfully suppressed.

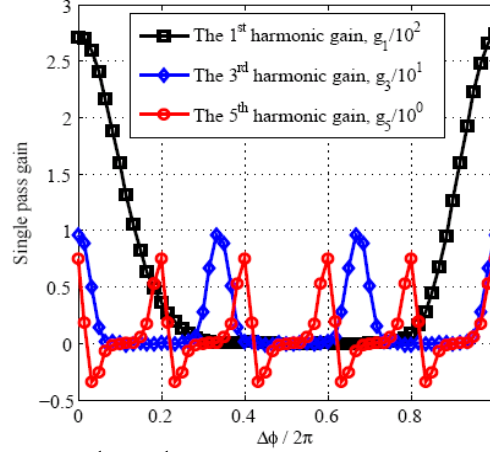


FIG. 3. The single pass gain of the 1<sup>st</sup>, 3<sup>rd</sup> and 5<sup>th</sup> harmonic .vs. different phase jump between undulator segments.

To trap the radiation and maximize the FEL gain, the harmonic lasing of XFEL must provide appropriate transverse focusing, effective reflection and transmission output coupling of the interested harmonic radiation. This can be accomplished with presently available Bragg crystals with appropriate thickness, as shown in Fig. 1 and 2. The total reflectivity and the output coupling of the XFEL cavity are assumed to be 80% and 5%, respectively. Since  $(1+g_h)r > 1$ , where  $g_h$  is the single-pass gain of the interested harmonic and  $r$  is the round-trip cavity reflectivity, the harmonic radiation evolves from initial spontaneous emission to a coherent pulse. After an exponential growth, the harmonic intensity saturates when  $(1+g_h)r=1$  because of the gain decrease caused by the high intensity over modulation. In the following discussion, only the results of the 3<sup>rd</sup> harmonic lasing case are given for simplification.

To study the harmonic lasing of XFEL, GENESIS [28] was modified to enable import of external harmonic field file. The propagation of the x-ray in free space between the undulator and the crystal, reflection by the Bragg mirrors and focusing are modeled by OPC [29]. The frequency filtering of the Bragg mirror is carried out in the spectral domain and transformed back to the time domain. Under such circumstances, time-dependent tracking from initial spontaneous emission to final saturation took about 3 months for 1 CPU. Fig. 4 shows the radiation pulse energy as a function of the pass number. One obtain that an exponential growth emerges from the initial shot noise start up after about 50 passes.

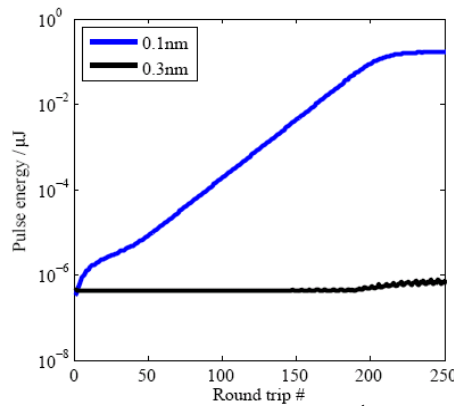


FIG. 4. The 1<sup>st</sup> and 3<sup>rd</sup> harmonic radiation energy growth in the 3<sup>rd</sup> harmonic lasing case of XFEL.

A typical example of the 12.42keV radiation evolution from initial shot noise to saturation is illustrated in Fig. 5. The first row of panel displays the temporal power profile after various pass numbers, while the second row shows us the output pulse spectrum after the same pass number. According to the simulation, 12.42keV radiation with 0.35MW peak power can be generated in the 3<sup>rd</sup> harmonic lasing of XFEL, with the parameters listed in table 1. The total energy coupled out of the cavity is 0.17μJ, corresponding to  $0.86 \times 10^8$  photons. Fig. 5 demonstrates a temporal width of 463fs and a bandwidth of 5.5meV. This corresponds to a time bandwidth product of 0.62, which is close the Fourier transform limit of 0.5 for a Gaussian pulse profile.

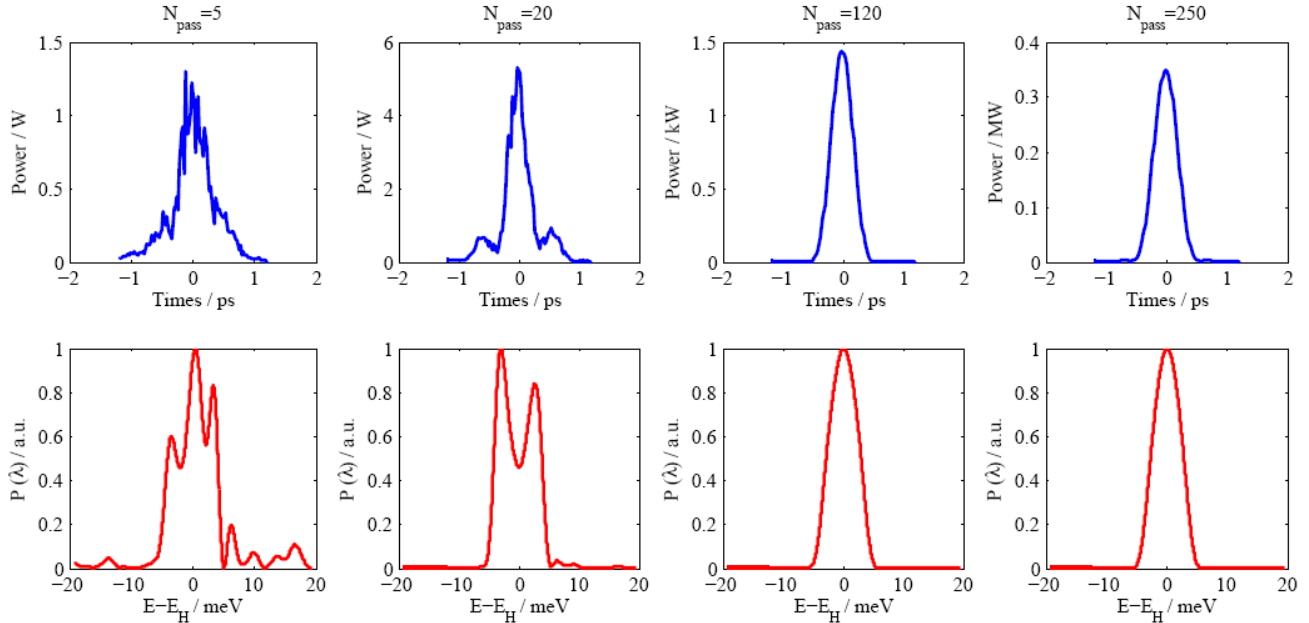


FIG. 5. The temporal and spectral profile of the 3<sup>rd</sup> harmonic in the 3<sup>rd</sup> harmonic lasing case of XFEL.

Compared with the low-gain XFEL operated at the fundamental frequency, harmonic lasing of a XFEL produces significant power and short-wavelength radiation using a lower energy electron beam. In this letter, numerical examples in hard x-ray spectral region indicate that significant 10-25keV x-ray FEL radiation can be generated by an intermediate energy beam of 3.5GeV. The peak brightness of harmonic lasing in a XFEL is comparable or one order of magnitude lower than fundamental lasing of a XFEL. With the characteristic, harmonic lasing of a XFEL would contribute to the simplification of x-ray FEL, and may open up new scientific opportunities in various research fields.

The authors would like to thank M. Zhang and Q. Gu for discussions and implement on beam dynamic simulation, B. Liu and P. J. M. Vanderslot for help in executing OPC code. This work is supported by the Chinese Academy of Science under Grant No. 29Y029011 and Shanghai Natural Science Foundation under Grant No. 09JC1416900.

\*Corresponding author: denghaixiao@sinap.ac.cn

- [1] H. Kitamura, *Journal of Synchrotron Radiation* **7**, 121 (2000).
- [2] P. Emma et al, *Nature Photonics* **4**, 641 (2010).
- [3] R. Brinkmann, "The European XFEL SC Linac Project," in Proc. of LINAC08.
- [4] T. Shintake "Status Report on Japanese XFEL Construction Project at SPring-8," in Proc. of IPAC10.
- [5] R. Ganter et al, "SwissFEL conceptual design report," PSI report 10-04 (2010).
- [6] H. S. Kang, "PAL XFEL," EFST workshop on Compact X-ray Free-Electron Lasers (2010), Shanghai, China.
- [7] R. Bonifacio, C. Pellegrini, and L. M. Narducci, *Opt. Commun.* **50**, 6 (1985).
- [8] L. H. Yu, *Phys. Rev. A* **44**, 5178 (1991).
- [9] G. Lambert et al, *Nature Physics* **4**, 296 (2007).
- [10] G. Stupakov, *Phys. Rev. Lett.* **102**, 074801 (2009).
- [11] Z. Huang and K. J. Kim, *Phys. Rev. E* **62**, 7295 (2000).
- [12] A. Tremaine, X.J. Wang, M. Babzien et al, *Phys. Rev. Lett.* **88**, 204801 (2002).
- [13] D. Ratner et al, *Phys. Rev. ST AB* **14**, 060701 (2011)
- [14] P. E Latham, B Levush, T. M. Antonsen et al, *Phys. Rev. Lett.* **66**, 1442 (1991).
- [15] L. Giannessi and P. Musumeci, *New. J. Phys.* **8**, 294 (2006).
- [16] B.W. J. McNeil et al, *Phys. Rev. Lett.* **96**, 084801 (2006).
- [17] H. X. Deng, H. Bei and Z. M. Dai, *Chin. Phys. C* **34**, 115 (2010).
- [18] Y. Shvyd'ko et al, *Nature Physics* **6**, 196 (2010).
- [19] K. J. Kim, Y. Shvyd'ko and S. Reiche, *Phys. Rev. Lett.* **100**, 244802 (2008).
- [20] W. B. Colson, *IEEE J. of Quant. Elec.* **QE-17**, 1417 (1981).
- [21] G. R. Neil et al, *Phys. Rev. Lett.* **87**, 084801 (2001).
- [22] S. V. Benson and J. M. J. Madey, *Phys. Rev. A* **39**, 1579 (1989).
- [23] R. W. Warren et al, *Nucl. Instr. and Meth. A* **296**, 84 (1990).
- [24] S. Benson et al, "First Demonstration of 5th Harmonic Lasing in a FEL", In Proc. FEL 1999, Hamburg Germany, 1999.
- [25] K. J. Kim and Y. Shvyd'ko, *Phys. Rev. ST AB* **12**, 030703 (2009).
- [26] W. Ackermann et al, *Nature Photonics* **1**, 336 (2007).
- [27] Y. Ding et al, *Phys. Rev. Lett.* **102**, 254801 (2009).
- [28] S. Reiche, *Nucl. Instr. and Meth. A* **429**, 243 (1999).
- [29] P. J. M. Vanderslot et al, *Phys. Rev. Lett.* **102**, 244802 (2009).