

# Microcontroller interrupts for flexible control of time critical tasks in experiments with laser cooled atoms

Mark Sadgrove

*Institute for Laser Science, The University of Electro-communication, 1-5-1 Chofugaoka, Chofu, Japan*

I detail applications of timer interrupts in a popular micro-controller family to time critical applications in laser-cooling type experiments. I demonstrate a low overhead 1-bit frequency locking scheme and a multichannel experimental sequencer using the timer-counter interrupts to achieve accurate timing along with flexible interfaces. The general purpose nature of micro-controllers can offer unique functionality compared with commercial solutions due to the flexibility of a computer controlled interface without the poor latencies associated with computer timing.

## I. INTRODUCTION

### A. Motivation

Novel experiments often have control requirements which fall outside the parameters offered by commercial software and hardware solutions. Additionally, the proprietary nature of commercial hardware can present problems when it comes to accurately characterising and extending the hardware used for experiments. For this reason, the continued rapid progress of integrated circuit technologies is important, providing more and more speed and functionality for a given volume with each passing year. One intriguing use of the general purpose functionality of modern integrated circuit technologies is to provide custom control of experiments.

A case in point is microcontrollers. A number of these cheap, popular “single chip computers” now have roughly the same speeds and memory sizes as personal computers of two decades ago. However, unlike a standard personal computer where useage is mediated by an operating system (OS), almost all the computational resources of a microcontroller are available to be used at the discretion of the user. The power and flexibility of modern micro-controllers has already been put to use in a number of experimental settings of which I give some recent examples in Refs. [1]. In the dynamic field of laser cooled atom based research, a recent work has amply showcased the flexibility of microcontrollers along with open source software to create a unique control system for a cold atom experiment [2].

Here, my aims are somewhat parallel to those of Ref. [2] but I focus on a more specific aspect of micro-controllers - that of *interrupts*. The principle message of this paper is that the interrupt features of modern microprocessors (described below) offer a convenient alternative to commercial hardware and software to achieve control of experiments where strict timing is required along with flexible interfacing for the user.

An additional advantage is that microcontrollers offer an entry-level way to introduce students to programming and electronics for experimental control. Although I focus on a laser cooling and atom interferometry related application here, the control of timing, frequency and phase of fields covered by these devices are vital aspects

across a broad range of physics experiments.

Interrupts are a standard feature of modern microcontrollers. Essentially, an interrupt is a processor function whereby a code branch which is executed as soon as a certain variable changes state. In principle, the variable may be a hardware register or a software variable proper, although in the present paper, I consider only interrupts generated by hardware registers of a microcontroller. Using this method, it is possible to create flexible devices with  $\sim 10\mu\text{s}$  worst case latencies – good enough to control modern atom interferometer experiments, for example.

The purpose of an interrupt is to guarantee the execution of a code branch regardless of where in a software program a microprocessor may currently be. This functionality immediately lends itself to the creation of timer triggered and external triggered events, both of which are essential in laboratory equipment, but are rarely available in more general purpose devices. It is fair to say that such microcontroller interrupts are essentially a method to provide hard real time sequencing. However, in contrast with other methods of providing high-performance timing, such as polling of a given input channel, interrupt based timing allows for a richer software interface to be created since the processor may execute additional code (e.g.a user interface) until the interrupt is received. For example, in the devices I present below, sophisticated computer interface routines with the microcontroller were possible while retaining timing accuracy. This fact allows for the construction of genuinely flexible real time instruments necessary for the control of many physics experiments.

Here, I present two applications of microcontroller interrupts - frequency locking and multichannel sequencing. Both are realized using the same microcontroller family [3, 4] running at a 16MHz clockspeed. A popular universal serial bus (USB) programmer called Arduino [5] was used for programming the microcontrollers (using the c language) and to allow a serial computer interface for control. Although I chose to use the same microcontroller family for each application, interrupts are a generic feature of microcontrollers (see, for example [6] and [7]), and the results given here are in no way limited to specific micro-controller hardware.

## B. An inexpensive, popular microcontroller programmer: Arduino

In pursuing the aims discussed above, I chose to use a popular microcontroller programming board called Arduino [5]. The Arduino project offers a universal serial bus (USB) interface coupled with a programming environment which allows simplified building and uploading of C code to popular Atmega microcontrollers made by the company Atmel. In particular, here I used the Arduino Duemilanove and Arduino Mega boards which correspond to the Atmega 168 and 1280 microcontrollers respectively.

Although the Arduino project is intended for hobbyists or people who have little confidence or experience with microprocessors, in fact it merely offers a simplified interface to programming the Atmega chips with standard AVR C[18], and therefore Arduino in principle allows full use of all the microcontroller's functions. Indeed, in the applications considered here, I directly set microcontroller registers and use timer interrupt functions which lie outside the documented purview of the Arduino project, but are nonetheless easily implemented in the Arduino programming environment.

Because of the full access to functionality in spite of the simplified presentation, I believe the Arduino project is also suited to physics laboratories, particularly in the case where students may wish to build micro-processor projects but have slim electronics or programming experience.

## II. THE EXPERIMENT

The microcontroller applications I consider here were designed for a “quantum control” experiment involving cold atoms in which atoms were subject to a phase shifted potential (also controlled by a microcontroller [8]) in order to control such effects as quantum localization [9]. Because the experiment involved a number of pulses, each of which was separately phase controlled, it is in many ways similar to an atom interferometer experiment, and I will simply refer to it as an “atom interferometer experiment” for simplicity.

I now briefly describe the experimental setup. A standard six-beam magneto-optical trap (MOT) [11] of Rb87 was built using two frequency stabilised external cavity laser diodes (ECLD). For laser cooling, the frequency stabilization was performed using a microcontroller to create a servo loop lock to a saturated absorption signal. This scheme will be described in Section III A below. A repumping laser was frequency stabilized by a servo system at 6.8 GHz from the cooling laser. This was achieved by prescaling the beat signal between the repump and cooling laser and using a frequency phase/frequency discriminator to give an error signal based on the difference between the downshifted beat signal and a local oscillator.

After amplifying the cooling laser using a tapered amplifier, repump and cooling beams were overlapped, split in 3 and sent through orthogonal ports of a stainless steel vacuum cell with appropriate circular polarizations. Retroreflecting the three beams (again using waveplates to ensure the correct polarization) created an optical molasses, and application of a quadruple field gradient using anti-Helmholz coils produced a MOT.

We also used a second microcontroller to create a 32 channel experimental sequencing device to control the various optical and magnetic fields in the experiment and make possible atom-interferometer type experiments. The specifics of this sequencer are described in Section III B below. Using the sequencer to create a polarization gradient cooling (PGC) event sequence, the atoms were cooled further to below  $20\mu K$  and subsequent application of standing wave pulses to the atoms and data acquisition was also controlled.

Finally, in order to perform interferometric type experiments with the atoms, a standing wave was created from two counterpropagating beams which could be independently frequency tuned using acousto-optic modulators (AOMs). The AOMs were driven by the amplified signals from two phase synchronised direct digital synthesis (DDS) devices. We also used a micro-controller to allow the phase of one of the beams to be changed between pre-selected values by the application of an external trigger signal, the method for which is described elsewhere [8].

## III. FREQUENCY LOCKING AND MULTI-CHANNEL SEQUENCING

The two applications of micro-controllers considered here are generally considered to be solved problems in the atom-cooling community. The frequency stabilization of a laser to a saturated absorption signal peak is usually accomplished using frequency modulation and a lock-in amplifier, whilst multi-channel sequencing of experimental equipment is typically accomplished with commercial hardware and software. Nonetheless, I show below that micro-controller interrupts coupled with basic auxiliary circuits offer a relatively simple and more flexible approach to both of these problems.

### A. 1-bit frequency stabilization device

In this section I focus on a novel peak lock system with the following notable characteristics:

- 1-bit laser frequency modulation.
- 1-bit digital-to-analog (DAC) error signal.

I emphasize that, while digital frequency stabilization is not a new idea (see, for example, [10]), the simplicity of

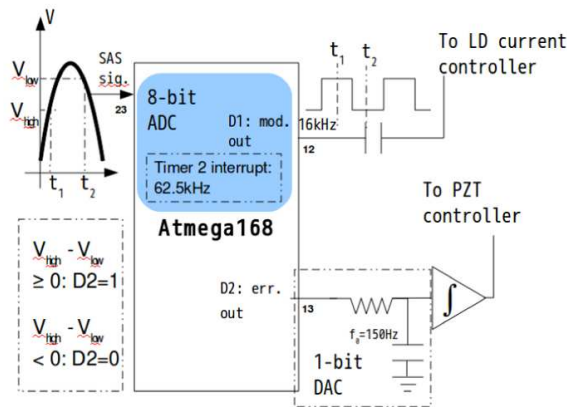


FIG. 1: Diagram of microcontroller frequency locking setup. The laser diode frequency is modulated by a digital signal, and the resultant change in the SAS signal is sampled synchronously giving  $V_{high}$  and  $V_{low}$ . A 1-bit error signal is generated asynchronously by comparing the signals and this error signal is low-pass filtered and sent to an integrator before being sent to the piezo controller.

the scheme considered here (in its use of a single microcontroller and purely digital outputs) is a strength. For example, the use of 1-bit signals to provide modulation and error signals means that the method is suitable for implementation on microcontrollers with only a few outputs and no onboard DAC. Thus, I refer to the system as *low overhead* in terms of the resources it requires to function.

### 1. Some background on laser frequency stabilization

To cool atoms using lasers, it is necessary to accurately and stably lock the frequency of a laser beam at a set detuning from an atomic cycling transition. This feat is achievable using saturated absorption spectroscopy (SAS) the peaks of which spectrum, as detected by a photodiode, provide an electronic reference signal which may be used to create a servo loop in which variation of laser diode current and/or the position of an external feedback grating (by piezo-electric means) keeps the frequency of a laser stable to within MHz.

The details of the servo-locking scheme are important as they determine the “strength” and reliability of the lock. For example, the simplest way to lock to an SAS peak is to use the midpoint of one side of the peak as a zero reference. Frequency changes of the laser lead to movement of the peak and thus induce differences in the photo-diode voltage from the reference voltage. This difference can be integrated over time and used directly as an error signal to correct the frequency of the laser.

However, this simple scheme ignores some standard laboratory realities - namely that changes in the photodiode voltage are not always due to frequency changes

in the laser and may be due to gradual alignment shifts which decrease the coupling of the SAS probe light to the photodiode. For this reason, sidelocking techniques are unstable over time. This has led to peak locking techniques gaining favour in the laser cooling community.

Peak locking requires more sophisticated electronics than the side-locking scheme. To begin with, frequency modulation of the laser diode output must be arranged. This is typically accomplished either by modulating the laser current directly or by modulating the output beam with an electro or acousto-optic modulator. The SAS probe absorption signal is monitored in phase with this modulation. Filtering the demodulated absorption signal can provide a signal which is effectively the derivative of the SAS peaks, thus providing a stable zero crossing at the peaks which can be locked to. This derivative signal is stable against low frequency drifts in the SAS signal. Although by no means difficult technically, the modulation and demodulation steps described above typically require more sophisticated electronics knowledge to construct and are performed by analog modules for modulation and demodulation whose operation is opaque. It is this fact that led me to design a very simple peak locking system in which both modulation and locking are performed *all-digitally* by an Atmega 168 micro-controller.

### 2. 1-bit peak locking method

We used an 8-bit counter/timer interrupt [3] routine with minimal auxiliary electronics to lock the frequency of a laser as follows (see Fig. 1 and Table I): The microcontroller executes a timer interrupt routine every 65.5kHz. The routine toggles between laser current modulation and sampling of the absorption signal. A *digital* frequency error signal is derived from the *sign* of the difference between the signals at high and low current modulation. This error signal is filtered and fed back to the PZT driver input. The addition of a 150Hz low pass filter at the error output creates an effective 1-bit DAC. (This is the same from of DAC used in many CD players, although here, the output here is offset so that it swings between -2.5V and 2.5V). Given that the time constant of the filter is  $\sim 1\text{ms}$  and the error signal can be updated as fast as 32kHz, the effective granularity of the filtered error signal is 32 distinct voltage levels (5-bit). The micro-controller pseudo-code for the method described here is given in Table I.

This peak-lock method is a simplified version of standard current modulation techniques. Instead of demodulating the SAS signal to produce a derivative of the spectrum, the difference in voltages measured for high and low digital modulation are used to indicate which side of the peak the current laser wavelength is. This crude approximation to the derivative is good enough for an error signal because it is fed through a low pass filter followed by an integrator which smooths the digital signal and ensures that the error signal fed to the piezo is proportional

```

loop {
  if sample == 1 do {
    e = Vhigh - Vlow
    if e < 0 write 0 to pin 9
    else write 1 to pin 9
    sample = 0 }
}

timer interrupt handler {
  toggle f
  if f is 0 do {
    write 0 to pin 6
    wait 10 micro seconds
    Vlow = voltage from ADC }
  else do {
    write 1 to pin 6
    wait 10 micro seconds
    Vhigh = voltage from ADC
    sample = 1 }
}

```

TABLE I: Pseudo-code for the frequency lock micro-controller application.

to how far from the peak the laser wavelength is.

Because 65.5kHz interrupt function is split between modulation and servo adjustment, the Nyquist limited maximum update frequency of the servo (i.e. the feedback bandwidth) is 16kHz (2s.f.). At present only feedback to the piezo is used which is adequate for current experimental purposes. The lock is stable against any drifts in the SAS signal, and typically lasts for an entire day of experiments without requiring reloading. However, without current feedback, sharp shocks, such as those created by dropping an object on the optical table where the laser is mounted, are enough to destroy the lock. Applying current feedback should remedy this situation, although the upper frequency limit of  $\lesssim 16\text{kHz}$  available for current feedback signals is somewhat lower than that available with popular analog amplitude modulation techniques and may not afford the same protection against sharp shocks. Although the locking device was not connected to a computer in the present application, in principle, the locking circuit could be used with a USB programmer [5], allowing a computer to monitor and control the locking of the cooling laser. Automatic reloading and active feedback gain adjustment are certainly realistic extensions of the current method.

As an amusing aside, I note that the code used here is adapted with permission from a project from the Centre for Media Arts in Cologne, which used the interrupts to provide sampling of an audio signal in order to produce a guitar effect [13]. In the repurposed code, which may be found at the link given in [12], I have also added a large number of detailed comments in the interest of providing an accessible introduction to the use of microcontroller interrupts for instrumentation purposes.

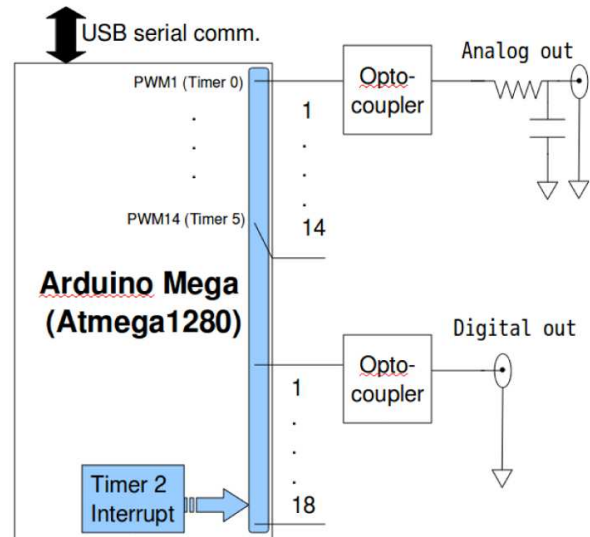


FIG. 2: Diagram of the experimental sequencer. 14 analog and 18 digital channels are available. Both analog and digital output stages begin with an opto-coupler to isolate the microprocessor side from the instrumentation side. The analog output stage uses the PWM enabled pins of the Atmega1280 and thus requires lowpass filtering before use.

## B. A flexible experimental event sequencer

I now consider an important application for many different types of laboratories: real time experimental sequencing. The sequencing device described below has the following features:

- 14 analog and 18 digital output channels.
- Sequencing of up to 256 discrete events involving arbitrary numbers of channels.
- $\sim 10\mu\text{s}$  latency of event timing over long ( $\sim 24\text{hr}$ ) time scales.
- Simple opto-isolation of all digital and analog channels.
- Computer controllable by standard serial communication (USB).

The last of the above characteristics may seem trivial, but it allows some interesting control possibilities. For example, I was able to control the experiment completely from a cellphone by sending commands over a secure shell connection. Far from being a gimmick, such a feature provides a flexible method for multiple users of an experiment to have remote control over it. This is useful, for example, in alignment or testing phases of an experiment, where fields may need to be turned off and on when the user is standing at a location separated from the main control computer.

### 1. Using microcontroller interrupts for real time control

In practice, “real time” means that the worst-case latency in timing (that is the difference between the time we set an event to occur at and the time at which it actually does occur) is sufficiently small that it does not affect the reliability of the experiment. In the case considered here, atom interferometer type experiments typically require a time-of-flight (TOF) technique to measure the final atomic position or momentum distribution. Accurate timing of the TOF sequence requires synchronized switching of laser and magnetic fields along with triggering of a measurement device (typically a charge coupled device (CCD) camera). A typical TOF measurement is conducted over 10ms and thus events during the TOF sequence must have latency and timing jitter which are small compared with this time scale.

In the experiment considered here, less than 1% latency was achieved on the 10ms time scale for 32 independent, programmable channels using a microcontroller [4] controlled by a USB programmer. Although I controlled the sequencer using a computer running the Linux operating system, the USB interface is generic, and the sequencer can be programmed from any computer which supports USB. Control sequences may be uploaded by sending standard serial control signals to the microcontroller which is programmed with custom sequencer software [14].

The sequencer operates in three separate modes, all of which are controlled from the computer by standard USB serial communications. The modes are: (i) **normal mode** where analog channel values may be set one at a time by the user sending the appropriate serial commands, (ii) **event entry mode** where analog or digital channel/value pairs are added to an “event” which occurs at a specific time in the experimental schedule and (iii) **sequencer mode** in which the events in the experiment schedule are executed in sequence controlled by a timer overflow interrupt [4].

This method of timing experimental events in the sequencer mode stands apart from many commercial methods in which events are essentially encoded into random access memory and then read out at a constant clock rate. The sequencer mode used here is similar to that found in [2], and due to the long integer format used for timing allows timing of events down to  $\sim 10\mu\text{s}$  accuracy over the course of a whole day. This means that, aside from the application I consider here, such a method should be useful in astronomy experiments or for control of data-logging which requires good timing accuracy over many hours.

Pseudo code for the major functions of the sequencer is given in Table II. The full code, which includes extensive comments and references to the relevant hardware, may be downloaded from the link given in Ref. [14]

```

loop {
  opcode = serial input
  n = serial input
  param1 = serial input
  :
  :
  param4 = serial input
  if (opcode == a or d) and
    mode == normal do {
    set channel n to value given by param1 }
  if (opcode == a or d) and
    mode == event_entry_mode do {
    Add {n, param1} to the current event }
  if opcode == e do {
    mode = event_entry_mode
    make a new event in the event schedule
    set the time of the event to n }
  if opcode == f do {
    mode == normal }
  if opcode == x do {
    mode = sequencer
    enable timer interrupt }

  if mode == sequencer do {
    if t == next_event_time do {
      loop through CV pairs in event }
    if all events done do {
      disable timer interrupt
      t = 0
      mode = normal } }
}

timer interrupt handler {
  increment t
}

```

TABLE II: Pseudo-code for principle functions of the experimental sequencer.

### 2. Digital and analog outputs

32 channels are available for independent control. These channels are divided into 18 digital and 14 analog channels. *Pulse width modulation* (PWM) was used on 14 digital outputs which, after filtering, provided an effective 8 bit output between 0 and 5 volts. This has the advantage that the same opto-coupled output stage can be used as for the digital outputs with extra filtering for the analog channels after the opto-couplers. I used Sharp PC900V optocouplers for all of the outputs which inverted the output of the Atmega micro-controller. The optocouplers give rise-times on the digital outputs of  $\sim 200\text{ns}$ , which, although much longer than standard TTL digital rise times, was more than short enough for my purposes.

PWM works by tying the value of an 8 bit timer register to a digital output pin by using the *output compare register* (OCR) method [4]. The timer register which is

incremented each clock cycle, is compared with an 8-bit OCR register whose value can be set by the user. When the timer value matches the OCR value, the digital output is flipped. By lowpass filtering this modulated digital output, a smooth quasi-DC output with 256 levels is achieved. PWM does have some disadvantages compared with real DAC. The underlying PWM frequency is the clock-speed/256 = 62.5kHz and the filtering circuits needed to smooth the output must operate at a value of at most half this frequency. This fact, coupled with software issues specific to the microcontroller I used [4] means that the analog channel rise time is significantly longer than the digital output rise time (See table III).

I note that there is some residual ripple on the analog output (see Fig. 3). This could be removed by using an output stage filter with a lower frequency cutoff at the expense of increasing the rise time of the analog channels. However, I found that the analog outputs were sufficiently noise-free to perform the operations required in the laboratory. For example, the analog outputs were used to control the power and detuning of the cooling laser in the experiment in order to effect sub-Doppler cooling, and were routinely able to reach sub-20 $\mu$ K temperatures, a result which is sufficient for experiments and comparable with results achieved using commercial digital-to-analog conversion boards.

### 3. Timing performance

Fig. 3 shows traces from four oscilloscope measurements used to gauge the timing accuracy of the sequencer. Fig. 3(a) and (b) are measurements of the outputs of two digital channels. In (a), the same sequence was run 20 times in persist mode (so that all 20 instances are overlaid on the same trace). The signal consisted of digital channel 1 of the sequencer going high as the first event and digital channel 2 going high as the second event 1000 interrupt cycles later. The oscilloscope was triggered off the channel 1 signal. I used the data shown in (a) to determine the jitter in timing by measuring the width of the 20 overlaid channel 2 signal traces. The thickness at half maximum of the traces was 7.8ns (about 13% of the 16MHz clock period) which gives a conservative estimate of the timing jitter on a digital channel. For analog channels in similar experiments (shown in Fig. 3(c) ) the thickness of the accumulated traces was 30 $\mu$ s. By contrast, the time between nominally simultaneous events created by the sequencer is 6.2 $\mu$ s for digital channels or 17 $\mu$ s for analog channels and the respective rise times of digital and analog channels are 240ns and 360 $\mu$ s.

In principle, use of interrupts can provide exactly repeatable hard real time sequencing; that is, ignoring the time between nominally simultaneous events (i.e. the systematic offset to the timing using the method of executing events one by one from a list) only the timing jitter should affect the real time latency. However, be-

|  | Digital     | Analog      |
|--|-------------|-------------|
| Rise time                                  | 240ns       | 370 $\mu$ s |
| Timing jitter                              | 7.8 ns      | 30 $\mu$ s  |
| Worst case latency                         | 6.8 $\mu$ s | 70 $\mu$ s  |
| Time between nominally simultaneous events | 6.2 $\mu$ s | 17 $\mu$ s  |

TABLE III: Timing parameters for analog and digital channels of the sequencer. Values are given to 2 s.f. accuracy.

cause interrupts work by *literally interrupting* the main code running on the micro-controller and branching to the interrupt handler, the details of the code do have an effect on the timing. This effect was seen, as shown in Fig.s 3(b) and (d) for digital and analog outputs respectively, in a slight *systematic* difference between individual realizations of a sequence. For the digital channels, as shown in (b), the timing of channel 2 going high fell in to two distinct groups separated by 6.8 $\mu$ s. This value is the worst case latency of the digital channels: that is if the user specifies the timing of one event relative to another, the difference between nominal and actual event times can differ by up to 6.8 $\mu$ s on the digital channels.

Not surprisingly, the latency is worse for the analog channels as shown in (d). Here the 20 traces of the channel 2 output, as triggered by the rising channel 1 output, fell into three distinct groups, although with the larger timing jitter, only a thick line is visible in (d). The thickness of this line at half maximum was 70 $\mu$ s which is the worst case latency for the analog channels. To put the channel latencies in perspective, it is necessary to compare them with the usual TOF measurement period, which is 10ms. Even the analog channels still have a latency less than 1% of this value, so we can see that the sequencer will provide reliable timing for typical atom interferometer type experiments. Important timing uncertainties for digital and analog channels are summarised in Table III.

### C. A brief note on the computer software interface

Although development of microcontroller based hardware is the principle subject of this paper, the software system used to interface the sequencer and control the experiment is worthy of a brief discussion. I created a custom software graphical user interface (GUI) to control the sequencer along with the rest of the experiment. The principle software was written in the C programming language, and run on an IBM Thinkpad using Ubuntu Linux.

Typically, the control system (top level) for an experiment is a graphical user interface (GUI) which interacts directly with hardware drivers (bottom level) to control the experiment. Here, however, I introduced a *middle level* of software which consisted of scripts and command line programs which could all be run from a terminal. This

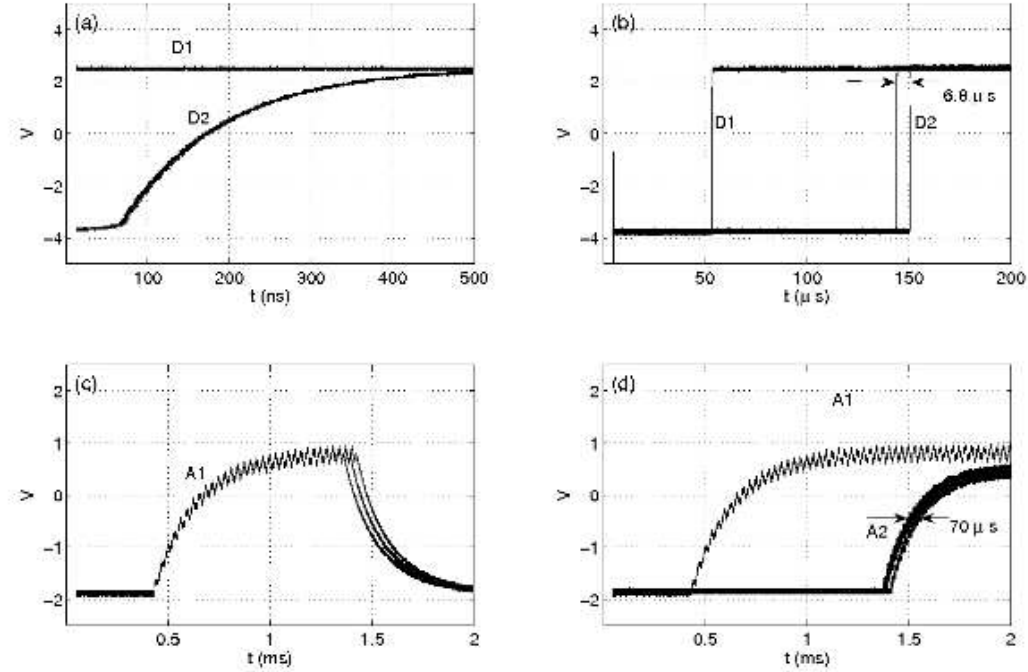


FIG. 3: Measurements of the timing accuracy of digital and analog signals of the sequencer. (a) Shows 20 traces for the digital output channel 2 (D2) as triggered by channel 1 (D1). In (b) the systematic timing error is shown (indicated by the arrows) of the digital channel. The area indicated by the arrows shows 20 traces of channel 2 as triggered by a channel 1 rising edge. The channel 2 signal rising edges gather around one of two distinct times. In (c), 20 traces of a pulse from analog channel 1 (A1). Here also, a systematic timing error leads to falling edges of the pulse gathering around 3 distinct times. Lastly, in (d) 20 traces of a channel 2 (A2) rising edge, triggered by the channel 1 rising edge, are shown. The maximum horizontal thickness of the line, indicated by the two arrows, gives the timing uncertainty.

allows much more flexibility when it comes to running the experiment remotely or from multiple users' computers. The GUI sits on top of the middle layer, providing merely a convenient interface rather than any complex functionality. The code archive for the GUI may be found at [16], while the various scripts and command line programs may be downloaded at the link given in [17]. The structure of the software is illustrated in Fig. 4

Scripts to program the timing controller were written in the Python language, and the BASH shell scripting language. All peripheral instruments were controlled by USB, including a CCD camera (Apogee ALTA U260) which was used to take data, and an Agilent pulse generator (Agilent 33220A). Experiments involving arbitrary numbers of events could be designed and then executed automatically by the software without need for human intervention.

The experimental automation system actually used a separate C program which is executed in the background and then controlled using two "first in first out" (FIFO) files. As part of the middle level of the software code, this allows the gui to be modified separately from the experimental control code and also allows any software that can write and read FIFOs to control the system.

One interesting point regarding the control of the sequencer by standard USB serial commands from the middle level of software is that it makes control from a terminal very easy. In particular, in an age when many mobile devices are connected to the internet, but mobile bandwidth is not sufficient to usefully pipe graphical displays back to devices, this simple control method seems to us to be the optimal way to allow remote control of an experiment. As an example, it was possible to control all aspects of the experiment from a cell-phone running the Android operating system using the ConnectBot software to open a secure shell to the control computer, and issuing serial commands to control the sequencer from that shell. Far from being a gimmick, we believe that this method provides the most flexible way to provide a flexible remote control to the experiment to multiple users.

#### IV. SUMMARY

The microcontroller applications considered here use only "off-the-shelf" components but they achieve levels of accuracy in timing, frequency and phase control which



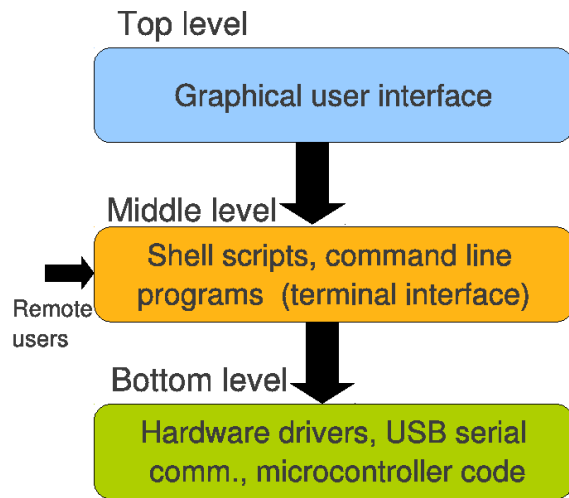


FIG. 4: Schematic diagram of the three main software layers used to control the experiment.

are suitable for running precise interferometer sequences with cold atoms.

The use of micro-controllers rather than commercial hardware solutions (assuming such solutions even exist) enables customised tools to be created for specific experimental situations and also provides more opportunities for learning electronics and programming skills for students compared with commercial “black boxes”. Indeed, although the applications here were developed for performing and novel experiments, one of the principle

strengths of using micro-controllers to run experiments, particularly when coupled with the easy to use Arduino programmers, is the opportunity they afford for education.

The applications considered here would benefit greatly if the specifications of the micro-controllers were improved. The most useful improvement would be an increase in the clock speed. This would make current feedback more viable in the locking application and improve the worst-case latency of the experimental sequencer. Additionally, the availability of hardware supported DAC would improve the frequency lock and sequencing applications.

I also note that at the moment the experiment proceeds in a linear way as designed on a computer, and does not make use of the micro-controller interrupts’ great flexibility in dealing with events generated during an experiment. There is certainly no barrier to modifying the sequencer application to be triggered off external interrupts.

#### *Acknowledgements*

The microcontroller-based work presented here was developed independently but with the support of Nakagawa-laboratory at the Institute for Laser Science. Furthermore, with respect to the entire experiment for which the applications presented here were created, and also for suggestions regarding the interpretation of the frequency locking circuit’s function, I am very grateful for the advice and support I received from Ken’ichi Nakagawa.

Additionally, the Arduino project community internet forum and related websites were an invaluable reference during the undertaking of this project.

- 
- [1] A. Combo, A.J., N. Batista, J. Sousa and C.A.F. Varandas, *Rev. Sci. Instrum.* **74**, 1815 (2003); U. C. Hasar, *Rev. Sci. Instrum.* **80**, 056103 (2009); S. Kasas, L. Alonso, P. Jacquet, J. Adamcik, C. Haerberli, and G. Dietler, *Rev. Sci. Instrum.* **81**, 013704 (2010); P. Neelamegam, A. Jamaludeen, A. Rajendran, and R. Raghunathan, *Rev. Sci. Instrum.* **80**, 044704 (2009); M. J. Joshi, J. Upadhyay, P. P. Deshpande, M. L. Sharma, and C. P. Navathe *Rev. Sci. Instrum.* **81**, 085106 (2010);
  - [2] P.E. Gaskell, J.J. Thorn, S. Alba and D. Steck, *Rev. Sci. Instrum.* **80**, 115103 (2009).
  - [3] Datasheet for the Atmega168 microcontroller, Atmel.
  - [4] Datasheet for the Atmega1280 microcontroller, Atmel.
  - [5] Web site of the Arduino project:  
<http://www.arduino.cc>
  - [6] PIC24F04KA201 Family Data Sheet, Microchip Inc. (2009).
  - [7] Interrupt driven programming for ARM microcontrollers using LabVIEW,  
<http://zone.ni.com/devzone/cda/tut/p/id/7063>
  - [8] M. Sadgrove and K. Nakagawa, in preparation.
  - [9] M. Sadgrove, S. Wimberger, K. Nakagawa, in preparation.
  - [10] T. Eom, H. Choi, and S. Lee, *Rev. Sci. Instrum.* **73**, 221 (2002); P. Jedlicka, J. Lazar, and O. Cip, *Rev. Sci. Instrum.* **77**, 063111 (2006); N. Seymour-Smith, P. Blythe, M. Keller, and W. Lange, *Rev. Sci. Instrum.* **77**, 063111 (2010)
  - [11] C. Monroe, W. Swann, H. Robinson, and C. Wieman, *Phys. Rev. Lett.* **65**, 1571 (1990).
  - [12] Source code for locking application available at:  
[http://ils.uec.ac.jp/~mark/Modulate\\_ErrorSignal.pde](http://ils.uec.ac.jp/~mark/Modulate_ErrorSignal.pde)
  - [13] Website of the Laboratory for Experimental Computer Science, Academy of Media Arts, Cologne:  
<http://interface.khm.de/index.php/lab/experiments/arduino-realtime-audio-processing>
  - [14] Source code for sequencer application available at:  
<http://ils.uec.ac.jp/~mark/XControl.pde>
  - [15] Datasheet for the AD9851 CMOS 180MHz DDS/DAC Synthesizer, Analog Devices (2004).
  - [16] Source code for the GUI is available at:  
<http://ils.uec.ac.jp/~mark/ExptCtrl.tgz>
  - [17] Source code for scripts is available at:  
<http://ils.uec.ac.jp/~mark/scripts.tgz>
  - [18] AVR C is the name of the C language standard created by Atmel to allow C programming of their micro-controllers.



