

Conversion between electromagnetically induced transparency and absorption in a lambda system

Sapam Ranjita Chanu, Kanhaiya Pandey,¹ and Vasant Natarajan*

Department of Physics, Indian Institute of Science, Bangalore 560 012, India

¹Presently at Centre for Quantum Technologies, National University of Singapore, Singapore 117543, Singapore

*Corresponding author: vasant@physics.iisc.ernet.in

Compiled March 19, 2019

We show that it is possible to change from a subnatural electromagnetically induced transparency (EIT) feature to a subnatural electromagnetically induced absorption (EIA) feature in the same three-level Λ system. The change is effected by turning on a second control beam counter-propagating with respect to the first beam. We observe this change in the D_2 line of Rb in a room-temperature vapor cell. The observations are supported by density-matrix analysis of the sublevel structure, but can also be understood qualitatively from the effects of optical pumping. © 2019 Optical Society of America

OCIS codes: 020.4180, 270.1670

Electromagnetically induced transparency (EIT) is a well-understood phenomenon in three-level systems [1, 2]. The effect arises when a strong control laser on one transition is used to modify the absorption properties of a weak probe laser on a second transition. The control laser creates new *dressed states* [3] of the combined atom-photon system due to the AC Stark shift, and it is a combination of this energy shift and the interference between the dressed states that gives rise to the EIT phenomenon. In addition, the control laser can cause population redistribution due to optical pumping, which further affects the absorption of the probe. The phenomenon of EIT has wide-ranging applications, such as high-resolution spectroscopy [4, 5], nonlinear optics [6], slowing of light [7], and quantum computation. EIT is particularly important in lambda (Λ) systems, where the presence of two ground levels allows the existence of a dark state [8]. Thus, probe absorption is exactly zero at line center, so that the width of the EIT resonance is *subnatural* when the control laser has a sufficiently low power. Even at high powers, the width of the EIT resonance *in hot vapor* shows a surprising narrowing due to Doppler averaging [9].

The phenomenon of electromagnetically induced absorption (EIA) [10, 11], though related to EIT, is not that well studied. In EIA, the probe laser shows *enhanced absorption* in the presence of a control laser. In this work, we show that it is possible to convert from EIT to EIA in the same Λ system by using *two* control beams, counter-propagating with respect to each other. All the other aspects of the phenomenon remain the same, just the narrow resonance changes from a transparency peak to an absorption dip. The observations are supported by a density-matrix calculation of the complete sublevel structure. It is also possible to understand this change qualitatively as arising from optical pumping among the various magnetic sublevels induced by the control beams. The population is redistributed so that the sublevels form a Λ -type system with one control beam and N -type

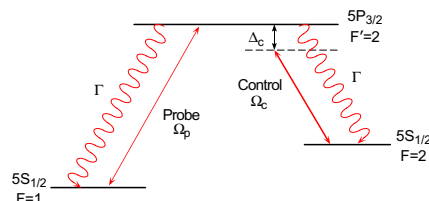


Fig. 1. (Color online) Partial energy-level diagram in Rb showing the transitions of the D_2 line used to form the lambda system.

systems [11] with two control beams.

We have performed these experiments in a room-temperature Rb vapor cell using the $5S_{1/2} \rightarrow 5P_{3/2}$ transition, which is the well-known D_2 line at 780 nm. The relevant energy levels forming the lambda system are shown in Fig. 1. The two lower levels are the $F = 1$ and $F = 2$ hyperfine levels of the ground state. The common upper level is the $F = 2$ level of the excited state. The control laser is on the $F = 2 \leftrightarrow F' = 2$ transition, while the probe laser is on the $F = 1 \leftrightarrow F' = 2$ transition. The powers in the two lasers are characterized by the respective Rabi frequencies Ω . The decay rate to the ground levels is Γ , which is $2\pi \times 6$ MHz for these transitions.

The experimental schematic is shown in Fig. 2. The probe and control beams are derived from two home-built grating-stabilized diode laser systems [12]. The instantaneous linewidth of the lasers after stabilization is about 1 MHz. The beams are elliptic and have a size of 2 mm \times 3 mm. The probe beam (P) and the co-propagating control beam (CP) have orthogonal polarizations. This allows us to mix and separate them using polarizing beam splitter cubes (PBS's), and detect only the probe beam. The $\lambda/4$ retardation plate ensures that the two beams have orthogonal circular polarizations (σ^- for P and σ^+ for CP) in the experimental cell. The counter-propagating control beam (CO) also passes through a $\lambda/4$ retardation plate, and therefore has the

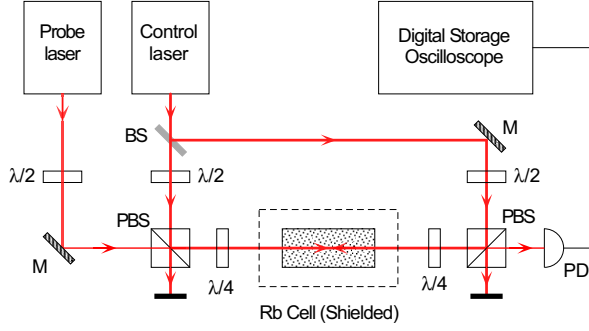


Fig. 2. (Color online) Schematic of the experiment. Figure key: BS – beam splitter, $\lambda/2$ – halfwave retardation plate, $\lambda/4$ – quarterwave retardation plate, M – mirror, PBS – polarizing beamsplitter cube, PD – photodiode.

same circular polarization as the probe beam (σ^-). The experimental cell is a cylindrical vapor cell of dimensions 25-mm diameter \times 50-mm length. The cell has a three layer magnetic shield that reduces the stray fields to below 0.1 mG.

The spectra were obtained with the probe laser locked to the $F = 2 \leftrightarrow F' = 1$ hyperfine transition, while the control laser was scanned around the $F = 2 \leftrightarrow F' = 2$ transition. Using a locked probe beam and a scanning control beam is a technique that we have developed to overcome the first-order Doppler effect (this is different from usual EIT experiments where the control beam is fixed and the probe beam is scanned) [13, 14]. In effect, the locked probe beam addresses only the zero-velocity atoms, and its absorption remains flat (Doppler free) until it is modified by the control beam. The probe beam was locked using fm modulation spectroscopy in a separate saturated-absorption spectroscopy cell.

The observations are shown in Fig. 3. The probe-absorption spectrum on the top is the usual EIT lineshape obtained with just the co-propagating control beam on. The powers are 0.9 mW for the control and 20 μ W for the probe. Though one expects the spectrum away from line center to be flat in our technique of scanning only the control beam, there is a broad (30-MHz wide) enhanced absorption peak away from line center. This is due to optical pumping by the strong control laser, which transfers population into the $F = 1$ level and thereby increases probe absorption [9]. The EIT dip at line center is only 4.4 MHz wide (0.7Γ) and is *subnatural*. When the counter-propagating control beam (with a power of 1.5 mW) is also turned on, the EIT dip gets inverted into an EIA peak. The width of the resonance remains subnatural at ~ 4.7 MHz.

In order to understand these line shapes theoretically, we consider the complete sublevel structure shown in Fig. 4(a). The probe beam and the counter-propagating control beam are σ^- polarized, and couple sublevels with the selection rule $\Delta m = -1$. The co-propagating control beam is σ^+ polarized and couples sublevels with the selection rule $\Delta m = +1$. In the density-matrix approach,

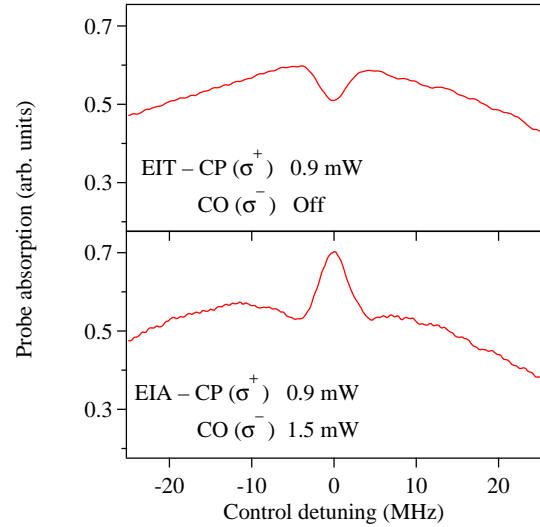


Fig. 3. (Color online) EIT to EIA conversion. Change of lineshape from enhanced probe transmission (EIT) with only the co-propagating control beam to enhanced probe absorption (EIA) with both control beams. The two control beams have orthogonal circular polarizations.

probe absorption is proportional to $\text{Im}(\rho_{12})$, where $|1\rangle$ and $|2\rangle$ are the two levels coupled by the probe laser. The calculated spectra, which take into account all the allowed transitions (weighted by their respective Clebsch-Gordan coefficients) and Doppler averaging in the room-temperature vapor, are shown in Fig. 4(b). The time evolution is stopped at 30 μ s, by which time all the transients have died down. The Rabi frequencies of the two control beams are taken to be 12 MHz and 15.5 MHz, respectively, which corresponds to the experimental powers if we take into account the $\sim 10\%$ loss at the cell entrance window. There are no other adjustable parameters. The calculations reproduce the main features of the observed spectra, namely EIT with one control beam and EIA with both control beams. However, the calculated linewidths for both the EIT and EIA features are smaller than the observed values, probably because of the 1-MHz linewidth of the probe laser (which is not included in the calculation) and misalignment between the beams.

The conversion from EIT to EIA can be understood qualitatively if we consider the effects of optical pumping. Optical pumping implies that only a few sublevels contribute to probe absorption. In the figure, these sublevels are labeled from $|1\rangle$ to $|6\rangle$, and the relevant couplings are shown using bold lines. When only P and CP are on, we have a Λ -type system with the levels $|1\rangle \leftrightarrow |2\rangle \leftrightarrow |5\rangle$. It is well known that a Λ system shows EIT [9]. When CO is also turned on, the bold lines show two N -type systems, involving the levels $|1\rangle \leftrightarrow |2\rangle \leftrightarrow |3\rangle \leftrightarrow |4\rangle$ and the levels $|1\rangle \leftrightarrow |2\rangle \leftrightarrow |5\rangle \leftrightarrow |6\rangle$. It is again known that N systems show EIA at line center [11].

While optical pumping is most easily seen when the

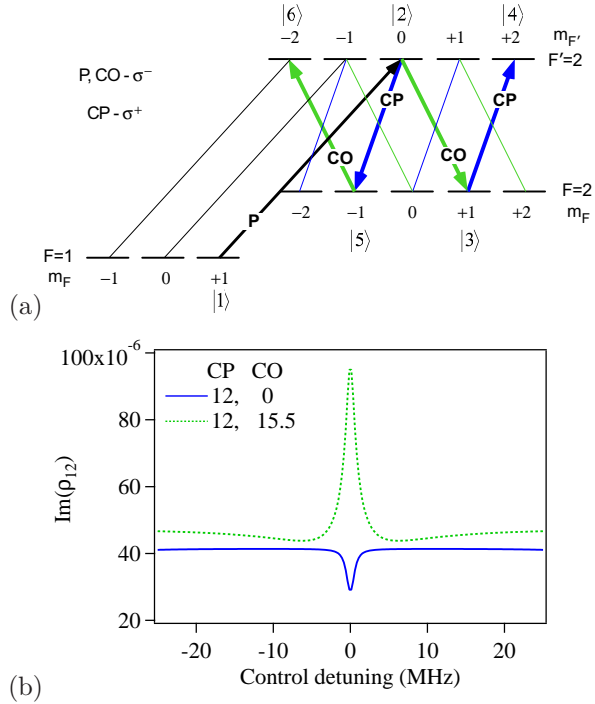


Fig. 4. (Color online) (a) Complete sublevel structure showing the levels coupled by P (σ^-), CP (σ^+), and CO (σ^-). The bold lines show coupling between the relevant sublevels when the effects of optical pumping are taken into account. With only P and CP, we get a Λ -type system – $|1\rangle \leftrightarrow |2\rangle \leftrightarrow |5\rangle$. When CO is also on, we get two N -type systems – $|1\rangle \leftrightarrow |2\rangle \leftrightarrow |3\rangle \leftrightarrow |4\rangle$ and $|1\rangle \leftrightarrow |2\rangle \leftrightarrow |5\rangle \leftrightarrow |6\rangle$. (b) Calculated probe absorption plotted as $\text{Im}(\rho_{12})$ for the two cases. The respective Rabi frequencies (in MHz) are listed.

control beams are circularly polarized, it also happens when the control beams are linearly polarized. Experimentally, this configuration is easy to realize, we just have to remove the $\lambda/4$ waveplates on either side of the cell (see Fig. 2). The two control beams then have the same linear polarization, which is orthogonal to the linear polarization of the probe beam. The observations in this case are shown in Fig. 5. As before, we get the usual EIT lineshape when only one control beam is present, and it changes to an EIA lineshape when the second control beam is also turned on. The spectra were recorded with powers of $100 \mu\text{W}$ in the probe beam and 3.4 mW in the two control beams. The higher probe power gives more signal-to-noise ratio and more prominent resonances.

In conclusion, we have shown that it is possible to convert from enhanced probe transmission to enhanced probe absorption in the same Λ system. We get the well-known subnatural EIT feature when one co-propagating control beam is on, which transforms to EIA when a second counter-propagating control beam is turned on. The observations are explained by density-matrix analysis of the complete sublevel structure. However, it can also be

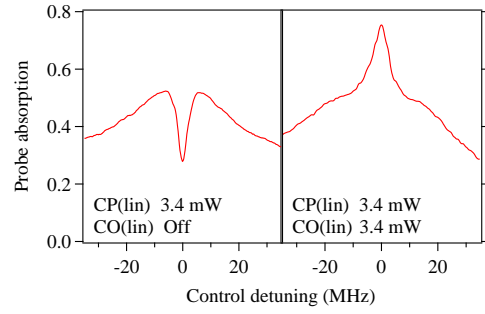


Fig. 5. (Color online) EIT to EIA conversion with linearly polarized beams. The two control beams are linearly polarized in the same direction, which is orthogonal to the probe polarization.

understood qualitatively if one takes into account the effects of optical pumping among the different magnetic sublevels, so that the relevant sublevels form a Λ system with one control beam and N systems with two control beams. The ability to not just reduce probe absorption (normal EIT) but also enhance it in a straightforward way should vastly increase the applications of this phenomenon.

This work was supported by the Department of Science and Technology, Government of India. One of us (K.P.) acknowledges financial support from the Council of Scientific and Industrial Research, India.

References

1. S. P. Tewari and G. S. Agarwal, “Control of phase matching and nonlinear generation in dense media by resonant fields,” *Phys. Rev. Lett.* **56**, 1811–1814 (1986).
2. K.-J. Boller, A. Imamoglu, and S. E. Harris, “Observation of electromagnetically induced transparency,” *Phys. Rev. Lett.* **66**, 2593–2596 (1991).
3. C. Cohen-Tannoudji and S. Reynaud, “Modification of resonance Raman scattering in very intense laser fields,” *J. Phys. B.* **10**, 365–383 (1977).
4. U. D. Rapol and V. Natarajan, “Precise measurement of hyperfine intervals using avoided crossing of dressed states,” *Europhys. Lett.* **60**, 195–200 (2002).
5. A. Krishna, K. Pandey, A. Wasan, and V. Natarajan, “High-resolution hyperfine spectroscopy of excited states using electromagnetically induced transparency,” *Europhys. Lett.* **72**, 221–227 (2005).
6. S. E. Harris, J. E. Field, and A. Imamoglu, “Nonlinear optical processes using electromagnetically induced transparency,” *Phys. Rev. Lett.* **64**, 1107–1110 (1990).
7. L. V. Hau, S. E. Harris, Z. Dutton, and C. H. Behroozi, “Light speed reduction to 17 metres per second in an ultracold atomic gas,” *Nature (London)* **397**, 594–598 (1999).
8. M. Fleischhauer, A. Imamoglu, and J. P. Marangos, “Electromagnetically induced transparency: Optics in coherent media,” *Rev. Mod. Phys.* **77**, 633 (2005).
9. S. M. Iftiqar, G. R. Karve, and V. Natarajan, “Subnatural linewidth for probe absorption in an

- electromagnetically-induced-transparency medium due to Doppler averaging,” Phys. Rev. A **77**, 063807 (2008).
10. A. Lezama, S. Barreiro, and A. M. Akulshin, “Electromagnetically induced absorption,” Phys. Rev. A **59**, 4732–4735 (1999).
 11. C. Goren, A. D. Wilson-Gordon, M. Rosenbluh, and H. Friedmann, “Atomic four-level n systems,” Phys. Rev. A **69**, 053818 (2004).
 12. A. Banerjee, U. D. Rapol, A. Wasan, and V. Natarajan, “High-accuracy wavemeter based on a stabilized diode laser,” Appl. Phys. Lett. **79**, 2139–2141 (2001).
 13. D. Das and V. Natarajan, “Hyperfine spectroscopy on the $6P_{3/2}$ state of ^{133}Cs using coherent control,” Europhys. Lett. **72**, 740–746 (2005).
 14. S. M. Iftiqar and V. Natarajan, “Line narrowing of electromagnetically induced transparency in Rb with a longitudinal magnetic field,” Phys. Rev. A **79**, 013808 (2009).