

Quantum emulation of a spin system with topologically protected ground states using superconducting quantum circuits

J. Q. You,^{1,2} Xiao-Feng Shi,^{1,2} Xuedong Hu,^{2,3} and Franco Nori^{2,4}

¹*Department of Physics and Surface Physics Laboratory (National Key Laboratory), Fudan University, Shanghai 200433, China*

²*Advanced Study Institute, The Institute of Physical and Chemical Research (RIKEN), Wako-shi 351-0198, Japan*

³*Department of Physics, University at Buffalo, SUNY, Buffalo, NY 14260-1500, USA*

⁴*Center for Theoretical Physics, Physics Department,*

University of Michigan, Ann Arbor, MI 48109-1040, USA

(Dated: October 11, 2018)

Using superconducting quantum circuit elements, we propose an approach to experimentally construct a Kitaev lattice, which is an anisotropic spin model on a honeycomb lattice with three types of nearest-neighbor interactions and having topologically protected ground states. We study two particular parameter regimes to demonstrate both vortex and bond-state excitations. Our proposal outlines an experimentally realizable artificial many-body system that exhibits exotic topological properties.

I. INTRODUCTION

Interesting phenomena, such as the Aharonov-Bohm effect and Berry phases, can occur in physical systems with nontrivial topology in real or parameter space. Topological quantum systems are now attracting considerable interest because of their fundamental importance in diverse areas ranging from quantum field theory to semiconductor physics,¹ with the most recent example being the exploration of topological insulators.^{2,3} These topological physical systems may also have potential applications because they are robust against local perturbations. Specifically, a topologically protected quantum state degeneracy cannot be lifted by any local interactions.^{1,4} It is therefore natural to consider using topological phases for applications requiring a high degree of quantum coherence.¹ For example, it has recently been pointed out that non-Abelian anyons^{5,6,7} in a fractional quantum Hall system can lead to topological quantum computing.⁸ Anyons are neither bosons nor fermions, but obey anyonic braiding statistics.^{5,6,7} Unfortunately, they have not yet been convincingly observed experimentally in any physical system.

Instead of only looking for naturally existing topological phases, one could also design artificial lattice structures that possess desired topological phases. One example is the Kitaev honeycomb model,⁹ which requires that the spin (natural or artificial) at each node of a honeycomb lattice interacts with its three nearest neighbors through three different interactions: $\sigma_x\sigma_x$, $\sigma_y\sigma_y$, and $\sigma_z\sigma_z$. Depending on the bond parameters, this anisotropic spin model supports both Abelian and non-Abelian anyons.⁹ Its realization could potentially lead to experimental demonstration of anyons and implementation of topological quantum computing. However, the requirement for anisotropic interactions is tremendously demanding and generally cannot be satisfied by natural spin lattices.

Various artificial lattices may possess interesting topological phases. For instance, it has been proposed

that a triangular Josephson junction array may have a two-fold degenerate ground state that is topologically protected.^{10,11} A recent proposal suggests the use of capacitively coupled Josephson junction arrays to simulate a two-component fermion model that has topological excitations.¹² There is also a suggestion that a Josephson junction array with properly designed interactions and topology can be local-noise resistant.¹³ With respect to the physical realization of the Kitaev model, there are proposals using neutral atoms in optical lattices.^{14,15,16} One similarity among all of these proposals, whether based on Josephson junction arrays or on optical lattices, is that they all require extremely low temperatures and precise single-atom manipulations. The reason is that topologically interesting properties are not generally contained in the symmetry of the system Hamiltonian. Instead they are only emergent properties at very low temperatures.

Here we propose a quantum emulation of the Kitaev lattice using superconducting quantum circuits (Ref. 17 gives a brief summary of this work). As for the topic of quantum analog simulations, see Ref. 18 for a brief review. In our superconducting network, a Josephson charge qubit is placed at each node of a honeycomb lattice. These charge qubits behave like artificial spins and are tunable via external fields.^{19,20,21} Each charge qubit interacts with its three nearest neighbors through three different types of circuit elements. One advantage of our proposal is that some circuit elements involved and their functionalities at low energies have already been demonstrated experimentally—for example, the $\sigma_z\sigma_z$ and $\sigma_x\sigma_x$ couplings between charge qubits have been studied in experiments.^{22,23} Here we show theoretically that they can indeed provide the needed anisotropic interactions when included in a honeycomb lattice. We then identify the ground states of this network in two different parameter regimes and show that it can have both vortex and bond-state excitations. We also describe how they can be generated using spin-pair operations.

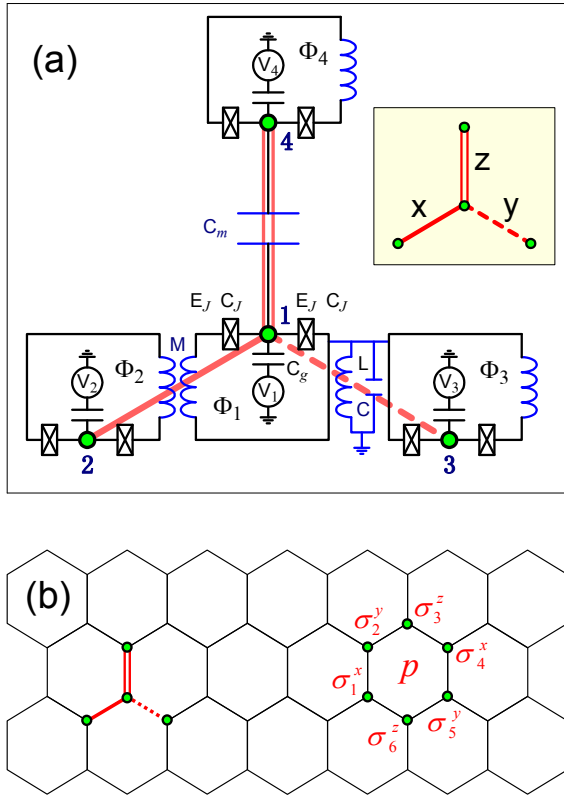


FIG. 1: (Color online)(a) Schematic diagram of the basic building block of a Kitaev lattice, consisting of four superconducting charge qubits (labelled 1 to 4): (i) Qubits 1 and 2 are inductively coupled via a mutual inductance M ; (ii) qubits 1 and 3 are coupled via an LC oscillator; and (iii) qubits 1 and 4 are capacitively coupled via a mutual capacitance C_m . Inset: The three types of inter-qubit couplings are denoted as x -, and y - or z -type bonds. Here each charge qubit consists of a Cooper-pair box (green dot) that is linked to a superconducting ring via two identical Josephson junctions (each with coupling energy E_J and capacitance C_J), to form a SQUID loop. Also, each qubit is controlled by both a voltage V_i (applied to the qubit via the gate capacitance C_g) and a magnetic flux Φ_i (piercing the SQUID loop). (b) A partial Kitaev lattice (honeycomb lattice) constructed by repeating the building block in (a), where a charge qubit is placed at each site. A plaquette operator is defined as $W_p = \sigma_1^x \sigma_2^y \sigma_3^z \sigma_4^x \sigma_5^y \sigma_6^z$ and is shown for a given plaquette p .

II. KITAEV LATTICE BASED ON SUPERCONDUCTING QUANTUM CIRCUITS

At low energies, superconducting (SC) qubits can behave as artificial spins. Among the varieties of SC qubits (charge, flux, phase,^{19,20,21} and other hybrids^{24,25,26}), only charge qubits are known to interact with each other in all the individual forms of $\sigma_x \sigma_x$, $\sigma_y \sigma_y$, and $\sigma_z \sigma_z$ (via a mutual inductance, an LC oscillator, and a capacitance, respectively).^{22,27,28,29} Therefore, to emulate a Kitaev honeycomb lattice, we propose to build a

two-dimensional SC circuit network based on SC charge qubits. More specifically, on a honeycomb lattice a charge qubit is placed on each node [Fig. 1(b)], and one of the three circuit elements is inserted along each bond of the lattice (denoted as the x -, y -, or z -type bond). A building block of this lattice is shown in Fig. 1(a), which consists of four charge qubits that are connected via an x -, a y -, and a z -type bond. Each charge qubit is a Cooper-pair box connected to a superconducting ring by two identical Josephson junctions to give it tunability: Each qubit is controlled by both the magnetic flux Φ_i piercing the SQUID loop and the voltage V_i applied via the gate capacitance C_g .

Naively, a circuit element should maintain its basic characteristics when inserted in a larger network, at least in the linear regime. However, as it has been shown in previous studies of hybrid qubits,^{24,25,26} a superconducting qubit based on one particular variable (for example, charge) can acquire characters of another (for example, flux) when additional circuit elements are added to it. Therefore, here we first clarify whether the different circuit elements in our honeycomb network maintain their basic individual characteristics (particularly the forms and strengths of the interactions) at low energies when lumped together.

We first write down the Lagrangian of the quantum circuits, choosing the average phase drop φ_i across the two Josephson junctions of each charge qubit as the canonical coordinates. After identifying the corresponding canonical momenta, we then derive (this derivation is shown in the appendix) the total Hamiltonian of the quantum circuits as

$$H = \sum_i H_i + \sum_{x\text{-link}} K_x(j, k) + \sum_{y\text{-link}} K_y(j, k) + \sum_{z\text{-link}} K_z(j, k). \quad (1)$$

Here the free Hamiltonian of the i th charge qubit is

$$H_i = E_c(n_i - n_{gi})^2 - E_{Ji}(\Phi_i) \cos \varphi_i, \quad (2)$$

where $E_c = 2e^2 C_\Sigma / \Lambda$ is the charging energy of the Cooper pair box, with the total capacitance $C_\Sigma = 2C_J + C_g + C_m$, and $\Lambda = C_\Sigma^2 - C_m^2$; $n_i = -i\partial/\partial\varphi_i$ the number operator of the Cooper pairs in the i th box (which is conjugate to φ_i); $n_{gi} = C_g V_i / 2e$ the reduced offset charge induced by the gate voltage V_i ; and $E_{Ji}(\Phi_i) = 2E_J \cos(\pi\Phi_i/\Phi_0)$ the effective Josephson coupling energy of the i th charge qubit, with $\Phi_0 = h/2e$ the flux quantum.

The three nearest-neighbor couplings, shown as the x , y , and z bonds in Fig. 1(a), are given by

$$\begin{aligned} K_x(1, 2) &= M I_1 I_2, \\ K_y(1, 3) &= -4\xi E_{J1}(\Phi_1) E_{J3}(\Phi_3) \sin \varphi_1 \sin \varphi_3, \\ K_z(1, 4) &= E_m(n_1 - n_{g1})(n_4 - n_{g4}), \end{aligned} \quad (3)$$

where

$$\begin{aligned}\xi &= L \left[\frac{\pi C_\Sigma (C_g + C_m)}{\Lambda \Phi_0} \right]^2, \\ E_m &= \frac{4e^2 C_m}{\Lambda}, \\ I_i &= -I_c \sin \left(\frac{\pi \Phi_i}{\Phi_0} \right) \cos \varphi_i.\end{aligned}\quad (4)$$

Here $I_c = 2\pi E_J / \Phi_0$ is the critical current through the Josephson junctions of the charge qubits (we assume identical junctions for simplicity), while I_i is the circulating supercurrent in the SQUID loop of the i th charge qubit. Note that the coupling strength between nodes 1 and 3 (along a y -link), $\xi \propto (C_g + C_m)^2$, is affected by the mutual capacitance C_m that connects qubit 1 (3) with its nearest-neighbor along a z -link. Compared to the case of two qubits coupled by an LC oscillator,²⁸ where $\xi \propto C_g^2$, the capacitive inter-node coupling along the z -link in the present circuit greatly increases the inter-node coupling along the y -link because usually $C_m \gg C_g$. This is an important and positive consequence when multiple circuit elements are introduced to create different inter-node interactions.

At low temperatures, only the lowest-energy states of a superconducting circuit element are involved in the system dynamics, which is quantum mechanical. For the particular case of a charge qubit, where $E_c \gg E_J$, the lowest-energy eigenstates are mixtures of having zero and one Cooper pair in the box, when the gate voltage V_i is near the optimal point e/C_g (i.e., $n_{gi} \sim \frac{1}{2}$). Defining $|0\rangle_i$ and $|1\rangle_i$ as the two charge states having zero and one extra Cooper pair in the box, we now have a two-level system as a quantum bit, or qubit. In the spin- $\frac{1}{2}$ representation based on these charge states $|0\rangle_i \equiv |\uparrow\rangle_i$ and $|1\rangle_i \equiv |\downarrow\rangle_i$ (i is the index of the nodes), the system variables can be expressed as

$$\begin{aligned}n_i &= \frac{1}{2}(1 - \sigma_i^z), \\ \cos \varphi_i &= \frac{1}{2}\sigma_i^x, \\ \sin \varphi_i &= -\frac{1}{2}\sigma_i^y.\end{aligned}\quad (5)$$

Here we consider the simple case with $n_{gi} = n_g$ (i.e., all gate voltages on the different nodes are identical: $V_i = V_g$) and $\Phi_i = \Phi_e$ for all qubits. The low-energy Hamiltonian of the system is then reduced to

$$\begin{aligned}H &= J_x \sum_{x\text{-link}} \sigma_j^x \sigma_k^x + J_y \sum_{y\text{-link}} \sigma_j^y \sigma_k^y + J_z \sum_{z\text{-link}} \sigma_j^z \sigma_k^z \\ &+ \sum_i (h_z \sigma_i^z + h_x \sigma_i^x),\end{aligned}\quad (6)$$

where

$$\begin{aligned}J_x &= \frac{1}{4} M I_c^2 \sin^2 \left(\frac{\pi \Phi_e}{\Phi_0} \right) \geq 0, \\ J_y &= -\xi [E_J(\Phi_e)]^2 \leq 0, \\ J_z &= \frac{1}{4} E_m > 0, \\ h_z &= \left(E_c + \frac{1}{2} E_m \right) \left(n_g - \frac{1}{2} \right), \\ h_x &= -\frac{1}{2} E_J(\Phi_e),\end{aligned}\quad (7)$$

with $E_J(\Phi_e) = 2E_J \cos(\pi \Phi_e / \Phi_0)$. The reduced Hamiltonian (6) is the Kitaev model with an effective magnetic field with z - and x -components. Here h_x and h_z play the role of a ‘‘magnetic’’ field. Since $J_y \propto h_x^2$, to maintain finite inter-qubit couplings, h_x cannot vanish. Therefore our Hamiltonian represents a Kitaev model in an always-finite magnetic field, although the field direction can be adjusted. This Hamiltonian has an extremely complex quantum phase diagram because of all the (experimentally) adjustable parameters. Here we are particularly interested in whether it has topologically-interesting phases and when such topological properties might emerge.

III. VORTEX AND BOND-STATE EXCITATIONS

Below we focus on two particular parameter regimes of the finite-field Kitaev model of (6), under the general condition that the z -bond interaction dominates over the other interactions. In particular, when $J_z \gg J_x, |J_y| \gg |h_z|, |h_x|$, we identify a vortex state excitation. This case is described in Section A below. When $h_z = 0$ but h_x is of the same order as J_x and J_y , we identify a new excitation that we call the bond state. We describe this case in Sec. III.B. The vortex state is a known topological excitation in the zero-field Kitaev model, while the bond state is specific to the finite-field Kitaev model.

A. Kitaev lattice with dominant z -bonds in a weak ‘‘magnetic’’ field

We first consider the case when

$$J_z \gg J_x, |J_y| \gg |h_z|, |h_x|, \quad (8)$$

and treat $V = \sum_i (h_z \sigma_i^z + h_x \sigma_i^x)$ as the perturbation. Using perturbation theory in the Green function formalism,⁹ one can construct an effective Hamiltonian for the lattice:

$$H' = -\frac{2h_z^2}{\Delta\varepsilon_z} \sum_{z\text{-link}} \sigma_j^z \sigma_k^z - \frac{2h_x^2}{\Delta\varepsilon_x} \sum_{x\text{-link}} \sigma_j^x \sigma_k^x, \quad (9)$$

where $\Delta\varepsilon_{z(x)}$ is the excitation energy of the state $\sigma_i^{z(x)} |g_0\rangle$, i.e., the energy difference between states

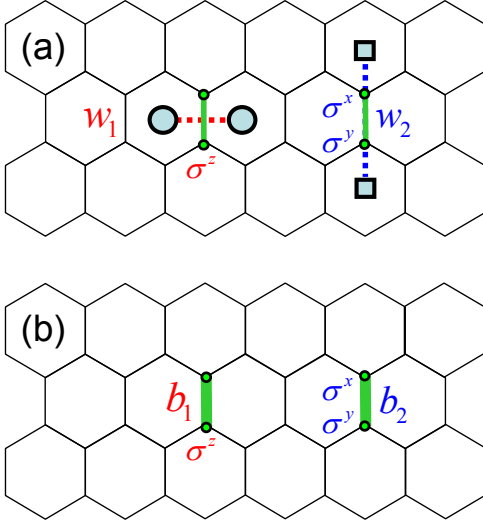


FIG. 2: (Color online) (a) Two types of vortex excitations w_1 and w_2 . A pair of vortices are generated along the horizontal direction for w_1 (vertical direction for w_2) by the spin-pair operator $\tilde{\sigma}^z \equiv \sigma^z I$ ($\tilde{\sigma}^y \equiv \sigma^y \sigma^x$) acting on a z -link. (b) Two bond-state excitations b_1 and b_2 , which are also generated by the spin-pair operators $\tilde{\sigma}^z$ and $\tilde{\sigma}^y$ on a z -link.

$\sigma_i^{z(x)}|g_0\rangle$ and $|g_0\rangle$. Here $|g_0\rangle$ is the ground state of the unperturbed Hamiltonian, i.e., Hamiltonian (6) with the perturbation term V excluded. Note that the effective Hamiltonian H' only contains contributions from the second-order terms because both the first- and third-order terms vanish. Including the zeroth-order term (unperturbed Hamiltonian), the total Hamiltonian of the system can be written as

$$H = J'_x \sum_{x\text{-link}} \sigma_j^x \sigma_k^x + J_y \sum_{y\text{-link}} \sigma_j^y \sigma_k^y + J'_z \sum_{z\text{-link}} \sigma_j^z \sigma_k^z, \quad (10)$$

where the effective z - and x -couplings are

$$\begin{aligned} J'_z &= J_z - \frac{2h_z^2}{\Delta\varepsilon_z}, \\ J'_x &= J_x - \frac{2h_x^2}{\Delta\varepsilon_x}. \end{aligned} \quad (11)$$

Below we focus on the Abelian excitations. When $J'_z \gg J'_x, |J_y|$, the dominant part of the Hamiltonian H is that along the vertical links,

$$H_0 = J'_z \sum_{z\text{-link}} \sigma_j^z \sigma_k^z. \quad (12)$$

Under H_0 , the two spins along each z -link tend to be aligned opposite to each other ($|\uparrow\downarrow\rangle$ or $|\downarrow\uparrow\rangle$) in order to lower their energies. Indeed, the highly degenerate ground state $|g\rangle$ of H_0 is an arbitrary vector in the Hilbert subspace spanned by $\bigotimes_{i=1}^N |\sigma\bar{\sigma}\rangle_i$, where N denotes the total number of z -links and $\sigma = \uparrow, \downarrow$. Within the ground-state subspace of H_0 and up to fourth order,⁹ the effective

Hamiltonian of the Kitaev lattice takes the form

$$H_{\text{eff}} = -J_{\text{eff}} \sum_p W_p, \quad (13)$$

where

$$\begin{aligned} J_{\text{eff}} &= \frac{J_x^2 J_y^2}{16J_z^3} \approx \frac{J_x^2 J_y^2}{16J_z^3}, \\ W_p &= \sigma_1^x \sigma_2^y \sigma_3^z \sigma_4^x \sigma_5^y \sigma_6^z. \end{aligned} \quad (14)$$

Here W_p is the plaquette operator for a given plaquette p [see Fig. 1(b)]. The operator W_p for any plaquette p commutes with the unperturbed Hamiltonian H_0 :

$$[H_0, W_p] = 0; \quad (15)$$

so that $[H_0, H_{\text{eff}}] = 0$ as well, and the ground states $|g\rangle_w$ of H_{eff} form a *subset* of the degenerate ground states $|g\rangle$ of H_0 . It is straightforward to show that $W_p^2|g\rangle = |g\rangle$, or $W_p|g\rangle = \pm|g\rangle$. Since $J_{\text{eff}} > 0$, to minimize the energy of $|g\rangle_w$, we need

$$W_p|g\rangle_w = |g\rangle_w. \quad (16)$$

In other words, the eigenvalues of the W_p operators in the ground state $|g\rangle_w$ are $w_p = 1$ for all plaquettes p .

When some plaquettes undergo transformations that lead to $w_p = 1 \rightarrow -1$, the system gets into an excited state. The lowest-energy excitation corresponds to the generation of a pair of vortices when $w_p = 1 \rightarrow -1$ for two neighboring plaquettes. In this excitation process, each of the two neighboring plaquettes acquires a phase π , which is equivalent to the addition of a flux quantum Φ_0 through each plaquette. As shown in Fig. 2(a), such an excitation can be generated by applying either of the following two spin-pair operators on the ground state $|g\rangle_w$:

$$|\tilde{Z}_i\rangle = \tilde{\sigma}_i^z |g\rangle_w, \quad |\tilde{Y}_i\rangle = \tilde{\sigma}_i^y |g\rangle_w, \quad (17)$$

with

$$\tilde{\sigma}_i^z \equiv \sigma_i^z I_i, \quad \tilde{\sigma}_i^y \equiv \sigma_i^y \sigma_i^x. \quad (18)$$

Here the two operators σ_i^z (σ_i^y) and I_i (σ_i^x) act on the ground state $|g\rangle_w$ at the bottom and top sites of the i th z -link, respectively. This pair of vortices, generated by either $\tilde{\sigma}_i^z$ or $\tilde{\sigma}_i^y$, are topological states with an excitation energy of

$$\Delta\varepsilon = 4J_{\text{eff}} \quad (19)$$

above the ground state. As shown in Refs. 9 and 16, these excitations exhibit the braiding statistics of Abelian anyons. The ratio between this excitation gap for the anyons and J_z is

$$\frac{\Delta\varepsilon}{J_z} \sim \left(\frac{J_x J_y}{J_z^2} \right)^2 \ll 1. \quad (20)$$

For example, if $J_z \sim 10\text{GHz}$ and both J_x and J_y are one tenth of J_z , this gap would be about 1 MHz, corresponding to a temperature of 0.1 mK. This small gap requires an extremely low experimental temperature for suppressing the thermal activation of the ground state to the vortex states. Note that a different perturbative approach³⁰ shows that in the parameter region $J'_z \geq J'_x, |J_y|$, the spin-pair operators $\tilde{\sigma}_i^z$ and $\tilde{\sigma}_i^y$ generally create both vortex and fermionic excitations. However, in the limit of $J'_z \gg J'_x, |J_y|$, the dominant excitations are vortex states,³⁰ which is consistent with the conclusion drawn above.

B. Kitaev lattice with dominant z -bonds in a uniform “magnetic” field along the x -direction

If we stay in the regime where the z -bond couplings are dominant ($J_z \gg J_x, |J_y|$), but place each charge qubit at the optimal point where $n_g = \frac{1}{2}$, so that $h_z = 0$, a different quantum phase arises when $|h_x|$ is comparable to $J_x, |J_y|$. In other words, we now consider the regime

$$J_z \gg J_x, |J_y|, |h_x|, \quad \text{and } h_z = 0. \quad (21)$$

Here the zeroth-order Hamiltonian is again the coupling along the z -bonds: $H_0 = J_z \sum_{z\text{-link}} \sigma_j^z \sigma_k^z$ (notice that here the coupling strength is J_z , not J'_z), with the same highly degenerate ground state $|g\rangle$ as discussed in the previous subsection. To clarify the low-energy excitation spectrum in this regime, we again use perturbation theory in the Green’s function formalism to remove the linear terms and derive an effective Hamiltonian in the ground state sub-Hilbert space of H_0 . Up to second-order, the effective Hamiltonian takes the form

$$H_{\text{eff}}^{(z)} = -K_{\text{eff}} \sum_{z\text{-link}} \sigma_j^x \sigma_k^x, \quad (22)$$

where

$$K_{\text{eff}} = \frac{h_x^2}{J_z}. \quad (23)$$

The spin pair operator $P_z = \sigma_j^x \sigma_k^x$ at a z -bond (again the two Pauli operators act on the bottom and top nodes of the particular z -bond) commutes with the zeroth-order Hamiltonian $[P_z, H_0] = 0$ (although it anti-commutes with the four plaquette operators W_p connected to this z -bond). Similar to W_p , the pair operator P_z also has two eigenvalues $p_z = \pm 1$. Thus the ground state $|g\rangle_b$ of $H_{\text{eff}}^{(z)}$ should satisfy $p_z = 1$ for all the z -bonds in the system. In other words,

$$P_z |g\rangle_b = |g\rangle_b, \quad (24)$$

for all z -bonds. Since no two z -bonds share a node in the honeycomb lattice, and the lattice is completely covered

by all the z -bonds, we can solve the eigenstates of P_z of each z -bond and obtain the ground state of $H_{\text{eff}}^{(z)}$ as

$$|g\rangle_b = \frac{1}{2^{N/2}} \bigotimes_{i=1}^N (|\uparrow\downarrow\rangle_i + |\downarrow\uparrow\rangle_i). \quad (25)$$

This is a nondegenerate ground state, which forms a simple subset of the highly degenerate ground states $|g\rangle$ of H_0 . It is maximally entangled within each z -bond, but not entangled at all between different z -bonds. In other words, the two-spin correlation function decays to identically zero beyond a z -bond. The lattice is now an ensemble of maximally entangled “spin” pairs that are completely independent from each other. This ground state is reminiscent of (and simpler than) the dimerized valence bond solid state discussed in the context of spin Hamiltonians.^{31,32} There valence bond states refer to a singlet $|\uparrow\downarrow - \downarrow\uparrow\rangle$ for the electron spins, which is dictated by the Coulomb interaction and Pauli principle between electrons.

When the pair operators $\tilde{\sigma}_i^z$ and $\tilde{\sigma}_i^y$ are separately applied to the ground state at the i th z -bond [see Fig. 2(b)], the excited states

$$|\tilde{Z}_i\rangle = \tilde{\sigma}_i^z |g\rangle_b, \quad |\tilde{Y}_i\rangle = \tilde{\sigma}_i^y |g\rangle_b \quad (26)$$

are called a bond state—while the pair operators are different, the states they generate are only different by an overall phase because $|g\rangle_b$ is a factored state for all z -bonds. A bond state at the i th z -bond corresponds to the change of $p_z = 1 \rightarrow -1$ at that particular bond. It is $2K_{\text{eff}}$ above the ground state in energy. Notice that a bond state is an excitation that is completely localized to a particular z -bond. Furthermore, bond states are generated by the same pair operators that generate the vortex excitations, although the ground states of the system are different in these two cases. In contrast to $|g\rangle_w$, the ground state $|g\rangle_b$ is *nondegenerate*, and the bond state excitations are very different from the vortex states. This transition from vortex excitations to bond states occurs when we vary the parameters of the system (i.e., tuning n_g to 1/2 and reduce Φ_e from close to $\Phi_0/2$ so that h_x increases to the same magnitude as J_x and/or J_y), during which the topological property of the system changes.

IV. THE BRAIDING OF EXCITATIONS

A vortex looping around another vortex can produce either a sign change or *no* sign change to the wave function. The first case is denoted as an e -type vortex looping around an m -type vortex, and the second case corresponds to an e -type vortex looping around an e -type vortex (see, e.g., Ref. 16 for a more detailed discussion). This indicates anyonic statistics between the e and m vortex states. Therefore, braiding, which refers to moving one quasi-particle around another, is an important tool to determine the statistics of the quasi-particles (in

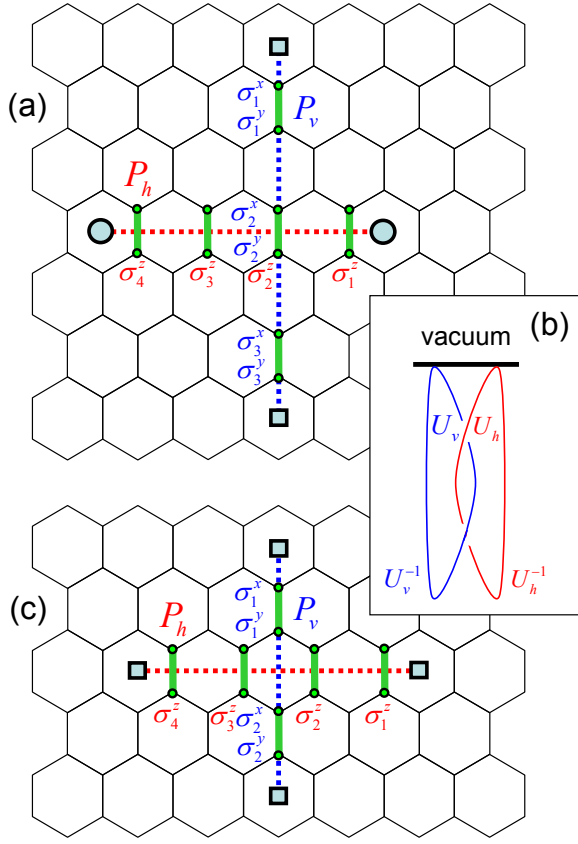


FIG. 3: (Color online) Schematic diagram of the procedures for braiding excitations. (a) The operations U_h and U_v for creating excitations, which are achieved by successively applying spin-pair operators at z -bonds along the horizontal (P_h) and vertical (P_v) paths. Here the paths P_v and P_h intersect at a z -bond. (b) A combined operation $U_h^{-1}U_v^{-1}U_hU_v$ for both, braiding the excitations created in (a), and fusing them to the vacuum. (c) The operations U_h and U_v for creating excitations, which are also achieved by successively applying spin-pair operators at z -bonds along P_h and P_v , but the paths P_v and P_h do not intersect at a z -bond.

the present case the vortices). Here we show an alternative procedure for braiding an excitation with another, which can be applied to both vortex and bond states.

Let us consider two particular evolutions for the system. The first evolution U_v contains spin-pair operations $\tilde{\sigma}_i^y = \sigma_i^y \sigma_i^x$ applied to the ground state $|\tilde{g}\rangle$ at three successive z -bonds along the vertical path P_v , as shown in Fig. 3(a). Here $|\tilde{g}\rangle \equiv |g\rangle_w$ for the vortex case and $|\tilde{g}\rangle \equiv |g\rangle_b$ for the bond-state case. The second evolution U_h contains spin-pair operations $\tilde{\sigma}_i^z = \sigma_i^z I_i$ applied at four successive z -bonds along the horizontal path P_h as shown in Fig. 3(a). After these two operations in series, the state of the system is $U_h U_v |\tilde{g}\rangle$, where

$$U_h = \tilde{\sigma}_4^z \tilde{\sigma}_3^z \tilde{\sigma}_2^z \tilde{\sigma}_1^z, \quad U_v = \tilde{\sigma}_3^y \tilde{\sigma}_2^y \tilde{\sigma}_1^y. \quad (27)$$

Now we turn the evolutions backward by applying U_v^{-1} and U_h^{-1} to the system successively, so as to fuse^{1,9} the

excitations to the vacuum (i.e., the ground state) [see Fig. 3(b)]. The final state of the system is now

$$|\Psi_f\rangle = U_h^{-1} U_v^{-1} U_h U_v |\tilde{g}\rangle. \quad (28)$$

When the paths P_v and P_h intersect at a z -bond, such as in the example given in Fig. 3(a), where $\tilde{\sigma}_2^y$ and $\tilde{\sigma}_2^z$ anti-commute, U_h and U_v anti-commute as well: $U_h U_v = -U_v U_h$. The final state thus becomes

$$|\Psi_f\rangle = -|\tilde{g}\rangle. \quad (29)$$

In other words, a phase flip $e^{i\pi}$ resulted from the evolutions. For vortex excitations, this is equivalent to the case of an e -type vortex looping around an m -type vortex, as shown in Ref. 16. In contrast, when similar operations are applied but the paths P_v and P_h do not intersect at a z -bond [see Fig. 3(c), for example], $U_h U_v = U_v U_h$, so that

$$|\Psi_f\rangle = |\tilde{g}\rangle, \quad (30)$$

yielding no phase flip in the final state as compared to the initial state. For vortex excitations, this is equivalent to the case of an e -type vortex looping around another e -type vortex.

The braiding of excitations, i.e. whether there is or there is no phase flip, can be revealed by means of Ramsey-type interference.^{16,33} To achieve this, one can keep the same U_v as above, but use

$$U_h = (\tilde{\sigma}_4^z)^{\frac{1}{2}} (\tilde{\sigma}_3^z)^{\frac{1}{2}} (\tilde{\sigma}_2^z)^{\frac{1}{2}} (\tilde{\sigma}_1^z)^{\frac{1}{2}}, \quad (31)$$

where

$$(\tilde{\sigma}_i^z)^{\frac{1}{2}} \equiv (\sigma_i^z)^{\frac{1}{2}} I_i, \quad (32)$$

i.e., each σ_i^z is replaced by half of the rotation. In the braiding case shown in Fig. 3(a),

$$\tilde{\sigma}_2^y (\tilde{\sigma}_2^z)^{\frac{1}{2}} = i (\tilde{\sigma}_2^z)^{-\frac{1}{2}} \tilde{\sigma}_2^y \quad (33)$$

at the crossing point of paths P_h and P_v . Thus,

$$\begin{aligned} |\Psi_f\rangle &= U_h^{-1} U_v^{-1} U_h U_v |\tilde{g}\rangle = (\tilde{\sigma}_2^z)^{-\frac{1}{2}} [i (\tilde{\sigma}_2^z)^{-\frac{1}{2}}] |\tilde{g}\rangle \\ &= i (\tilde{\sigma}_2^z)^{-1} |\tilde{g}\rangle = i \tilde{\sigma}_2^z |\tilde{g}\rangle = i |\tilde{Z}_2\rangle, \end{aligned} \quad (34)$$

similar to the case with an e vortex braiding with a superposition state of an m vortex and the vacuum.¹⁶ However, in the case without braiding [see Fig. 3(c)],

$$|\Psi_f\rangle = U_h^{-1} U_v^{-1} U_h U_v |\tilde{g}\rangle = |\tilde{g}\rangle. \quad (35)$$

Therefore, the braiding of excitations can be distinguished by verifying if an excited state $|\tilde{Z}_2\rangle$ occurs at the crossing point of paths P_h and P_v .

While the vortex state described by Eq. (13) and the bond state described by Eq. (22) are very different excitations, they have similar braiding properties. In the braiding procedure shown above, the system is initially

in the vacuum (either $|g\rangle_w$ or $|g\rangle_b$); after the braiding operations in Eq. (28), the system is fused to the vacuum again, but with a sign change to the ground-state wave function no matter which ground state the system starts with. In order to distinguish the difference between the vortex and bond-state excitations, one needs to focus on the intermediate steps of the braiding operations. Take U_v in Eq. (27) as an example. When it is applied to $|g\rangle_w$, the spin-pair operator $\tilde{\sigma}_1^y$ in it first creates a pair of e vortices, and then the other spin-pair operations $\tilde{\sigma}_2^y$ and $\tilde{\sigma}_3^y$ successively move one vortex downward along the vertical path P_v . The final state $U_v|g\rangle_w$ is also a pair of vortices, but the two vortices are separated by three z -bonds in the vertical direction [see Fig. 3(a)]. Importantly, this pair of vortices $U_v|g\rangle_w$ is *degenerate* with the pair of vortices $\tilde{\sigma}_1^y|g\rangle_w$. However, in sharp contrast to the vortex case, when U_v in Eq. (27) is applied to $|g\rangle_b$, each of the spin-pair operations $\tilde{\sigma}_i^y$, $i = 1, 2, 3$ creates a bond state and the final state $U_v|g\rangle_b$ is *nondegenerate* with the bond state $\tilde{\sigma}_1^y|g\rangle_b$.

V. IMPLEMENTATION OF QUANTUM ROTATIONS

As indicated in previous sections, single-qubit rotations are needed to create vortex and bond-state excitations, and to perform braiding operations. Below we show that these quantum rotations of individual qubits in the honeycomb lattice can be achieved via electrical and magnetic controls. The key is to reduce the coupling between a specific qubit and its neighboring qubits to such a degree that its single-qubit dynamics dominates for a period of time.

To generate a σ_z rotation at a particular charge qubit, we consider the following approach by controlling both the magnetic flux through SQUID loops and the local electric field. Specifically, when the magnetic flux in the SQUID loop of each charge qubit is set to $\Phi_e = \Phi_0/2$, $h_x = 0$ and $J_y = 0$, so that the honeycomb lattice is now decoupled into a series of one-dimensional chains. For a charge qubit $E_c \gg E_J(\Phi_e)$, thus $E_c \gg J_x$. We further assume that $E_c \gg E_m$, so that $E_c \gg J_z$ as well. One can now shift the gate voltage for a period of time τ at the i th lattice point far away from the usual working point $n_g \sim \frac{1}{2}$ of the Kitaev lattice, so that the corresponding single-qubit energy $\delta h_z \sim E_c$ (instead of $\sim E_J$) is much larger than both J_z and J_x . Such a parameter regime should be reasonably easy to achieve for a charge qubit. This operation of shifting n_g should yield a local z -type rotation on the i th qubit:

$$R_i^z(\theta) = \exp[-i(\delta h_z \tau / \hbar) \sigma_i^z] \equiv \exp(-i\theta \sigma_i^z / 2), \quad (36)$$

where

$$\delta h_z = h_z(n_{gi}) - h_z(n_g). \quad (37)$$

When $\theta \equiv 2\delta h_z \tau / \hbar = \pi$ (where $n_{gi} > n_g$), $R_i^z(\pi) =$

$-\sigma_i^z$, so the σ_i^z operation on the i th qubit is given by

$$\sigma_i^z = e^{i\pi/2} R_i^z(\pi), \quad (38)$$

while half of the rotation is

$$(\sigma_i^z)^{\frac{1}{2}} = e^{i\pi/4} R_i^z(\pi/2). \quad (39)$$

The corresponding inverse rotations can be achieved by shifting the gate voltage to $n_{gi} < n_g$.

A σ_x rotation of a particular charge qubit can be generated by a similar approach. Specifically, when $n_g = \frac{1}{2}$ and $\Phi_e = 0$, one has $h_z = 0$, $h_x = -E_J$, and $J_x = 0$. Again the honeycomb lattice is separated into a series of one-dimensional chains. Here we assume that $E_J \gg |J_y|, J_z$, achievable in this charge-qubit system, which allows us to perform a single-qubit rotation driven by E_J . When $n_g = \frac{1}{2}$, for a time τ we switch off the flux in the SQUID loop of the i th qubit (the working point of this Kitaev lattice is usually at $0 < \Phi_e < \Phi_0/2$), producing a local x -type rotation on the i th qubit:

$$R_i^x(\theta) = \exp[i(\delta E_J \tau / \hbar) \sigma_i^x] \equiv \exp(i\theta \sigma_i^x / 2), \quad (40)$$

where

$$\delta E_J = E_J - \frac{1}{2} E_J(\Phi_e). \quad (41)$$

The σ_i^x rotation on the i th qubit is

$$\sigma_i^x = e^{-i\pi/2} R_i^x(\pi), \quad (42)$$

where $2\delta E_J \tau / \hbar = \pi$. Note that when the flux in the SQUID loop of the i th qubit is switched off to produce a local x -rotation, the flux in the SQUID loop of the nearest-neighbor qubit that is connected to the i th qubit via an LC oscillator should be simultaneously shifted to a value around $\Phi_0/2$, so as to keep $|J_y|$ between these two qubits much smaller than E_J .

With both σ_i^z and σ_i^x rotations available for the i th qubit, the σ_i^y rotation is given by

$$\sigma_i^y = e^{-i\pi/2} \sigma_i^z \sigma_i^x. \quad (43)$$

Therefore, one can construct all the wanted operations $\tilde{\sigma}_i^z$ and $\tilde{\sigma}_i^y$ for generating both vortex and bond-state excitations by using the single-qubit rotations σ_i^z and σ_i^x .

In order to obtain accurate z - and x -type single-qubit rotations, we assume that E_c and E_J are much larger than the inter-qubit coupling. Actually this somewhat stringent condition can be loosened for realistic systems. As shown in Ref. 34, accurate effective single-qubit rotations can still be achieved using techniques from nuclear magnetic resonance when the inter-qubit coupling is small compared to single-qubit parameters (instead of much smaller than E_c and E_J).

VI. DISCUSSION AND CONCLUSION

In this paper, our main objective is to construct an experimentally feasible proposal to emulate the Kitaev model on a network made of superconducting nanocircuits. To focus on the topological properties of the system, we choose the limit of identical qubits and identical coupling strength. Furthermore, we fix the mutual inductances and the capacitances of the various circuit elements involved. There are basically two tunable parameters: the gate voltage on the Cooper pair boxes (n_g) for each charge qubit, and the magnetic flux Φ_e through the SQUID loops connected to the Cooper pair boxes. Within the regime where z -bonds dominate in interaction energy scale (J_z much larger than all other couplings, including J_x , J_y , h_x , and h_z), we have explored two limiting cases: one with weak effective magnetic fields ($|h_x|, |h_z| \ll J_x, |J_y|$), the other with the effective field only along the x -direction. We have identified some properties of the relevant ground states, and the low-energy excitations, the vortex and bond states. However, much more study is needed to completely clarify the energy spectrum, the phase diagram, and the dynamics of this superconducting network.

One observation we have made is that the vortex excitations and bond-state excitations can be generated using the same spin-pair operations, starting from different ground states ($|g\rangle_w$ and $|g\rangle_b$) that depend on the system parameters. We have also shown that while $|g\rangle_w$ is highly entangled, $|g\rangle_b$ is only entangled locally but not globally. This quantum phase transition requires more extensive studies to identify the critical point and related critical phenomena, such as how system entanglement changes near the transition point, and most importantly how its topological properties change. It would also be worthwhile to investigate the system spectrum (from vortex excitation to bond state excitation) and dynamics during this transition, similar to our study of quantum phase transitions between Abelian and non-Abelian phases of the Kitaev model.³⁵ While such studies are generally numerically intensive, it would help reveal the exotic topological properties of this many-body model.

With the elementary building blocks given in Fig. 1(a), one can construct Kitaev spin models on *other* types of lattices as well (see, e.g., Refs. 36 and 37). In particular, it has been shown that in the absence of a magnetic field, the Kitaev model on a decorated honeycomb lattice³⁶ can support gapped non-Abelian anyons. The quantum analog simulation of Kitaev models on different lattices using superconducting circuits should shed light on the novel properties of these topological systems.

There are two important open issues in the study of building a superconducting qubit network to emulate a spin lattice. One is the role played by the decoherence of individual qubits, and the other is the measurement of correlated states on a qubit network. It is well known that charge qubits suffer from fast decoherence. However, it is not clear how decoherence would affect

the topological excitations. Indeed, the faster decoherence of charge qubits may allow the system to reach its ground state faster. Furthermore, topological excitations are supposed to be robust against local fluctuations, so that decoherence in individual nodes may not easily destroy excitations such as the vortex state. Quantum measurement is another open issue in the study of collective states, whether ground states or low-energy excitations, of a qubit lattice. While single-qubit measurement of superconducting qubits can now be done with quite high fidelity,^{38,39} and two-qubit correlation measurements have been done,⁴⁰ measuring multi-qubit correlations requires further theoretical and experimental studies. We hope that our proposal acts as another incentive for researchers in the field of superconducting qubits to look for ways to perform measurements that can reveal quantum correlations.

In conclusion, we have proposed an approach to emulate the Kitaev model on a honeycomb lattice using superconducting quantum circuits, and shown that the low-energy dynamics of the superconducting network should follow a finite-field Kitaev model Hamiltonian. We analytically study two particular limits for system parameters, explore their ground state characteristics, and identify their low-energy excitations as vortex states and bond states. We further show that both vortex- and bond-state excitations can be generated using the same spin-pair operations, starting from different ground states. Our proposal points to an experimentally realizable many-body system for the quantum emulation of the Kitaev honeycomb spin model.

Acknowledgments

We thank J. Vidal and Yong-Shi Wu for useful discussions. J.Q.Y. and X.F.S. were supported by the National Basic Research Program of China Grant Nos. 2009CB929300 and 2006CB921205, and the National Natural Science Foundation of China Grant Nos. 10625416 and 10534060. X.H. and F.N. acknowledge support by the National Security Agency and the Laboratory for Physical Sciences through the US Army Research Office, X.H. acknowledges support and hospitality by the Kavli Institute of Theoretical Physics at the University of California at Santa Barbara, and F.N. thanks support by the National Science Foundation Grant No. 0726909.

APPENDIX A: DERIVATION OF THE HAMILTONIAN

Below we derive the Hamiltonian of the honeycomb lattice constructed with superconducting quantum circuits as described in Fig. 1. For simplicity all charge qubits have the same parameters. Furthermore, the mutual inductances M , the LC oscillators, and the mutual capacitances C_m for the x -, y -, and z -couplings are also

identical, respectively. Since the self inductance of the SQUID loop in each charge qubit is small, the voltage drop across this loop inductance can be ignored as compared with the voltage drops across the Josephson junctions in the loop. Also, we assume that the capacitance of the LC oscillator is much larger than the gate capacitance and the mutual capacitance, i.e., $C \gg C_g, C_m$. The total electrical energy of the qubit lattice can be written as (the 1-2 and 1-3 couplings are magnetic and will be discussed later)

$$T = \sum_{z\text{-link}} T_{14}, \quad (\text{A1})$$

where the summation is over all the z -links. the term T_{14} contains the charging energies of the nodes on either end of a z -link in the building block, together with the coupling across the link. It is given by

$$T_{14} = \sum_{i=1,4} \frac{1}{2} C_\Sigma \left(\frac{\Phi_0}{2\pi} \right)^2 \left[\dot{\varphi}_i^2 + 2 \left(\frac{2\pi}{\Phi_0} \right) \frac{\dot{a}_i + C_g V_{gi}}{C_\Sigma} \dot{\varphi}_i \right] - C_m \left(\frac{\Phi_0}{2\pi} \right)^2 \dot{\varphi}_1 \dot{\varphi}_4 + \frac{1}{2} C \dot{\Phi}_L^2, \quad (\text{A2})$$

where

$$\begin{aligned} \dot{a}_1 &= (C_g + C_m) \dot{\Phi}_L - C_m \dot{\Phi}_{L'}, \\ \dot{a}_4 &= (C_g + C_m) \dot{\Phi}_{L'} - C_m \dot{\Phi}_L, \end{aligned} \quad (\text{A3})$$

and $C_\Sigma = 2C_J + C_g + C_m$. Here $(\Phi_0/2\pi)\dot{\varphi}_i \equiv V_{Ji}$ is the average voltage drop across the two Josephson junctions of the i th charge qubit, and $\dot{\Phi}_L \equiv V_L$ ($\dot{\Phi}_{L'} \equiv V_{L'}$) is the voltage drop across the LC oscillator connected to qubit 1 (4).

The Langrangian of the qubit lattice is

$$\mathcal{L} = T - U, \quad (\text{A4})$$

where U is the total potential energy of the system, including Josephson coupling energy and magnetic energy in all the inductors in the network. To derive the system Hamiltonian, we choose φ_i and Φ_L as the canonical coordinates. The corresponding canonical momenta are thus

$$\begin{aligned} p_i &= \frac{\partial L}{\partial \dot{\varphi}_i}, \\ p_L &= \frac{\partial L}{\partial \dot{\Phi}_L}. \end{aligned} \quad (\text{A5})$$

More explicitly,

$$\begin{aligned} p_1 &= C_\Sigma \left(\frac{\Phi_0}{2\pi} \right)^2 \dot{\varphi}_1 - C_m \left(\frac{\Phi_0}{2\pi} \right)^2 \dot{\varphi}_4 \\ &\quad + \left(\frac{\Phi_0}{2\pi} \right) (\dot{a}_1 + C_g V_{g1}), \\ p_4 &= C_\Sigma \left(\frac{\Phi_0}{2\pi} \right)^2 \dot{\varphi}_4 - C_m \left(\frac{\Phi_0}{2\pi} \right)^2 \dot{\varphi}_1 \\ &\quad + \left(\frac{\Phi_0}{2\pi} \right) (\dot{a}_4 + C_g V_{g4}), \\ p_L &= C \dot{\Phi}_L - C_m \left(\frac{\Phi_0}{2\pi} \right) (\dot{\varphi}_4 + \dot{\varphi}_5) \\ &\quad + (C_g + C_m) \left(\frac{\Phi_0}{2\pi} \right) (\dot{\varphi}_1 + \dot{\varphi}_2), \end{aligned} \quad (\text{A6})$$

where the subscript 5 denotes the qubit which is connected to qubit 2 via the mutual capacitance C_m . In the limit of $C \gg C_g, C_m$, $p_L \approx C \dot{\Phi}_L$. Thus one has

$$\begin{aligned} \dot{\varphi}_1 &= \frac{C_\Sigma X_1 + C_m X_4}{(\Phi_0/2\pi)^2 \Lambda}, \\ \dot{\varphi}_4 &= \frac{C_m X_1 + C_\Sigma X_4}{(\Phi_0/2\pi)^2 \Lambda}, \\ \dot{\Phi}_L &= \frac{p_L}{C}, \end{aligned} \quad (\text{A7})$$

with $\Lambda = C_\Sigma^2 - C_m^2$, and

$$\begin{aligned} X_1 &= p_1 - \left(\frac{\Phi_0}{2\pi} \right) (\dot{a}_1 + C_g V_{g1}), \\ X_4 &= p_4 - \left(\frac{\Phi_0}{2\pi} \right) (\dot{a}_4 + C_g V_{g4}). \end{aligned} \quad (\text{A8})$$

The Hamiltonian of the honeycomb lattice is thus

$$\begin{aligned} H &= \sum_{z\text{-link}} (p_1 \dot{\varphi}_1 + p_4 \dot{\varphi}_4 + p_L \dot{\Phi}_L) - \mathcal{L} \\ &= \sum_{z\text{-link}} \mathcal{T}_{14} + U, \end{aligned} \quad (\text{A9})$$

where

$$\mathcal{T}_{14} = \frac{C_\Sigma X_1^2}{2 \left(\frac{\Phi_0}{2\pi} \right)^2 \Lambda} + \frac{C_\Sigma X_4^2}{2 \left(\frac{\Phi_0}{2\pi} \right)^2 \Lambda} + \frac{C_m X_1 X_4}{\left(\frac{\Phi_0}{2\pi} \right)^2 \Lambda} + \frac{p_L^2}{2C}. \quad (\text{A10})$$

We now perform two gauge transformations, so that p_1 and p_4 become:

$$\begin{aligned} p_1 - \left(\frac{\Phi_0}{2\pi} \right) \dot{a}_1 &= \tilde{p}_1, \\ p_4 - \left(\frac{\Phi_0}{2\pi} \right) \dot{a}_4 &= \tilde{p}_4. \end{aligned} \quad (\text{A11})$$

After these gauge transformations, $\dot{\varphi}_1$ and $\dot{\varphi}_4$ become

$$\begin{aligned} \dot{\varphi}_1 - \frac{C_\Sigma}{\Lambda} \left(\frac{2\pi}{\Phi_0} \right) \dot{a}_1 &= \tilde{\dot{\varphi}}_1, \\ \dot{\varphi}_4 - \frac{C_\Sigma}{\Lambda} \left(\frac{2\pi}{\Phi_0} \right) \dot{a}_4 &= \tilde{\dot{\varphi}}_4, \end{aligned} \quad (\text{A12})$$

and \mathcal{T}_{14} can be expressed as

$$\begin{aligned} \mathcal{T}_{14} = & \frac{1}{2}C_\Sigma\mathcal{K}^2(\tilde{p}_1, V_{g1}) + \frac{1}{2}C_\Sigma\mathcal{K}^2(\tilde{p}_4, V_{g4}) \\ & + C_m\mathcal{K}(\tilde{p}_1, V_{g1})\mathcal{K}(\tilde{p}_4, V_{g4}) + \frac{p_L^2}{2C}, \end{aligned} \quad (\text{A13})$$

where

$$\mathcal{K}(\tilde{p}_i, V_{gi}) = \frac{\tilde{p}_i - (\frac{\Phi_0}{2\pi})C_g V_{gi}}{(\frac{\Phi_0}{2\pi})\Lambda^{1/2}}. \quad (\text{A14})$$

Based on these building blocks, instead of the z -links, the Hamiltonian of the qubit lattice can now be rewritten as

$$H = \sum_{\text{BB}} \mathcal{T}_{\text{BB}} + U. \quad (\text{A15})$$

Here the summation is over all the building blocks and \mathcal{T}_{BB} , for a building block shown in Fig. 1(a), is given by

$$\begin{aligned} \mathcal{T}_{\text{BB}} = & \frac{1}{2}C_\Sigma\mathcal{K}^2(\tilde{p}_1, V_{g1}) + \frac{1}{6}C_\Sigma\mathcal{K}^2(\tilde{p}_2, V_{g2}) \\ & + \frac{1}{6}C_\Sigma\mathcal{K}^2(\tilde{p}_3, V_{g3}) + \frac{1}{6}C_\Sigma\mathcal{K}^2(\tilde{p}_4, V_{g4}) \\ & + C_m\mathcal{K}(\tilde{p}_1, V_{g1})\mathcal{K}(\tilde{p}_4, V_{g4}) + \frac{p_L^2}{2C}, \end{aligned} \quad (\text{A16})$$

where the prefactor $\frac{1}{6}$ in the second, third and fourth terms (instead of $\frac{1}{2}$ as in the first term) is due to the lattice geometry that each of the qubits 2-4 is shared by three building blocks.

The potential energy of the system consists of the Josephson energy $-E_{Ji}(\Phi_{iL})\cos\varphi_i$ of each qubit, the magnetic energy $\Phi_L^2/2L$ of each LC oscillator, the self-inductance energy $\frac{1}{2}L_q I_i^2$ of each qubit, and the mutual-inductance energy $-MI_i I_j$ between every pair of nearest-neighbor qubits coupled via M . In particular, the Josephson coupling energy is

$$E_{Ji}(\Phi_{iL}) = 2E_J \cos\left(\frac{\pi\Phi_{iL}}{\Phi_0}\right). \quad (\text{A17})$$

The supercurrent in the SQUID loop of the i th qubit is

$$I_i = -I_c \sin\left(\frac{\pi\Phi_{iL}}{\Phi_0}\right) \cos\varphi_i. \quad (\text{A18})$$

Here $I_c = 2\pi E_J/\Phi_0$ is the critical current of the Josephson junction, $\Phi_0 = h/2e$ is the flux quantum, L_q is the SQUID loop inductance of each qubit, and the total magnetic flux Φ_{iL} in the loop of qubit i is given by

$$\Phi_{iL} = \Phi_i + L_q I_i - MI_j, \quad (\text{A19})$$

with Φ_i the externally applied magnetic flux in the loop of qubit i and I_j is the supercurrent in the loop of qubit j that is coupled to qubit i via M . Based on the building blocks, the potential energy U can be written as

$$U = \sum_{\text{BB}} U_{\text{BB}}, \quad (\text{A20})$$

with

$$\begin{aligned} U_{\text{BB}} = & -E_{J1}(\Phi_{1L})\cos\varphi_1 - \frac{1}{3}E_{J2}(\Phi_{2L})\cos\varphi_2 \\ & - \frac{1}{3}E_{J3}(\Phi_{3L})\cos\varphi_3 - \frac{1}{3}E_{J4}(\Phi_{4L})\cos\varphi_4 \\ & + \frac{\Phi_L^2}{2L} + \frac{1}{2}L_q I_1^2 + \frac{1}{6}L_q I_2^2 + \frac{1}{6}L_q I_3^2 \\ & + \frac{1}{6}L_q I_4^2 - MI_1 I_2, \end{aligned} \quad (\text{A21})$$

where the prefactors $\frac{1}{3}$ and $\frac{1}{6}$ are again due to the lattice geometry that each of the qubits 2-4 is shared by three building blocks.

Usually, the self inductance L_q and the mutual inductance are much smaller than the Josephson inductance of each junction in the qubit loop. Thus, one can expand Eqs. (A17) and (A18) around $\pi\Phi_i/\Phi_0$ and keep the leading terms, as in Ref. 27. The potential energy is then reduced to

$$\begin{aligned} U_{\text{BB}} = & -E_{J1}(\Phi_1)\cos\varphi_1 - \frac{1}{3}E_{J2}(\Phi_2)\cos\varphi_2 \\ & - \frac{1}{3}E_{J3}(\Phi_3)\cos\varphi_3 - \frac{1}{3}E_{J4}(\Phi_4)\cos\varphi_4 \\ & + \frac{\Phi_L^2}{2L} + MI_1 I_2, \end{aligned} \quad (\text{A22})$$

where the supercurrents I_i are replaced by

$$I_i = -I_c \sin\left(\frac{\pi\Phi_i}{\Phi_0}\right) \cos\varphi_i. \quad (\text{A23})$$

In Eq. (A22), we have also omitted constant terms which are reduced to identity operators in the qubit subspace, because these terms only shift the zero energy of the system.

Using the gauge transformation

$$\varphi_i = \tilde{\varphi}_i + \frac{C_\Sigma}{\Lambda} \left(\frac{2\pi}{\Phi_0}\right) a_i, \quad (\text{A24})$$

when the fluctuations of a_i are weak so that²⁰

$$\frac{C_\Sigma}{\Lambda} \sqrt{\langle a^2 \rangle} \ll \Phi_0, \quad (\text{A25})$$

one has

$$\cos\varphi_i \approx \cos\tilde{\varphi}_i - \left[\frac{C_\Sigma}{\Lambda} \left(\frac{2\pi}{\Phi_0}\right) a_i\right] \sin\tilde{\varphi}_i. \quad (\text{A26})$$

The potential energy U_{BB} is given by

$$\begin{aligned} U_{\text{BB}} = & -E_{J1}(\Phi_1)\cos\tilde{\varphi}_1 - \frac{1}{3}E_{J2}(\Phi_2)\cos\tilde{\varphi}_2 \\ & - \frac{1}{3}E_{J3}(\Phi_3)\cos\tilde{\varphi}_3 - \frac{1}{3}E_{J4}(\Phi_4)\cos\tilde{\varphi}_4 \\ & + \frac{1}{2L} \left[\Phi_L + \left(\frac{2\pi L}{\Phi_0}\right) (Y_1 + Y_2) \right]^2 \\ & - \left(\frac{2\pi^2 L}{\Phi_0^2}\right) (Y_1 + Y_2)^2 + MI_1 I_2, \end{aligned} \quad (\text{A27})$$

with

$$Y_i = \frac{C_\Sigma(C_g + C_m)}{\Lambda} E_{J_i}(\Phi_i) \sin \tilde{\varphi}_i. \quad (\text{A28})$$

Here the terms modifying the Josephson coupling energy are ignored because they are much smaller than the Josephson coupling energy.

The term $p_L^2/2C$ in Eq. (A16) is the kinetic energy of the LC oscillator and the term $\frac{1}{2L} \left[\Phi_L + \left(\frac{2\pi L}{\Phi_0} \right) (Y_1 + Y_2) \right]^2$ in Eq. (A27) is the potential energy of the LC oscillator. When the frequency of the LC oscillator is much larger than the qubit frequency, the LC oscillator remains in the ground state, so that these terms can be removed from the Hamiltonian.²⁰ Thus, the Hamiltonian of the system can finally be written as

$$H = \sum_i H_i + \sum_{x\text{-link}} K_x(j, k) + \sum_{y\text{-link}} K_y(j, k) + \sum_{z\text{-link}} K_z(j, k). \quad (\text{A29})$$

Here

$$H_i = \frac{C_\Sigma}{2} \mathcal{K}^2(\tilde{p}_i, V_{g_i}) - E_{J_i}(\Phi_i) \cos \tilde{\varphi}_i, \quad (\text{A30})$$

with $\mathcal{K}(\tilde{p}_i, V_{g_i})$ given in Eq. (A14). For the building block shown in Fig. 1(a), the three nearest-neighbor couplings K_x , K_y and K_z are given by

$$\begin{aligned} K_x(1, 2) &= MI_1 I_2, \\ K_y(1, 3) &= -4\xi E_{J1}(\Phi_1) E_{J3}(\Phi_3) \sin \tilde{\varphi}_1 \sin \tilde{\varphi}_3, \\ K_y(1, 4) &= C_m \mathcal{K}(\tilde{p}_1, V_{g1}) \mathcal{K}(\tilde{p}_4, V_{g4}), \end{aligned} \quad (\text{A31})$$

where

$$\xi = L \left[\frac{\pi C_\Sigma(C_g + C_m)}{\Lambda \Phi_0} \right]^2. \quad (\text{A32})$$

In Eq. (A29), the terms with $\sin^2 \tilde{\varphi}_i$ are also removed because they are reduced to the identity operators in the qubit subspace. The canonical coordinates $\tilde{\varphi}_i$ and momenta \tilde{p}_i are conjugate variables, and they obey the commutation relation:

$$[\tilde{\varphi}_j, \tilde{p}_k] = i\hbar \delta_{jk}, \quad (\text{A33})$$

where $\tilde{p}_j = -i\hbar \partial / \partial \tilde{\varphi}_j$. Defining $\tilde{n}_i \equiv \tilde{p}_i / \hbar$, one obtains Eq. (1) by replacing \tilde{n}_i and $\tilde{\varphi}_i$ in Eq. (A29) with n_i and φ_i .

Below we give two examples of parameter regimes where the physics we discussed in this paper can be realized. For a quantum circuit with two charge qubits coupled by a mutual capacitance, the typical parameters are $C_J \approx 500$ aF, $C_m \approx 30$ aF, $C_g \approx 0.5$ aF, and $E_J \approx 15$ GHz (see, e.g., Ref. 22). Here we choose $C_m = 200$ aF so as to have a stronger capacitive coupling, $C_J \approx 400$ aF, and $C_g \approx 0.5$ aF. These parameters give $E_c \approx 80$ GHz and $J_z \approx 8$ GHz. We also choose $E_J = 20$ GHz and apply a magnetic flux Φ_e in each qubit loop such that $E_J(\Phi_e) \approx 4$ GHz. This gives $|h_x| \approx 2$ GHz. Because h_z can be independently controlled by the gate voltage, it is easy to obtain $|h_z| \approx |h_x|$. Finally, we choose $M \approx 6.6$ nH and the parameters of the LC oscillator are chosen as $L \approx 3.8$ μ H and $C = 4C_m = 800$ aF. We then have $J_x \approx |J_y| \approx 4$ GHz. The parameter regime given in Sec. III.A (i.e., $J_z \gg J_x, |J_y| \gg |h_z|, |h_x|$) can thus be approximately achieved. Also, J_z is much smaller than the frequency of the LC oscillator $\omega = 1/\sqrt{LC} \approx 20$ GHz, so that the lattice dynamics can be reasonably described by the Kitaev model in this regime. Note that $E_c \approx 80$ GHz and $E_J = 20$ GHz, which are much larger than J_z . Thus, the local quantum rotations σ_i^z and σ_i^x for generating topological excitations can also be achieved. Though E_c and E_J are much larger than or comparable to the frequency of the LC oscillator, the local quantum rotations are implemented by changing the external fields applied locally on the qubits involved. It is expected that the total Kitaev lattice will not be affected so much by these local operations because the topological properties should be robust against local fluctuations.

For the parameter regime of Sec. III.B, we choose $L \approx 2.5$ μ H, $M \approx 4.9$ nH, and $n_g = \frac{1}{2}$. The applied magnetic flux in each qubit loop is such that $E_J(\Phi_e) = 3$ GHz. Other system parameters are chosen to be the same as those in the case above. Thus, we have $J_z \approx 8$ GHz, $J_x \approx |J_y| \approx |h_x| \approx 3$ GHz, and $|h_z| = 0$. These parameters are much smaller than the frequency of the LC oscillator $\omega \approx 20$ GHz, allowing us to consider only the ground state of the oscillator. Thus the Kitaev lattice can also be realized in this regime. Moreover, because $E_c \approx 80$ GHz and $E_J = 20$ GHz, which are much larger than J_z , the local quantum rotations σ_i^z and σ_i^x at the i th site can be implemented.

With the parameters considered here, the vortex excitation energy would be of the order of 0.1 GHz or larger, corresponding to an experimental temperature of 10 mK or higher, already accessible by currently available dilution refrigerators.

¹ C. Nayak, S.H. Simon, A. Stern, M. Freedman, and S. Das Sarma, Rev. Mod. Phys. **80**, 1083 (2008), and references therein.

² C.L. Kane and E.J. Mele, Phys. Rev. Lett. **95**, 226801 (2005).

³ B.A. Bernevig, T.L. Hughes, and S.-C. Zhang, Science

- 314**, 1757 (2006).
- ⁴ X.-G. Wen, *Quantum Field Theory of Many-Body Systems* (Oxford University Press, New York, 2004).
 - ⁵ J.M. Leinaas and J. Myrheim, *Nuovo Cimento B* **37**, 1 (1977).
 - ⁶ F. Wilczek, *Phys. Rev. Lett.* **48**, 1144 (1982).
 - ⁷ *Fractional Statistics and Anyon Superconductivity, a monograph and reprint collection*, Ed. by F. Wilczek (World Scientific, Singapore, 1990).
 - ⁸ S. Das Sarma, M. Freedman, and C. Nayak, *Phys. Rev. Lett.* **94**, 166802 (2005).
 - ⁹ A. Kitaev, *Ann. Phys. (N.Y.)* **321**, 2 (2006).
 - ¹⁰ L.B. Ioffe *et al.*, *Nature* **415**, 503 (2002).
 - ¹¹ A.F. Albuquerque, H.G. Katzgraber, M. Troyer, and G. Blatter, *Phys. Rev. B* **78**, 014503 (2008).
 - ¹² Z.Y. Xue, S.L. Zhu, J.Q. You, and Z.D. Wang, *Phys. Rev. A* **79**, 040303(R) (2009)
 - ¹³ S. Gladchenko *et al.*, *Nature Phys.* **5**, 48 (2009).
 - ¹⁴ L.-M. Duan, E. Demler, and M.D. Lukin, *Phys. Rev. Lett.* **91**, 090402 (2003).
 - ¹⁵ A. Micheli, G.K. Brennen, and P. Zoller, *Nature Phys.* **2**, 341 (2006).
 - ¹⁶ C. Zhang, V.W. Scarola, S. Tewari, and S. Das Sarma, *Proc. Natl. Acad. Sci. U.S.A.* **104**, 18415 (2007).
 - ¹⁷ J.Q. You, X.-F. Shi, and F. Nori, arXiv:0809.0051v1.
 - ¹⁸ I. Buluta and F. Nori, *Science* **326**, 108 (2009).
 - ¹⁹ J.Q. You and F. Nori, *Phys. Today* **58**, No. 11, 42 (2005).
 - ²⁰ Y. Makhlin, G. Schön, and A. Shnirman, *Rev. Mod. Phys.* **73**, 357 (2001).
 - ²¹ G. Wendin and V.S. Shumeiko, *Low Temp. Phys.* **33**, 724 (2007).
 - ²² Yu. A. Pashkin *et al.*, *Nature (London)* **421**, 823 (2003).
 - ²³ T. Yamamoto *et al.*, *Phys. Rev. B* **77**, 064505 (2008).
 - ²⁴ J.Q. You, J.S. Tsai, and F. Nori, *Phys. Rev. B* **73**, 014510 (2006).
 - ²⁵ J.Q. You, X. Hu, S. Ashhab, and F. Nori, *Phys. Rev. B* **75**, 140515(R) (2007).
 - ²⁶ J. Koch *et al.*, *Phys. Rev. A* **76**, 042319 (2007).
 - ²⁷ J.Q. You, J.S. Tsai, and F. Nori, *Phys. Rev. Lett.* **89**, 197902 (2002).
 - ²⁸ Y. Makhlin, G. Schön, and A. Shnirman, *Nature* **398**, 305 (1999).
 - ²⁹ F. Marquardt and C. Bruder, *Phys. Rev. B* **63**, 054514 (2001).
 - ³⁰ S. Dusuel, K.P. Schmidt, and J. Vidal, *Phys. Rev. Lett.* **100**, 177204 (2008).
 - ³¹ I. Affleck, T. Kennedy, E.H. Lieb, and H. Tasaki, *Phys. Rev. Lett.* **59**, 799 (1987).
 - ³² C.K. Majumdar and D.K. Ghosh, *J. Math. Phys.* **10**, 1399 (1969).
 - ³³ J.K. Pachos, *Ann. Phys. (N.Y.)* **322**, 1254 (2007).
 - ³⁴ L.F. Wei, Y.X. Liu, and F. Nori, *Phys. Rev. B* **72**, 104516 (2005).
 - ³⁵ X.-F. Shi, Y. Yu, J.Q. You, and F. Nori, *Phys. Rev. B* **79**, 134431 (2009).
 - ³⁶ H. Yao and S.A. Kivelson, *Phys. Rev. Lett.* **99**, 247203 (2007).
 - ³⁷ S. Yang, D.L. Zhou, and C.P. Sun, *Phys. Rev. B* **76**, 180404(R)(2007).
 - ³⁸ M. Hofheinz *et al.*, *Nature* **459**, 546 (2009).
 - ³⁹ L. DiCarlo *et al.*, *Nature* **460**, 240 (2009).
 - ⁴⁰ M. Ansmann *et al.*, *Nature* **461**, 504 (2009).