

# Generation of large-amplitude coherent-state superposition via ancilla-assisted photon-subtraction

Hiroki Takahashi,<sup>1,2,3</sup> Kentaro Wakui,<sup>1,3</sup> Shigenari Suzuki,<sup>1,3</sup> Masahiro Takeoka,<sup>1,3</sup> Kazuhiro Hayasaka,<sup>1,3</sup> Akira Furusawa,<sup>2,3</sup> and Masahide Sasaki<sup>1,3</sup>

<sup>1</sup> *National Institute of Information and Communications Technology (NICT),  
4-2-1 Nukui-kitamachi, Koganei, Tokyo 184-8795, Japan*

<sup>2</sup> *Department of Applied Physics, School of Engineering, The University of Tokyo,  
7-3-1 Hongo Bunkyo-ku, Tokyo 113-8656, Japan*

<sup>3</sup> *CREST, Japan Science and Technology Agency, 5 Sambancho, Chiyoda-ku, Tokyo 102-0075, Japan*  
(Dated: May 29, 2019)

We propose and demonstrate a novel method to generate a large-amplitude coherent-state superposition (CSS) via ancilla-assisted photon-subtraction. The ancillary mode induces quantum interference of indistinguishable processes, widening the controllability of quantum superposition at the conditional output. We demonstrate the concept in the time domain, by a simple time-separated two-photon subtraction from cw squeezed light. We observe the largest CSS ever reported without any corrections, which will open various quantum information applications with CSS states.

PACS numbers: 42.50.Dv, 42.50.Ex, 03.67.-a, 03.65.Wj

Superposition of macroscopically distinct coherent states, often called coherent-state superposition (CSS), is regarded as an optical realization of Schrödinger's famous cat paradox. Typical CSS states are defined as  $|C_{\pm}\rangle = \frac{1}{\sqrt{N_{\pm}}}(|\alpha\rangle \pm |-\alpha\rangle)$ , where  $|\pm\alpha\rangle$  are coherent states with amplitudes  $\pm\alpha$ . The  $|C_{+}\rangle$  ( $|C_{-}\rangle$ ) is called an even- (odd-) CSS state with a "size"  $|\alpha|^2$ . Realization of large size CSS states are important not only for testing quantum theory but also for many quantum information tasks such as linear-optics quantum computation [1], quantum teleportation [2], and quantum metrology [3]. In practice, one could generate approximate  $|C_{\pm}\rangle$  by subtracting photons from a squeezed vacuum [4]. Along this line, single-photon subtraction has been demonstrated, generating odd cat-like states [5, 6, 7]. But their size was still small, typically  $|\alpha|^2 \simeq 1.0$ .

Increasing the size of the CSS state is important for more quantum gain in the above applications. Although subtracting more than two photons leads to larger states, experiments get more challenging because the success probability rapidly decreases. An alternative way utilizing photon-number states was proposed and a generation of the state  $\sqrt{2/3}|2\rangle - \sqrt{1/3}|0\rangle$  from a pulsed two-photon state was demonstrated [8]. Although it includes only two and zero photon states, it would be very close to  $|C_{+}\rangle$  with  $|\alpha|^2 \simeq 2.6$  if 3.5 dB squeezing is further applied. However, it remains still a challenge to apply such a squeezing onto the squeezed CSS state. Experimental preparation of high-number states is also difficult.

In this letter, we propose and demonstrate a novel way to enhance the size of CSS states without resorting to further subtraction of photons more than two or squeezing operations. Instead we introduce an ancillary mode to assist in suppressing the weights of smaller number photons in a CSS state, and hence to enhance its size.

In the experiment, we implement it in the time domain, by the time-separated two-photon subtraction from a cw squeezed light. As shown later, the size-enhancement is simply realized by changing the time-separation of photon counting events.

Photon subtraction is done by tapping a small fraction of the squeezed vacuum for photon counting, and by selecting the transmitted state conditioned on the detection of photons. A two-photon subtraction from a single-mode squeezed vacuum  $\hat{S}|0\rangle$  (without ancillae) is described as

$$\hat{a}^2 \hat{S}|0\rangle \propto \hat{S}(\epsilon_0 \hat{a}^{\dagger 2} + 1)|0\rangle, \quad (1)$$

where  $\hat{a}$  is an annihilation operator describing a one-photon subtraction and  $\epsilon_0$  represents a degree of squeezing [9]. This is a squeezed state of the superposition  $\sqrt{2}\epsilon_0|2\rangle + |0\rangle$ , which well approximates an even CSS state but its size is still small as  $|\alpha|^2 \simeq 1.0$  [4]. However, the size could be further increased if one could reduce the ratio of  $|0\rangle$  in the superposition, independently from the squeezing factor [10].

This is achieved by introducing an ancillary mode as illustrated in Fig. 1(a). Two independent squeezed vacua are initially prepared in the main ( $\Psi_{+}$ ) and ancillary ( $\Psi_{-}$ ) modes, respectively. Two photons are subtracted in an indistinguishable way from them by combining the tapped beams via a 50/50 beam splitter (BS) for photon counting at detectors 1 and 2, as described by  $\hat{a}_{1,2} \equiv (\hat{a}_{+} \pm \hat{a}_{-})/\sqrt{2}$ . We thus have a superposition state

$$\hat{a}_2 \hat{a}_1 \hat{S}_{+} \hat{S}_{-} |0\rangle_{+} |0\rangle_{-} = \frac{1}{2} (\hat{a}_{+}^2 - \hat{a}_{-}^2) \hat{S}_{+} \hat{S}_{-} |0\rangle_{+} |0\rangle_{-}, \quad (2)$$

where the subscript  $\pm$  represents mode  $\Psi_{\pm}$ . The second term of the rhs appears due to the ancilla-assistance and

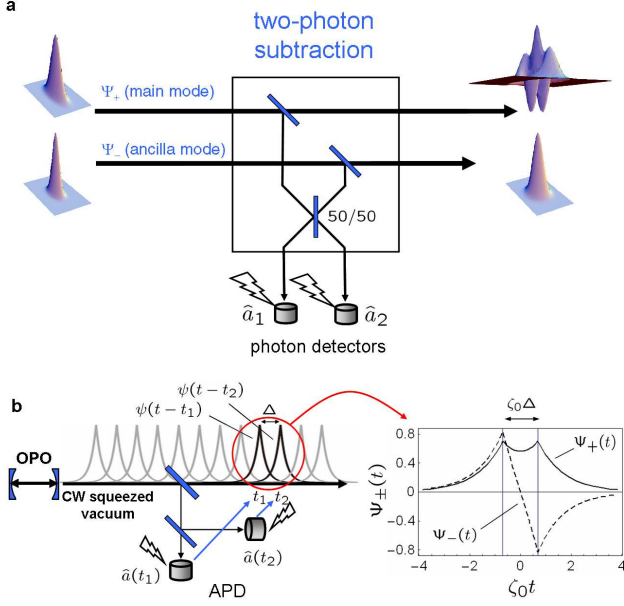


FIG. 1: (color online) (a) Schematic of the ancilla-assisted photon subtraction. (b) The time-separated two-photon subtraction and the temporal mode functions  $\Psi_{\pm}$  in the cw scheme. This is the temporal version of the two-mode scheme in Fig. 1(a). For details, see the text.

will significantly contribute to suppress the weights of smaller number states in the main mode  $\Psi_+$ . In the actual experiment, these two modes are prepared in two orthogonal temporal wavepackets inside a cw squeezed vacuum, naturally arising in the time-separated two-photon subtraction (see Fig. 1(b)). Remarkably, the amount of squeezing in the ancilla  $\Psi_-$  is controlled independently from that in  $\Psi_+$ , by simply changing the time separation of subtractions  $\Delta$ . Also, the 50/50 beamsplitting in Fig. 1(a) is effectively realized by an appropriate choice of the temporal modes.

Provided that the initial squeezing in  $\Psi_-$  is small enough, the main mode  $\Psi_+$  contains a following state as a principal component

$$|\Phi\rangle \propto \hat{S}_+ \left( \epsilon \hat{a}_+^{\dagger 2} + 1 \right) |0\rangle - \tanh(\zeta_0 \Delta / 2) \hat{S}_+ |0\rangle, \quad (3)$$

where, as described later,  $\zeta_0$  is the bandwidth of the optical parametric oscillator (OPO) and  $\epsilon$  is the effective pumping parameter normalized by the OPO threshold [11]. In contrast to Eq. (1), a  $\Delta$ -dependent squeezed vacuum term is coherently added, which allows us to coherently suppress the component  $\hat{S}_+ |0\rangle$  in  $|\Phi\rangle$  and thus increase the size of the CSS state. Note that, in a rigorous cw model, the state in  $\Psi_+$  is slightly decohered to the statistical mixture  $\hat{\rho}_+ = (1 - C_0)|\Phi\rangle\langle\Phi| + C_0\hat{S}_+ |0\rangle\langle 0|\hat{S}_+^{\dagger}$  even without practical imperfections ( $C_0 \ll 1$  for  $\zeta_0 \Delta \lesssim 2$ ) due to a weak entanglement between modes  $\Psi_+$  and  $\Psi_-$  [10]. Figure 2 compares the theoretical Wigner functions

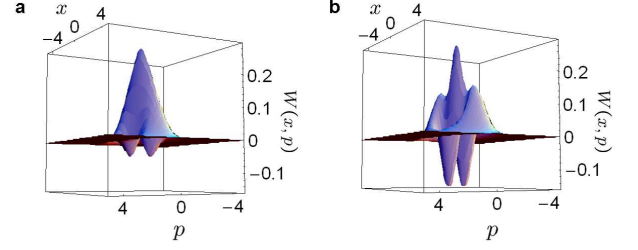


FIG. 2: (color online) Theoretical Wigner functions of the CSS state generated by the time-separated two-photon subtraction.  $\epsilon = 0.3$ . (a)  $\zeta_0 \Delta = 0$  and (b)  $\zeta_0 \Delta = 1.4$  correspond to approximate  $|C_+\rangle$  of  $|\alpha|^2 = 1.2$  and 2.6, respectively.

of  $\hat{\rho}_+$  for  $\zeta_0 \Delta = 0$  and 1.4, i.e. without and with the ancilla assistance. These correspond to the CSS states of  $|\alpha|^2 = 1.2$  ( $\zeta_0 \Delta = 0$ ) and 2.6 ( $\zeta_0 \Delta = 1.4$ ) with the fidelities of 0.928 and 0.932, respectively, where the latter  $\Delta$  is chosen to maximize the size of CSS while preserving a high fidelity ( $> 0.9$ ). For larger  $\Delta$ ,  $C_0$  becomes nonnegligible as discussed later.

Schematic of our experimental setup is shown in Fig. 3. It is built on our previous single-photon subtraction setup [7] with qualitative updates to cope with long data acquisition for hours. A cw Ti:Sapphire laser of 860nm is used as a light source. A squeezed beam is generated from an OPO which employs a periodically-poled KTiOPO<sub>4</sub> (PPKTP) as a nonlinear crystal. The OPO is pumped by a frequency doubled beam of 20mW ( $\epsilon = 0.3$ ) from a second harmonic generation (SHG) cavity with a KNbO<sub>3</sub> crystal. The OPO bandwidth is  $\zeta_0 / 2\pi \sim 4.5$  MHz (HWHM). A small fraction (10%) of the beam is tapped by a tapping BS (TBS) and going through two filtering Fabry-Perot cavities of 2mm-long and of 0.8mm-long, respectively. The unwanted photons in nondegenerate modes extending over a wide range frequencies are well filtered out by these cavities and only the component in the degenerate mode around 860nm is guided into two avalanche photodiodes (APDs) [6, 7]. The transmitted beam through the TBS is continuously measured by a homodyne detector. All cavities are actively locked on the resonance for 860nm by a weak coherent beam and electronic feedback. The coherent beam is periodically chopped by an acousto-optic modulator (AOM), which defines distinct time bins by presence and absence of the coherent beam, and thus enables the alternate sequence of locking and photon counting without stray light within each bin. Also via phase locking the coherent beam to parametric gain of the OPO, we obtain phase information of the measured state from interference between the coherent beam and the local oscillator (LO) beam at the homodyne detector.

Clicks of APDs announce that a conditional state appears in the transmitted beam. Since the coherence time

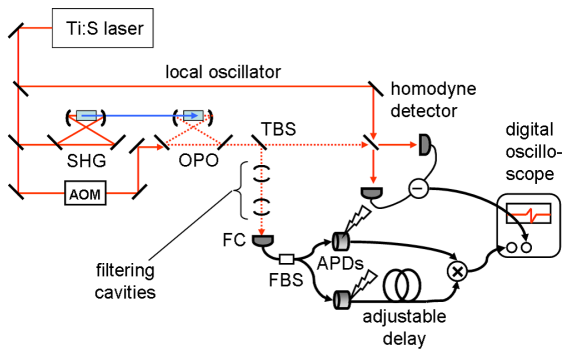


FIG. 3: (color online) Experimental setup of the time-separated two-photon subtraction. SHG : second harmonic generation cavity, OPO : optical parametric oscillator, AOM : acousto-optic modulator, FC : fiber coupler, TBS : tapping beam splitter ( $R = 10\%$ ) FBS : 50/50 fiber beam splitter, and APDs : Si avalanche photodiodes (Perkin-Elmer SPCM-AQR-14).

of the squeezed vacuum ( $\zeta_0^{-1} \sim 35\text{ns}$ ) is much longer than the APD's time resolution [12], the effect of photon subtraction in an APD at time  $t_i$  spreads over the temporal wavepacket  $\psi(t - t_i) = \sqrt{\zeta_0} e^{-\zeta_0|t - t_i|}$  in the transmitted beam (Fig. 1(b)) [13, 14, 15].

The two temporal modes  $\Psi_{\pm}$  appear when two APDs are clicked at  $t_1$  and  $t_2$  with the finite time separation  $\Delta \equiv |t_2 - t_1|$ . The separation  $\Delta$  is adjusted by an electronic delay line. We are interested in the region  $\zeta_0 \Delta \sim 1$  where two wavepackets  $\psi(t - t_{1,2})$  are highly overlapped. As shown in Fig. 1(b), two orthonormal modes in this space can be defined as  $\Psi_{\pm}(t) = [\psi(t - t_1) \pm \psi(t - t_2)] / \sqrt{2(1 \pm I_{\Delta})}$  where  $I_{\Delta} \equiv (1 + \zeta_0 \Delta) e^{-\zeta_0 \Delta}$  and the modes are chosen such that they include  $\psi(t - t_{1,2})$  in symmetric and antisymmetric ways to implement the effective 50/50 BS operation mentioned in Eq. (2). The pumping of  $\epsilon = 0.3$  at the OPO outputs a 3.0dB squeezed vacuum in temporal mode  $\Psi_+(t)$  and the simultaneous-click rate of the two APDs is 6 counts per second for  $\Delta = 0\text{ns}$  and less than 1 count per second for  $\Delta \sim 100\text{ns}$ . The conditional state in the main mode  $\Psi_+$  is measured by a homodyne detector to reconstruct its Wigner function. For every pair of clicks of the APDs with desired  $\Delta$ , a continuous photocurrent of the homodyne detector is stored. A quadrature amplitude in the main mode is extracted from the continuous data by the numerical mode filter  $\Psi_+(t)$  at the photocurrent level, which is equivalent to an optical LO with the waveform of  $\Psi_+(t)$  [6, 7].

Experimentally reconstructed Wigner functions and photon number distributions of  $\hat{\rho}_+$  with  $\Delta = 0$  and 32ns are given in the upper row of Fig. 4(a). The reconstruction was performed by the conventional maximum likelihood estimation method [16] from 22,000 points of quadrature amplitudes in the raw experimental data. No

experimental imperfections are corrected in the reconstruction procedure, whereas most of the previous works corrected the losses at the state evaluation step [5, 6, 8]. Figure 4(a) clearly shows that with finite  $\Delta$ , the two positive peaks corresponding to the components  $|\pm\alpha\rangle$  become apart, i.e. the size-increase of  $\alpha$ .

Ideally (with no imperfections), the two-photon subtracted states of  $\Delta = 0$  and 32ns ( $\zeta_0 \Delta = 0$  and 0.9, respectively) would approximate  $|C_+\rangle$  of  $|\alpha|^2 = 1.2$  and 2.0, respectively, with high fidelities ( $> 90\%$ ). In the experiment, the fidelities of 76% and 60%, for  $|\alpha|^2 = 1.2$  and 2.0, respectively, are achieved. A particular feature of the macroscopic quantum superposition is the presence of negative dips in the Wigner function due to the interference between two distinct wavepackets. For  $\Delta = 32\text{ns}$ , the negative dips are clearly observed at the sides of the origin. This is, to our knowledge, the largest CSS state ever observed, showing the negative Wigner function without any compensation of experimental imperfections. Such quality is achieved by use of a highly pure squeezed vacuum generated from our low loss OPO [7]. The imperfections of our setup are separately measured. The OPO has 0.4% intra-cavity loss. Associated with 9.5% transmittance of the coupling mirror, it gives 0.95 of the escape efficiency of the OPO cavity. The propagation efficiency from the OPO to the homodyne detector is 0.95. The quantum efficiency of the homodyne detector and its electronic noise gives effective detection efficiency 0.98. The spatial overlap between the squeezed vacuum and the LO gives another efficiency of 0.96. In total, the overall quantum efficiency  $\eta_{tot}$  which is a product of all the efficiencies mentioned above is estimated around 0.85. Theoretical Wigner functions including these imperfections are shown in the lower row of Fig. 4(a). The experimental results are almost in agreement with the theoretical models [17] while the negativity is slightly degraded by some unclarified imperfections. We also note that the maximum CSS state is obtained around  $\Delta = 48\text{ns}$  (see Fig. 2(b)) while the experimentally observed negative dips are limited up to 32ns since the low count rates at large  $\Delta$  also degrades the negativity.

The photon number distribution in Fig. 4(a) also reveals a mechanism of the ancilla-assisted photon-subtraction. Rapid suppression of the small photon-number components by increasing  $\Delta$  is clearly observed. Our result should also be contrasted to the squeezed state superposition  $\sqrt{2/3}|2\rangle - \sqrt{1/3}|0\rangle$  generated in [8]. In our case, the even-number distribution extends at least up to  $n = 4$ , and is clearly deviated from that of the squeezed vacuum, which should be another signature of the macroscopic nature of the superposition.

Figure 4(b) plots the average photon numbers  $\langle \hat{n}_{\pm} \rangle$  of modes  $\Psi_{\pm}$  as a function of  $\Delta$ , that agree with the theory well indicated by lines [17]. The increase of  $\langle \hat{n}_+ \rangle$  in the range  $\zeta_0 \Delta \lesssim 2$  supports an experimental evidence of the

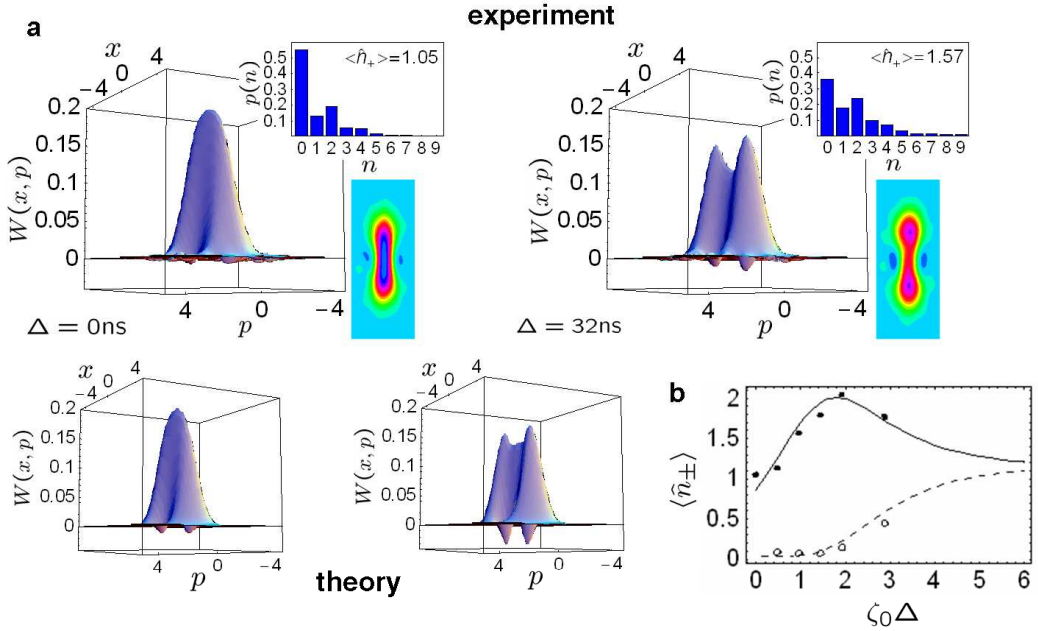


FIG. 4: (color online) (a) Wigner functions of the state  $\hat{\rho}_+$  in mode  $\Psi_+$  for  $\Delta = 0$  ns ( $\zeta_0\Delta = 0$ , left) and  $\Delta = 32$  ns ( $\zeta_0\Delta = 0.90$ , right). Upper row: experimental Wigner functions ( $W(x,p)$ ), their contours, and photon number distributions ( $p(n)$ ). Lower row: model calculation of the Wigner functions. (b) Average photon numbers in modes  $\Psi_{\pm}$ . Upper (filled) plots: experimental  $\langle \hat{n}_+ \rangle$  with  $\Delta = 0, 32, 48, 64, 96$  ns, from left to right. Lower (unfilled) plots: experimental  $\langle \hat{n}_- \rangle$  with  $\Delta = 32, 48, 64, 96$  ns, from left to right. Solid ( $\langle \hat{n}_+ \rangle$ ) and dashed ( $\langle \hat{n}_- \rangle$ ) lines are the theoretical predictions including 15% optical loss.

size-increase. In this range most of photons accumulate in the main mode  $\Psi_+$  while less photons in the ancillary mode  $\Psi_-$ . As  $\Delta$  increases beyond  $\zeta_0\Delta \gtrsim 2$ , however,  $\langle \hat{n}_- \rangle$  starts to increase, and photons in modes  $\Psi_+$  and  $\Psi_-$  are getting entangled, and thus  $\Psi_-$  induces decoherence into the reduced state in  $\Psi_+$ . For  $\zeta_0\Delta \gg 1$ , the state in  $\Psi_+$  is decohered to a completely mixed state  $\hat{\rho}_+ \rightarrow \frac{1}{2}\hat{S}_+(|2\rangle\langle 2| + |0\rangle\langle 0|)\hat{S}_+^\dagger$ .

Finally, we point out that the above drawback of the decoherence could be overcome if one would take advantage of the ancillary mode without being entangled to the main mode. This is done by preparing a coherent state  $|\beta\rangle$  in the ancillary mode. The improved scheme is now represented in terms of generic two modes A and B as

$$(\hat{a}_A^2 - \hat{a}_B^2)\hat{S}_A|0\rangle_A|\beta\rangle_B = (\hat{a}_A^2 - \beta^2)\hat{S}_A|0\rangle_A|\beta\rangle_B. \quad (4)$$

Since the coherent state is an eigenstate of  $\hat{a}$ , one can make a superposition of two- and zero-photon subtractions in mode A without entangling two modes, i.e. without any decoherence. Furthermore the superposition can be controlled arbitrarily with the amplitude of the coherent state ancilla. Note that a related scheme employing displacement operations was also proposed recently [18].

In conclusion, we have proposed a concept of the ancilla-assisted photon-subtraction and experimentally demonstrated it by the time-separated two-photon subtraction from cw squeezed light. Due to the quantum

interference assisted by the ancillary mode, we have successfully observed and characterized the largest CSS state so far showing the negative dips of the Wigner function without any corrections of measurement imperfections. Our experimental scheme involves the trade-off between the size-enlargement and the degradation of the state purity. We pointed out that the trade-off can be circumvented by extending it to the one with a coherent-state ancilla. On the other hand, we should note that, although the entanglement between the system ( $\Psi_+$ ) and the ancilla ( $\Psi_-$ ) has induced unwanted correlations in the present protocol, the whole two-mode state itself shows a complex non-Gaussian properties [17] and could be potentially useful for future applications.

This work was supported by a MEXT Grant-in-Aid for Scientific Research (B) No. 19340115, and for Young Scientists (B) No. 19740253.

- 
- [1] T. C. Ralph, *et al.*, Phys. Rev. A **68**, 042319 (2003).
  - [2] S. J. van Enk and O. Hirota, Phys. Rev. A **64**, 022313 (2001).
  - [3] A. Gilchrist *et al.*, J. Opt. B **6**, S828 (2004).
  - [4] M. Dakna *et al.*, Phys. Rev. A **55**, 3184 (1997).
  - [5] A. Ourjoumtsev *et al.*, Science **312**, 83 (2006).
  - [6] J. S. Neergaard-Nielsen *et al.*, Phys. Rev. Lett. **97**,

- 083604 (2006).
- [7] K. Wakui *et al.*, Opt. Express. **15**, 3568 (2007).
- [8] A. Ourjoumtsev *et al.* Nature **448**, 784 (2007).
- [9] The  $\epsilon_0$  and a conventional squeezing parameter  $r$  are related as  $\epsilon_0 = \tanh r$ . The former is useful to connect a simple two-mode scheme (Fig. 1(a)) and a cw scheme (Fig. 1(b)) smoothly. See Refs [10, 17] and references therein.
- [10] M. Takeoka, H. Takahashi, and M. Sasaki, Phys. Rev. A **77**, 062315 (2008).
- [11] Again, in the two-mode scheme,  $\tanh(\zeta_0\Delta/2)$  should be replaced by  $(\sinh 2r_-/\sinh 2r_+)$  originating from the second term of the rhs in Eq. (2). Here  $r_{\pm}$  are the squeezing parameters in modes  $\Psi_{\pm}$ . See Sec. IV of [10] for details.
- [12] M. Sasaki and S. Suzuki, Phys. Rev. A **73**, 043807 (2006).
- [13] K. Mølmer, Phys. Rev. A **73**, 063804 (2006).
- [14] A. E. B. Nielsen and K. Mølmer, Phys. Rev. A **75**, 023806 (2007).
- [15] A. E. B. Nielsen and K. Mølmer, Phys. Rev. A **75**, 043801 (2007).
- [16] A. I. Lvovsky, J. Opt. B **6**, S556 (2004).
- [17] M. Sasaki, M. Takeoka, and H. Takahashi, Preprint at <http://arxiv.org/quant-ph/0804.0354> (2008).
- [18] A. E. B. Nielsen and K. Mølmer Phys. Rev. A **76**, 043840 (2007).