

Symmetry Classes of Spin and Orbital Ordered States in a t_{2g} Hubbard Model on a Two-dimensional Squar Lattice

Masanori HAMADA, Akira NAKANISHI¹, Akira GOTO² and Masa-aki OZAKI³

*Graduate School of Materials Science, Nara Institute of Science and Technology,
8916-5, Ikoma 630-0192, Japan*

¹*Department of General Education, Osaka Institute of Technology, Osaka
535-8585, Japan*

²*Department of General Education, Kochi National College of Technology, Nangoku
599-8531, Japan*

³*Uji 611-0002, Japan*

This paper presents symmetry classes of the Hartree-Fock (HF) solutions of spin and orbital ordered states in a t_{2g} Hubbard model on a two-dimensional square lattice. Using a group theoretical bifurcation theory of the Hartree-Fock equation, we obtained many types of broken symmetry solutions which bifurcate from the normal state through one step transition in cases of commensurate ordering vectors $\mathbf{Q}_0 = (0, 0)$, $\mathbf{Q}_1 = (\pi, \pi)$, $\mathbf{Q}_2 = (\pi, 0)$ and $\mathbf{Q}_3 = (0, \pi)$. Each broken symmetry state is characterized by the presence of local order parameters (LOP) at each lattice site: quadrupole moment $\mathbf{Q} = (Q_2^z, Q_{12}, Q_{23}, Q_{31})$, orbital angular momentum $\mathbf{l} = (l_1, l_2, l_3)$, spin density $\mathbf{s} = (s^1, s^2, s^3)$, spin quadrupole moment $\mathbf{Q}^\lambda = (Q_2^{2\lambda}, Q_{12}^\lambda, Q_{23}^\lambda, Q_{31}^\lambda)$ and spin orbital angular momentum $\mathbf{l}^\lambda = (l_1^\lambda, l_2^\lambda, l_3^\lambda)$ where $\lambda = 1, 2, 3$. We performed numerical calculations for some parameter sets. Then we have found that many types of non-collinear magnetic orbital ordered states having LOP: \mathbf{Q}^λ and \mathbf{l}^λ can be the ground state for these parameter sets.

§1. Introduction

Perovskite-type $RTiO_3$ and RVO_3 ¹⁾⁻³⁾ (R being a rare-earth ion or Y) and quasi two-dimensional ruthenate compounds $Ca_{2-x}Sr_xRuO_4$ ⁴⁾⁻⁸⁾ have gained considerable interest because of their plentiful phases including various orbital orders. In a previous paper⁹⁾ (hereafter we cite it as I), in order to study these perovskite-type compounds, we have considered a triply degenerate t_{2g} Hubbard model on a three-dimensional cubic lattice.

In the paper we have presented a brief review of the general group theoretical bifurcation theory of the Hartree-Fock (HF) equation. By listing axial isotropy subgroups of the R-reps (irreducible representation over the real number field) of the group G_0 of symmetry of the system, we have obtained various types of non magnetic orbital ordered states and collinear *) magnetic **) orbital ordered states, which bifurcate from the normal state through one step transition in the cases of ordering vectors $\mathbf{Q}_F = (0, 0, 0)$ and $\mathbf{Q}_G = (\pi, \pi, \pi)$.

In the present paper, to study quasi two-dimensional ruthenate compounds, we consider a three-orbital t_{2g} Hubbard model on a two-dimensional square lattice.⁵⁾ We apply the group theoretical bifurcation theory to this model.

*) All spins are along the z axis.

**) The phrase "magnetic" means magnetic due to the spin of electrons.

In this paper we consider broken symmetry states with ordering vectors Γ point : $\mathbf{Q}_0 = (0, 0)$, M point : $\mathbf{Q}_1 = (\pi, \pi)$ and X point : $\mathbf{Q}_2 = (\pi, 0)$ and $\mathbf{Q}_3 = (0, \pi)$ which can allow states with double \mathbf{Q} . Also we consider magnetic states with non-collinear spin structure, which were not treated in I.

This paper is organized as follows. In §2 we give a model Hamiltonian and its symmetry group G_0 . In §3 we present a general HF Hamiltonian with ordering vectors $\mathbf{Q}_0, \mathbf{Q}_1, \mathbf{Q}_2$ and \mathbf{Q}_3 , and define the isotropy subgroup of the HF Hamiltonian. We present general formulae for the local order parameters (LOP) at the lattice site \mathbf{m} : the charge density, the spin density, the quadrupole moment, the orbital angular momentum, the spin quadrupole moment, and the spin orbital angular momentum. In §4 we present R-reps of the symmetry group G_0 of the system over the HF Hamiltonian space.

In §5 we present symmetry classes of non magnetic orbital ordered states by listing axial isotropy subgroups of R-reps which do not break the spin rotation symmetry. In three examples, we show how to derive the canonical form of the HF Hamiltonian and occupied orbitals from the isotropy subgroup of a state. We show that all states, which break the time reversal symmetry, have orbital angular momentum and almost of all states, which do not break the time reversal symmetry, have the quadrupole moment.

In §6 we present symmetry classes of magnetic orbital ordered states by listing axial isotropy subgroups of R-reps which break the spin rotation symmetry. From R-reps which break time reversal symmetry, we obtain states which have spin densities or spin quadrupole moments as LOP. From R-reps which do not break time reversal symmetry, we obtain states which have spin orbital angular moment as LOP.

In two collinear examples, in which hold the spin rotation symmetry around the z axis, and the time reversal symmetry is broken, we show how to derive the canonical form of occupied orbital and explicit form of the spin density or the spin quadrupole moment as LOP. In three non-collinear examples, in which both of the spin rotation symmetry around the z axis and the time reversal symmetry are broken, we show how to derive the canonical form of occupied orbital and explicit form of the non-collinear spin density or the spin quadrupole moment as LOP.

In §7 we report numerical results for some parameter sets. There we show that various non-collinear magnetic states can be the most stable in all states described in §5 and §6 for these parameter sets. In §8 a summary and discussion are given. In this section we discuss two examples of states bifurcating through two step transitions from the normal state. It is shown that these are the coexistent states of the spin density and the quadrupole moment. The notation used in this paper follows the one in I.

§2. The model Hamiltonian and its symmetry

We consider the three-orbital t_{2g} Hubbard Hamiltonian on the two-dimensional square lattice (lattice constant= 1):

$$\begin{aligned} \mathcal{H} = & \sum_{\mathbf{n}} \sum_{i=1}^3 \sum_s \epsilon_i a_{\mathbf{n}is}^\dagger a_{\mathbf{n}is} - \sum_{\mathbf{n}, \mathbf{a}} \sum_{i,j=1}^3 \sum_s t_{ij}^{\mathbf{a}} a_{\mathbf{n}is}^\dagger a_{(\mathbf{n}+\mathbf{a})js} - \mu \sum_{\mathbf{n}, i, s} n_{\mathbf{n}is} \\ & + U \sum_{\mathbf{n}, i} n_{\mathbf{n}i\uparrow} n_{\mathbf{n}i\downarrow} + \frac{U'}{2} \sum_{\mathbf{n}} \sum_{i \neq j} \sum_{s, s'} n_{\mathbf{n}is} n_{\mathbf{n}js'} \\ & + \frac{J}{2} \sum_{\mathbf{n}} \sum_{i \neq j} \sum_{s, s'} a_{\mathbf{n}is}^\dagger a_{\mathbf{n}js'}^\dagger a_{\mathbf{n}is'} a_{\mathbf{n}js} + \frac{J'}{2} \sum_{\mathbf{n}} \sum_{i \neq j} \sum_{s, s'} a_{\mathbf{n}is}^\dagger a_{\mathbf{n}is'}^\dagger a_{\mathbf{n}js'} a_{\mathbf{n}js}, \quad (2.1) \end{aligned}$$

where $a_{\mathbf{n}is}^\dagger$ is the creation operator for a t_{2g} electron with spin s in the i -th ($i = 1$ for d_{yz} , $i = 2$ for d_{zx} and $i = 3$ for d_{xy}) orbital at site \mathbf{n} and $n_{\mathbf{n}is} = a_{\mathbf{n}is}^\dagger a_{\mathbf{n}is}$, ϵ_i is the crystal field for the i -th orbital, \mathbf{a} is the vector connecting nearest neighbor sites, that is, $\mathbf{a} = (1, 0), (0, 1), (-1, 0), (0, -1)$ and $t_{ij}^{\mathbf{a}}$ is the nearest neighbor hopping integral between i and j orbitals along \mathbf{a} direction, U is the intra-orbital Coulomb interaction, U' is the inter-orbital Coulomb interaction, J is the exchange integral and J' is the pair hopping interaction. $U = U' + J + J'$ is derived from rotational invariance in orbital space and $J = J'$ from the evaluation of Coulomb integrals. Three t_{2g} atomic orbitals $\phi_1(\mathbf{r})$, $\phi_2(\mathbf{r})$ and $\phi_3(\mathbf{r})$ of an atom located at the origin are defined by

$$\begin{aligned} \phi_1(\mathbf{r}) &= d_{yz} = f(r)yz, \\ \phi_2(\mathbf{r}) &= d_{zx} = f(r)zx, \\ \phi_3(\mathbf{r}) &= d_{xy} = f(r)xy, \end{aligned} \quad (2.2)$$

where $\mathbf{r} = (x, y, z)$, $r = |\mathbf{r}|$ and $f(r)$ is a spherical symmetric function. Three t_{2g} atomic orbitals of an atom located at a site \mathbf{n} are given by $\phi_1(\mathbf{r} - \mathbf{n})$, $\phi_2(\mathbf{r} - \mathbf{n})$ and $\phi_3(\mathbf{r} - \mathbf{n})$.

The symmetry group G_0 of the Hamiltonian \mathcal{H} in (2.1) is given by

$$G_0 = \mathbf{P} \times \mathbf{S} \times \mathbf{R}, \quad (2.3)$$

where $\mathbf{P} = \mathbf{L}(\mathbf{e}_1, \mathbf{e}_2) \wedge \mathbf{D}_{4h}$ is the space group of the square lattice, $\mathbf{L}(\mathbf{e}_1, \mathbf{e}_2)$ is a two-dimensional translation group with basis vectors \mathbf{e}_1 and \mathbf{e}_2 , and \wedge denotes the semidirect product. \mathbf{D}_{4h} is the point group of the square lattice. \mathbf{S} is the group of spin rotation, $\mathbf{R} = \{E, t\}$ is the group of time reversal.

Three orbitals $\phi_1(\mathbf{r})$, $\phi_2(\mathbf{r})$ and $\phi_3(\mathbf{r})$ have following symmetry properties for $p \in \mathbf{D}_{4h}$.

$$\begin{aligned} p \cdot \phi_i(\mathbf{r}) &\equiv \phi_i(p^{-1} \cdot \mathbf{r}) = \sum_{j=1}^2 \phi_j(\mathbf{r}) D_{ji}^{(E_g)}(p), \quad \text{for } i = 1, 2 \\ p \cdot \phi_3(\mathbf{r}) &\equiv \phi_3(p^{-1} \cdot \mathbf{r}) = \chi^{(B_{2g})}(p) \phi_3(\mathbf{r}), \end{aligned} \quad (2.4)$$

Table I. R-rep matrices $D^{(\gamma)}$ of \mathbf{D}_{4h}

Representation	A_{1g}	A_{2g}	B_{1g}	B_{2g}	E_g
E	1	1	1	1	$\begin{pmatrix} 1 & 0 \\ 0 & 1 \end{pmatrix}$
C_{4z}^+	1	1	-1	-1	$\begin{pmatrix} 0 & 1 \\ -1 & 0 \end{pmatrix}$
C_{4z}^-	1	1	-1	-1	$\begin{pmatrix} 0 & -1 \\ 1 & 0 \end{pmatrix}$
C_{2z}	1	1	1	1	$\begin{pmatrix} -1 & 0 \\ 0 & -1 \end{pmatrix}$
C_{2x}	1	-1	1	-1	$\begin{pmatrix} 1 & 0 \\ 0 & -1 \end{pmatrix}$
C_{2y}	1	-1	1	-1	$\begin{pmatrix} -1 & 0 \\ 0 & 1 \end{pmatrix}$
C_{2a}	1	-1	-1	1	$\begin{pmatrix} 0 & -1 \\ -1 & 0 \end{pmatrix}$
C_{2b}	1	-1	-1	1	$\begin{pmatrix} 0 & 1 \\ 1 & 0 \end{pmatrix}$

$D^{(\gamma)}(Ip) = D^{(\gamma)}(p)$, for $p \in \mathbf{D}_4$, I : inversion.

where $D_{ji}^{(E_g)}(p)(\chi^{(B_{2g})}(p))$ are R-rep matrices of $E_g(B_{2g})$. The equations (2.4) can be expressed in a more compact form

$$p \cdot \phi_i(\mathbf{r}) = \sum_{j=1}^3 \phi_j(\mathbf{r}) D_{ji}(p), \quad i = 1, 2, 3 \quad (2.5)$$

where

$$D(p) = \begin{pmatrix} D_{11}^{(E_g)}(p) & D_{12}^{(E_g)}(p) & 0 \\ D_{21}^{(E_g)}(p) & D_{22}^{(E_g)}(p) & 0 \\ 0 & 0 & \chi^{(B_{2g})}(p) \end{pmatrix}. \quad (2.6)$$

Action of $p \in \mathbf{D}_{4h}$ on $\phi_i(\mathbf{r} - \mathbf{n})$ are given by

$$\begin{aligned} p \cdot \phi_i(\mathbf{r} - \mathbf{n}) &\equiv \phi_i(p^{-1} \cdot \mathbf{r} - \mathbf{n}) = \phi_i(p^{-1} \cdot (\mathbf{r} - p \cdot \mathbf{n})) \\ &= \sum_{j=1}^3 \phi_j(\mathbf{r} - p \cdot \mathbf{n}) D_{ji}(p). \end{aligned} \quad (2.7)$$

Then actions of $p \in \mathbf{D}_{4h}$ on $\{a_{\mathbf{n}is}^\dagger, a_{\mathbf{n}is}\}$ are given by

$$p \cdot a_{\mathbf{n}is}^\dagger = \sum_{j=1}^3 a_{(p \cdot \mathbf{n})js}^\dagger D_{ji}(p), \quad p \cdot a_{\mathbf{n}is} = \sum_{j=1}^3 a_{(p \cdot \mathbf{n})js} D_{ji}(p). \quad (2.8)$$

Actions of translation $T(\mathbf{n}) \in \mathbf{L}(\mathbf{e}_1, \mathbf{e}_2)$ with a vector $\mathbf{n} = n_1\mathbf{e}_1 + n_2\mathbf{e}_2$ (n_1 and n_2 are integers) on $\{a_{\mathbf{m}is}^\dagger, a_{\mathbf{m}is}\}$ are given by

$$T(\mathbf{n}) \cdot a_{\mathbf{m}is}^\dagger = a_{(\mathbf{n}+\mathbf{m})is}^\dagger, \quad T(\mathbf{n}) \cdot a_{\mathbf{m}is} = a_{(\mathbf{n}+\mathbf{m})is}. \quad (2.9)$$

Actions of spin rotation $u(\mathbf{n}, \theta) \in \mathbf{S}$, time reversal $t \in \mathbf{R}$ on $\{a_{\mathbf{m}is}^\dagger, a_{\mathbf{m}is}\}$ are defined by^{12), 14)}

$$\begin{aligned} u(\mathbf{n}, \theta) \cdot a_{\mathbf{m}is}^\dagger &= \sum_{s'} u(\mathbf{n}, \theta)_{s's} a_{\mathbf{m}is'}^\dagger, & u(\mathbf{n}, \theta) \cdot a_{\mathbf{m}is} &= \sum_{s'} \{u(\mathbf{n}, \theta)_{s's}\}^* a_{\mathbf{m}is'}, \\ t \cdot (za_{\mathbf{m}i\uparrow}^\dagger) &= -z^* a_{\mathbf{m}i\downarrow}^\dagger, & t \cdot (za_{\mathbf{m}i\uparrow}) &= -z^* a_{\mathbf{m}i\downarrow}, \\ t \cdot (za_{\mathbf{m}i\downarrow}^\dagger) &= z^* a_{\mathbf{m}i\uparrow}^\dagger, & t \cdot (za_{\mathbf{m}i\downarrow}) &= z^* a_{\mathbf{m}i\uparrow}, \end{aligned} \quad (2.10)$$

where $u(\mathbf{n}, \theta)$ is a spin rotation by θ around the \mathbf{n} axis and is given by 2×2 unitary matrix;

$$\begin{aligned} u(\mathbf{n}, \theta) &= \cos\left(\frac{\theta}{2}\right) \mathbf{1}_2 - i(\boldsymbol{\sigma} \cdot \mathbf{n}) \sin\left(\frac{\theta}{2}\right), \\ \boldsymbol{\sigma} &= (\sigma^1, \sigma^2, \sigma^3) : \text{Pauli matrices,} \\ \mathbf{1}_2 &= 2 \times 2 \text{ unit matrix,} \end{aligned} \quad (2.11)$$

and z is a complex number and z^* is a complex conjugate of z .

From D_{4h} invariance of the Hamiltonian \mathcal{H} , we obtain following conditions for ϵ_i and t_{ij}^a

$$\begin{aligned} \epsilon_1 &= \epsilon_2 = \delta, \quad \epsilon_3 = 0 \\ t_{11}^{(1,0)} &= t_{11}^{(-1,0)} = t_{22}^{(0,1)} = t_{22}^{(0,-1)} = t_1, \\ t_{22}^{(1,0)} &= t_{22}^{(-1,0)} = t_{11}^{(0,1)} = t_{11}^{(0,-1)} = t_2, \\ t_{33}^{(1,0)} &= t_{33}^{(-1,0)} = t_{33}^{(0,1)} = t_{33}^{(0,-1)} = t_3, \\ t_{ij}^a &= 0, \quad \text{in other cases} \end{aligned} \quad (2.12)$$

where δ is the level splitting between ϕ_3 and (ϕ_1, ϕ_2) orbitals.

Using Fourier transformations

$$a_{i\mathbf{k}s}^\dagger = \frac{1}{\sqrt{N}} \sum_{\mathbf{n}} e^{i\mathbf{k} \cdot \mathbf{n}} a_{\mathbf{n}is}^\dagger, \quad a_{i\mathbf{k}s} = \frac{1}{\sqrt{N}} \sum_{\mathbf{n}} e^{-i\mathbf{k} \cdot \mathbf{n}} a_{\mathbf{n}is}, \quad (2.13)$$

we obtain \mathcal{H} in the momentum representation

$$\begin{aligned} \mathcal{H} &= \sum_{\mathbf{k}, s} \sum_{i=1}^3 \{-t_{ii}(\mathbf{k}) - \mu\} a_{i\mathbf{k}s}^\dagger a_{i\mathbf{k}s} \\ &+ \frac{1}{2} \sum_{\mathbf{k}, \mathbf{k}', \mathbf{q}} \sum_{i, j, n, m=1}^3 \sum_{s, s'} \langle i(\mathbf{k} + \mathbf{q})s, n\mathbf{k}'s' | V | j\mathbf{k}s, m(\mathbf{k}' + \mathbf{q})s' \rangle \\ &\quad \times a_{i(\mathbf{k}+\mathbf{q})s}^\dagger a_{n\mathbf{k}'s'}^\dagger a_{m(\mathbf{k}'+\mathbf{q})s'} a_{j\mathbf{k}s}. \end{aligned} \quad (2.14)$$

where N is the number of lattice sites and \mathbf{k} runs in the first Brillouin zone:

$\{\mathbf{k} = (k_1, k_2) \mid -\pi \leq k_1, k_2 \leq \pi\}$, and

$t_{ii}(\mathbf{k})$ and $\langle i(\mathbf{k} + \mathbf{q})_s, n\mathbf{k}'s' \mid V \mid j\mathbf{k}s, m(\mathbf{k}' + \mathbf{q})s' \rangle$ are given by

$$\begin{aligned} t_{11}(\mathbf{k}) &= -\delta + 2(t_1 \cos k_1 + t_2 \cos k_2), \\ t_{22}(\mathbf{k}) &= -\delta + 2(t_2 \cos k_1 + t_1 \cos k_2), \\ t_{33}(\mathbf{k}) &= 2t_3(\cos k_1 + \cos k_2), \end{aligned} \quad (2.15)$$

$$\begin{aligned} \langle i(\mathbf{k} + \mathbf{q})_s, i\mathbf{k}'s' \mid V \mid i\mathbf{k}s, i(\mathbf{k}' + \mathbf{q})s' \rangle &= \frac{U}{N}, \\ \langle i(\mathbf{k} + \mathbf{q})_s, j\mathbf{k}'s' \mid V \mid i\mathbf{k}s, j(\mathbf{k}' + \mathbf{q})s' \rangle &= \frac{U'}{N}, \quad i \neq j, \\ \langle i(\mathbf{k} + \mathbf{q})_s, j\mathbf{k}'s' \mid V \mid j\mathbf{k}s, i(\mathbf{k}' + \mathbf{q})s' \rangle &= \frac{J}{N}, \quad i \neq j, \\ \langle i(\mathbf{k} + \mathbf{q})_s, i\mathbf{k}'s' \mid V \mid j\mathbf{k}s, j(\mathbf{k}' + \mathbf{q})s' \rangle &= \frac{J'}{N}, \quad i \neq j, \\ \langle i(\mathbf{k} + \mathbf{q})_s, n\mathbf{k}'s' \mid V \mid j\mathbf{k}s, m(\mathbf{k}' + \mathbf{q})s' \rangle &= 0, \quad \text{otherwise.} \end{aligned} \quad (2.16)$$

From (2.8), (2.9), (2.10) and (2.13), actions of $p \in \mathbf{D}_{4h}, T(\mathbf{n}) \in \mathbf{L}(\mathbf{e}_1, \mathbf{e}_2)$,

$u(\mathbf{n}, \theta) \in \mathbf{S}, t \in \mathbf{R}$ on $\{a_{i\mathbf{k}s}^\dagger, a_{i\mathbf{k}s}\}$ are given by

$$\begin{aligned} p \cdot a_{i\mathbf{k}s}^\dagger &= \sum_{j=1}^3 D_{ji}(p) a_{j(p \cdot \mathbf{k})s}^\dagger, & p \cdot a_{i\mathbf{k}s} &= \sum_{j=1}^3 D_{ji}(p) a_{j(p \cdot \mathbf{k})s}, \\ T(\mathbf{n}) \cdot a_{i\mathbf{k}s}^\dagger &= e^{-i\mathbf{k} \cdot \mathbf{n}} a_{i\mathbf{k}s}^\dagger, & T(\mathbf{n}) \cdot a_{i\mathbf{k}s} &= e^{i\mathbf{k} \cdot \mathbf{n}} a_{i\mathbf{k}s}, \\ u(\mathbf{n}, \theta) \cdot a_{i\mathbf{k}s}^\dagger &= \sum_{s'=1}^2 u(\mathbf{n}, \theta)_{s's} a_{i\mathbf{k}s'}^\dagger, & u(\mathbf{n}, \theta) \cdot a_{i\mathbf{k}s} &= \sum_{s'=1}^2 u(\mathbf{n}, \theta)_{s's}^* a_{i\mathbf{k}s'}, \\ t \cdot (z a_{i\mathbf{k}\uparrow}^\dagger) &= -z^* a_{i(-\mathbf{k})\downarrow}^\dagger, & t \cdot (z a_{i\mathbf{k}\uparrow}) &= -z^* a_{i(-\mathbf{k})\downarrow}, \\ t \cdot (z a_{i\mathbf{k}\downarrow}^\dagger) &= z^* a_{i(-\mathbf{k})\uparrow}^\dagger, & t \cdot (z a_{i\mathbf{k}\downarrow}) &= z^* a_{i(-\mathbf{k})\uparrow}. \end{aligned} \quad (2.17)$$

§3. Hartree-Fock Hamiltonian and its isotropy subgroup

In this paper we consider HF solutions with four types of ordering vectors $\mathbf{Q}_0 = (0, 0), \mathbf{Q}_1 = (\pi, \pi), \mathbf{Q}_2 = (\pi, 0), \mathbf{Q}_3 = (0, \pi)$. Thus a general HF Hamiltonian H_m is written as

$$H_m = H_K + \sum_{l=0}^3 \sum_{i,j=1}^3 \sum_{\lambda=0}^3 \sum_{s,s'=1}^2 \sum_{\mathbf{k}} x_{ij}^{l\lambda}(\mathbf{k}) a_{i(\mathbf{k}+\mathbf{Q}_l)_s}^\dagger \sigma_{ss'}^\lambda a_{j\mathbf{k}s'}, \quad (3.1)$$

where H_K is the kinetic energy written as

$$H_K = \sum_{\mathbf{k}} \sum_{i=1}^3 \sum_{s=1}^2 \{-t_{ii}(\mathbf{k}) - \mu\} a_{i\mathbf{k}s}^\dagger a_{i\mathbf{k}s}. \quad (3.2)$$

From the Hermite condition of H_m we have

$$x_{ij}^{l\lambda}(\mathbf{k} + \mathbf{Q}_l)^* = x_{ji}^{l\lambda}(\mathbf{k}). \quad (3.3)$$

$x_{ij}^{l\lambda}(\mathbf{k})$ in (3.1) satisfy following SCF conditions

$$\begin{aligned} x_{ij}^{l0}(\mathbf{k}) &= \sum_{\mathbf{k}'} \sum_{m,n=1}^3 W_{injm}^l(\mathbf{k}, \mathbf{k}') \rho_{mn}^{l0}(\mathbf{k}'), \quad l = 0, 1, 2, 3 \\ x_{ij}^{l\lambda}(\mathbf{k}) &= \sum_{\mathbf{k}'} \sum_{m,n=1}^3 Y_{injm}^l(\mathbf{k}, \mathbf{k}') \rho_{mn}^{l\lambda}(\mathbf{k}'), \quad l = 0, 1, 2, 3, \quad \lambda = 1, 2, 3 \end{aligned} \quad (3.4)$$

where

$$\begin{aligned} \rho_{ij}^{l\lambda}(\mathbf{k}) &= \frac{1}{2} \sum_{s,s'=1}^2 \langle a_{j(\mathbf{k}+\mathbf{Q}_l)s}^\dagger a_{i\mathbf{k}s'} \rangle \sigma_{ss'}^\lambda, \\ W_{injm}^l(\mathbf{k}, \mathbf{k}') &= 2 \langle i(\mathbf{k} + \mathbf{Q}_l)_s, n\mathbf{k}'_s | V | j\mathbf{k}s, m(\mathbf{k}' + \mathbf{Q}_l)_s \rangle \\ &\quad - \langle i(\mathbf{k} + \mathbf{Q}_l)_s, n\mathbf{k}'_s | V | m(\mathbf{k}' + \mathbf{Q}_l)_s, j\mathbf{k}s \rangle, \\ Y_{injm}^l(\mathbf{k}, \mathbf{k}') &= - \langle i(\mathbf{k} + \mathbf{Q}_l)_s, n\mathbf{k}'_s | V | m(\mathbf{k}' + \mathbf{Q}_l)_s, j\mathbf{k}s \rangle, \end{aligned} \quad (3.5)$$

where $\langle \hat{A} \rangle$ denotes the expectation value of \hat{A} in the ground state of the HF Hamiltonian H_m and $\rho_{ij}^{l\lambda}(\mathbf{k})$ satisfies

$$\begin{aligned} \rho_{ji}^{l\lambda}(\mathbf{k})^* &= \rho_{ij}^{l\lambda}(\mathbf{k} + \mathbf{Q}_l), \\ \langle a_{j(\mathbf{k}+\mathbf{Q}_l)s'}^\dagger a_{i\mathbf{k}s} \rangle &= \sum_{\lambda=0}^3 \sigma_{ss'}^\lambda \rho_{ij}^{l\lambda}(\mathbf{k}). \end{aligned} \quad (3.6)$$

From (2.16) we have for $i \neq j$

$$\begin{aligned} W_{iiii}^l(\mathbf{k}, \mathbf{k}') &\equiv W_{iiii} = \frac{U}{N}, & Y_{iiii}^l(\mathbf{k}, \mathbf{k}') &\equiv Y_{iiii} = -\frac{U}{N}, \\ W_{ijij}^l(\mathbf{k}, \mathbf{k}') &\equiv W_{ijij} = \frac{2U' - J}{N}, & Y_{ijij}^l(\mathbf{k}, \mathbf{k}') &\equiv Y_{ijij} = -\frac{J}{N}, \\ W_{iijj}^l(\mathbf{k}, \mathbf{k}') &\equiv W_{iijj} = \frac{J'}{N}, & Y_{iijj}^l(\mathbf{k}, \mathbf{k}') &\equiv Y_{iijj} = -\frac{J'}{N}, \\ W_{ijji}^l(\mathbf{k}, \mathbf{k}') &\equiv W_{ijji} = \frac{2J - U'}{N}, & Y_{ijji}^l(\mathbf{k}, \mathbf{k}') &\equiv Y_{ijji} = -\frac{U'}{N}, \\ W_{injm}^l(\mathbf{k}, \mathbf{k}') &\equiv W_{injm} = 0, & Y_{injm}^l(\mathbf{k}, \mathbf{k}') &\equiv Y_{injm} = 0, \text{ otherwise} \end{aligned} \quad (3.7)$$

From (3.4) and (3.7) we see that $x_{ij}^{l\lambda}(\mathbf{k})$ are independent of \mathbf{k} and given by

$$\begin{aligned} x_{ij}^{l0}(\mathbf{k}) &\equiv x_{ij}^{l0} = N \sum_{m,n=1}^3 W_{injm} R_{mn}^{l0}, \quad l = 0, 1, 2, 3 \\ x_{ij}^{l\lambda}(\mathbf{k}) &\equiv x_{ij}^{l\lambda} = N \sum_{m,n=1}^3 Y_{injm} R_{mn}^{l\lambda}, \quad l = 0, 1, 2, 3, \quad \lambda = 1, 2, 3 \end{aligned} \quad (3.8)$$

where

$$R_{ij}^{l\lambda} = \frac{1}{N} \sum_{\mathbf{k}} \rho_{ij}^{l\lambda}(\mathbf{k}). \quad (3-9)$$

We denote a 3×3 matrix whose (i, j) component is $x_{ij}^{l\lambda}$ ($R_{ij}^{l\lambda}$) by $\mathbf{x}^{l\lambda}$ ($\mathbf{R}^{l\lambda}$). From (3-3), (3-6), (3-8), (3-9), we see that $\mathbf{x}^{l\lambda}$ and $\mathbf{R}^{l\lambda}$ are Hermite matrices.

From (3-8) the HF Hamiltonian H_m in (3-1) can be written as

$$H_m = H_K + \sum_{l=0}^3 \sum_{i,j=1}^3 \sum_{\lambda=0}^3 \sum_{s,s'=1}^2 \sum_{\mathbf{k}} x_{ij}^{l\lambda} a_{i(\mathbf{k}+\mathbf{Q}_l)s}^\dagger \sigma_{ss'}^\lambda a_{j\mathbf{k}s'}. \quad (3-10)$$

From (3-10) and the Hermiticity of $\mathbf{x}^{l\lambda}$, H_m is characterized by 3×3 Hermitian matrices $\mathbf{x}^{l\lambda}$ (16 matrices in all, corresponding $l = 0, 1, 2, 3$, $\lambda = 0, 1, 2, 3$). Thus H_m is specified by a vector in the **HF Hamiltonian space** W_{HF} over real number field \mathbb{R} :

$$W_{\text{HF}} = \left\{ \sum_{\mathbf{k}} (a_{i(\mathbf{k}+\mathbf{Q}_l)s}^\dagger a_{j\mathbf{k}s'} + a_{j\mathbf{k}s'}^\dagger a_{i(\mathbf{k}+\mathbf{Q}_l)s}), \sum_{\mathbf{k}} (i a_{i(\mathbf{k}+\mathbf{Q}_l)s}^\dagger a_{j\mathbf{k}s'} - i a_{j\mathbf{k}s'}^\dagger a_{i(\mathbf{k}+\mathbf{Q}_l)s}) \right\}_{\mathbb{R}}, \quad (3-11)$$

where $l = 0, 1, 2, 3$, $i, j = 1, 2, 3$ and $\{A, B, \dots\}_{\mathbb{R}}$ denotes a vector space with bases A, B, \dots over the real number field.

The HF energy is expressed in terms of $\mathbf{R}^{l\lambda}$

$$\begin{aligned} E_{\text{FH}} &= \langle H_K \rangle' + N^2 \sum_{i,n,j,m=1}^3 W_{injm} R_{ji}^{l0} R_{mn}^{l0} \\ &\quad + N^2 \sum_{i,n,j,m=1}^3 \sum_{\lambda=1}^3 Y_{injm} R_{ji}^{l\lambda} R_{mn}^{l\lambda}, \\ \langle H_K \rangle' &= -2 \sum_{\mathbf{k}} \sum_{i=1}^3 t_{ii}(\mathbf{k}) \rho_{ii}^{00}(\mathbf{k}). \end{aligned} \quad (3-12)$$

The SCF condition (3-8) corresponds to the extremum condition of E_{FH} .¹¹⁾

Actions $g \in G_0$ on H_m are defined by

$$\begin{aligned} g \cdot H_m &= H_K \\ &\quad + \sum_{l=0}^3 \sum_{i,j=1}^3 \sum_{\lambda=0}^3 \sum_{s,s'=1}^2 \sum_{\mathbf{k}} (x_{ij}^{l\lambda})^{(*)} (g \cdot a_{i(\mathbf{k}+\mathbf{Q}_l)s}^\dagger) (\sigma_{ss'}^\lambda)^{(*)} (g \cdot a_{j\mathbf{k}s'}), \end{aligned} \quad (3-13)$$

where $A^{(*)}$ denotes the complex conjugation of a complex number A in the case of anti-unitary g which contains time reversal t . Note that

$$g \cdot H_K \equiv \sum_{\mathbf{k}} \sum_{i=1}^3 \sum_{s=1}^2 \{-t_{ii}(\mathbf{k}) - \mu\} (g \cdot a_{i\mathbf{k}s}^\dagger) (g \cdot a_{i\mathbf{k}s}) = H_K. \quad (3-14)$$

We define the isotropy subgroup $G(H_m)$ of H_m by

$$G(H_m) \equiv \{g \in G_0 \mid g \cdot H_m = H_m\}. \quad (3-15)$$

Actions of $g \in G_0$ on $\mathbf{R}^{l\lambda}$ are defined by

$$(g \cdot \mathbf{R}^{l\lambda})_{ij} = \frac{1}{2N} \sum_{\mathbf{k}} \sum_{s,s'=1}^2 \langle (g^{-1} \cdot a_{j(\mathbf{k}+\mathbf{Q}_l)s}^\dagger)(g^{-1} \cdot a_{i\mathbf{k}s'}) \rangle^{(*)} \sigma_{ss'}^\lambda. \quad (3-16)$$

In previous papers,^{11),19)} we have shown that for $g \in G(H_m)$

$$\langle (g \cdot a_{i\mathbf{k}s}^\dagger)(g \cdot a_{j\mathbf{k}'s'}) \rangle^{(*)} = \langle a_{i\mathbf{k}s}^\dagger a_{j\mathbf{k}'s'} \rangle. \quad (3-17)$$

Then we obtain for $g \in G(H_m)$

$$g \cdot \mathbf{R}^{l\lambda} = \mathbf{R}^{l\lambda}. \quad (3-18)$$

For subsequent uses we list explicit forms of G_0 actions. For $p \in \mathbf{D}_{4h}, T(\mathbf{m}) \in L_0, u(\mathbf{n}, \theta) \in \mathbf{S}, t \in \mathbf{R}$

$$\begin{aligned} p \cdot \mathbf{R}^{l\lambda} &= D(p) \mathbf{R}^{(p^{-1} \cdot l)\lambda} D^\dagger(p), \\ T(\mathbf{m}) \cdot \mathbf{R}^{l\lambda} &= e^{i\mathbf{Q}_l \cdot \mathbf{m}} \mathbf{R}^{l\lambda}, \\ u(\mathbf{n}, \theta) \cdot \mathbf{R}^{l0} &= \mathbf{R}^{l0}, \\ u(\mathbf{n}, \theta) \cdot \mathbf{R}^{l\lambda} &= \sum_{\lambda'=1}^3 R(\mathbf{n}, -\theta)_{\lambda'\lambda} \mathbf{R}^{l\lambda'}, \quad \lambda = 1, 2, 3, \\ t \cdot \mathbf{R}^{l0} &= (\mathbf{R}^{l0})^*, \\ t \cdot \mathbf{R}^{l\lambda} &= -(\mathbf{R}^{l\lambda})^*, \quad \lambda = 1, 2, 3, \end{aligned} \quad (3-19)$$

where $(p^{-1} \cdot l)$ is defined such that

$$\mathbf{Q}_{p^{-1} \cdot l} \equiv p^{-1} \cdot \mathbf{Q}_l, \quad (3-20)$$

and $R(\mathbf{n}, \theta)$ is the rotation matrix by θ radian around $\mathbf{n} = (n_1, n_2, n_3)$ axis in the three dimensional Euclid space and is given by^{19),20)}

$$R(u(\mathbf{n}, \theta)) = R(\mathbf{n}, -\theta) = \begin{pmatrix} \cos \theta + (1 - \cos \theta)n_1^2 & (1 - \cos \theta)n_1n_2 - n_3 \sin \theta & (1 - \cos \theta)n_1n_3 + n_2 \sin \theta \\ (1 - \cos \theta)n_1n_2 + n_3 \sin \theta & \cos \theta + (1 - \cos \theta)n_2^2 & (1 - \cos \theta)n_2n_3 - n_1 \sin \theta \\ (1 - \cos \theta)n_1n_3 - n_2 \sin \theta & (1 - \cos \theta)n_2n_3 + n_1 \sin \theta & \cos \theta + (1 - \cos \theta)n_3^2 \end{pmatrix}. \quad (3-21)$$

We define density matrices $\mathbf{D}^{ss'}(\mathbf{m}) = \{D_{ij}^{ss'}(i, j = 1, 2, 3, s, s' = 1, 2)\}$ at a site \mathbf{m} as follows:

$$D_{ij}^{ss'}(\mathbf{m}) = \langle a_{\mathbf{m}js'}^\dagger a_{\mathbf{m}is} \rangle. \quad (3-22)$$

Since for all states with ordering vectors \mathbf{Q}_l ($l = 0, 1, 2, 3$)

$$\langle a_{j\mathbf{k}'s'}^\dagger a_{i\mathbf{k}s} \rangle = 0, \text{ for } \mathbf{k}' \neq \mathbf{k} + \mathbf{Q}_l, \quad (3-23)$$

using (3-6) we obtain

$$\begin{aligned} D_{ij}^{ss'}(\mathbf{m}) &= \frac{1}{N} \sum_{\mathbf{k}, \mathbf{k}'} e^{-i\mathbf{k}' \cdot \mathbf{m}} e^{i\mathbf{k} \cdot \mathbf{m}} \langle a_{j\mathbf{k}'s'}^\dagger a_{i\mathbf{k}s} \rangle \\ &= \frac{1}{N} \sum_{\mathbf{k}} \sum_{l=0}^3 e^{-i\mathbf{Q}_l \cdot \mathbf{m}} \langle a_{j(\mathbf{k}+\mathbf{Q}_l)s'}^\dagger a_{i\mathbf{k}s} \rangle \\ &= \frac{1}{N} \sum_{\mathbf{k}} \sum_{l=0}^3 \sum_{\lambda=0}^3 e^{-i\mathbf{Q}_l \cdot \mathbf{m}} \sigma_{ss'}^\lambda \rho_{ij}^{l\lambda}(\mathbf{k}) \\ &= \sum_{l=0}^3 \sum_{\lambda=0}^3 e^{-i\mathbf{Q}_l \cdot \mathbf{m}} \sigma_{ss'}^\lambda R_{ij}^{l\lambda}. \end{aligned} \quad (3-24)$$

Thus we obtain

$$\mathbf{D}^{ss'}(\mathbf{m}) = \sum_{l=0}^3 \sum_{\lambda=0}^3 e^{-i\mathbf{Q}_l \cdot \mathbf{m}} \sigma_{ss'}^\lambda \mathbf{R}^{l\lambda}. \quad (3-25)$$

Then we obtain explicit expression of density matrices as follows:

$$\begin{aligned} \mathbf{D}^{\uparrow\uparrow}(\mathbf{m}) &= \sum_{l=0}^3 e^{-i\mathbf{Q}_l \cdot \mathbf{m}} (\mathbf{R}^{l0} + \mathbf{R}^{l3}), \\ \mathbf{D}^{\downarrow\downarrow}(\mathbf{m}) &= \sum_{l=0}^3 e^{-i\mathbf{Q}_l \cdot \mathbf{m}} (\mathbf{R}^{l0} - \mathbf{R}^{l3}), \\ \mathbf{D}^{\uparrow\downarrow}(\mathbf{m}) &= \sum_{l=0}^3 e^{-i\mathbf{Q}_l \cdot \mathbf{m}} (\mathbf{R}^{l1} - i\mathbf{R}^{l2}), \\ \mathbf{D}^{\downarrow\uparrow}(\mathbf{m}) &= \sum_{l=0}^3 e^{-i\mathbf{Q}_l \cdot \mathbf{m}} (\mathbf{R}^{l1} + i\mathbf{R}^{l2}). \end{aligned} \quad (3-26)$$

From (3-18) we can see that symmetry properties of density matrices $\mathbf{D}^{ss'}(\mathbf{m})$ are determined by $G(H_m)$.

Using notations

$$\begin{aligned} \mathbf{A}^\dagger(\mathbf{m}) &= \left(A_1^\dagger(\mathbf{m}), A_2^\dagger(\mathbf{m}), A_3^\dagger(\mathbf{m}), A_4^\dagger(\mathbf{m}), A_5^\dagger(\mathbf{m}), A_6^\dagger(\mathbf{m}) \right) \\ &\equiv \left(a_{\mathbf{m}1\uparrow}^\dagger, a_{\mathbf{m}2\uparrow}^\dagger, a_{\mathbf{m}3\uparrow}^\dagger, a_{\mathbf{m}1\downarrow}^\dagger, a_{\mathbf{m}2\downarrow}^\dagger, a_{\mathbf{m}3\downarrow}^\dagger \right), \end{aligned} \quad (3-27)$$

we define generalized density matrix $\mathcal{D}(\mathbf{m})$ whose (i, j) component is given by

$$\mathcal{D}_{ij}(\mathbf{m}) = \left\langle A_j^\dagger(\mathbf{m}) A_i(\mathbf{m}) \right\rangle. \quad (3-28)$$

From (3.22) we obtain

$$\mathcal{D}(\mathbf{m}) = \begin{pmatrix} \mathbf{D}^{\uparrow\uparrow}(\mathbf{m}) & \mathbf{D}^{\uparrow\downarrow}(\mathbf{m}) \\ \mathbf{D}^{\downarrow\uparrow}(\mathbf{m}) & \mathbf{D}^{\downarrow\downarrow}(\mathbf{m}) \end{pmatrix}. \quad (3.29)$$

The 6×6 Hermitian matrix $\mathcal{D}(\mathbf{m})$ is diagonalized by a unitary matrix \mathcal{U} as follows:

$$\mathcal{U}^\dagger \mathcal{D} \mathcal{U} = \begin{pmatrix} \lambda_1 & 0 & 0 & 0 & 0 & 0 \\ 0 & \lambda_2 & 0 & 0 & 0 & 0 \\ 0 & 0 & \lambda_3 & 0 & 0 & 0 \\ 0 & 0 & 0 & \lambda_4 & 0 & 0 \\ 0 & 0 & 0 & 0 & \lambda_5 & 0 \\ 0 & 0 & 0 & 0 & 0 & \lambda_6 \end{pmatrix}. \quad (3.30)$$

Defining $\mathbf{B}^\dagger(\mathbf{m}) = (B_1^\dagger(\mathbf{m}), B_2^\dagger(\mathbf{m}), B_3^\dagger(\mathbf{m}), B_4^\dagger(\mathbf{m}), B_5^\dagger(\mathbf{m}), B_6^\dagger(\mathbf{m}))$ by

$$\mathbf{B}^\dagger(\mathbf{m}) = \mathbf{A}^\dagger(\mathbf{m})\mathcal{U}, \quad \mathbf{B}(\mathbf{m}) = \mathcal{U}^\dagger \mathbf{A}(\mathbf{m}), \quad (3.31)$$

we obtain

$$\begin{aligned} \langle B_l^\dagger(\mathbf{m}) B_k(\mathbf{m}) \rangle &= \sum_{i,j=1}^6 \langle A_i^\dagger(\mathbf{m}) \mathcal{U}_{il} \mathcal{U}_{kj}^\dagger A_j(\mathbf{m}) \rangle \\ &= \sum_{i,j=1}^6 \mathcal{U}_{il} \langle A_i^\dagger(\mathbf{m}) A_j(\mathbf{m}) \rangle \mathcal{U}_{kj}^\dagger \\ &= \sum_{i,j=1}^6 \mathcal{U}_{kj}^\dagger \mathcal{D}(\mathbf{m})_{ji} \mathcal{U}_{il} = \delta_{kl} \lambda_l. \end{aligned} \quad (3.32)$$

Thus occupied spin orbitals ψ_l and their occupation numbers $n(\psi_l)$ are given by

$$\begin{aligned} \psi_l &= \sum_{i=1}^3 (\phi_i |\uparrow\rangle \mathcal{U}_{il} + \phi_i |\downarrow\rangle \mathcal{U}_{(i+3)l}), \\ n(\psi_l) &= \lambda_l. \end{aligned} \quad (3.33)$$

where $l = 1, \dots, 6$.

Here we present formulae for the local order parameter (LOP) at a site \mathbf{m} . The charge density at a site \mathbf{m} : $d(\mathbf{m})$ is expressed by

$$d(\mathbf{m}) = \sum_{j=1}^3 \sum_{ss'} \langle a_{\mathbf{m}js}^\dagger a_{\mathbf{m}js'} \rangle \sigma_{ss'}^0. \quad (3.34)$$

The λ th component of the spin density at the \mathbf{m} : $s^\lambda(\mathbf{m})$ is written as

$$s^\lambda(\mathbf{m}) = \frac{1}{2} \sum_{j=1}^3 \sum_{ss'} \langle a_{\mathbf{m}js}^\dagger a_{\mathbf{m}js'} \rangle \sigma_{ss'}^\lambda, \quad \lambda = 1, 2, 3. \quad (3.35)$$

The (i, j) component of the quadrupole moment at the site \mathbf{m} : $Q_{ij}(\mathbf{m})$ are written as

$$\begin{aligned}
Q_{11}(\mathbf{m}) &= I_1 \sum_{s,s'=1}^2 \left(2\langle a_{\mathbf{m}1s}^\dagger a_{\mathbf{m}1s'} \rangle - \langle a_{\mathbf{m}2s}^\dagger a_{\mathbf{m}2s'} \rangle - \langle a_{\mathbf{m}3s}^\dagger a_{\mathbf{m}3s'} \rangle \right) \sigma_{ss'}^0 \\
Q_{22}(\mathbf{m}) &= I_1 \sum_{s,s'=1}^2 \left(-\langle a_{\mathbf{m}1s}^\dagger a_{\mathbf{m}1s'} \rangle + 2\langle a_{\mathbf{m}2s}^\dagger a_{\mathbf{m}2s'} \rangle - \langle a_{\mathbf{m}3s}^\dagger a_{\mathbf{m}3s'} \rangle \right) \sigma_{ss'}^0 \\
Q_{33}(\mathbf{m}) &= I_1 \sum_{s,s'=1}^2 \left(-\langle a_{\mathbf{m}1s}^\dagger a_{\mathbf{m}1s'} \rangle - \langle a_{\mathbf{m}2s}^\dagger a_{\mathbf{m}2s'} \rangle + 2\langle a_{\mathbf{m}3s}^\dagger a_{\mathbf{m}3s'} \rangle \right) \sigma_{ss'}^0 \\
Q_{ij}(\mathbf{m}) &= I_2 \sum_{ss'} \langle a_{\mathbf{m}is}^\dagger a_{\mathbf{m}js'} + a_{\mathbf{m}js}^\dagger a_{\mathbf{m}is'} \rangle \sigma_{ss'}^0, \quad i \neq j,
\end{aligned} \tag{3.36}$$

where

$$\begin{aligned}
I_1 &= \int d\mathbf{r} \phi_1(\mathbf{r})(x^2 - y^2)\phi_1(\mathbf{r}), \\
I_2 &= 3 \int d\mathbf{r} \phi_1(\mathbf{r})xy\phi_2(\mathbf{r}).
\end{aligned} \tag{3.37}$$

The derivation of (3.36) is given in Appendix A.

The (i, j) component of the *spin-quadrupole moment* at the site \mathbf{m} : $Q_{ij}^\lambda(\mathbf{m})$ are defined by, for $\lambda = 1, 2, 3$,

$$\begin{aligned}
Q_{11}^\lambda(\mathbf{m}) &= \frac{1}{2} I_1 \sum_{s,s'=1}^2 \left(2\langle a_{\mathbf{m}1s}^\dagger a_{\mathbf{m}1s'} \rangle - \langle a_{\mathbf{m}2s}^\dagger a_{\mathbf{m}2s'} \rangle - \langle a_{\mathbf{m}3s}^\dagger a_{\mathbf{m}3s'} \rangle \right) \sigma_{ss'}^\lambda, \\
Q_{22}^\lambda(\mathbf{m}) &= \frac{1}{2} I_1 \sum_{s,s'=1}^2 \left(-\langle a_{\mathbf{m}1s}^\dagger a_{\mathbf{m}1s'} \rangle + 2\langle a_{\mathbf{m}2s}^\dagger a_{\mathbf{m}2s'} \rangle - \langle a_{\mathbf{m}3s}^\dagger a_{\mathbf{m}3s'} \rangle \right) \sigma_{ss'}^\lambda, \\
Q_{33}^\lambda(\mathbf{m}) &= \frac{1}{2} I_1 \sum_{s,s'=1}^2 \left(-\langle a_{\mathbf{m}1s}^\dagger a_{\mathbf{m}1s'} \rangle - \langle a_{\mathbf{m}2s}^\dagger a_{\mathbf{m}2s'} \rangle + 2\langle a_{\mathbf{m}3s}^\dagger a_{\mathbf{m}3s'} \rangle \right) \sigma_{ss'}^\lambda, \\
Q_{ij}^\lambda(\mathbf{m}) &= \frac{I_2}{2} \sum_{ss'} \langle a_{\mathbf{m}is}^\dagger a_{\mathbf{m}js'} + a_{\mathbf{m}js}^\dagger a_{\mathbf{m}is'} \rangle \sigma_{ss'}^\lambda, \quad i \neq j, \lambda = 1, 2, 3.
\end{aligned} \tag{3.38}$$

This type of order parameter has been treated in a paper by Shiina, Nishitani and Shiba²¹⁾ as the coupled orbital and spin moment in the case of the superexchange model of e_g orbital.

In our system with tetragonal symmetry we use $Q_2^2(\mathbf{m})$ and $Q_2^{2\lambda}(\mathbf{m})$ instead of Q_{ii} and $Q_{ii}^\lambda (i = 1, 2, 3)$, where

$$\begin{aligned}
Q_2^2(\mathbf{m}) &= \frac{1}{3}(Q_{11} - Q_{22}) = I_1 \sum_{ss'=1}^2 \left(\langle a_{\mathbf{m}1s}^\dagger a_{\mathbf{m}1s'} \rangle - \langle a_{\mathbf{m}2s}^\dagger a_{\mathbf{m}2s'} \rangle \right) \sigma_{ss'}^0, \\
Q_2^{2\lambda}(\mathbf{m}) &= \frac{1}{3}(Q_{11}^\lambda - Q_{22}^\lambda) = \frac{I_1}{2} \sum_{ss'=1}^2 \left(\langle a_{\mathbf{m}1s}^\dagger a_{\mathbf{m}1s'} \rangle - \langle a_{\mathbf{m}2s}^\dagger a_{\mathbf{m}2s'} \rangle \right) \sigma_{ss'}^\lambda.
\end{aligned} \tag{3.39}$$

The i -th component ($i = 1, 2, 3$) of the orbital angular momentum at the site \mathbf{m} : $l_i(\mathbf{m})$ are written as

$$\begin{aligned} l_1(\mathbf{m}) &= \sum_{ss'} \left(i \langle a_{\mathbf{m}2s}^\dagger a_{\mathbf{m}3s'} \rangle - i \langle a_{\mathbf{m}3s}^\dagger a_{\mathbf{m}2s'} \rangle \right) \sigma_{ss'}^0, \\ l_2(\mathbf{m}) &= \sum_{ss'} \left(i \langle a_{\mathbf{m}3s}^\dagger a_{\mathbf{m}1s'} \rangle - i \langle a_{\mathbf{m}1s}^\dagger a_{\mathbf{m}3s'} \rangle \right) \sigma_{ss'}^0, \\ l_3(\mathbf{m}) &= \sum_{ss'} \left(i \langle a_{\mathbf{m}1s}^\dagger a_{\mathbf{m}2s'} \rangle - i \langle a_{\mathbf{m}2s}^\dagger a_{\mathbf{m}1s'} \rangle \right) \sigma_{ss'}^0. \end{aligned} \quad (3.40)$$

The derivation of (3.40) is given in Appendix B.

The i -th component ($i = 1, 2, 3$) of the *spin-orbital angular momentum* at the site \mathbf{m} : $l_i^\lambda(\mathbf{m})$ are defined by, for $\lambda = 1, 2, 3$,

$$\begin{aligned} l_1^\lambda(\mathbf{m}) &= \frac{1}{2} \sum_{ss'} \left(i \langle a_{\mathbf{m}2s}^\dagger a_{\mathbf{m}3s'} \rangle - i \langle a_{\mathbf{m}3s}^\dagger a_{\mathbf{m}2s'} \rangle \right) \sigma_{ss'}^\lambda, \\ l_2^\lambda(\mathbf{m}) &= \frac{1}{2} \sum_{ss'} \left(i \langle a_{\mathbf{m}3s}^\dagger a_{\mathbf{m}1s'} \rangle - i \langle a_{\mathbf{m}1s}^\dagger a_{\mathbf{m}3s'} \rangle \right) \sigma_{ss'}^\lambda, \\ l_3^\lambda(\mathbf{m}) &= \frac{1}{2} \sum_{ss'} \left(i \langle a_{\mathbf{m}1s}^\dagger a_{\mathbf{m}2s'} \rangle - i \langle a_{\mathbf{m}2s}^\dagger a_{\mathbf{m}1s'} \rangle \right) \sigma_{ss'}^\lambda. \end{aligned} \quad (3.41)$$

Here we express these local order parameters in terms of $\mathbf{R}^{l\lambda}$. Using (3.22) and (3.25) we obtain

$$\sum_{ss'} \langle a_{\mathbf{m}js}^\dagger a_{\mathbf{m}is'} \rangle \sigma_{ss'}^\lambda = 2 \sum_{l=0}^3 e^{-i\mathbf{Q}_l \cdot \mathbf{m}} R_{ij}^{l\lambda}. \quad (3.42)$$

From (3.42), we obtain

$$\begin{aligned} d(\mathbf{m}) &= 2 \sum_{l=0}^3 \sum_{j=1}^3 e^{-i\mathbf{Q}_l \cdot \mathbf{m}} R_{jj}^{l0} \\ s^\lambda(\mathbf{m}) &= \sum_{l=0}^3 \sum_{j=1}^3 e^{-i\mathbf{Q}_l \cdot \mathbf{m}} R_{jj}^{l\lambda}, \\ Q_2^2(\mathbf{m}) &= 2I_1 \sum_{l=0}^3 e^{-i\mathbf{Q}_l \cdot \mathbf{m}} \left(R_{11}^{l0} - R_{22}^{l0} \right) \\ Q_{ij}(\mathbf{m}) &= 2I_2 \sum_{l=0}^3 e^{-i\mathbf{Q}_l \cdot \mathbf{m}} \left(R_{ij}^{l0} + R_{ji}^{l0} \right), \quad i \neq j, \\ Q_2^{2\lambda}(\mathbf{m}) &= I_1 \sum_{l=0}^3 e^{-i\mathbf{Q}_l \cdot \mathbf{m}} \left(R_{11}^{l\lambda} - R_{22}^{l\lambda} \right) \\ Q_{ij}^\lambda(\mathbf{m}) &= I_2 \sum_{l=0}^3 e^{-i\mathbf{Q}_l \cdot \mathbf{m}} \left(R_{ij}^{l\lambda} + R_{ji}^{l\lambda} \right), \quad i \neq j, \end{aligned}$$

$$\begin{aligned}
l_1(\mathbf{m}) &= 2 \sum_{l=0}^3 e^{-i\mathbf{Q}_l \cdot \mathbf{m}}(-i)(R_{23}^{l0} - R_{32}^{l0}), & l_1^\lambda(\mathbf{m}) &= \sum_{l=0}^3 e^{-i\mathbf{Q}_l \cdot \mathbf{m}}(-i)(R_{23}^{l\lambda} - R_{32}^{l\lambda}), \\
l_2(\mathbf{m}) &= 2 \sum_{l=0}^3 e^{-i\mathbf{Q}_l \cdot \mathbf{m}}(-i)(R_{31}^{l0} - R_{13}^{l0}), & l_2^\lambda(\mathbf{m}) &= \sum_{l=0}^3 e^{-i\mathbf{Q}_l \cdot \mathbf{m}}(-i)(R_{31}^{l\lambda} - R_{13}^{l\lambda}), \\
l_3(\mathbf{m}) &= 2 \sum_{l=0}^3 e^{-i\mathbf{Q}_l \cdot \mathbf{m}}(-i)(R_{12}^{l0} - R_{21}^{l0}), & l_3^\lambda(\mathbf{m}) &= \sum_{l=0}^3 e^{-i\mathbf{Q}_l \cdot \mathbf{m}}(-i)(R_{12}^{l\lambda} - R_{21}^{l\lambda}).
\end{aligned} \tag{3.43}$$

Here we give the physical meanings of Q_{ij}^λ and l_j^λ ($i, j, \lambda = 1, 2, 3$). As an example we consider the case of Q_{12}^3 and l_1^3 . The quadrupole moment $Q_{12}^\uparrow(\mathbf{m})(Q_{12}^\downarrow(\mathbf{m}))$ by the up spin (down spin) electrons at the site \mathbf{m} is written as

$$\begin{aligned}
Q_{12}^\uparrow(\mathbf{m}) &= I_2 \left\langle a_{\mathbf{m}1\uparrow}^\dagger a_{\mathbf{m}2\uparrow} + a_{\mathbf{m}2\uparrow}^\dagger a_{\mathbf{m}1\uparrow} \right\rangle, \\
Q_{12}^\downarrow(\mathbf{m}) &= I_2 \left\langle a_{\mathbf{m}1\downarrow}^\dagger a_{\mathbf{m}2\downarrow} + a_{\mathbf{m}2\downarrow}^\dagger a_{\mathbf{m}1\downarrow} \right\rangle.
\end{aligned} \tag{3.44}$$

Thus we obtain

$$\begin{aligned}
Q_{12}(\mathbf{m}) &= Q_{12}^\uparrow(\mathbf{m}) + Q_{12}^\downarrow(\mathbf{m}), \\
Q_{12}^3(\mathbf{m}) &= \frac{1}{2} \left(Q_{12}^\uparrow(\mathbf{m}) - Q_{12}^\downarrow(\mathbf{m}) \right).
\end{aligned} \tag{3.45}$$

Then we obtain

$$\begin{aligned}
Q_{12}^\uparrow(\mathbf{m}) &= \frac{1}{2} \left(Q_{12}(\mathbf{m}) + 2Q_{12}^3(\mathbf{m}) \right), \\
Q_{12}^\downarrow(\mathbf{m}) &= \frac{1}{2} \left(Q_{12}(\mathbf{m}) - 2Q_{12}^3(\mathbf{m}) \right).
\end{aligned} \tag{3.46}$$

From (3.46) the existence of $Q_{12}^3(\mathbf{m})$ implies the *different quadrupole moment for different spin*.

The orbital angular momentum $l_1^\uparrow(\mathbf{m})(l_1^\downarrow(\mathbf{m}))$ by the up spin (down spin) electrons at the site \mathbf{m} is written as

$$\begin{aligned}
l_1^\uparrow(\mathbf{m}) &= i \left\langle a_{\mathbf{m}2\uparrow}^\dagger a_{\mathbf{m}3\uparrow} - a_{\mathbf{m}3\uparrow}^\dagger a_{\mathbf{m}2\uparrow} \right\rangle, \\
l_1^\downarrow(\mathbf{m}) &= i \left\langle a_{\mathbf{m}2\downarrow}^\dagger a_{\mathbf{m}3\downarrow} - a_{\mathbf{m}3\downarrow}^\dagger a_{\mathbf{m}2\downarrow} \right\rangle.
\end{aligned} \tag{3.47}$$

Thus we obtain

$$\begin{aligned}
l_1^\uparrow(\mathbf{m}) &= \frac{1}{2} \left(l_1(\mathbf{m}) + 2l_1^3(\mathbf{m}) \right), \\
l_1^\downarrow(\mathbf{m}) &= \frac{1}{2} \left(l_1(\mathbf{m}) - 2l_1^3(\mathbf{m}) \right).
\end{aligned} \tag{3.48}$$

Thus the existence of $l_1^3(\mathbf{m})$ implies the *different orbital angular momentum for different spin*. We note that other $Q_{ij}^\lambda(\mathbf{m})$ and $l_j^\lambda(\mathbf{m})$ have physical meanings similar to the above cases.

§4. R-reps of G_0 in W_{HF}

First we give some notations and definitions in reference to the group theory. We denote an R-rep of a group G as \check{G}^γ where γ labels an R-rep. Let $d^\gamma(g)$ be the R-rep matrix of \check{G}^γ corresponding to $g \in G$ and $W(\check{G}^\gamma)$ be the representation space of \check{G}^γ spanned by $(l_1^\gamma, l_2^\gamma, \dots, l_n^\gamma)$ over the real number field:

$$W(\check{G}^\gamma) = \{l_1^\gamma, l_2^\gamma, \dots, l_n^\gamma\}_{\mathbf{R}}. \quad (4.1)$$

Then for $g \in G$

$$g \cdot l_i^\gamma = \sum_{i'=1}^n d^\gamma(g)_{i'i} l_{i'}^\gamma. \quad (4.2)$$

Using real numbers $x_i (i = 1, 2, \dots, n)$, a vector $\mathbf{v} \in W(\check{G}^\gamma)$ is written as follows

$$\mathbf{v} = \sum_{i=1}^n x_i l_i^\gamma. \quad (4.3)$$

The *isotropy subgroup* $\Sigma(\mathbf{v})$ of $\mathbf{v} \in W(\check{G}^\gamma)$ is

$$\Sigma(\mathbf{v}) = \{g \in G \mid g \cdot \mathbf{v} = \mathbf{v}\}. \quad (4.4)$$

Let $H \subset G_0$ be a subgroup of G_0 . The *fixed-point subspace* of H in $W(\check{G}^\gamma)$ is

$$\text{Fix}^\gamma(H) = \{\mathbf{v} \in W(\check{G}^\gamma) \mid g \cdot \mathbf{v} = \mathbf{v} \text{ for all } g \in H\}. \quad (4.5)$$

An isotropy subgroup with one-dimensional fixed-point subspace is called an *axial isotropy subgroup*.¹⁷⁾

According to group theoretical analysis of the HF equation,^{9),11),13),19)} instabilities of a HF solution (characterized by HF Hamiltonian H_m) is labeled by R-reps of the isotropy subgroup of H_m .

Using the *equivariant branching lemma*¹⁶⁾ in the group theoretical bifurcation theory,^{15),16),18)} we can show^{9),13)} that if an instability of a HF solution characterized by an R-rep \check{G}_0^γ occurs, there always exists a branch of a HF solution which bifurcates through the instability and has the axial isotropic subgroup in $W(\check{G}_0^\gamma)$. Thus we can enumerate broken symmetry states bifurcating from the normal paramagnetic state by listing axial isotropy subgroups of each R-rep \check{G}_0 of G_0 .

Since we consider HF solutions with three types of ordering vectors, Γ point: $\mathbf{Q}_0 = (0, 0)$, M point: $\mathbf{Q}_1(\pi, \pi)$ and X point: $\{\mathbf{Q}_2 = (\pi, 0), \mathbf{Q}_3 = (0, \pi)\}$, we present R-reps of G_0 in the representation space W_{HF} with ordering vectors \mathbf{Q}_i , ($i = 0, 1, 2, 3$). An R-rep of $G_0 = \mathbf{P} \times \mathbf{S} \times \mathbf{R}$ in W_{HF} is written as Kronecker products of R-reps of \mathbf{P} , \mathbf{S} and \mathbf{R} as follows.

$$\check{G}_0 = \check{\mathbf{P}} \otimes \check{\mathbf{S}} \otimes \check{\mathbf{R}}. \quad (4.6)$$

Thus relevant R-reps of G_0 in W_{HF} are written as

$$\begin{aligned}\check{G}_0^{(\Gamma j, \mu, \nu)} &= \check{\mathbf{P}}^{(\Gamma j)} \otimes \check{\mathbf{S}}^{(\mu)} \otimes \check{\mathbf{R}}^{(\nu)}, \\ \check{G}_0^{(Mj, \mu, \nu)} &= \check{\mathbf{P}}^{(Mj)} \otimes \check{\mathbf{S}}^{(\mu)} \otimes \check{\mathbf{R}}^{(\nu)}, \\ \check{G}_0^{(X\gamma, \mu, \nu)} &= \check{\mathbf{P}}^{(X\gamma)} \otimes \check{\mathbf{S}}^{(\mu)} \otimes \check{\mathbf{R}}^{(\nu)},\end{aligned}\quad (4.7)$$

where $\check{\mathbf{S}}^0$ is the identity representation and $\check{\mathbf{S}}^1$ is a three dimensional R-rep of \mathbf{S} written as

$$\check{\mathbf{S}}^{(1)}(u(\mathbf{n}, \theta)) = R(u(\mathbf{n}, \theta)), \quad (4.8)$$

where $R(u(\mathbf{n}, \theta))$ is the three-dimensional rotation matrix defined in (3.21), $\check{\mathbf{R}}^{(0)}$ is the identity representation and $\check{\mathbf{R}}^{(1)}$ is a one-dimensional representation such that

$$\check{\mathbf{R}}^{(1)}(E) = 1, \quad \check{\mathbf{R}}^{(1)}(t) = -1. \quad (4.9)$$

$\check{\mathbf{P}}^{(\Gamma j)}$ ($\check{\mathbf{P}}^{(Mj)}$) are R-reps of \mathbf{P} with ordering vector $\mathbf{Q}_0 = (0, 0)$ ($\mathbf{Q}_1 = (\pi, \pi)$) and j is the label of R-rep of the little co-group \mathbf{D}_{4h} of \mathbf{Q}_0 (\mathbf{Q}_1), that is, $j = A_{1g}, A_{2g}, B_{1g}, A_{2g}, E_g$ *). The Rep $\check{\mathbf{P}}^{(X\gamma)}$ are R-reps of \mathbf{P} with ordering vector $\mathbf{Q}_2 = (\pi, 0)$ and γ is the label of the R-rep of the little co-group \mathbf{D}_{2h} of \mathbf{Q}_2 , that is, $\gamma = A_g, B_{1g}, B_{2g}, B_{3g}$. The R-rep matrices of $\check{\mathbf{P}}^{(\Gamma j)}$, $\check{\mathbf{P}}^{(Mj)}$ and $\check{\mathbf{P}}^{(X\gamma)}$ are given in Table II.

In Table III and Table IV we list bases in W_{HF} of $\check{G}_0^{(\Gamma j, \mu, \nu)}$, $\check{G}_0^{(Mj, \mu, \nu)}$ and $\check{G}_0^{(Xj, \mu, \nu)}$. Then bases $h(\Lambda, \mu, \nu)_{m, \lambda, 1}$ of $\check{\mathbf{P}}^{(\Lambda)} \otimes \check{\mathbf{S}}^{(\mu)} \otimes \check{\mathbf{R}}^{(\nu)}$ transform as follows for $p \in \mathbf{D}_{4h}$, $T(\mathbf{m}) \in \mathbf{L}_0$, $u(\mathbf{n}, \theta) \in \mathbf{S}$ and $r \in \mathbf{R}$

$$\begin{aligned}pT(\mathbf{m})u(\mathbf{n}, \theta)r \cdot h(\Lambda, \mu, \nu)_{m, \lambda, 1} \\ = \sum_{m'=1}^{|\Lambda|} \sum_{\lambda'=1}^{|\mu|} \check{\mathbf{P}}_{m'm}^{(\Lambda)}(pT(\mathbf{m})) \check{\mathbf{S}}_{\lambda'\lambda}^{(\mu)}(u(\mathbf{n}, \theta)) \check{\mathbf{R}}^{(\nu)}(r) h(\Lambda, \mu, \nu)_{m', \lambda', 1},\end{aligned}\quad (4.10)$$

where $|\Lambda|$ denotes the dimension of a R-rep Λ .

In the following sections we show that R-reps $\check{G}_0^{(\Lambda, 0, 0)}$ ($\lambda \neq \Gamma A_{1g}, MA_{1g}, XA_g$) derive states with quadrupole moment, R-reps $\check{G}_0^{(\Lambda, 0, 1)}$, in which the time reversal symmetry is broken, derive states with orbital angular momentum, R-reps $\check{G}_0^{(\Lambda, 1, 1)}$ ($\Lambda \neq \Gamma A_{1g}, MA_{1g}, XA_g$) derive states with spin quadrupole moment, and R-reps $\check{G}_0^{(\Lambda, 1, 0)}$, which hold the time reversal symmetry, derive states with spin orbital angular momentum.

§5. Symmetry classes of non magnetic orbital ordered states.

In this section we consider broken symmetry states derived from R-reps $\check{G}_0^{(\Gamma j, 0, \nu)}$, $\check{G}_0^{(Mj, 0, \nu)}$ and $\check{G}_0^{(X\gamma, 0, \nu)}$, which hold spin rotation symmetry \mathbf{S} . In order to list non

*) The HF Hamiltonian space W_{HF} is spanned by only gerade(even) bases.

Table II. R-rep matrices of \mathbf{P} , \mathbf{S} and \mathbf{R}

group	R – rep matrix		
\mathbf{P}	$\check{\mathbf{P}}^{(\Gamma_j)}(pT(\mathbf{m}))$	$= D^{(j)}(p)$	$p \in \mathbf{D}_{4h}$
	$\check{\mathbf{P}}^{(M_j)}(pT(\mathbf{m}))$	$= D^{(j)}(p)e^{-i\mathbf{Q}_1 \cdot \mathbf{m}}$	$p \in \mathbf{D}_{4h}$
	$\check{\mathbf{P}}^{(X\gamma)}(pT(\mathbf{m}))$	$= \begin{pmatrix} \chi^{(\gamma)}(p)e^{-i\mathbf{Q}_2 \cdot \mathbf{m}} & 0 \\ 0 & \chi^{(\gamma)}(C_{2a}pC_{2a})e^{-i\mathbf{Q}_3 \cdot \mathbf{m}} \end{pmatrix}$	$p \in \mathbf{D}_{2h}$
	$\check{\mathbf{P}}^{(X\gamma)}(C_{2a}pT(\mathbf{m}))$	$= \begin{pmatrix} 0 & \chi^{(\gamma)}(C_{2a}pC_{2a})e^{-i\mathbf{Q}_3 \cdot \mathbf{m}} \\ \chi^{(\gamma)}(p)e^{-i\mathbf{Q}_2 \cdot \mathbf{m}} & 0 \end{pmatrix}$	$p \in \mathbf{D}_{2h}$
\mathbf{S}	$\check{\mathbf{S}}^{(0)}(u(\mathbf{n}, \theta))$	$= 1$	$u(\mathbf{n}, \theta) \in \mathbf{S}$
	$\check{\mathbf{S}}^{(1)}(u(\mathbf{n}, \theta))$	$= R(u(\mathbf{n}, \theta))$	
\mathbf{R}	$\check{\mathbf{R}}^{(0)}(t)$	$= 1$	$t \in \mathbf{R}$
	$\check{\mathbf{R}}^{(1)}(t)$	$= -1$	

(1) $T(\mathbf{m}) \in \mathbf{L}_0 = \mathbf{L}(e_1, e_2)$
 (2) $D^{(j)}$ = an R-rep matrix of \mathbf{D}_{4h}
 (3) $\chi^{(\gamma)}(p)$ = an R-rep matrix of \mathbf{D}_{2h}
 (4) $R(u(\mathbf{n}, \theta))$ = the matrix defined in (3.21)

magnetic ordered states with ordering vectors \mathbf{Q}_l ($l = 0, 1, 2, 3$) bifurcating from the normal state, we present the axial isotropy subgroups of the R-reps $\check{G}_0^{(\Gamma_j, 0, \nu)}$, $\check{G}_0^{(M_j, 0, \nu)}$ and $\check{G}_0^{(X\gamma, 0, \nu)}$. The axial isotropy subgroups of R-reps $\check{G}_0^{(\Gamma_j, 0, \nu)}$ and $\check{G}_0^{(M_j, 0, \nu)}$ are listed in Table V. The axial isotropy subgroups of $\check{G}_0^{(X\gamma, 0, \nu)}$ are listed in Table VI.

All isotropy subgroups in Table V and VI contain \mathbf{S} . Thus from \mathbf{S} invariance of $\mathbf{R}^{l\mu}$, only \mathbf{R}^{l0} are non-zero. From (3.26) the density matrix is given by

$$\mathbf{D}(\mathbf{m}) = \mathbf{D}^{\uparrow\uparrow}(\mathbf{m}) = \mathbf{D}^{\downarrow\downarrow}(\mathbf{m}) = \sum_{l=0}^3 e^{-i\mathbf{Q}_l \cdot \mathbf{m}} \mathbf{R}^{l0}. \quad (5.1)$$

Since the \mathbf{R}^{l0} is an Hermitian matrix, $\mathbf{D}(\mathbf{m})$ is diagonalized by a unitary matrix U as

$$U^\dagger \mathbf{D}(\mathbf{m}) U = \boldsymbol{\lambda},$$

$$\boldsymbol{\lambda} = \begin{pmatrix} \lambda_1 & 0 & 0 \\ 0 & \lambda_2 & 0 \\ 0 & 0 & \lambda_3 \end{pmatrix}. \quad (5.2)$$

We define

$$\mathbf{A}_{\mathbf{m}s}^\dagger = (a_{\mathbf{m}1s}^\dagger, a_{\mathbf{m}2s}^\dagger, a_{\mathbf{m}3s}^\dagger),$$

$$\boldsymbol{\alpha}_{\mathbf{m}s}^\dagger = (\alpha_{\mathbf{m}1s}^\dagger, \alpha_{\mathbf{m}2s}^\dagger, \alpha_{\mathbf{m}2s}^\dagger) \equiv \mathbf{A}_{\mathbf{m}s}^\dagger U. \quad (5.3)$$

Table III. Bases of $\check{G}_0^{(\Gamma^j, \mu, \nu)}$ and $\check{G}_0^{(M^j, \mu, \nu)}$ in W_{HF}

R – rep	Bases in W_{HF}
$\check{G}_0^{(\Gamma A_{1g}, \mu, \mu)}$	$h(\Gamma A_{1g}^1, \mu, \mu)_{1, n(\lambda), 1} = \sum_{\mathbf{k}} \sum_{ss'} (a_{1\mathbf{k}_s}^\dagger a_{1\mathbf{k}_{s'}} + a_{2\mathbf{k}_s}^\dagger a_{2\mathbf{k}_{s'}}) \sigma_{ss'}^\lambda$ $h(\Gamma A_{1g}^2, \mu, \mu)_{1, n(\lambda), 1} = \sum_{\mathbf{k}} \sum_{ss'} a_{3\mathbf{k}_s}^\dagger a_{3\mathbf{k}_{s'}} \sigma_{ss'}^\lambda$
$\check{G}_0^{(\Gamma A_{2g}, \mu, 1-\mu)}$	$h(\Gamma A_{2g}, \mu, 1-\mu)_{1, n(\lambda), 1} = \sum_{\mathbf{k}} \sum_{ss'} (i a_{1\mathbf{k}_s}^\dagger a_{2\mathbf{k}_{s'}} - i a_{2\mathbf{k}_s}^\dagger a_{1\mathbf{k}_{s'}}) \sigma_{ss'}^\lambda$
$\check{G}_0^{(\Gamma B_{1g}, \mu, \mu)}$	$h(\Gamma B_{1g}, \mu, \mu)_{1, n(\lambda), 1} = \sum_{\mathbf{k}} \sum_{ss'} (a_{1\mathbf{k}_s}^\dagger a_{1\mathbf{k}_{s'}} - a_{2\mathbf{k}_s}^\dagger a_{2\mathbf{k}_{s'}}) \sigma_{ss'}^\lambda$
$\check{G}_0^{(\Gamma B_{2g}, \mu, \mu)}$	$h(\Gamma B_{2g}, \mu, \mu)_{1, n(\lambda), 1} = \sum_{\mathbf{k}} \sum_{ss'} (a_{1\mathbf{k}_s}^\dagger a_{2\mathbf{k}_{s'}} + a_{2\mathbf{k}_s}^\dagger a_{1\mathbf{k}_{s'}}) \sigma_{ss'}^\lambda$
$\check{G}_0^{(\Gamma E_g, \mu, \mu)}$	$\begin{cases} h(\Gamma E_g, \mu, \mu)_{1, n(\lambda), 1} = \sum_{\mathbf{k}} \sum_{ss'} (a_{2\mathbf{k}_s}^\dagger a_{3\mathbf{k}_{s'}} + a_{3\mathbf{k}_s}^\dagger a_{2\mathbf{k}_{s'}}) \sigma_{ss'}^\lambda \\ h(\Gamma E_g, \mu, \mu)_{2, n(\lambda), 1} = \sum_{\mathbf{k}} \sum_{ss'} (a_{1\mathbf{k}_s}^\dagger a_{3\mathbf{k}_{s'}} + a_{3\mathbf{k}_s}^\dagger a_{1\mathbf{k}_{s'}}) \sigma_{ss'}^\lambda \end{cases}$
$\check{G}_0^{(\Gamma E_g, \mu, 1-\mu)}$	$\begin{cases} h(\Gamma E_g, \mu, 1-\mu)_{1, n(\lambda), 1} = \sum_{\mathbf{k}} \sum_{ss'} i (a_{2\mathbf{k}_s}^\dagger a_{3\mathbf{k}_{s'}} - a_{3\mathbf{k}_s}^\dagger a_{2\mathbf{k}_{s'}}) \sigma_{ss'}^\lambda \\ h(\Gamma E_g, \mu, 1-\mu)_{2, n(\lambda), 1} = \sum_{\mathbf{k}} \sum_{ss'} i (a_{1\mathbf{k}_s}^\dagger a_{3\mathbf{k}_{s'}} - a_{3\mathbf{k}_s}^\dagger a_{1\mathbf{k}_{s'}}) \sigma_{ss'}^\lambda \end{cases}$
$\check{G}_0^{(MA_{1g}, \mu, \mu)}$	$h(MA_{1g}^1, \mu, \mu)_{1, n(\lambda), 1} = \sum_{\mathbf{k}} \sum_{ss'} (a_{1(\mathbf{k}+\mathbf{Q}_{1s})}^\dagger a_{1\mathbf{k}_{s'}} + a_{2(\mathbf{k}+\mathbf{Q}_{1s})}^\dagger a_{2\mathbf{k}_{s'}}) \sigma_{ss'}^\lambda$ $h(MA_{1g}^2, \mu, \mu)_{1, n(\lambda), 1} = \sum_{\mathbf{k}} \sum_{ss'} a_{3(\mathbf{k}+\mathbf{Q}_{1s})}^\dagger a_{3\mathbf{k}_{s'}} \sigma_{ss'}^\lambda$
$\check{G}_0^{(MA_{2g}, \mu, 1-\mu)}$	$h(MA_{2g}, \mu, 1-\mu)_{1, n(\lambda), 1} = \sum_{\mathbf{k}} \sum_{ss'} i (a_{1(\mathbf{k}+\mathbf{Q}_{1s})}^\dagger a_{2\mathbf{k}_{s'}} - a_{2(\mathbf{k}+\mathbf{Q}_{1s})}^\dagger a_{1\mathbf{k}_{s'}}) \sigma_{ss'}^\lambda$
$\check{G}_0^{(MB_{1g}, \mu, \mu)}$	$h(MB_{1g}, \mu, \mu)_{1, n(\lambda), 1} = \sum_{\mathbf{k}} \sum_{ss'} (a_{1(\mathbf{k}+\mathbf{Q}_{1s})}^\dagger a_{1\mathbf{k}_{s'}} - a_{2(\mathbf{k}+\mathbf{Q}_{1s})}^\dagger a_{2\mathbf{k}_{s'}}) \sigma_{ss'}^\lambda$
$\check{G}_0^{(MB_{2g}, \mu, \mu)}$	$h(MB_{2g}, \mu, \mu)_{1, n(\lambda), 1} = \sum_{\mathbf{k}} \sum_{ss'} (a_{1(\mathbf{k}+\mathbf{Q}_{1s})}^\dagger a_{2\mathbf{k}_{s'}} + a_{2(\mathbf{k}+\mathbf{Q}_{1s})}^\dagger a_{1\mathbf{k}_{s'}}) \sigma_{ss'}^\lambda$
$\check{G}_0^{(ME_g, \mu, \mu)}$	$\begin{cases} h(ME_g, \mu, \mu)_{1, n(\lambda), 1} = \sum_{\mathbf{k}} \sum_{ss'} (a_{2(\mathbf{k}+\mathbf{Q}_{1s})}^\dagger a_{3\mathbf{k}_{s'}} + a_{3(\mathbf{k}+\mathbf{Q}_{1s})}^\dagger a_{2\mathbf{k}_{s'}}) \sigma_{ss'}^\lambda \\ h(ME_g, \mu, \mu)_{2, n(\lambda), 1} = \sum_{\mathbf{k}} \sum_{ss'} (a_{1(\mathbf{k}+\mathbf{Q}_{1s})}^\dagger a_{3\mathbf{k}_{s'}} + a_{3(\mathbf{k}+\mathbf{Q}_{1s})}^\dagger a_{1\mathbf{k}_{s'}}) \sigma_{ss'}^\lambda \end{cases}$
$\check{G}_0^{(ME_g, \mu, 1-\mu)}$	$\begin{cases} h(ME_g, \mu, 1-\mu)_{1, n(\lambda), 1} = \sum_{\mathbf{k}} \sum_{ss'} i (a_{2(\mathbf{k}+\mathbf{Q}_{1s})}^\dagger a_{3\mathbf{k}_{s'}} - a_{3(\mathbf{k}+\mathbf{Q}_{1s})}^\dagger a_{2\mathbf{k}_{s'}}) \sigma_{ss'}^\lambda \\ h(ME_g, \mu, 1-\mu)_{2, n(\lambda), 1} = \sum_{\mathbf{k}} \sum_{ss'} i (a_{1(\mathbf{k}+\mathbf{Q}_{1s})}^\dagger a_{3\mathbf{k}_{s'}} - a_{3(\mathbf{k}+\mathbf{Q}_{1s})}^\dagger a_{1\mathbf{k}_{s'}}) \sigma_{ss'}^\lambda \end{cases}$

$\lambda = 0$ for $\mu = 0$, and $\lambda = 1, 2, 3$ for $\mu = 1$.
 $n(\lambda) = 1$ for $\lambda = 0$, and $n(\lambda) = \lambda$ for $\lambda = 1, 2, 3$.

These mean

$$\alpha_{\mathbf{m}j_s}^\dagger = \sum_{j'=1}^3 a_{\mathbf{m}j'_s}^\dagger U_{j'j},$$

$$\alpha_{\mathbf{m}i_s} = \sum_{i'=1}^3 a_{\mathbf{m}j'_s} U_{j'j}^*. \quad (5.4)$$

Thus we obtain

$$\langle \alpha_{\mathbf{m}j_s}^\dagger \alpha_{\mathbf{m}i_s} \rangle = U_{i'i}^\dagger \langle a_{\mathbf{m}j'_s}^\dagger a_{\mathbf{m}i'_s} \rangle U_{j'j} = (U^\dagger \mathbf{D} U)_{ij}$$

Table IV. Bases of $\check{G}_0^{(X\gamma,\mu,\nu)}$ in W_{HF}

$R - \text{rep}$	bases in W_{HF}
$\check{G}_0^{(XA_g,\mu,\mu)}$	$\left\{ \begin{array}{l} h(XA_g^1, \mu, \mu)_{1,n(\lambda),1} = \sum_{\mathbf{k}} \sum_{ss'} a_{1(\mathbf{k}+\mathbf{Q}_2)_s}^\dagger a_{1\mathbf{k}s'} \sigma_{ss'}^\lambda \\ h(XA_g^1, \mu, \mu)_{2,n(\lambda),1} = \sum_{\mathbf{k}} \sum_{ss'} a_{2(\mathbf{k}+\mathbf{Q}_3)_s}^\dagger a_{2\mathbf{k}s'} \sigma_{ss'}^\lambda \\ h(XA_g^2, \mu, \mu)_{1,n(\lambda),1} = \sum_{\mathbf{k}} \sum_{ss'} a_{2(\mathbf{k}+\mathbf{Q}_2)_s}^\dagger a_{2\mathbf{k}s'} \sigma_{ss'}^\lambda \\ h(XA_g^2, \mu, \mu)_{2,n(\lambda),1} = \sum_{\mathbf{k}} \sum_{ss'} a_{1(\mathbf{k}+\mathbf{Q}_3)_s}^\dagger a_{1\mathbf{k}s'} \sigma_{ss'}^\lambda \\ h(XA_g^3, \mu, \mu)_{1,n(\lambda),1} = \sum_{\mathbf{k}} \sum_{ss'} a_{3(\mathbf{k}+\mathbf{Q}_2)_s}^\dagger a_{3\mathbf{k}s'} \sigma_{ss'}^\lambda \\ h(XA_g^3, \mu, \mu)_{2,n(\lambda),1} = \sum_{\mathbf{k}} \sum_{ss'} a_{3(\mathbf{k}+\mathbf{Q}_3)_s}^\dagger a_{3\mathbf{k}s'} \sigma_{ss'}^\lambda \end{array} \right.$
$\check{G}_0^{(XB_{1g},\mu,\mu)}$	$\left\{ \begin{array}{l} h(XB_{1g}, \mu, \mu)_{1,n(\lambda),1} = \sum_{\mathbf{k}} \sum_{ss'} (a_{1(\mathbf{k}+\mathbf{Q}_2)_s}^\dagger a_{2\mathbf{k}s'} + a_{2(\mathbf{k}+\mathbf{Q}_2)_s}^\dagger a_{1\mathbf{k}s'}) \sigma_{ss'}^\lambda \\ h(XB_{1g}, \mu, \mu)_{2,n(\lambda),1} = \sum_{\mathbf{k}} \sum_{ss'} (a_{2(\mathbf{k}+\mathbf{Q}_3)_s}^\dagger a_{1\mathbf{k}s'} + a_{1(\mathbf{k}+\mathbf{Q}_3)_s}^\dagger a_{2\mathbf{k}s'}) \sigma_{ss'}^\lambda \end{array} \right.$
$\check{G}_0^{(XB_{1g},\mu,1-\mu)}$	$\left\{ \begin{array}{l} h(XB_{1g}, \mu, 1-\mu)_{1,n(\lambda),1} = \sum_{\mathbf{k}} \sum_{ss'} i(a_{1(\mathbf{k}+\mathbf{Q}_2)_s}^\dagger a_{2\mathbf{k}s'} - a_{2(\mathbf{k}+\mathbf{Q}_2)_s}^\dagger a_{1\mathbf{k}s'}) \sigma_{ss'}^\lambda \\ h(XB_{1g}, \mu, 1-\mu)_{2,n(\lambda),1} = \sum_{\mathbf{k}} \sum_{ss'} i(a_{2(\mathbf{k}+\mathbf{Q}_3)_s}^\dagger a_{1\mathbf{k}s'} - a_{1(\mathbf{k}+\mathbf{Q}_3)_s}^\dagger a_{2\mathbf{k}s'}) \sigma_{ss'}^\lambda \end{array} \right.$
$\check{G}_0^{(XB_{2g},\mu,\mu)}$	$\left\{ \begin{array}{l} h(XB_{2g}, \mu, \mu)_{1,n(\lambda),1} = \sum_{\mathbf{k}} \sum_{ss'} (a_{1(\mathbf{k}+\mathbf{Q}_2)_s}^\dagger a_{3\mathbf{k}s'} + a_{3(\mathbf{k}+\mathbf{Q}_2)_s}^\dagger a_{1\mathbf{k}s'}) \sigma_{ss'}^\lambda \\ h(XB_{2g}, \mu, \mu)_{2,n(\lambda),1} = -\sum_{\mathbf{k}} \sum_{ss'} (a_{2(\mathbf{k}+\mathbf{Q}_3)_s}^\dagger a_{3\mathbf{k}s'} + a_{3(\mathbf{k}+\mathbf{Q}_3)_s}^\dagger a_{2\mathbf{k}s'}) \sigma_{ss'}^\lambda \end{array} \right.$
$\check{G}_0^{(XB_{2g},\mu,1-\mu)}$	$\left\{ \begin{array}{l} h(XB_{2g}, \mu, 1-\mu)_{1,n(\lambda),1} = \sum_{\mathbf{k}} \sum_{ss'} i(a_{1(\mathbf{k}+\mathbf{Q}_2)_s}^\dagger a_{3\mathbf{k}s'} - a_{3(\mathbf{k}+\mathbf{Q}_2)_s}^\dagger a_{1\mathbf{k}s'}) \sigma_{ss'}^\lambda \\ h(XB_{2g}, \mu, 1-\mu)_{2,n(\lambda),1} = -\sum_{\mathbf{k}} \sum_{ss'} i(a_{2(\mathbf{k}+\mathbf{Q}_3)_s}^\dagger a_{3\mathbf{k}s'} - a_{3(\mathbf{k}+\mathbf{Q}_3)_s}^\dagger a_{2\mathbf{k}s'}) \sigma_{ss'}^\lambda \end{array} \right.$
$\check{G}_0^{(XB_{3g},\mu,\mu)}$	$\left\{ \begin{array}{l} h(XB_{3g}, \mu, \mu)_{1,n(\lambda),1} = \sum_{\mathbf{k}} \sum_{ss'} (a_{2(\mathbf{k}+\mathbf{Q}_2)_s}^\dagger a_{3\mathbf{k}s} + a_{3(\mathbf{k}+\mathbf{Q}_2)_s}^\dagger a_{2\mathbf{k}s'}) \sigma_{ss'}^\lambda \\ h(XB_{3g}, \mu, \mu)_{2,n(\lambda),1} = -\sum_{\mathbf{k}} \sum_{ss'} (a_{1(\mathbf{k}+\mathbf{Q}_3)_s}^\dagger a_{3\mathbf{k}s'} + a_{3(\mathbf{k}+\mathbf{Q}_3)_s}^\dagger a_{1\mathbf{k}s'}) \sigma_{ss'}^\lambda \end{array} \right.$
$\check{G}_0^{(XB_{3g},\mu,1-\mu)}$	$\left\{ \begin{array}{l} h(XB_{3g}, \mu, 1-\mu)_{1,n(\lambda),1} = \sum_{\mathbf{k}} \sum_{ss'} i(a_{2(\mathbf{k}+\mathbf{Q}_2)_s}^\dagger a_{3\mathbf{k}s'} - a_{3(\mathbf{k}+\mathbf{Q}_2)_s}^\dagger a_{2\mathbf{k}s'}) \sigma_{ss'}^\lambda \\ h(XB_{3g}, \mu, 1-\mu)_{2,n(\lambda),1} = -\sum_{\mathbf{k}} \sum_{ss'} i(a_{1(\mathbf{k}+\mathbf{Q}_3)_s}^\dagger a_{3\mathbf{k}s'} - a_{3(\mathbf{k}+\mathbf{Q}_3)_s}^\dagger a_{1\mathbf{k}s'}) \sigma_{ss'}^\lambda \end{array} \right.$

 $\lambda = 0$ for $\mu = 0$, and $\lambda = 1, 2, 3$ for $\mu = 1$
 $n(\lambda) = 1$ for $\lambda = 0$, and $n(\lambda) = \lambda$ for $\lambda = 1, 2, 3$.

Table V. Axial isotropy subgroup and its Fixed point subspace of $\check{G}_0^{(\Gamma j, 0, \nu)}$ and $\check{G}_0^{(M j, 0, \nu)}$

R-rep	axial isotropy subgroup	Fixed point subspace
$\check{G}_0^{(\Gamma A_{1g}, 0, 0)}$	$G(\Gamma A_{1g}, 0, 0) = D_{4h} L_0 \mathbf{SR}$	$\{h_{1,1,1}\}_{\mathbf{R}}$
$\check{G}_0^{(\Gamma A_{2g}, 0, 1)}$	$G(\Gamma A_{2g}, 0, 1) = M_x C_{4h} L_0 \mathbf{S}$	$\{h_{1,1,1}\}_{\mathbf{R}}$
$\check{G}_0^{(\Gamma B_{1g}, 0, 0)}$	$G(\Gamma B_{1g}, 0, 0) = D_{2h} L_0 \mathbf{SR}$	$\{h_{1,1,1}\}_{\mathbf{R}}$
$\check{G}_0^{(\Gamma B_{2g}, 0, 0)}$	$G(\Gamma B_{2g}, 0, 0) = D_{2ah} L_0 \mathbf{SR}$	$\{h_{1,1,1}\}_{\mathbf{R}}$
$\check{G}_0^{(\Gamma E_g, 0, 0)}$	$G(\Gamma E_g, 0, 0)_1 = C_{2xh} L_0 \mathbf{SR}$	$\{h_{1,1,1}\}_{\mathbf{R}}$
	$G(\Gamma E_g, 0, 0)_2 = C_{2ah} L_0 \mathbf{SR}$	$\{h_{1,1,1} - h_{2,1,1}\}_{\mathbf{R}}$
$\check{G}_0^{(\Gamma E_g, 0, 1)}$	$G(\Gamma E_g, 0, 1)_1 = M_z C_{2xh} L_0 \mathbf{S}$	$\{h_{1,1,1}\}_{\mathbf{R}}$
	$G(\Gamma E_g, 0, 1)_2 = M_z C_{2ah} L_0 \mathbf{SR}$	$\{h_{1,1,1} - h_{2,1,1}\}_{\mathbf{R}}$
$\check{G}_0^{(MA_{1g}, 0, 0)}$	$G(MA_{1g}, 0, 0) = D_{4h} L_1 \mathbf{SR}$	$\{h_{1,1,1}\}_{\mathbf{R}}$
$\check{G}_0^{(MA_{2g}, 0, 1)}$	$G(MA_{2g}, 0, 1) = M_x T_x(e_1) C_{4h} L_1 \mathbf{S}$	$\{h_{1,1,1}\}_{\mathbf{R}}$
$\check{G}_0^{(MB_{1g}, 0, 0)}$	$G(MB_{1g}, 0, 0) = T_a(e_1) D_{2h} L_1 \mathbf{SR}$	$\{h_{1,1,1}\}_{\mathbf{R}}$
$\check{G}_0^{(MB_{2g}, 0, 0)}$	$G(MB_{2g}, 0, 0) = T_x(e_1) D_{2ah} L_1 \mathbf{SR}$	$\{h_{1,1,1}\}_{\mathbf{R}}$
$\check{G}_0^{(ME_g, 0, 0)}$	$G(ME_g, 0, 0)_1 = T_z(e_1) C_{2xh} L_1 \mathbf{SR}$	$\{h_{1,1,1}\}_{\mathbf{R}}$
	$G(ME_g, 0, 0)_2 = T_z(e_1) C_{2ah} L_1 \mathbf{SR}$	$\{h_{1,1,1} - h_{2,1,1}\}_{\mathbf{R}}$
$\check{G}_0^{(ME_g, 0, 1)}$	$G(ME_g, 0, 1)_1 = M_z T_z(e_1) C_{2xh} L_1 \mathbf{S}$	$\{h_{1,1,1}\}_{\mathbf{R}}$
	$G(ME_g, 0, 1)_2 = M_z T_z(e_1) C_{2ah} L_1 \mathbf{S}$	$\{h_{1,1,1} - h_{2,1,1}\}_{\mathbf{R}}$
$L_1 = L(e_1 + e_2, e_2 - e_1)$		
$T_i(e_1) = \{E, C_{2i} T(e_1)\}$		
$D_{2ah} = \{E, C_{2z}, C_{2a}, C_{2b}, I, IC_{2z}, IC_{2a}, IC_{2b}\}$		
$C_{2xh} = \{E, C_{2x}, I, IC_{2x}\}$		
$C_{2ah} = \{E, C_{2a}, I, IC_{2a}\}$		
$M_i = \{E, tC_{2i}\}$		

$$= (\boldsymbol{\lambda})_{ij} = \delta_{ij} \lambda_i. \quad (5.5)$$

These represent that the occupation numbers of electron for three atomic orbitals (ψ_1, ψ_2, ψ_3) are $\lambda_1, \lambda_2, \lambda_3$, where

$$\begin{aligned} \psi_1 &= \phi_1 U_{11} + \phi_2 U_{21} + \phi_3 U_{31}, \\ \psi_2 &= \phi_1 U_{12} + \phi_2 U_{22} + \phi_3 U_{32}, \\ \psi_3 &= \phi_1 U_{13} + \phi_2 U_{23} + \phi_3 U_{33}. \end{aligned} \quad (5.6)$$

We give three examples to show how each axial isotropy subgroup determines the

Table VI. Axial isotropy subgroup and its fixed point subspace of $\tilde{G}_0^{(X\gamma,0,\nu)}$

R-rep	axial isotropy subgroup	fixed point subspace
$\tilde{G}_0^{(XA_g,0,0)}$	$G(XA_g, 0, 0)_1 = D_{2h}L_2\mathbf{SR}$	$\{h_{1,1,1}\}_{\mathbf{R}}$
	$G(XA_g, 0, 0)_2 = D_{4h}L_3\mathbf{SR}$	$\{h_{1,1,1} + h_{2,1,1}\}_{\mathbf{R}}$
$\tilde{G}_0^{(XB_{1g},0,0)}$	$G(XB_{1g}, 0, 0)_1 = T_x(e_1)C_{2zh}L_2\mathbf{SR}$	$\{h_{1,1,1}\}_{\mathbf{R}}$
	$G(XB_{1g}, 0, 0)_2 = T_x(e_1 + e_2)D_{2ah}L_3\mathbf{SR}$	$\{h_{1,1,1} + h_{2,1,1}\}_{\mathbf{R}}$
$\tilde{G}_0^{(XB_{1g},0,1)}$	$G(XB_{1g}, 0, 1)_1 = M_yT_x(e_1)C_{2zh}L_2\mathbf{S}$	$\{h_{1,1,1}\}_{\mathbf{R}}$
	$G(XB_{1g}, 0, 1)_2 = M_yT_x(e_1 + e_2)D_{2ah}L_3\mathbf{S}$	$\{h_{1,1,1} + h_{2,1,1}\}_{\mathbf{R}}$
$\tilde{G}_0^{(XB_{2g},0,0)}$	$G(XB_{2g}, 0, 0)_1 = T_x(e_1)C_{2yh}L_2\mathbf{SR}$	$\{h_{1,1,1}\}_{\mathbf{R}}$
	$G(XB_{2g}, 0, 0)_2 = T_x(e_1)T_y(e_2)C_{2ah}L_3\mathbf{SR}$	$\{h_{1,1,1} + h_{2,1,1}\}_{\mathbf{R}}$
$\tilde{G}_0^{(XB_{2g},0,1)}$	$G(XB_{2g}, 0, 1)_1 = M_zT_x(e_1)C_{2yh}L_2\mathbf{S}$	$\{h_{1,1,1}\}_{\mathbf{R}}$
	$G(XB_{2g}, 0, 1)_2 = M_zT_x(e_1)T_y(e_2)C_{2ah}L_3\mathbf{S}$	$\{h_{1,1,1} + h_{2,1,1}\}_{\mathbf{R}}$
$\tilde{G}_0^{(XB_{3g},0,0)}$	$G(XB_{3g}, 0, 0)_1 = T_y(e_1)C_{2xh}L_2\mathbf{SR}$	$\{h_{1,1,1}\}_{\mathbf{R}}$
	$G(XB_{3g}, 0, 0)_2 = T_x(e_2)T_y(e_1)C_{2ah}L_3\mathbf{SR}$	$\{h_{1,1,1} + h_{2,1,1}\}_{\mathbf{R}}$
$\tilde{G}_0^{(XB_{3g},0,1)}$	$G(XB_{3g}, 0, 1)_1 = M_zT_y(e_1)C_{2xh}L_2\mathbf{S}$	$\{h_{1,1,1}\}_{\mathbf{R}}$
	$G(XB_{3g}, 0, 1)_2 = M_zT_x(e_2)T_y(e_1)C_{2ah}L_3\mathbf{S}$	$\{h_{1,1,1} + h_{2,1,1}\}_{\mathbf{R}}$
$L_2 = \mathbf{L}(2e_1, e_2), L_3 = \mathbf{L}(2e_1, 2e_2)$ $T_i(e_1 + e_2) = \{E, C_{2i}T(e_1 + e_2)\}, i = z, x, y, a, b$ $T_i(e_m) = \{E, C_{2i}T(e_1)\}, i = z, x, y, a, b, m = 1, 2$ $M_i = \{E, tC_{2i}\}, i = z, x, y, a, b$ $D_{2ah} = \{E, C_{2z}, C_{2a}, C_{2b}, I, IC_{2z}, IC_{2a}, IC_{2b}\}$ $C_{2xh} = \{E, C_{2x}, I, IC_{2x}\}$ $C_{2ah} = \{E, C_{2a}, I, IC_{2a}\}$		

canonical form of the HF Hamiltonian H_m , occupied orbitals and their occupation numbers, and the type of the LOP of the state.

Example 5.1. $G(\Gamma A_{1g}, 0, 0)$ state.

In this case the isotropy subgroup $G(H_m)$ of H_m is

$$G(\Gamma A_{1g}, 0, 0) = D_{4h}L_0\mathbf{SR}. \quad (5.7)$$

From $T(e_1)$ and $T(e_2) \in L_0$ invariance of \mathbf{R}^{l_0} , we see that only \mathbf{R}^{00} is non-zero.

\mathbf{R}^{00} is invariant under $C_{2z}, C_{2x}, C_{2a} \in D_{4h}$ and $t \in \mathbf{R}$. Thus using (3·19) we have

$$\begin{aligned} C_{2z} \cdot \mathbf{R}^{00} &= \begin{pmatrix} R_{11}^{00} & R_{12}^{00} & -R_{13}^{00} \\ R_{21}^{00} & R_{22}^{00} & -R_{23}^{00} \\ -R_{31}^{00} & -R_{32}^{00} & R_{33}^{00} \end{pmatrix} = \mathbf{R}^{00}, \\ C_{2x} \cdot \mathbf{R}^{00} &= \begin{pmatrix} R_{11}^{00} & -R_{12}^{00} & -R_{13}^{00} \\ -R_{21}^{00} & R_{22}^{00} & R_{23}^{00} \\ -R_{31}^{00} & R_{32}^{00} & R_{33}^{00} \end{pmatrix} = \mathbf{R}^{00}, \\ C_{2a} \cdot \mathbf{R}^{00} &= \begin{pmatrix} R_{22}^{00} & R_{21}^{00} & -R_{23}^{00} \\ R_{12}^{00} & R_{11}^{00} & -R_{13}^{00} \\ -R_{32}^{00} & -R_{31}^{00} & R_{33}^{00} \end{pmatrix} = \mathbf{R}^{00}, \\ t \cdot \mathbf{R}^{00} &= (\mathbf{R}^{00})^* = \mathbf{R}^{00}. \end{aligned} \quad (5\cdot8)$$

Thus we obtain

$$\mathbf{R}^{00} = \begin{pmatrix} a & 0 & 0 \\ 0 & a & 0 \\ 0 & 0 & b \end{pmatrix}, \quad (5\cdot9)$$

where a and b are real numbers. From (3·7) and SCF condition (3·8) we obtain

$$\begin{aligned} x_{11}^{00} &= N(W_{1111}R_{11}^{00} + W_{1212}R_{22}^{00} + W_{1313}R_{33}^{00}) \\ &= (U + 2U' - J)a + (2U' - J)b \equiv \alpha, \\ x_{22}^{00} &= N(W_{2121}R_{11}^{00} + W_{2222}R_{22}^{00} + W_{2323}R_{33}^{00}) \\ &= (U + 2U' - J)a + (2U' - J)b \equiv \alpha, \\ x_{33}^{00} &= N(W_{3131}R_{11}^{00} + W_{3232}R_{22}^{00} + W_{3333}R_{33}^{00}) \\ &= 2(2U' - J)a + Ub \equiv \beta. \end{aligned} \quad (5\cdot10)$$

Thus we obtain HF Hamiltonian H_m as follows:

$$\begin{aligned} H_m &= H_K + \sum_{\mathbf{k}} \sum_s \{ \alpha (a_{1\mathbf{k}s}^\dagger a_{1\mathbf{k}s} + a_{2\mathbf{k}s}^\dagger a_{2\mathbf{k}s}) + \beta a_{3\mathbf{k}s}^\dagger a_{3\mathbf{k}s} \} \\ &= H_K + \alpha h(\Gamma A_{1g}^1, 0, 0)_{1,1,1} + \beta h(\Gamma A_{1g}^2, 0, 0)_{1,1,1}. \end{aligned} \quad (5\cdot11)$$

Here the bases $h(\Gamma A_{1g}^j, 0, 0)_{1,1,1}$ ($j = 1, 2$) are given in Table III. This state corresponds to the normal paramagnetic state.

Now we consider M point non magnetic states. All isotropy subgroups of M point non magnetic states contain $\mathbf{L}_1 = \mathbf{L}(e_1 + e_2, e_2 - e_1)$ and \mathbf{S} . Thus from \mathbf{S} and \mathbf{L}_1 invariance of $\mathbf{R}^{l\lambda}$, only \mathbf{R}^{00} and \mathbf{R}^{10} are non-zero. From (3·26), for \mathbf{m} such that $T(\mathbf{m}) \in \mathbf{L}_1$, we have

$$\begin{aligned} D(\mathbf{m}) &= D^{\uparrow\uparrow}(\mathbf{m}) = D^{\downarrow\downarrow}(\mathbf{m}) = \mathbf{R}^{00} + \mathbf{R}^{10}, \\ D(\mathbf{m} + e_i) &= D^{\uparrow\uparrow}(\mathbf{m} + e_i) = D^{\downarrow\downarrow}(\mathbf{m} + e_i) = \mathbf{R}^{00} - \mathbf{R}^{10}, \end{aligned} \quad (5\cdot12)$$

where $i = 1, 2$. Thus diagonalizing $\mathbf{D}(\mathbf{m})$ and $\mathbf{D}(\mathbf{m} + \mathbf{e}_i)$, we obtain occupied atomic orbitals and their occupation numbers at sites \mathbf{m} and $\mathbf{m} + \mathbf{e}_i$. We consider the $G(MB_{2g}, 0, 0)$ state.

Example 5.2. $G(MB_{2g}, 0, 0)$ state.

Since

$$G(MB_{2g}, 0, 0) = T_x(\mathbf{e}_1)\mathbf{D}_{2ah}\mathbf{L}_1\mathbf{SR}, \quad (5.13)$$

\mathbf{R}^{00} and \mathbf{R}^{l0} are invariant under $C_{2z}, C_{2a} \in \mathbf{D}_{2ah}$ and $t \in \mathbf{R}$. Thus using (3.19) we have for $l = 0, 1$

$$\begin{aligned} C_{2z} \cdot \mathbf{R}^{l0} &= \begin{pmatrix} R_{11}^{l0} & R_{12}^{l0} & -R_{13}^{l0} \\ R_{21}^{l0} & R_{22}^{l0} & -R_{23}^{l0} \\ -R_{31}^{l0} & -R_{32}^{l0} & R_{33}^{l0} \end{pmatrix} = \mathbf{R}^{l0}, \\ C_{2a} \cdot \mathbf{R}^{l0} &= \begin{pmatrix} R_{22}^{l0} & R_{21}^{l0} & -R_{23}^{l0} \\ R_{12}^{l0} & R_{11}^{l0} & -R_{13}^{l0} \\ -R_{32}^{l0} & -R_{31}^{l0} & R_{33}^{l0} \end{pmatrix} = \mathbf{R}^{l0}, \\ t \cdot \mathbf{R}^{l0} &= (\mathbf{R}^{l0})^* = \mathbf{R}^{l0}. \end{aligned} \quad (5.14)$$

Then \mathbf{R}^{l0} have forms

$$\mathbf{R}^{l0} = \begin{pmatrix} R_{11}^{l0} & R_{12}^{l0} & 0 \\ R_{12}^{l0} & R_{11}^{l0} & 0 \\ 0 & 0 & R_{33}^{l0} \end{pmatrix}. \quad (5.15)$$

From $C_{2x}T(\mathbf{e}_1)$ invariance, we obtain

$$\begin{aligned} C_{2x}T(\mathbf{e}_1) \cdot \mathbf{R}^{00} &= \begin{pmatrix} R_{11}^{00} & -R_{12}^{00} & 0 \\ -R_{21}^{00} & R_{11}^{00} & 0 \\ 0 & 0 & R_{33}^{00} \end{pmatrix} = \mathbf{R}^{00}, \\ C_{2x}T(\mathbf{e}_1) \cdot \mathbf{R}^{10} &= \begin{pmatrix} -R_{11}^{10} & R_{12}^{10} & 0 \\ R_{21}^{10} & -R_{22}^{10} & 0 \\ 0 & 0 & -R_{33}^{10} \end{pmatrix} = \mathbf{R}^{10}. \end{aligned} \quad (5.16)$$

Thus we obtain

$$\mathbf{R}^{00} = \begin{pmatrix} a & 0 & 0 \\ 0 & a & 0 \\ 0 & 0 & b \end{pmatrix}, \quad \mathbf{R}^{10} = \begin{pmatrix} 0 & c & 0 \\ c & 0 & 0 \\ 0 & 0 & 0 \end{pmatrix}, \quad (5.17)$$

where a, b and c are real numbers. From (3.7) and SCF condition (3.8) we obtain

$$\begin{aligned} x_{11}^{00} &= N(W_{1111}R_{11}^{00} + W_{1212}R_{22}^{00} + W_{1313}R_{33}^{00}) \\ &= (U + 2U' - J)a + (2U' - J)b \equiv \alpha, \\ x_{22}^{00} &= N(W_{2121}R_{11}^{00} + W_{2222}R_{22}^{00} + W_{2323}R_{33}^{00}) \\ &= (U + 2U' - J)a + (2U' - J)b \equiv \alpha, \end{aligned}$$

$$\begin{aligned}
x_{33}^{00} &= N(W_{3131}R_{11}^{00} + W_{3232}R_{22}^{00} + W_{3333}R_{33}^{00}) \\
&= 2(2U' - J)a + Ub \equiv \beta, \\
x_{12}^{10} &= N(W_{1122}R_{21}^{10} + W_{1221}R_{12}^{10}) \\
&= (J' + 2J - U')c \equiv \gamma, \\
x_{21}^{10} &= N(W_{2211}R_{12}^{10} + W_{2112}R_{21}^{10}) \\
&= (J' + 2J - U')c \equiv \gamma.
\end{aligned} \tag{5-18}$$

Thus we obtain the HF Hamiltonian H_m as

$$\begin{aligned}
H_m &= H_K + \sum_{\mathbf{k}} \sum_s \{ \alpha (a_{1\mathbf{k}s}^\dagger a_{1\mathbf{k}s} + a_{2\mathbf{k}s}^\dagger a_{2\mathbf{k}s}) + \beta a_{3\mathbf{k}s}^\dagger a_{3\mathbf{k}s} \\
&\quad + \gamma (a_{1(\mathbf{k}+\mathbf{Q}_1)s}^\dagger a_{2\mathbf{k}s} + a_{2(\mathbf{k}+\mathbf{Q}_1)s}^\dagger a_{1\mathbf{k}s}) \} \\
&= H_K + \alpha h(\Gamma A_{1g}^1, 0, 0)_{1,1,1} + \beta h(\Gamma A_{1g}^2, 0, 0)_{1,1,1} + \gamma h(MB_{2g}, 0, 0)_{1,1,1}.
\end{aligned} \tag{5-19}$$

The fourth term of (5-19) is the primary part which leads to the transition to the $G(MB_{2g}, 0, 0)$ state. From (3-12) we obtain the HF energy E_{HF} as

$$\begin{aligned}
E_{\text{HF}} &= \langle H_K \rangle' \\
&\quad + N\{2(U + 2U' - J)a^2 + Ub^2 + 4(2U' - J)ab + 2(2J + J' - U')c^2\}.
\end{aligned} \tag{5-20}$$

For \mathbf{m} such that $T(\mathbf{m}) \in L_1$ we obtain

$$\begin{aligned}
\mathbf{D}(\mathbf{m}) &= \mathbf{R}^{00} + \mathbf{R}^{10} = \begin{pmatrix} a & c & 0 \\ c & a & 0 \\ 0 & 0 & b \end{pmatrix}, \\
\mathbf{D}(\mathbf{m} + \mathbf{e}_j) &= \mathbf{R}^{00} - \mathbf{R}^{10} = \begin{pmatrix} a & -c & 0 \\ -c & a & 0 \\ 0 & 0 & b \end{pmatrix} \quad (j = 1, 2).
\end{aligned} \tag{5-21}$$

Diagonalization of $\mathbf{D}(\mathbf{m})$ and $\mathbf{D}(\mathbf{m} + \mathbf{e}_j)$ are written as

$$\begin{aligned}
U^\dagger \mathbf{D}(\mathbf{m}) U &= \begin{pmatrix} a+c & 0 & 0 \\ 0 & a-c & 0 \\ 0 & 0 & b \end{pmatrix}, \\
U^\dagger \mathbf{D}(\mathbf{m} + \mathbf{e}_j) U &= \begin{pmatrix} a-c & 0 & 0 \\ 0 & a+c & 0 \\ 0 & 0 & b \end{pmatrix},
\end{aligned} \tag{5-22}$$

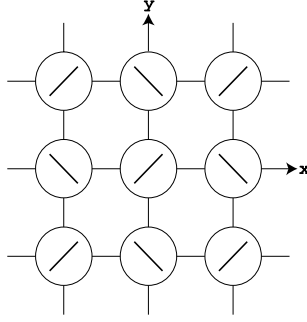
where

$$U = \begin{pmatrix} \frac{1}{\sqrt{2}} & \frac{1}{\sqrt{2}} & 0 \\ \frac{1}{\sqrt{2}} & -\frac{1}{\sqrt{2}} & 0 \\ 0 & 0 & 1 \end{pmatrix}. \tag{5-23}$$

From (5-6) we obtain the occupied atomic orbitals and their occupation numbers for $G(MB_{2g}, 0, 0)$ state as shown in Table VII,

Table VII. Occupied atomic orbitals and their occupation numbers for $G(MB_{2g}, 0, 0)$ state

site	spin	atomic orbital	occupation number
\mathbf{m}	$\uparrow\downarrow$	$\psi_1 = \frac{1}{\sqrt{2}}(\phi_1 + \phi_2)$	$a + c$
\mathbf{m}	$\uparrow\downarrow$	$\psi_2 = \frac{1}{\sqrt{2}}(\phi_1 - \phi_2)$	$a - c$
\mathbf{m}	$\uparrow\downarrow$	$\psi_3 = \phi_3$	b
$\mathbf{m} + \mathbf{e}_j$	$\uparrow\downarrow$	$\psi_1 = \frac{1}{\sqrt{2}}(\phi_1 + \phi_2)$	$a - c$
$\mathbf{m} + \mathbf{e}_j$	$\uparrow\downarrow$	$\psi_2 = \frac{1}{\sqrt{2}}(\phi_1 - \phi_2)$	$a + c$
$\mathbf{m} + \mathbf{e}_j$	$\uparrow\downarrow$	$\psi_3 = \phi_3$	b
$\mathbf{m} : T(\mathbf{m}) \in \mathbf{L}_1, j = 1, 2, a = R_{11}^{00} = R_{22}^{00}, b = R_{33}^{00}, c = R_{12}^{00} = R_{21}^{00}$			


 Fig. 1. Orbital ordering by $/ = \psi_1 = \frac{1}{\sqrt{2}}(\phi_1 + \phi_2)$, and $\backslash = \psi_2 = \frac{1}{\sqrt{2}}(\phi_1 - \phi_2)$, which have the occupation number $a + c$ in the $G(MB_{2g}, 0, 0)$ state.

In Fig.1 we show the pattern of orbital order by $\frac{1}{\sqrt{2}}(\phi_1 + \phi_2)$ and $\frac{1}{\sqrt{2}}(\phi_1 - \phi_2)$ with the occupation number $a + c$. Note that this pattern has symmetries of $C_{2a}, C_{2b}, C_{2z}, C_{2x}T(\mathbf{e}_1)$ and $C_{2x}T(\mathbf{e}_2) \in G(MB_{2g}, 0, 0)$. From (3.43) we see that this state has alternating quadrupole moments, for \mathbf{m} such that $T(\mathbf{m}) \in \mathbf{L}_1$, as follows

$$Q_{12}(\mathbf{m}) = 4I_2c, \quad Q_{12}(\mathbf{m} + \mathbf{e}_j) = -4I_2c, \quad j = 1, 2. \quad (5.24)$$

Finally we consider X point non magnetic state. As shown in Table VI, in cases of $G(X\gamma, 0, \nu)_1$, isotropy subgroups contain $\mathbf{L}_2 = \mathbf{L}(2\mathbf{e}_1, \mathbf{e}_2)$ and \mathbf{S} . Thus from $\mathbf{L}_2 = \mathbf{L}(2\mathbf{e}_1, \mathbf{e}_2)$ and \mathbf{S} invariance of $\mathbf{R}^{l\lambda}$, only \mathbf{R}^{l0} ($l = 0, 2$) are non-zero. From (3.26), for \mathbf{m} such that $T(\mathbf{m}) \in \mathbf{L}_2$, we have

$$\begin{aligned} D(\mathbf{m}) &= D^{\uparrow\uparrow}(\mathbf{m}) = D^{\downarrow\downarrow}(\mathbf{m}) = \mathbf{R}^{00} + \mathbf{R}^{20}, \\ D(\mathbf{m} + \mathbf{e}_1) &= D^{\uparrow\uparrow}(\mathbf{m} + \mathbf{e}_1) = D^{\downarrow\downarrow}(\mathbf{m} + \mathbf{e}_1) = \mathbf{R}^{00} - \mathbf{R}^{20}. \end{aligned} \quad (5.25)$$

In the cases of $G(X\gamma, 0, \nu)_2$, isotropy subgroups contain $\mathbf{L}_3 = \mathbf{L}(2\mathbf{e}_1, 2\mathbf{e}_2)$ and \mathbf{S} . Thus from $\mathbf{L}_3 = \mathbf{L}(2\mathbf{e}_1, 2\mathbf{e}_2)$ and \mathbf{S} invariance of $\mathbf{R}^{l\lambda}$, only \mathbf{R}^{l0} ($l = 0, 1, 2, 3$) are non-zero. From (3.26), for \mathbf{m} such that $T(\mathbf{m}) \in \mathbf{L}_2$, we have

$$D(\mathbf{m}) = D^{\uparrow\uparrow}(\mathbf{m}) = D^{\downarrow\downarrow}(\mathbf{m}) = \mathbf{R}^{00} + \mathbf{R}^{10} + \mathbf{R}^{20} + \mathbf{R}^{30},$$

$$\begin{aligned}
D(\mathbf{m} + \mathbf{e}_1) &= D^{\uparrow\uparrow}(\mathbf{m} + \mathbf{e}_1) = D^{\downarrow\downarrow}(\mathbf{m} + \mathbf{e}_1) = \mathbf{R}^{00} - \mathbf{R}^{10} - \mathbf{R}^{20} + \mathbf{R}^{30}, \\
D(\mathbf{m} + \mathbf{e}_2) &= D^{\uparrow\uparrow}(\mathbf{m} + \mathbf{e}_2) = D^{\downarrow\downarrow}(\mathbf{m} + \mathbf{e}_2) = \mathbf{R}^{00} - \mathbf{R}^{10} + \mathbf{R}^{20} - \mathbf{R}^{30}, \\
D(\mathbf{m} + \mathbf{e}_1 + \mathbf{e}_2) &= D^{\uparrow\uparrow}(\mathbf{m} + \mathbf{e}_1 + \mathbf{e}_2) = D^{\downarrow\downarrow}(\mathbf{m} + \mathbf{e}_1 + \mathbf{e}_2) \\
&= \mathbf{R}^{00} + \mathbf{R}^{10} - \mathbf{R}^{20} - \mathbf{R}^{30}.
\end{aligned} \tag{5.26}$$

We consider the $G(XB_{3g}, 0, 1)_2$ state which breaks time reversal symmetry as an example.

Example 5.3. $G(XB_3, 0, 1)_2$ state.

Since

$$G(XB_{3g}, 0, 1)_2 = M_z T_x(\mathbf{e}_2) T_y(\mathbf{e}_1) \mathbf{C}_{2ah} \mathbf{L}_3 \mathbf{S}, \tag{5.27}$$

\mathbf{R}^{l0} ($l = 0, 1, 2, 3$) are invariant under $C_{2a}, C_{2x}T(\mathbf{e}_2), C_{2y}T(\mathbf{e}_1), tC_{2z}$. Thus we obtain

$$\begin{aligned}
\mathbf{R}^{00} &= \begin{pmatrix} a & 0 & 0 \\ 0 & a & 0 \\ 0 & 0 & b \end{pmatrix}, & \mathbf{R}^{10} &= \begin{pmatrix} 0 & c & 0 \\ c & 0 & 0 \\ 0 & 0 & 0 \end{pmatrix}, \\
\mathbf{R}^{20} &= \begin{pmatrix} 0 & 0 & 0 \\ 0 & 0 & id \\ 0 & -id & 0 \end{pmatrix}, & \mathbf{R}^{30} &= \begin{pmatrix} 0 & 0 & -id \\ 0 & 0 & 0 \\ id & 0 & 0 \end{pmatrix},
\end{aligned} \tag{5.28}$$

where a, b, c and d are real numbers. Using (3.8) we obtain H_m as

$$\begin{aligned}
H_m &= H_K + \sum_{\mathbf{k}} \sum_s \{ \alpha (a_{1\mathbf{k}s}^\dagger a_{1\mathbf{k}s} + a_{2\mathbf{k}s}^\dagger a_{2\mathbf{k}s}) + \beta a_{3\mathbf{k}s}^\dagger a_{3\mathbf{k}s} \\
&\quad + \gamma (a_{1(\mathbf{k}+\mathbf{Q}_1)s}^\dagger a_{2\mathbf{k}s} + a_{2(\mathbf{k}+\mathbf{Q}_1)s}^\dagger a_{1\mathbf{k}s}) \\
&\quad + i\delta (a_{2(\mathbf{k}+\mathbf{Q}_2)s}^\dagger a_{3\mathbf{k}s} - a_{3(\mathbf{k}+\mathbf{Q}_2)s}^\dagger a_{2\mathbf{k}s} \\
&\quad - a_{1(\mathbf{k}+\mathbf{Q}_3)s}^\dagger a_{3\mathbf{k}s} + a_{3(\mathbf{k}+\mathbf{Q}_3)s}^\dagger a_{1\mathbf{k}s}) \} \\
&= H_K + \alpha h (\Gamma A_{1g}^1, 0, 0)_{1,0,1} + \beta h (\Gamma A_{1g}^2, 0, 0)_{1,0,1} + \gamma h (MB_{2g}, 0, 0)_{1,0,1} \\
&\quad \delta \{ h (XB_{3g}, 0, 1)_{1,0,1} + h (XB_{3g}, 0, 1)_{2,0,1} \},
\end{aligned} \tag{5.29}$$

where α, β, δ and γ are determined by SCF conditions

$$\begin{aligned}
\alpha &= (U + 2U' - J)a + (2U' - J)b, \\
\beta &= 2(2U' - J)a + Ub, \\
\gamma &= (2J + J' - U')c, \\
\delta &= (2J - J' - U')d.
\end{aligned} \tag{5.30}$$

The fifth term of (5.29) is the primary part which leads to the transition to the $G(XB_{3g}, 0, 1)_2$ state. The fourth term of (5.29) is the secondary part induced by the transition.

The HF energy is written as

$$E_{\text{HF}} = \langle H_K \rangle' + \frac{N}{2} \{ 2(U + 2U' - J)a^2 + Ub^2 + 4(2U' - J)ab \}$$

$$+ \frac{N}{2} \{2(2J + J' - U')c^2 + 4(2J - U' - J')d^2\}. \quad (5.31)$$

From (5.26) we obtain, for \mathbf{m} such that $T(\mathbf{m}) \in \mathbf{L}_3$,

$$\begin{aligned} \mathbf{D}(\mathbf{m}) &= \begin{pmatrix} a & c & -id \\ c & a & id \\ id & -id & b \end{pmatrix}, & \mathbf{D}(\mathbf{m} + \mathbf{e}_2) &= \begin{pmatrix} a & -c & id \\ -c & a & id \\ -id & -id & b \end{pmatrix}, \\ \mathbf{D}(\mathbf{m} + \mathbf{e}_1) &= \begin{pmatrix} a & -c & -id \\ -c & a & -id \\ id & id & b \end{pmatrix}, & \mathbf{D}(\mathbf{m} + \mathbf{e}_1 + \mathbf{e}_2) &= \begin{pmatrix} a & c & id \\ c & a & -id \\ -id & id & b \end{pmatrix}. \end{aligned} \quad (5.32)$$

Diagonalizing $\mathbf{D}(\mathbf{m})$, $\mathbf{D}(\mathbf{m} + \mathbf{e}_1)$, $\mathbf{D}(\mathbf{m} + \mathbf{e}_2)$, $\mathbf{D}(\mathbf{m} + \mathbf{e}_1 + \mathbf{e}_2)$, we obtain occupied

Table VIII. Occupied atomic orbitals and their occupation numbers for $G(XB_{3g}, 0, 1)_2$ state

site	spin	atomic orbital	occupation number
\mathbf{m}	$\uparrow\downarrow$	$\psi_1 = \frac{1}{\sqrt{2}}\text{sgn}(d)u\phi_1 - \frac{1}{\sqrt{2}}\text{sgn}(d)u\phi_2 + iw\phi_3$	λ_1
\mathbf{m}	$\uparrow\downarrow$	$\psi_2 = -\frac{1}{\sqrt{2}}\text{sgn}(d)w\phi_1 + \frac{1}{\sqrt{2}}\text{sgn}(d)w\phi_2 + iu\phi_3$	λ_2
\mathbf{m}	$\uparrow\downarrow$	$\psi_3 = \frac{1}{\sqrt{2}}(\phi_1 + \phi_2)$	λ_3
$\mathbf{m} + \mathbf{e}_1$	$\uparrow\downarrow$	$\psi_1 = -\frac{1}{\sqrt{2}}\text{sgn}(d)u\phi_1 - \frac{1}{\sqrt{2}}\text{sgn}(d)u\phi_2 - iw\phi_3$	λ_1
$\mathbf{m} + \mathbf{e}_1$	$\uparrow\downarrow$	$\psi_2 = -\frac{1}{\sqrt{2}}\text{sgn}(d)w\phi_1 - \frac{1}{\sqrt{2}}\text{sgn}(d)w\phi_2 + iu\phi_3$	λ_2
$\mathbf{m} + \mathbf{e}_1$	$\uparrow\downarrow$	$\psi_3 = \frac{1}{\sqrt{2}}(\phi_1 - \phi_2)$	λ_3
$\mathbf{m} + \mathbf{e}_2$	$\uparrow\downarrow$	$\psi_1 = \frac{1}{\sqrt{2}}\text{sgn}(d)u\phi_1 + \frac{1}{\sqrt{2}}\text{sgn}(d)u\phi_2 - iw\phi_3$	λ_1
$\mathbf{m} + \mathbf{e}_2$	$\uparrow\downarrow$	$\psi_2 = \frac{1}{\sqrt{2}}\text{sgn}(d)w\phi_1 + \frac{1}{\sqrt{2}}\text{sgn}(d)w\phi_2 + iu\phi_3$	λ_2
$\mathbf{m} + \mathbf{e}_2$	$\uparrow\downarrow$	$\psi_3 = \frac{1}{\sqrt{2}}(\phi_1 - \phi_2)$	λ_3
$\mathbf{m} + \mathbf{e}_1 + \mathbf{e}_2$	$\uparrow\downarrow$	$\psi_1 = -\frac{1}{\sqrt{2}}\text{sgn}(d)u\phi_1 + \frac{1}{\sqrt{2}}\text{sgn}(d)u\phi_2 + iw\phi_3$	λ_1
$\mathbf{m} + \mathbf{e}_1 + \mathbf{e}_2$	$\uparrow\downarrow$	$\psi_2 = \frac{1}{\sqrt{2}}\text{sgn}(d)w\phi_1 - \frac{1}{\sqrt{2}}\text{sgn}(d)w\phi_2 + iu\phi_3$	λ_2
$\mathbf{m} + \mathbf{e}_1 + \mathbf{e}_2$	$\uparrow\downarrow$	$\psi_3 = \frac{1}{\sqrt{2}}(\phi_1 + \phi_2)$	λ_3

$T(\mathbf{m}) \in \mathbf{L}_3 = (2\mathbf{e}_1, 2\mathbf{e}_2)$
 $a = R_{11}^{00} = R_{22}^{00}$, $b = R_{33}^{00}$, $c = R_{12}^{10} = R_{21}^{10}$, $id = R_{23}^{20} = -R_{32}^{20} = -R_{13}^{30} = R_{31}^{30}$
 $u = \frac{1}{\sqrt{2}}\left(1 + \frac{a-b-c}{\sqrt{(a-b-c)^2 + 8d^2}}\right)^{\frac{1}{2}}$, $w = \frac{1}{\sqrt{2}}\left(1 - \frac{a-b-c}{\sqrt{(a-b-c)^2 + 8d^2}}\right)^{\frac{1}{2}}$
 $\lambda_1 = \frac{a+b-c + \sqrt{(a-b-c)^2 + 8d^2}}{2}$, $\lambda_2 = \frac{a+b-c - \sqrt{(a-b-c)^2 + 8d^2}}{2}$, $\lambda_3 = a + c$

atomic orbitals and their occupation numbers at the sites \mathbf{m} , $\mathbf{m} + \mathbf{e}_1$, $\mathbf{m} + \mathbf{e}_2$, $\mathbf{m} + \mathbf{e}_1 + \mathbf{e}_2$ for the $G(XB_{3g}, 0, 1)_2$ state as shown in Table VIII. Note that occupied atomic orbitals have complex coefficients.

From (3.43), we see that this state has the following orbital angular momentum (the primary LOP) and quadrupole moment (the secondary LOP). For \mathbf{m} such that $T(\mathbf{m}) \in \mathbf{L}_3$, we obtain

$$\begin{aligned} l_1(\mathbf{m}) &= 4d, & l_2(\mathbf{m}) &= 4d, \\ l_1(\mathbf{m} + \mathbf{e}_1) &= -4d, & l_2(\mathbf{m} + \mathbf{e}_1) &= 4d, \\ l_1(\mathbf{m} + \mathbf{e}_2) &= 4d, & l_2(\mathbf{m} + \mathbf{e}_2) &= -4d, \end{aligned}$$

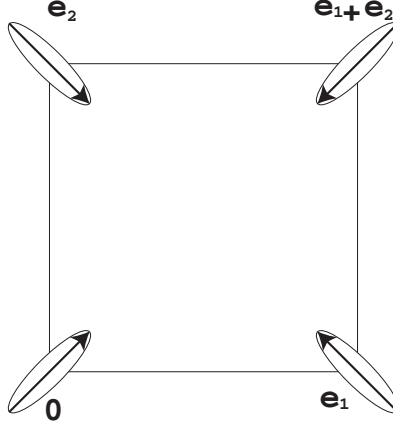


Fig. 2. The ordering pattern for quadrupole moments: Q_{12} and orbital angular momenta: $\mathbf{l} = (l_1, l_2)$ in the $G(XB_{3g}0, 1)_2$ state. The ovals and arrows represent Q_{12} and orbital angular momentum \mathbf{l} , respectively.

$$\begin{aligned}
 l_1(\mathbf{m} + \mathbf{e}_1 + \mathbf{e}_2) &= -4d, & l_2(\mathbf{m} + \mathbf{e}_1 + \mathbf{e}_2) &= -4d \\
 Q_{12}(\mathbf{m}) &= 4I_2c, & Q_{12}(\mathbf{m} + \mathbf{e}_1) &= -4I_2c, \\
 Q_{12}(\mathbf{m} + \mathbf{e}_2) &= -4I_2c, & Q_{12}(\mathbf{m} + \mathbf{e}_1 + \mathbf{e}_2) &= 4I_2c
 \end{aligned} \tag{5.33}$$

The ordering pattern of Q_{12} and $\mathbf{l} = (l_1, l_2)$ for the $G(XB_{3g}, 0, 1)_3$ state is shown in Fig. 2. Note that the onset of quadrupole moment Q_{12} is induced by the transition to the $G(XB_{3g}, 0, 1)_2$ with the orbital angular momentum.

By a similar manner to the case of $G(XB_{3g}, 0, 1)_2$, we can see that all states having isotropy subgroups such as $G(\Lambda, 0, 1)$ or $G(\Lambda, 0, 1)_j$ ($j = 1, 2$), which break the time reversal symmetry, have complex occupied orbitals and orbital angular momentum as LOP.

§6. Symmetry classes of magnetic orbital ordered states

In order to list magnetic orbital ordered states with ordering vectors \mathbf{Q}_l ($l = 0, 1, 2, 3$), bifurcating from the normal state, we present the axial isotropy subgroups of the R-reps $\check{G}_0^{(\Gamma j, 1, \nu)}$, $\check{G}_0^{(M j, 1, \nu)}$ and $\check{G}_0^{(X \gamma, 1, \nu)}$. The axial isotropy subgroups of R-reps $\check{G}_0^{(\Gamma j, 1, \nu)}$ and $\check{G}_0^{(M j, 1, \nu)}$ are listed in Table IX. Those of $\check{G}_0^{(X j, 1, \nu)}$ are listed in Table X.

Spin magnetic states are classified into two groups: collinear and non-collinear magnetic states. The collinear magnetic state has the isotropy subgroup containing the subgroup $\mathbf{A}(\mathbf{e}_3)$: the spin rotation around z axis. The isotropy subgroup of the non-collinear magnetic state does not contain $\mathbf{A}(\mathbf{e}_3)$.

Non-collinear magnetic states are derived from the R-reps: $G_0^{(\Lambda E_g, 1, 1)}$, $G_0^{(\Lambda E_g, 1, 0)}$, $G_0^{(X A_{1g}, 1, 1)}$, $G_0^{(X B_{1g}, 1, 1)}$ and $G_0^{(X B_{1g}, 1, 0)}$ where $\Lambda = \Gamma, M$ and $j = 1, 2, 3$. The corresponding non-collinear magnetic states are $G(\Gamma E_g, 1, 1)_3$, $G(\Gamma E_g, 1, 0)_3$, $G(M E_g, 1, 1)_3$, $G(M E_g, 1, 0)_3$, $G(X A_g, 1, 1)_3$, $G(X B_{ig}, 1, 1)_3$ and $G(X B_{ig}, 1, 0)_3$ ($i =$

Symmetry Classes of Spin and Orbital Ordered States in a t_{2g} Hubbard Model 29

Table IX. Axial isotropy subgroup and its Fixed point subspace of $\check{G}_0^{(\Gamma_j, 1, \nu)}$ and $\check{G}_0^{(M_j, 1, \nu)}$

R-rep	axial isotropy subgroup	Fixed point subspace
$\check{G}_0^{(\Gamma A_{1g}, 1, 1)}$	$G(\Gamma A_{1g}, 1, 1) = M(\mathbf{e}_2)D_{4h}L_0\mathbf{A}(\mathbf{e}_3)$	$\{h_{1,1,1}\}_{\mathbf{R}}$
$\check{G}_0^{(\Gamma A_{2g}, 1, 0)}$	$G(\Gamma A_{2g}, 1, 0) = D_{4h}(E, u_{2x})L_0\mathbf{A}(\mathbf{e}_3)\mathbf{R}$	$\{h_{1,3,1}\}_{\mathbf{R}}$
$\check{G}_0^{(\Gamma B_{1g}, 1, 1)}$	$G(\Gamma B_{1g}, 1, 1) = M(\mathbf{e}_2)D_{4h}(u_{2x}, E)L_0\mathbf{A}(\mathbf{e}_3)$	$\{h_{1,3,1}\}_{\mathbf{R}}$
$\check{G}_0^{(\Gamma B_{2g}, 1, 1)}$	$G(\Gamma B_{2g}, 1, 1) = M(\mathbf{e}_2)D_{4h}(u_{2x}, u_{2x})L_0\mathbf{A}(\mathbf{e}_3)$	$\{h_{1,3,1}\}_{\mathbf{R}}$
$\check{G}_0^{(\Gamma E_g, 1, 1)}$	$G(\Gamma E_g, 1, 1)_1 = M(\mathbf{e}_2)D_{2h}(u_{2x}, E)L_0\mathbf{A}(\mathbf{e}_3)$	$\{h_{1,3,1}\}_{\mathbf{R}}$
	$G(\Gamma E_g, 1, 1)_2 = M(\mathbf{e}_2)D_{2ah}(u_{2x}, E)L_0\mathbf{A}(\mathbf{e}_3)$	$\{h_{1,3,1} + h_{2,3,1}\}_{\mathbf{R}}$
	$G(\Gamma E_g, 1, 1)_3 = M(\mathbf{e}_3)D_{4h}(u_{4z}^+, u_{2x})L_0$	$\{h_{1,1,1} + h_{2,2,1}\}_{\mathbf{R}}$
$\check{G}_0^{(\Gamma E_g, 1, 0)}$	$G(\Gamma E_g, 1, 0)_1 = D_{2h}(u_{2x}, E)L_0\mathbf{A}(\mathbf{e}_3)\mathbf{R}$	$\{h_{1,3,1}\}_{\mathbf{R}}$
	$G(\Gamma E_g, 1, 0)_2 = D_{2ah}(u_{2x}, E)L_0\mathbf{A}(\mathbf{e}_3)\mathbf{R}$	$\{h_{1,3,1} + h_{2,3,1}\}_{\mathbf{R}}$
	$G(\Gamma E_g, 1, 0)_3 = D_{4h}(u_{4z}^+, u_{2x})L_0\mathbf{R}$	$\{h_{1,3,1} + h_{2,2,1}\}_{\mathbf{R}}$
$\check{G}_0^{(MA_{1g}, 1, 1)}$	$G(MA_{1g}, 1, 1) = M(\mathbf{e}_2)T^x(\mathbf{e}_1)D_{4h}L_1\mathbf{A}(\mathbf{e}_3)$	$\{h_{1,1,1}\}_{\mathbf{R}}$
$\check{G}_0^{(MA_{2g}, 1, 0)}$	$G(MA_{2g}, 1, 0) = T_x(\mathbf{e}_1)T^x(\mathbf{e}_1)D_{4h}(E, u_{2x})L_1\mathbf{A}(\mathbf{e}_3)\mathbf{R}$	$\{h_{1,3,1}\}_{\mathbf{R}}$
$\check{G}_0^{(MB_{1g}, 1, 1)}$	$G(MB_{1g}, 1, 1) = M(\mathbf{e}_2)T^x(\mathbf{e}_1)T_a(\mathbf{e}_1)D_{4h}(u_{2x}, E)L_1\mathbf{A}(\mathbf{e}_3)$	$\{h_{1,3,1}\}_{\mathbf{R}}$
$\check{G}_0^{(MB_{2g}, 1, 1)}$	$G(MB_{2g}, 1, 1) = M(\mathbf{e}_2)T^x(\mathbf{e}_1)T_x(\mathbf{e}_1)D_{4h}(u_{2x}, u_{2x})L_1\mathbf{A}(\mathbf{e}_3)$	$\{h_{1,3,1}\}_{\mathbf{R}}$
$\check{G}_0^{(ME_g, 1, 1)}$	$G(ME_g, 1, 1)_1 = M(\mathbf{e}_2)T^x(\mathbf{e}_1)T_y(\mathbf{e}_1)D_{2h}(u_{2x}, E)L_1\mathbf{A}(\mathbf{e}_3)$	$\{h_{1,3,1}\}_{\mathbf{R}}$
	$G(ME_g, 1, 1)_2 = M(\mathbf{e}_2)T^x(\mathbf{e}_1)T_b(\mathbf{e}_1)D_{2ah}(u_{2x}, E)L_1\mathbf{A}(\mathbf{e}_3)$	$\{h_{1,3,1} + h_{2,3,1}\}_{\mathbf{R}}$
	$G(ME_g, 1, 1)_3 = M(\mathbf{e}_3)T_z(\mathbf{e}_1)D_{4h}(u_{4z}^+, u_{2x})L_1$	$\{h_{1,1,1} + h_{2,2,1}\}_{\mathbf{R}}$
$\check{G}_0^{(ME_g, 1, 0)}$	$G(ME_g, 1, 0)_1 = T^x(\mathbf{e}_1)T_y(\mathbf{e}_1)D_{2h}(u_{2x}, E)L_1\mathbf{A}(\mathbf{e}_3)\mathbf{R}$	$\{h_{1,3,1}\}_{\mathbf{R}}$
	$G(ME_g, 1, 0)_2 = T^x(\mathbf{e}_1)T_y(\mathbf{e}_1)D_{2ah}(u_{2x}, E)L_1\mathbf{A}(\mathbf{e}_3)\mathbf{R}$	$\{h_{1,3,1} + h_{2,3,1}\}_{\mathbf{R}}$
	$G(ME_g, 1, 0)_3 = T^z(\mathbf{e}_1)T_z(\mathbf{e}_1)D_{4h}(u_{4z}^+, u_{2x})L_1\mathbf{R}$	$\{h_{1,3,1} + h_{2,2,1}\}_{\mathbf{R}}$
$L_0 = L(\mathbf{e}_1, \mathbf{e}_2), L_1 = L(\mathbf{e}_1 + \mathbf{e}_2, \mathbf{e}_2 - \mathbf{e}_1)$		
$u_{2i} = u(\mathbf{e}_i, \pi) \in \mathbf{S}, M(\mathbf{e}_i) = \{E, tu_{2i}\}$		
$A(\mathbf{e}_i) = \{u(\mathbf{e}_3, \theta) \mid 0 \leq \theta \leq 2\pi\}$		
$D_{4h}(\alpha, \beta) = \{(E, C_{4z}^+\alpha, C_{2z}\alpha^2, C_{4z}^-\alpha^-) + C_{2x}\beta(E, C_{4z}^+\alpha, C_{2z}\alpha^2, C_{4z}^-\alpha^-)\} \times C_I$		
$D_{2h}(\alpha, \beta) = \{(E, C_{2z}\alpha) + C_{2x}\beta(E, C_{2z}\alpha)\} \times C_I$		
$D_{2ah}(\alpha, \beta) = \{(E, C_{2z}\alpha) + C_{2a}\beta(E, C_{2z}\alpha)\} \times C_I$		
$T^i(\mathbf{e}_m) = \{E, u_{2i}T(\mathbf{e}_m)\}$		
$T_i(\mathbf{e}_m) = \{E, C_{2i}T(\mathbf{e}_m)\}$		

Table X. Axial isotropy subgroup and its Fixed point subspace of $\tilde{G}_0^{(Xj,1,\nu)}$

R-rep	axial isotropy subgroup	Fixed point subspace
$\tilde{G}_0^{(XA_{1g},1,1)}$	$G(XA_{1g}, 1, 1)_1 = M(\mathbf{e}_2)T^x(\mathbf{e}_1)\mathbf{D}_{2h}\mathbf{L}_2\mathbf{A}(\mathbf{e}_3)$	$\{h_{1,3,1}\}_{\mathbf{R}}$
	$G(XA_{1g}, 1, 1)_2 = M(\mathbf{e}_2)T^x(\mathbf{e}_1 + \mathbf{e}_2)\mathbf{D}_{4h}\mathbf{L}_3\mathbf{A}(\mathbf{e}_3)$	$\{h_{1,3,1} + h_{2,3,1}\}_{\mathbf{R}}$
	$G(XA_{1g}, 1, 1)_3 = M(\mathbf{e}_3)T^x(\mathbf{e}_2)T^y(\mathbf{e}_1)\mathbf{D}_{4h}(u_{2a}, E)\mathbf{L}_3$	$\{h_{1,1,1} + h_{2,2,1}\}_{\mathbf{R}}$
$\tilde{G}_0^{(XB_{1g},1,1)}$	$G(XB_{1g}, 1, 1)_1 = M(\mathbf{e}_2)T^x(\mathbf{e}_1)\mathbf{D}_{2h}(E, u_{2x})\mathbf{L}_2\mathbf{A}(\mathbf{e}_3)$	$\{h_{1,3,1}\}_{\mathbf{R}}$
	$G(XB_{1g}, 1, 1)_2 = M(\mathbf{e}_2)T^x(\mathbf{e}_1 + \mathbf{e}_2)\mathbf{D}_{4h}(u_{2x}, u_{2x})\mathbf{L}_3\mathbf{A}(\mathbf{e}_3)$	$\{h_{1,3,1} + h_{2,3,1}\}_{\mathbf{R}}$
	$G(XB_{1g}, 1, 1)_3 = M(\mathbf{e}_3)T^x(\mathbf{e}_2)T^y(\mathbf{e}_1)\mathbf{D}_{4h}(u_{2b}, u_{2x})\mathbf{L}_3$	$\{h_{1,1,1} + h_{2,2,1}\}_{\mathbf{R}}$
$\tilde{G}_0^{(XB_{2g},1,1)}$	$G(XB_{2g}, 1, 1)_1 = M(\mathbf{e}_2)T^x(\mathbf{e}_1)\mathbf{D}_{2h}(u_{2x}, u_{2x})\mathbf{L}_2\mathbf{A}(\mathbf{e}_3)$	$\{h_{1,3,1}\}_{\mathbf{R}}$
	$G(XB_{2g}, 1, 1)_2 = M(\mathbf{e}_2)T_x(\mathbf{e}_1)T_y(\mathbf{e}_2)\mathbf{D}_{2ah}(u_{2x}, E)\mathbf{L}_3\mathbf{A}(\mathbf{e}_3)$	$\{h_{1,3,1} + h_{2,3,1}\}_{\mathbf{R}}$
	$G(XB_{2g}, 1, 1)_3 = M(\mathbf{e}_3)T_x(\mathbf{e}_1)T_y(\mathbf{e}_2)\mathbf{D}_{4h}(u_{4z}^+, u_{2x})\mathbf{L}_3$	$\{h_{1,1,1} + h_{2,2,1}\}_{\mathbf{R}}$
$\tilde{G}_0^{(XB_{3g},1,1)}$	$G(XB_{3g}, 1, 1)_1 = M(\mathbf{e}_2)T_y(\mathbf{e}_1)\mathbf{D}_{2h}(u_{2x}, E)\mathbf{L}_2\mathbf{A}(\mathbf{e}_3)$	$\{h_{1,3,1}\}_{\mathbf{R}}$
	$G(XB_{3g}, 1, 1)_2 = M(\mathbf{e}_2)T_x(\mathbf{e}_2)T_y(\mathbf{e}_1)\mathbf{D}_{2ah}(u_{2x}, E)\mathbf{L}_3\mathbf{A}(\mathbf{e}_3)$	$\{h_{1,3,1} + h_{2,3,1}\}_{\mathbf{R}}$
	$G(XB_{3g}, 1, 1)_3 = M(\mathbf{e}_3)T_x(\mathbf{e}_2)T_y(\mathbf{e}_1)\mathbf{D}_{4h}(u_{4z}^+, u_{2x})\mathbf{L}_3$	$\{h_{1,1,1} + h_{2,2,1}\}_{\mathbf{R}}$
$\tilde{G}_0^{(XB_{1g},1,0)}$	$G(XB_{1g}, 1, 0)_1 = T^x(\mathbf{e}_1)\mathbf{D}_{2h}(E, u_{2x})\mathbf{L}_2\mathbf{A}(\mathbf{e}_3)\mathbf{R}$	$\{h_{1,3,1}\}_{\mathbf{R}}$
	$G(XB_{1g}, 1, 0)_2 = T^x(\mathbf{e}_1 + \mathbf{e}_2)\mathbf{D}_{4h}(u_{2x}, u_{2x})\mathbf{L}_3\mathbf{A}(\mathbf{e}_3)\mathbf{R}$	$\{h_{1,3,1} + h_{2,3,1}\}_{\mathbf{R}}$
	$G(XB_{1g}, 1, 0)_3 = T^x(\mathbf{e}_2)T^y(\mathbf{e}_1)\mathbf{D}_{4h}(u_{2b}, u_{2x})\mathbf{L}_3\mathbf{R}$	$\{h_{1,1,1} + h_{2,2,1}\}_{\mathbf{R}}$
$\tilde{G}_0^{(XB_{2g},1,0)}$	$G(XB_{2g}, 1, 0)_1 = T^x(\mathbf{e}_1)\mathbf{D}_{2h}(u_{2x}, u_{2x})\mathbf{L}_2\mathbf{A}(\mathbf{e}_3)\mathbf{R}$	$\{h_{1,3,1}\}_{\mathbf{R}}$
	$G(XB_{2g}, 1, 0)_2 = T_x(\mathbf{e}_1)T_y(\mathbf{e}_2)\mathbf{D}_{2ah}(u_{2x}, E)\mathbf{L}_3\mathbf{A}(\mathbf{e}_3)\mathbf{R}$	$\{h_{1,3,1} + h_{2,3,1}\}_{\mathbf{R}}$
	$G(XB_{2g}, 1, 0)_3 = T_x(\mathbf{e}_1)T_y(\mathbf{e}_2)\mathbf{D}_{4h}(u_{4z}^+, u_{2x})\mathbf{L}_3\mathbf{R}$	$\{h_{1,1,1} + h_{2,2,1}\}_{\mathbf{R}}$
$\tilde{G}_0^{(XB_{3g},1,0)}$	$G(XB_{3g}, 1, 0)_1 = T_y(\mathbf{e}_1)\mathbf{D}_{2h}(u_{2x}, E)\mathbf{L}_2\mathbf{A}(\mathbf{e}_3)\mathbf{R}$	$\{h_{1,3,1}\}_{\mathbf{R}}$
	$G(XB_{3g}, 1, 0)_2 = T_x(\mathbf{e}_2)T_y(\mathbf{e}_1)\mathbf{D}_{2ah}(u_{2x}, E)\mathbf{L}_3\mathbf{A}(\mathbf{e}_3)\mathbf{R}$	$\{h_{1,3,1} + h_{2,3,1}\}_{\mathbf{R}}$
	$G(XB_{3g}, 1, 0)_3 = T_x(\mathbf{e}_2)T_y(\mathbf{e}_1)\mathbf{D}_{4h}(u_{4z}^+, u_{2x})\mathbf{L}_3\mathbf{R}$	$\{h_{1,1,1} + h_{2,2,1}\}_{\mathbf{R}}$
$\mathbf{L}_2 = \mathbf{L}(2\mathbf{e}_1, \mathbf{e}_2), \mathbf{L}_3 = \mathbf{L}(2\mathbf{e}_1, 2\mathbf{e}_2)$		
$u_{2i} = u(\mathbf{e}_i, \pi), u_{2a} = u(\mathbf{e}_1 + \mathbf{e}_2, \pi), u_{2b} = u(-\mathbf{e}_1 + \mathbf{e}_2, \pi) \in \mathcal{S}$		
$M(\mathbf{e}_i) = \{E, tu_{2i}\}, T^i(\mathbf{e}_m) = \{E, u_{2i}T(\mathbf{e}_m)\}, T_i(\mathbf{e}_m) = \{E, C_{2i}T(\mathbf{e}_m)\}$		
$\mathbf{D}_{2h}(\alpha, \beta) = \{(E, C_{2z}\alpha) + C_{2x}\beta(E, C_{2z}\alpha)\} \times \mathbf{C}_I$		
$\mathbf{D}_{2ah}(\alpha, \beta) = \{(E, C_{2z}\alpha) + C_{2a}\beta(E, C_{2z}\alpha)\} \times \mathbf{C}_I$		
$\mathbf{D}_{4h}(\alpha, \beta) = \{(E, C_{4z}^+\alpha, C_{2z}\alpha^2, C_{4z}^-\alpha^{-1}) + C_{2x}\beta(E, C_{4z}^+\alpha, C_{2z}\alpha^2, C_{4z}^-\alpha^{-1})\} \times \mathbf{C}_I$		

1, 2, 3). All states in Table IX and X except these eleven states are collinear magnetic states. We consider collinear and non-collinear magnetic states separately.

6.1. Collinear magnetic state

All axial isotropy subgroups of collinear magnetic states contain $A(\mathbf{e}_3)$, then $\mathbf{R}^{l1} = \mathbf{R}^{l2} = 0$ for $l = 0, 1, 2, 3$. Thus in these cases we obtain from (3.26)

$$\mathbf{D}^{\uparrow\downarrow}(\mathbf{m}) = \mathbf{D}^{\downarrow\uparrow}(\mathbf{m}) = 0. \quad (6.1)$$

We consider two examples.

Example 6.1. $G(\Gamma A_{1g}, 1, 1)$ state.

In this case, the isotropy subgroup $G(H_m)$ of H_m is

$$G(\Gamma A_{1g}, 1, 1) = M(\mathbf{e}_2)\mathbf{D}_{4h}\mathbf{L}_0\mathbf{A}(\mathbf{e}_3). \quad (6.2)$$

From \mathbf{L}_0 invariance of $\mathbf{R}^{l\lambda}$ we can see that only \mathbf{R}^{00} and \mathbf{R}^{03} are non-zero.

From $C_{2x}, C_{2z}, C_{2a}(\in \mathbf{D}_{4h})$ invariance of \mathbf{R}^{00} and \mathbf{R}^{03} , we obtain

$$\mathbf{R}^{00} = \begin{pmatrix} a & 0 & 0 \\ 0 & a & 0 \\ 0 & 0 & b \end{pmatrix}, \quad \mathbf{R}^{03} = \begin{pmatrix} c & 0 & 0 \\ 0 & c & 0 \\ 0 & 0 & d \end{pmatrix}, \quad (6.3)$$

where a, b, c and d are real numbers. From (3.26) we obtain

$$\begin{aligned} \mathbf{D}^{\uparrow\uparrow}(\mathbf{m}) &= \mathbf{R}^{00} + \mathbf{R}^{03} = \begin{pmatrix} a+c & 0 & 0 \\ 0 & a+c & 0 \\ 0 & 0 & b+d \end{pmatrix}, \\ \mathbf{D}^{\downarrow\downarrow}(\mathbf{m}) &= \mathbf{R}^{00} - \mathbf{R}^{03} = \begin{pmatrix} a-c & 0 & 0 \\ 0 & a-c & 0 \\ 0 & 0 & b-d \end{pmatrix}. \end{aligned} \quad (6.4)$$

In Table XI, we list the occupied atomic orbitals and their occupation numbers for $G(\Gamma A_{1g}, 1, 1)$ state. From (3.43) the spin density at the site \mathbf{m} is given by

Table XI. Occupied atomic orbitals and their occupation numbers for $G(\Gamma A_{1g}, 1, 1)$ state

site	spin	atomic orbital	occupation number
\mathbf{m}	\uparrow	$\psi_1 = \phi_1$	$a + c$
\mathbf{m}	\uparrow	$\psi_2 = \phi_2$	$a + c$
\mathbf{m}	\uparrow	$\psi_3 = \phi_3$	$b + d$
\mathbf{m}	\downarrow	$\psi_1 = \phi_1$	$a - c$
\mathbf{m}	\downarrow	$\psi_2 = \phi_2$	$a - c$
\mathbf{m}	\downarrow	$\psi_3 = \phi_3$	$b - d$
$a = R_{11}^{00} = R_{22}^{00}, b = R_{33}^{00}, c = R_{11}^{03} = R_{22}^{03}, d = R_{33}^{03}$			

$$s^3(\mathbf{m}) = \sum_{j=1}^3 R_{jj}^{03} = 2c + d \quad (6.5)$$

This state corresponds to the usual ferromagnetic state without orbital order.

Next we consider M point collinear magnetic state. From L_1 invariance of $\mathbf{R}^{l\lambda}$, only $\mathbf{R}^{l\lambda}(l = 1, 0, \lambda = 0, 3)$ are non-zero.

Example 6.2. $G(MB_{1g}, 1, 1)$ state.

In this case, the isotropy subgroup $G(H_m)$ of H_m is

$$G(MB_{1g}, 1, 1) = M(\mathbf{e}_2)T^x(\mathbf{e}_1)T_a(\mathbf{e}_1)\mathbf{D}_{4h}(u_{2x}, E)L_1\mathbf{A}(\mathbf{e}_3). \quad (6.6)$$

From $C_{2x}, C_{2z}, C_{2a}T(\mathbf{e}_1) \in G(MB_{1g}, 1, 1)$ invariance, we can see that only \mathbf{R}^{00} and \mathbf{R}^{13} are non-zero and

$$\mathbf{R}^{00} = \begin{pmatrix} a & 0 & 0 \\ 0 & a & 0 \\ 0 & 0 & b \end{pmatrix}, \quad \mathbf{R}^{13} = \begin{pmatrix} c & 0 & 0 \\ 0 & -c & 0 \\ 0 & 0 & 0 \end{pmatrix}, \quad (6.7)$$

where a, b and c are real numbers. From (3.26), we obtain for \mathbf{m} such that $T(\mathbf{m}) \in L_1$

$$\begin{aligned} \mathbf{D}^{\uparrow\uparrow}(\mathbf{m}) &= \begin{pmatrix} a+c & 0 & 0 \\ 0 & a-c & 0 \\ 0 & 0 & b \end{pmatrix}, \quad \mathbf{D}^{\downarrow\downarrow}(\mathbf{m}) = \begin{pmatrix} a-c & 0 & 0 \\ 0 & a+c & 0 \\ 0 & 0 & b \end{pmatrix}, \\ \mathbf{D}^{\uparrow\uparrow}(\mathbf{m} + \mathbf{e}_j) &= \begin{pmatrix} a-c & 0 & 0 \\ 0 & a+c & 0 \\ 0 & 0 & b \end{pmatrix}, \quad \mathbf{D}^{\downarrow\downarrow}(\mathbf{m}) = \begin{pmatrix} a+c & 0 & 0 \\ 0 & a-c & 0 \\ 0 & 0 & b \end{pmatrix}. \end{aligned} \quad (6.8)$$

In Table XII we list the occupied atomic orbitals and their occupation numbers for $G(MB_{1g}, 1, 1)$ state. From (3.43), we see that this state has the spin quadrupole

Table XII. Occupied atomic orbitals and their occupation numbers for $G(MB_{1g}, 1, 1)$ state

site	spin	atomic orbital	occupation number
\mathbf{m}	\uparrow	$\psi_1 = \phi_1$	$a + c$
\mathbf{m}	\uparrow	$\psi_2 = \phi_2$	$a - c$
\mathbf{m}	\uparrow	$\psi_3 = \phi_3$	b
\mathbf{m}	\downarrow	$\psi_1 = \phi_1$	$a - c$
\mathbf{m}	\downarrow	$\psi_2 = \phi_2$	$a + c$
\mathbf{m}	\downarrow	$\psi_3 = \phi_3$	b
$\mathbf{m} + \mathbf{e}_j$	\uparrow	$\psi_1 = \phi_1$	$a - c$
$\mathbf{m} + \mathbf{e}_j$	\uparrow	$\psi_2 = \phi_2$	$a + c$
$\mathbf{m} + \mathbf{e}_j$	\uparrow	$\psi_3 = \phi_3$	b
$\mathbf{m} + \mathbf{e}_j$	\downarrow	$\psi_1 = \phi_1$	$a + c$
$\mathbf{m} + \mathbf{e}_j$	\downarrow	$\psi_2 = \phi_2$	$a - c$
$\mathbf{m} + \mathbf{e}_j$	\downarrow	$\psi_3 = \phi_3$	b

$j=1,2, a = R_{11}^{00} = R_{22}^{00}, b = R_{33}^{00}, c = R_{11}^{13} = -R_{22}^{13}$

moment $Q_2^{23}(\mathbf{m})$, for \mathbf{m} such that $T(\mathbf{m}) \in \mathbf{L}_1$, as follows:

$$Q_2^{23}(\mathbf{m}) = 2cI_1, Q_2^{23}(\mathbf{m} + \mathbf{e}_j) = -2cI_1, j = 1, 2. \quad (6-9)$$

From (3-43) we obtain

$$\begin{aligned} Q_2^2(\mathbf{m}) &= I_1(R_{11}^{00} - R_{22}^{00}) = c - c = 0, \\ s^3(\mathbf{m}) &= e^{-i\mathbf{Q}_1 \cdot \mathbf{m}} \sum_{j=1}^3 R_{jj}^{13} = e^{-i\mathbf{Q}_1 \cdot \mathbf{m}}(c - c) = 0. \end{aligned} \quad (6-10)$$

Thus $G(MB_{1g}, 1, 1)$ state, which has the spin quadrupole moment Q_2^{23} , is not the coexisting state of quadrupole moment $Q_2^2(\mathbf{m})$ and spin density $s^3(\mathbf{m})$.

6.2. Non-collinear magnetic state

First we consider M point non-collinear magnetic state.

Example 6.3. $G(ME_g, 1, 1)_3$ state.

In this case, the isotropy subgroup $G(H_m)$ of H_m is

$$G(ME_g, 1, 1)_3 = M(\mathbf{e}_3)T_z(\mathbf{e}_1)\mathbf{D}_{4h}(u_{4z}^+, u_{2x})\mathbf{L}_1. \quad (6-11)$$

From $T(\mathbf{e}_1 + \mathbf{e}_2) \in \mathbf{L}_1$ invariance of $\mathbf{R}^{l\lambda}$, we can see that $\mathbf{R}^{2\lambda} = \mathbf{R}^{3\lambda} = 0$. From $tu_{2z} \in M(\mathbf{e}_3)$ invariance, we see that $\mathbf{R}^{l0}, \mathbf{R}^{l1}$ and $\mathbf{R}^{l2}(l = 0, 1)$ are real matrices and \mathbf{R}^{03} and \mathbf{R}^{13} are pure imaginary matrices. From $C_{2z}T(\mathbf{e}_1)$ and $C_{2z}u_{2z}, C_{2x}u_{2x}, C_{2a}u_{2a} \in \mathbf{D}_{4h}(u_{4z}^+, u_{2x})$ invariance we can see that only $\mathbf{R}^{00}, \mathbf{R}^{03}, \mathbf{R}^{11}$ and \mathbf{R}^{12} are non-zero and have following forms.

$$\begin{aligned} \mathbf{R}^{00} &= \begin{pmatrix} a & 0 & 0 \\ 0 & a & 0 \\ 0 & 0 & b \end{pmatrix}, & \mathbf{R}^{03} &= \begin{pmatrix} 0 & ic & 0 \\ -ic & 0 & 0 \\ 0 & 0 & 0 \end{pmatrix}, \\ \mathbf{R}^{11} &= \begin{pmatrix} 0 & 0 & 0 \\ 0 & 0 & d \\ 0 & d & 0 \end{pmatrix}, & \mathbf{R}^{12} &= \begin{pmatrix} 0 & 0 & -d \\ 0 & 0 & 0 \\ -d & 0 & 0 \end{pmatrix}, \end{aligned} \quad (6-12)$$

where a, b, c and d are real numbers, and i is imaginary unit. From (3-26) and (3-29), we obtain, for \mathbf{m} such that $T(\mathbf{m}) \in \mathbf{L}_1$,

$$\begin{aligned} \mathcal{D}(\mathbf{m}) &= \begin{pmatrix} a & ic & 0 & 0 & 0 & id \\ -ic & a & 0 & 0 & 0 & d \\ 0 & 0 & b & id & d & 0 \\ 0 & 0 & -id & a & -ic & 0 \\ 0 & 0 & d & ic & a & 0 \\ -id & d & 0 & 0 & 0 & b \end{pmatrix}, \\ \mathcal{D}(\mathbf{m} + \mathbf{e}_j) &= \begin{pmatrix} a & ic & 0 & 0 & 0 & -id \\ -ic & a & 0 & 0 & 0 & -d \\ 0 & 0 & b & -id & -d & 0 \\ 0 & 0 & id & a & -ic & 0 \\ 0 & 0 & -d & ic & a & 0 \\ id & -d & 0 & 0 & 0 & b \end{pmatrix} \quad (j = 1, 2). \end{aligned} \quad (6-13)$$

Diagonalizing \mathcal{D} , we obtain occupied general spin orbitals and their occupation numbers as in Table XIII. From (3.43) we see that this state has following local order

Table XIII. Occupied general spin orbitals and their occupation numbers for $G(ME_g, 1, 1)_3$ state

site	general spin orbital	occupation number
\mathbf{m}	$\psi_1 = \frac{\text{sgn}(d)}{\sqrt{2}}u(i\phi_1 + \phi_2) \uparrow\rangle + w\phi_3 \downarrow\rangle$	λ_1
\mathbf{m}	$\psi_2 = \frac{\text{sgn}(d)}{\sqrt{2}}u(-i\phi_1 + \phi_2) \downarrow\rangle + w\phi_3 \uparrow\rangle$	λ_1
\mathbf{m}	$\psi_3 = \frac{\text{sgn}(d)}{\sqrt{2}}w(-i\phi_1 - \phi_2) \uparrow\rangle + u\phi_3 \downarrow\rangle$	λ_2
\mathbf{m}	$\psi_4 = \frac{\text{sgn}(d)}{\sqrt{2}}w(i\phi_1 - \phi_2) \downarrow\rangle + u\phi_3 \uparrow\rangle$	λ_2
\mathbf{m}	$\psi_5 = \frac{1}{\sqrt{2}}(\phi_1 + i\phi_2) \uparrow\rangle$	λ_3
\mathbf{m}	$\psi_6 = \frac{1}{\sqrt{2}}(\phi_1 - i\phi_2) \downarrow\rangle$	λ_3
$\mathbf{m} + \mathbf{e}_j$	$\psi_1 = \frac{\text{sgn}(d)}{\sqrt{2}}u(i\phi_1 + \phi_2) \uparrow\rangle - w\phi_3 \downarrow\rangle$	λ_1
$\mathbf{m} + \mathbf{e}_j$	$\psi_2 = \frac{\text{sgn}(d)}{\sqrt{2}}u(-i\phi_1 + \phi_2) \downarrow\rangle - w\phi_3 \uparrow\rangle$	λ_1
$\mathbf{m} + \mathbf{e}_j$	$\psi_3 = \frac{\text{sgn}(d)}{\sqrt{2}}w(-i\phi_1 - \phi_2) \uparrow\rangle - u\phi_3 \downarrow\rangle$	λ_2
$\mathbf{m} + \mathbf{e}_j$	$\psi_4 = \frac{\text{sgn}(d)}{\sqrt{2}}w(i\phi_1 - \phi_2) \downarrow\rangle - u\phi_3 \uparrow\rangle$	λ_2
$\mathbf{m} + \mathbf{e}_j$	$\psi_5 = \frac{1}{\sqrt{2}}(\phi_1 + i\phi_2) \uparrow\rangle$	λ_3
$\mathbf{m} + \mathbf{e}_j$	$\psi_6 = \frac{1}{\sqrt{2}}(\phi_1 - i\phi_2) \downarrow\rangle$	λ_3
$T(\mathbf{m}) \in L_1$		
$j = 1, 2, u = \frac{1}{\sqrt{2}}(1 + \frac{a-b+c}{\sqrt{(a-b+c)^2+8d^2}})^{\frac{1}{2}}, w = \frac{1}{\sqrt{2}}(1 - \frac{a-b+c}{\sqrt{(a-b+c)^2+8d^2}})^{\frac{1}{2}}$		
$a = R_{11}^{00} = R_{22}^{00}, b = R_{33}^{00}, ic = R_{12}^{03} = -R_{21}^{03}, d = R_{23}^{11} = R_{32}^{11} = -R_{13}^{12} = -R_{31}^{12}$		
$\lambda_1 = \frac{a+b+c+\sqrt{(a-b+c)^2+8d^2}}{2}, \lambda_2 = \frac{a+b+c-\sqrt{(a-b+c)^2+8d^2}}{2}, \lambda_3 = a - c$		

parameters. For \mathbf{m} such that $T(\mathbf{m}) \in L_1$ and $j = 1, 2$, we obtain

$$\begin{aligned}
Q_{23}^1(\mathbf{m}) &= 2I_2d, \quad Q_{23}^1(\mathbf{m} + \mathbf{e}_j) = -2I_2d, \\
Q_{31}^2(\mathbf{m}) &= -2I_2d, \quad Q_{31}^2(\mathbf{m} + \mathbf{e}_j) = 2I_2d, \\
l_3^3(\mathbf{m}) &= l_3^3(\mathbf{m} + \mathbf{e}_j) = 2c.
\end{aligned} \tag{6.14}$$

Note that the onset of ferro spin orbital angular momentum: l_3^3 is induced by the transition to the $G(ME_g, 1, 1)_3$ state having non-collinear spin quadrupole moment: $\{Q_{23}^1, Q_{31}^2\}$.

From (3.43) we can see that for all site \mathbf{m}

$$\begin{aligned}
s^3(\mathbf{m}) &= s^1(\mathbf{m}) = s^2(\mathbf{m}) = 0, \\
l_3(\mathbf{m}) &= 0, \\
Q_{23}(\mathbf{m}) &= Q_{31}(\mathbf{m}) = 0.
\end{aligned} \tag{6.15}$$

The important point to note is that the existence of order parameters $l_3^3(\mathbf{m}), Q_{23}^1(\mathbf{m})$ and $Q_{31}^2(\mathbf{m})$ does not mean the coexistence of spin density $s^3(\mathbf{m})$ and orbital an-

gular momentum $l_3(\mathbf{m})$ nor spin densities $s^1(\mathbf{m}), s^2(\mathbf{m})$ and quadrupole moment $Q_{23}(\mathbf{m}), Q_{31}(\mathbf{m})$.

Next we consider X point non-collinear magnetic state. We consider two examples.

Example 6.4. $G(XA_g, 1, 1)_3$ state.

The isotropy subgroup of the $G(XA_g, 1, 1)_3$ state is

$$G(XA_g, 1, 1)_3 = M(\mathbf{e}_3)T^x(\mathbf{e}_2)T^y(\mathbf{e}_1)\mathbf{D}_{4h}(u_{2a}, E)\mathbf{L}_3. \quad (6-16)$$

From $u_{2x}T(\mathbf{e}_2) (\in T^x(\mathbf{e}_2))$ and $u_{2y}T(\mathbf{e}_1) (\in T^y(\mathbf{e}_1))$ invariance of $\mathbf{R}^{l\lambda}$, we see that only $\mathbf{R}^{00}, \mathbf{R}^{13}, \mathbf{R}^{21}$ and \mathbf{R}^{32} are non-zero. From $\mathbf{D}_{2h}, C_{4z}^+u_{2a} (\in \mathbf{D}_{4h}(u_{2a}, E))$ and $M(\mathbf{e}_3)$ invariance of $\mathbf{R}^{l\lambda}$ we see that only $\mathbf{R}^{00}, \mathbf{R}^{21}$ and \mathbf{R}^{32} are non-zero and have following forms,

$$\mathbf{R}^{00} = \begin{pmatrix} a & 0 & 0 \\ 0 & a & 0 \\ 0 & 0 & b \end{pmatrix}, \quad \mathbf{R}^{21} = \begin{pmatrix} c & 0 & 0 \\ 0 & d & 0 \\ 0 & 0 & f \end{pmatrix}, \quad \mathbf{R}^{32} = \begin{pmatrix} d & 0 & 0 \\ 0 & c & 0 \\ 0 & 0 & f \end{pmatrix}, \quad (6-17)$$

where a, b, c, d and f are real numbers. From (3-26) we obtain

$$\begin{aligned} \mathbf{D}^{\uparrow\uparrow}(\mathbf{m}) &= \mathbf{D}^{\downarrow\downarrow}(\mathbf{m}) = \mathbf{R}^{00}, \\ \mathbf{D}^{\uparrow\downarrow}(\mathbf{m}) &= e^{-i\mathbf{Q}_2 \cdot \mathbf{m}} \mathbf{R}^{21} - ie^{-i\mathbf{Q}_3 \cdot \mathbf{m}} \mathbf{R}^{32}, \\ \mathbf{D}^{\downarrow\uparrow}(\mathbf{m}) &= e^{-i\mathbf{Q}_2 \cdot \mathbf{m}} \mathbf{R}^{21} + ie^{-i\mathbf{Q}_3 \cdot \mathbf{m}} \mathbf{R}^{32}. \end{aligned} \quad (6-18)$$

Then from (3-29) we obtain, for \mathbf{m} such that $T(\mathbf{m}) \in \mathbf{L}_3$,

$$\begin{aligned} \mathcal{D}(\mathbf{m}) &= \begin{pmatrix} a & 0 & 0 & c-id & 0 & 0 \\ 0 & a & 0 & 0 & d-ic & 0 \\ 0 & 0 & b & 0 & 0 & f-if \\ c+id & 0 & 0 & a & 0 & 0 \\ 0 & d+ic & 0 & 0 & a & 0 \\ 0 & 0 & f+if & 0 & 0 & b \end{pmatrix}, \\ \mathcal{D}(\mathbf{m} + \mathbf{e}_1) &= \begin{pmatrix} a & 0 & 0 & -(c+id) & 0 & 0 \\ 0 & a & 0 & 0 & -(d+ic) & 0 \\ 0 & 0 & b & 0 & 0 & -(f+if) \\ -(c-id) & 0 & 0 & a & 0 & 0 \\ 0 & -(d-ic) & 0 & 0 & a & 0 \\ 0 & 0 & -(f-if) & 0 & 0 & b \end{pmatrix}, \\ \mathcal{D}(\mathbf{m} + \mathbf{e}_2) &= \begin{pmatrix} a & 0 & 0 & c+id & 0 & 0 \\ 0 & a & 0 & 0 & d+ic & 0 \\ 0 & 0 & b & 0 & 0 & f+if \\ c-id & 0 & 0 & a & 0 & 0 \\ 0 & d-ic & 0 & 0 & a & 0 \\ 0 & 0 & f-if & 0 & 0 & b \end{pmatrix}, \end{aligned}$$

Table XIV. Occupied general spin orbitals and their occupation numbers for $G(XA_g, 1, 1)_3$ state

site	general spin orbital	occupation number
m	$\psi_1 = \frac{\phi_1}{\sqrt{2}}(\uparrow\rangle + e^{i\gamma} \downarrow\rangle)$	λ_1
m	$\psi_2 = \frac{\phi_2}{\sqrt{2}}(\uparrow\rangle + e^{i(\frac{\pi}{2}-\gamma)} \downarrow\rangle)$	λ_1
m	$\psi_3 = \frac{\phi_1}{\sqrt{2}}(\uparrow\rangle + e^{i(\pi+\gamma)} \downarrow\rangle)$	λ_2
m	$\psi_4 = \frac{\phi_2}{\sqrt{2}}(\uparrow\rangle + e^{i(\frac{3\pi}{2}-\gamma)} \downarrow\rangle)$	λ_2
m	$\psi_5 = \frac{\phi_3}{\sqrt{2}}(\uparrow\rangle + e^{i\frac{\pi}{4}} \downarrow\rangle)$	λ_3
m	$\psi_6 = \frac{\phi_3}{\sqrt{2}}(\uparrow\rangle + e^{i(\pi+\frac{\pi}{4})} \downarrow\rangle)$	λ_4
$m + e_1$	$\psi_1 = \frac{\phi_1}{\sqrt{2}}(\uparrow\rangle + e^{i(\pi-\gamma)} \downarrow\rangle)$	λ_1
$m + e_1$	$\psi_2 = \frac{\phi_2}{\sqrt{2}}(\uparrow\rangle + e^{i(\frac{\pi}{2}+\gamma)} \downarrow\rangle)$	λ_1
$m + e_1$	$\psi_3 = \frac{\phi_1}{\sqrt{2}}(\uparrow\rangle + e^{-i\gamma} \downarrow\rangle)$	λ_2
$m + e_1$	$\psi_4 = \frac{\phi_2}{\sqrt{2}}(\uparrow\rangle + e^{i(-\frac{\pi}{2}+\gamma)} \downarrow\rangle)$	λ_2
$m + e_1$	$\psi_5 = \frac{\phi_3}{\sqrt{2}}(\uparrow\rangle + e^{i(\pi-\frac{\pi}{4})} \downarrow\rangle)$	λ_3
$m + e_1$	$\psi_6 = \frac{\phi_3}{\sqrt{2}}(\uparrow\rangle + e^{i(-\frac{\pi}{4})} \downarrow\rangle)$	λ_4
$m + e_2$	$\psi_1 = \frac{\phi_1}{\sqrt{2}}(\uparrow\rangle + e^{i(-\gamma)} \downarrow\rangle)$	λ_1
$m + e_2$	$\psi_2 = \frac{\phi_2}{\sqrt{2}}(\uparrow\rangle + e^{i(-\frac{\pi}{2}+\gamma)} \downarrow\rangle)$	λ_1
$m + e_2$	$\psi_3 = \frac{\phi_1}{\sqrt{2}}(\uparrow\rangle + e^{i(\pi-\gamma)} \downarrow\rangle)$	λ_2
$m + e_2$	$\psi_4 = \frac{\phi_2}{\sqrt{2}}(\uparrow\rangle + e^{i(\frac{\pi}{2}+\gamma)} \downarrow\rangle)$	λ_2
$m + e_2$	$\psi_5 = \frac{\phi_3}{\sqrt{2}}(\uparrow\rangle + e^{i(-\frac{\pi}{4})} \downarrow\rangle)$	λ_3
$m + e_2$	$\psi_6 = \frac{\phi_3}{\sqrt{2}}(\uparrow\rangle + e^{i(\pi-\frac{\pi}{4})} \downarrow\rangle)$	λ_4
$m + e_1 + e_2$	$\psi_1 = \frac{\phi_1}{\sqrt{2}}(\uparrow\rangle + e^{i(\pi+\gamma)} \downarrow\rangle)$	λ_1
$m + e_1 + e_2$	$\psi_2 = \frac{\phi_2}{\sqrt{2}}(\uparrow\rangle + e^{i(-\frac{\pi}{2}-\gamma)} \downarrow\rangle)$	λ_1
$m + e_1 + e_2$	$\psi_3 = \frac{\phi_1}{\sqrt{2}}(\uparrow\rangle + e^{i\gamma} \downarrow\rangle)$	λ_2
$m + e_1 + e_2$	$\psi_4 = \frac{\phi_2}{\sqrt{2}}(\uparrow\rangle + e^{i(\frac{\pi}{2}-\gamma)} \downarrow\rangle)$	λ_2
$m + e_1 + e_2$	$\psi_5 = \frac{\phi_3}{\sqrt{2}}(\uparrow\rangle + e^{i(\pi+\frac{\pi}{4})} \downarrow\rangle)$	λ_3
$m + e_1 + e_2$	$\psi_6 = \frac{\phi_3}{\sqrt{2}}(\uparrow\rangle + e^{i(\frac{\pi}{4})} \downarrow\rangle)$	λ_4

$T(\mathbf{m}) \in L_3$, $\lambda_1 = a + \sqrt{c^2 + d^2}$, $\lambda_2 = a - \sqrt{c^2 + d^2}$, $\lambda_3 = b + \sqrt{2}f$, $\lambda_4 = b - \sqrt{2}f$
 $e^{i\gamma} = \frac{c + id}{\sqrt{c^2 + d^2}}$, $a = R_{11}^{00} = R_{22}^{00}$, $b = R_{33}^{00}$, $c = R_{11}^{21} = R_{22}^{32}$, $d = R_{11}^{32} = R_{22}^{21}$, $f = R_{33}^{21} = R_{33}^{32}$

$$\mathcal{D}(\mathbf{m} + \mathbf{e}_1 + \mathbf{e}_2) = \begin{pmatrix} a & 0 & 0 & -(c-id) & 0 & 0 \\ 0 & a & 0 & 0 & -(d-ic) & 0 \\ 0 & 0 & b & 0 & 0 & -(f-if) \\ -(c+id) & 0 & 0 & a & 0 & 0 \\ 0 & -(d+ic) & 0 & 0 & a & 0 \\ 0 & 0 & -(f+if) & 0 & 0 & b \end{pmatrix}. \quad (6-19)$$

Diagonalizing \mathcal{D} , we obtain occupied general spin orbitals and their occupation numbers as in Table XIV.

In Fig.3 we show the spin density pattern of $\mathbf{s}(\mathbf{m}) = (s^1(\mathbf{m}), s^2(\mathbf{m}))$ for four sites in the unit cell. Note that this spin density pattern has $G(XA_g, 1, 1)_3$ symmetry.

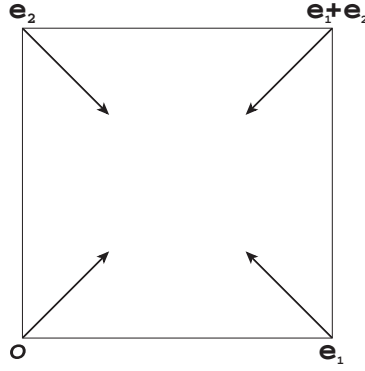


Fig. 3. Spin density $\mathbf{s}(\mathbf{m}) = (s^1(\mathbf{m}), s^2(\mathbf{m}))$ of the $G(XA_g, 1, 1)_3$ state. $|\mathbf{s}(\mathbf{m})| = c + d + f$.

Example 6.5. $G(XB_{3g}, 1, 1)_3$ state.

The isotropy subgroup of the $G(XB_{3g}, 1, 1)_3$ state is

$$G(XB_{3g}, 1, 1)_3 = M(\mathbf{e}_3)T_x(\mathbf{e}_2)T_y(\mathbf{e}_1)\mathbf{D}_{4h}(u_{4z}^+, u_{2x})\mathbf{L}_3. \quad (6-20)$$

From $G(XB_{3g}, 1, 1)_3$ invariance, we obtain non-zero \mathbf{R}^{00} , \mathbf{R}^{13} , \mathbf{R}^{21} and \mathbf{R}^{32} as follows

$$\mathbf{R}^{00} = \begin{pmatrix} a & 0 & 0 \\ 0 & a & 0 \\ 0 & 0 & b \end{pmatrix}, \quad \mathbf{R}^{13} = \begin{pmatrix} 0 & ic & 0 \\ -ic & 0 & 0 \\ 0 & 0 & 0 \end{pmatrix}, \quad (6-21)$$

$$\mathbf{R}^{21} = \begin{pmatrix} 0 & 0 & 0 \\ 0 & 0 & d \\ 0 & d & 0 \end{pmatrix}, \quad \mathbf{R}^{32} = \begin{pmatrix} 0 & 0 & -d \\ 0 & 0 & 0 \\ -d & 0 & 0 \end{pmatrix}, \quad (6-22)$$

where a , b , c and d are real numbers, and i is imaginary unit. From (3-26) and (3-29)

we obtain, for \mathbf{m} such that $T(\mathbf{m}) \in \mathbf{L}_3$,

$$\begin{aligned}
\mathcal{D}(\mathbf{m}) &= \begin{pmatrix} a & ic & 0 & 0 & 0 & id \\ -ic & a & 0 & 0 & 0 & d \\ 0 & 0 & b & id & d & 0 \\ 0 & 0 & -id & a & -ic & 0 \\ 0 & 0 & d & ic & a & 0 \\ -id & d & 0 & 0 & 0 & b \end{pmatrix}, \\
\mathcal{D}(\mathbf{m} + \mathbf{e}_1) &= \begin{pmatrix} a & -ic & 0 & 0 & 0 & id \\ ic & a & 0 & 0 & 0 & -d \\ 0 & 0 & b & id & -d & 0 \\ 0 & 0 & -id & a & ic & 0 \\ 0 & 0 & -d & -ic & a & 0 \\ -id & -d & 0 & 0 & 0 & b \end{pmatrix}, \\
\mathcal{D}(\mathbf{m} + \mathbf{e}_2) &= \begin{pmatrix} a & -ic & 0 & 0 & 0 & -id \\ ic & a & 0 & 0 & 0 & d \\ 0 & 0 & b & -id & d & 0 \\ 0 & 0 & id & a & ic & 0 \\ 0 & 0 & d & -ic & a & 0 \\ id & d & 0 & 0 & 0 & b \end{pmatrix}, \\
\mathcal{D}(\mathbf{m} + \mathbf{e}_1 + \mathbf{e}_2) &= \begin{pmatrix} a & ic & 0 & 0 & 0 & -id \\ -ic & a & 0 & 0 & 0 & -d \\ 0 & 0 & b & -id & -d & 0 \\ 0 & 0 & id & a & -ic & 0 \\ 0 & 0 & -d & ic & a & 0 \\ id & -d & 0 & 0 & 0 & b \end{pmatrix}. \tag{6-23}
\end{aligned}$$

Diagonalizing \mathcal{D} , we obtain the occupied general spin orbital and their occupation numbers as shown in Table XV. From (3-43) we see that this state has spin orbital angular momenta $l_z^3(\mathbf{m})$ and spin quadrupole momenta $Q_{23}^1(\mathbf{m}), Q_{31}^2(\mathbf{m})$ as follows:

$$\begin{aligned}
Q_{23}^1(\mathbf{m}) &= 2I_2d, & Q_{31}^2(\mathbf{m}) &= -2I_2d, \\
Q_{23}^1(\mathbf{m} + \mathbf{e}_1) &= -2I_2d, & Q_{31}^2(\mathbf{m} + \mathbf{e}_1) &= -2I_2d, \\
Q_{23}^1(\mathbf{m} + \mathbf{e}_2) &= 2I_2d, & Q_{31}^2(\mathbf{m} + \mathbf{e}_2) &= -2I_2d, \\
Q_{23}^1(\mathbf{m} + \mathbf{e}_1 + \mathbf{e}_2) &= -2I_2d, & Q_{31}^2(\mathbf{m} + \mathbf{e}_1 + \mathbf{e}_2) &= 2I_2d, \\
l_3^3(\mathbf{m}) &= l_3^3(\mathbf{m} + \mathbf{e}_1 + \mathbf{e}_2) = 2c, \\
l_3^3(\mathbf{m} + \mathbf{e}_1) &= l_3^3(\mathbf{m} + \mathbf{e}_2) = -2c, \tag{6-24}
\end{aligned}$$

for \mathbf{m} such that $T(\mathbf{m}) \in \mathbf{L}_3$. Here we note that the secondary LOP: l_3^3 is induced by the appearance of the primary LOP: $\{Q_{23}^1, Q_{31}^2\}$. From (3-43) we can see that for all site \mathbf{m}

$$s^1(\mathbf{m}) = s^2(\mathbf{m}) = s^3(\mathbf{m}) = 0,$$

Symmetry Classes of Spin and Orbital Ordered States in a t_{2g} Hubbard Model 39

Table XV. Occupied general spin orbitals and their occupation numbers for $G(XB_{3g}, 1, 1)_3$ state

site	general spin orbital	occupation number
m	$\psi_1 = i \frac{\text{sgn}(d)}{\sqrt{2}} u(\phi_1 - i\phi_2) \uparrow\rangle + w\phi_3 \downarrow\rangle$	λ_1
m	$\psi_2 = -i \frac{\text{sgn}(d)}{\sqrt{2}} u(\phi_1 + i\phi_2) \downarrow\rangle + w\phi_3 \uparrow\rangle$	λ_1
m	$\psi_3 = -i \frac{\text{sgn}(d)}{\sqrt{2}} w(\phi_1 - i\phi_2) \uparrow\rangle + u\phi_3 \downarrow\rangle$	λ_2
m	$\psi_4 = i \frac{\text{sgn}(d)}{\sqrt{2}} w(\phi_1 + i\phi_2) \downarrow\rangle + u\phi_3 \uparrow\rangle$	λ_2
m	$\psi_5 = \frac{1}{\sqrt{2}}(\phi_1 + i\phi_2) \uparrow\rangle$	λ_3
m	$\psi_6 = \frac{1}{\sqrt{2}}(\phi_1 - i\phi_2) \downarrow\rangle$	λ_3
<hr/>		
$m + e_1$	$\psi_1 = i \frac{\text{sgn}(d)}{\sqrt{2}} u(\phi_1 + i\phi_2) \uparrow\rangle + w\phi_3 \downarrow\rangle$	λ_1
$m + e_1$	$\psi_2 = -i \frac{\text{sgn}(d)}{\sqrt{2}} u(\phi_1 - i\phi_2) \downarrow\rangle + w\phi_3 \uparrow\rangle$	λ_1
$m + e_1$	$\psi_3 = -i \frac{\text{sgn}(d)}{\sqrt{2}} w(\phi_1 + i\phi_2) \uparrow\rangle + u\phi_3 \downarrow\rangle$	λ_2
$m + e_1$	$\psi_4 = i \frac{\text{sgn}(d)}{\sqrt{2}} w(\phi_1 - i\phi_2) \downarrow\rangle + u\phi_3 \uparrow\rangle$	λ_2
$m + e_1$	$\psi_5 = \frac{1}{\sqrt{2}}(\phi_1 - i\phi_2) \uparrow\rangle$	λ_3
$m + e_1$	$\psi_6 = \frac{1}{\sqrt{2}}(\phi_1 + i\phi_2) \downarrow\rangle$	λ_3
<hr/>		
$m + e_2$	$\psi_1 = -i \frac{\text{sgn}(d)}{\sqrt{2}} u(\phi_1 + i\phi_2) \uparrow\rangle + w\phi_3 \downarrow\rangle$	λ_1
$m + e_2$	$\psi_2 = i \frac{\text{sgn}(d)}{\sqrt{2}} u(\phi_1 - i\phi_2) \downarrow\rangle + w\phi_3 \uparrow\rangle$	λ_1
$m + e_2$	$\psi_3 = i \frac{\text{sgn}(d)}{\sqrt{2}} w(\phi_1 + i\phi_2) \uparrow\rangle + u\phi_3 \downarrow\rangle$	λ_2
$m + e_2$	$\psi_4 = -i \frac{\text{sgn}(d)}{\sqrt{2}} w(\phi_1 - i\phi_2) \downarrow\rangle + u\phi_3 \uparrow\rangle$	λ_2
$m + e_2$	$\psi_5 = \frac{1}{\sqrt{2}}(\phi_1 - i\phi_2) \uparrow\rangle$	λ_3
$m + e_2$	$\psi_6 = \frac{1}{\sqrt{2}}(\phi_1 + i\phi_2) \downarrow\rangle$	λ_3
<hr/>		
$m + e_1 + e_2$	$\psi_1 = -i \frac{\text{sgn}(d)}{\sqrt{2}} u(\phi_1 - i\phi_2) \uparrow\rangle + w\phi_3 \downarrow\rangle$	λ_1
$m + e_1 + e_2$	$\psi_2 = i \frac{\text{sgn}(d)}{\sqrt{2}} u(\phi_1 + i\phi_2) \downarrow\rangle + w\phi_3 \uparrow\rangle$	λ_1
$m + e_1 + e_2$	$\psi_3 = i \frac{\text{sgn}(d)}{\sqrt{2}} w(\phi_1 - i\phi_2) \uparrow\rangle + u\phi_3 \downarrow\rangle$	λ_2
$m + e_1 + e_2$	$\psi_4 = -i \frac{\text{sgn}(d)}{\sqrt{2}} w(\phi_1 + i\phi_2) \downarrow\rangle + u\phi_3 \uparrow\rangle$	λ_2
$m + e_1 + e_2$	$\psi_5 = \frac{1}{\sqrt{2}}(\phi_1 + i\phi_2) \uparrow\rangle$	λ_3
$m + e_1 + e_2$	$\psi_6 = \frac{1}{\sqrt{2}}(\phi_1 - i\phi_2) \downarrow\rangle$	λ_3
<hr/>		
$m : T(m) \in L_3$		
$a = R_{11}^{00} = R_{22}^{00}, b = R_{33}^{00}, ic = R_{12}^{13} = -R_{21}^{13}, d = R_{23}^{21} = R_{32}^{21} = -R_{13}^{32} = -R_{31}^{32}$		
$\lambda_1 = \frac{a+b+c+\sqrt{(a-b+c)^2+8d^2}}{2}, \lambda_2 = \frac{a+b+c-\sqrt{(a-b+c)^2+8d^2}}{2}, \lambda_3 = a - c$		
$u = \frac{1}{\sqrt{2}}(1 + \frac{a-b+c}{\sqrt{(a-b+c)^2+8d^2}})^{\frac{1}{2}}, w = \frac{1}{\sqrt{2}}(1 - \frac{a-b+c}{\sqrt{(a-b+c)^2+8d^2}})^{\frac{1}{2}}$		

$$\begin{aligned} l_3(\mathbf{m}) &= 0, \\ Q_{23}(\mathbf{m}) &= Q_{31}(\mathbf{m}) = 0. \end{aligned} \quad (6\cdot25)$$

Thus the $G(XB_{3g}, 1, 1)_3$ state is not a coexistent state of spin density and quadrupole moment.

Finally we note that many states in Table IX and X have spin orbital angular momentum and/or spin quadrupole moment, however they are not coexistent states of {spin density}, and {orbital angular momentum or quadrupole moment} except $G(XA_g, 1, 1)_1$ state.

§7. Some numerical results

In this section we present some calculated results of HF equations for the states listed in Table V, Table VI, Table IX and Table X. We solve the Hartree-Fock equation of a state (characterized by an isotropy subgroup G_j) self-consistently by starting initial values of $\mathbf{R}^{l\lambda}$ with G_j symmetry. From the SCF condition (3·8) we obtain the initial values of $\mathbf{x}^{l\lambda}$. After diagonalizing H_m of (3·10) with these $\mathbf{x}^{l\lambda}$, we obtain new $\mathbf{R}^{l\lambda}$. The obtained $\mathbf{R}^{l\lambda}$ are substituted into (3·8) to compute new $\mathbf{x}^{l\lambda}$. We use them as inputs to repeat the above process until the relative errors in $\mathbf{R}^{l\lambda}$ between successive iterations are less than the desired accuracy. After obtaining converged $\mathbf{R}^{l\lambda}$, we obtain the HF energy E_{HF} from (3·12).

We consider the cases of parameter sets listed in Table XVI. Since it is known that $\text{Ca}_{2-x}\text{Sr}_x\text{RuO}_4$ has four 4d electrons in the t_{2g} orbitals,^{4),5)} we use number of electrons per site $n_e^0 = 4.0$ for all parameter sets. The eighth column denotes the most stable state among all states listed in Table V, Table VI, Table IX and Table X.

Table XVI. Parameter sets for model calculations

N.O	δ	t_1	t_2	t_3	U	$J = J'$	most stable state
(1)	0.0	1.0	0.0	1.0	9.0	2.25	$G(\Gamma A_{1g}, 1, 1)$
(2)	0.4	1.0	0.0	1.0	9.0	0.4	$G(MB_{1g}, 1, 1)$
(3)	0.0	1.0	0.0	1.0	9.0	0.7	$G(ME_g, 1, 1)_3, G(XB_{3g}, 1, 1)_3$
(4)	-0.14	1.0	0.8	0.8	8.0	1.0	$G(XA_g, 1, 1)_3$

number of electrons per site = $n_e^0 = 4.0$, $U' = U - 2J$

7.1. Parameter set (1)

In the parameter set (1), where J has rather large values, the $G(\Gamma A_{1g}, 1, 1)$ state is most stable. The calculated values of a, b, c and d in (6·3) are

$$a = 0.6679, \quad b = 0.6643, \quad c = 0.3321, \quad d = 0.3357. \quad (7\cdot1)$$

Thus we obtain $a + c \approx 1.0$, $a - c \approx \frac{1}{3}$, $b + d \approx 1.0$ and $b - d \approx \frac{1}{3}$. Then from Table XI, the occupation numbers for $\phi_i |\uparrow\rangle$ and $\phi_i |\downarrow\rangle$ are

$$n(\phi_1 |\uparrow\rangle) = n(\phi_2 |\uparrow\rangle) = n(\phi_3 |\uparrow\rangle) = 1,$$

$$n(\phi_1 \downarrow) = n(\phi_2 \downarrow) = n(\phi_3 \downarrow) \approx \frac{1}{3}. \quad (7.2)$$

7.2. Parameter set (2)

In the parameter set (2), the $G(MB_{1g}, 1, 1)$ state is most stable. The calculated values of a, b and c are

$$a = 0.5, \quad b = 1, \quad c = -0.473. \quad (7.3)$$

Thus we have

$$a + c = 0.027 \approx 0.0, \quad a - c = 0.974 \approx 1.0, \quad b = 1.0. \quad (7.4)$$

From Table XII, we obtain a qualitative pattern of the electron occupations as shown in Fig.4.

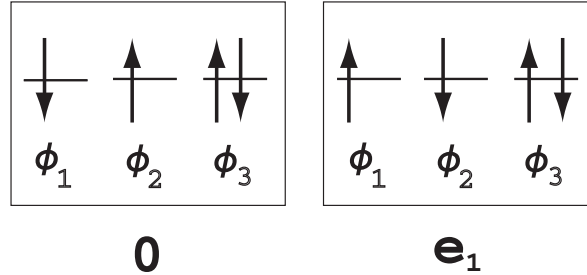


Fig. 4. Schematic pattern of the electron occupation in $G(MB_{1g}, 1, 1)$ state. \uparrow (\downarrow) indicates one electron with up(down) spin.

7.3. Parameter set (3)

In the parameter set (3), the $G(ME_g, 1, 1)_3$ and the $G(XB_{3g}, 1, 1)_3$ states have the same energy and are most stable. The calculated values of a, b, c and d in (6.12) and (6.22) are

$$a = 0.7113, \quad b = 0.5775, \quad c = -0.2775, \quad d = 0.3240. \quad (7.5)$$

Then the occupation numbers for general spin orbitals ψ_j ($j = 1, \dots, 6$) in Table XIII and XV are

$$\begin{aligned} n(\psi_1) = n(\psi_2) = \lambda_1 &= \frac{a + b + c + \sqrt{(a - b + c)^2 + 8d^2}}{2} \approx 1.0, \\ n(\psi_3) = n(\psi_4) = \lambda_2 &= \frac{a + b + c - \sqrt{(a - b + c)^2 + 8d^2}}{2} \approx 0.0, \\ n(\psi_5) = n(\psi_6) = \lambda_3 &= a - c \approx 1.0. \end{aligned} \quad (7.6)$$

7.4. Parameter set (4)

In the parameter set (4), the $G(XA_g, 1, 1)_3$ state is most stable. The calculated values of a, b, c, d and f in (6.17) are

$$a = 0.75, \quad b = 0.5, \quad c = -0.1802, \quad d = -0.1408, \quad f = 0.3416. \quad (7.7)$$

Then the occupation numbers for general spin orbitals ψ_j ($j = 1, \dots, 6$) in Table XIV are

$$\begin{aligned} n(\psi_1) &= n(\psi_2) = \lambda_1 = a + \sqrt{c^2 + d^2} = 0.9786 \approx 1.0, \\ n(\psi_3) &= n(\psi_4) = \lambda_2 = a - \sqrt{c^2 + d^2} = 0.521 \approx 0.5, \\ n(\psi_5) &= \lambda_3 = b + \sqrt{2}f = 0.017 \approx 0.0, \\ n(\psi_6) &= \lambda_4 = b - \sqrt{2}f = 0.983 \approx 1.0. \end{aligned} \quad (7-8)$$

The magnitude of spin density $|\mathbf{s}(\mathbf{m})|$ is $c + d + f = -0.1802 - 0.1408 + 0.3416 = 0.0206$.

§8. Summary and discussion

We applied the group theoretical bifurcation theory of the HF equation to the t_{2g} -Hubbard model on a two-dimensional square lattice. By enumerating the axial isotropy subgroups of the R-reps of the group G_0 in the HF Hamiltonian space W_{HF} in the cases of ordering vectors $\mathbf{Q}_i, i = 0, 1, 2, 3$, we have obtained many types of broken symmetry states which bifurcate from the normal state through one step transition.

It is shown that these states have various types of local order parameters (LOP): spin density $\mathbf{s} = (s^1, s^2, s^3)$, quadrupole moment $\mathbf{Q} = (Q_2^2, Q_{12}, Q_{23}, Q_{31})$, orbital angular momentum $\mathbf{l} = (l_1, l_2, l_3)$, spin quadrupole moment $\mathbf{Q}^\lambda = (Q_2^{\lambda}, Q_{12}^\lambda, Q_{23}^\lambda, Q_{31}^\lambda)$ and spin orbital angular momentum $\mathbf{l}^\lambda = (l_1^\lambda, l_2^\lambda, l_3^\lambda)$, where $\lambda = 1, 2, 3$. We have illustrated how the isotropy subgroup of a state can determine the canonical form of the HF Hamiltonian, the standard forms of the occupied spin orbitals and their occupation number, and types of LOP.

We performed numerical calculations for all states discussed in §5 and §6 with some parameter sets. We found that various types of broken symmetric solutions can be the most stable state depending on parameter sets. Through these calculations we found that non-collinear magnetic states: $G(ME_g, 1, 1)_3, G(XB_{3g}, 1, 1)_3$ and $G(XA_g, 1, 1)_3$ can be the ground state for some parameter sets.

In §5 and §6 we considered broken symmetry states bifurcating through a single phase transition from the normal state. However as shown in §7 of I, there are many other states derived through two step transitions from the normal state. Here we consider two states bifurcating from the $G(MB_{2g}, 0, 0)$ treated in the Example 5.2. The isotropy subgroup of the $G(MB_{2g}, 0, 0)$ is

$$G(MB_{2g}, 0, 0) = (E + T(\mathbf{e}_1)C_{2x})\mathbf{D}_{2a}\mathbf{L}_1\mathbf{SR} \quad (8-1)$$

By a similar method to that in §7 of the previous paper, we obtain the following two types of isotropic subgroups

$$\begin{aligned} G(MB_{2g}, 0, 0)_a &= (E + tu_{2y})(E + T(\mathbf{e}_1)C_{2x})\mathbf{D}_{2ah}\mathbf{L}_1\mathbf{A}(\mathbf{e}_3), \\ G(MB_{2g}, 0, 0)_b &= (E + tu_{2y})(E + T(\mathbf{e}_1)C_{2x}u_{2x})\mathbf{D}_{2ah}\mathbf{L}_1\mathbf{A}(\mathbf{e}_3). \end{aligned} \quad (8-2)$$

We consider these states separately.

(a) $G(MB_{2g}, 0, 0)_a$ state.

This state has following non zero $\mathbf{R}^{l\nu}$

$$\begin{aligned} \mathbf{R}^{00} &= \begin{pmatrix} a & 0 & 0 \\ 0 & a & 0 \\ 0 & 0 & b \end{pmatrix}, & \mathbf{R}^{10} &= \begin{pmatrix} 0 & c & 0 \\ c & 0 & 0 \\ 0 & 0 & 0 \end{pmatrix}, \\ \mathbf{R}^{03} &= \begin{pmatrix} d & 0 & 0 \\ 0 & d & 0 \\ 0 & 0 & f \end{pmatrix}, & \mathbf{R}^{13} &= \begin{pmatrix} 0 & e & 0 \\ e & 0 & 0 \\ 0 & 0 & 0 \end{pmatrix}. \end{aligned} \quad (8-3)$$

Thus from (3-43) we obtain for \mathbf{m} such that $T(\mathbf{m}) \in \mathbf{L}_1$

$$\begin{aligned} Q_{12}(\mathbf{m}) &= 4I_2c, & Q_{12}(\mathbf{m} + \mathbf{e}_j) &= -4I_2c, \\ s^3(\mathbf{m}) &= 2d + f, & s^3(\mathbf{m} + \mathbf{e}_j) &= 2d + f, \\ Q_{12}^3(\mathbf{m}) &= 2I_2e, & Q_{12}^3(\mathbf{m} + \mathbf{e}_j) &= -2I_2e, \end{aligned} \quad (8-4)$$

where $j = 1, 2$. Thus we see that through the ferromagnetic transition of the $G(MB_{2g}, 0, 0)$ state which has the anti-ferro quadrupole moment Q_{12} , there appears anti-ferro spin quadrupole moment Q_{12}^3 as well as ferro spin density s^3 .

(b) $G(MB_{2g}, 0, 0)_b$ state.

This state has following non zero $\mathbf{R}^{l\nu}$

$$\begin{aligned} \mathbf{R}^{00} &= \begin{pmatrix} a & 0 & 0 \\ 0 & a & 0 \\ 0 & 0 & b \end{pmatrix} & \mathbf{R}^{10} &= \begin{pmatrix} 0 & c & 0 \\ c & 0 & 0 \\ 0 & 0 & 0 \end{pmatrix} \\ \mathbf{R}^{03} &= \begin{pmatrix} 0 & e & 0 \\ e & 0 & 0 \\ 0 & 0 & f \end{pmatrix} & \mathbf{R}^{13} &= \begin{pmatrix} d & 0 & 0 \\ 0 & d & 0 \\ 0 & 0 & f \end{pmatrix} \end{aligned} \quad (8-5)$$

Thus we obtain, for \mathbf{m} such that $T(\mathbf{m}) \in \mathbf{L}_1$ and $j = 1, 2$,

$$\begin{aligned} Q_{12}(\mathbf{m}) &= 4I_2c, & Q_{12}(\mathbf{m} + \mathbf{e}_j) &= -4I_2c, \\ s^3(\mathbf{m}) &= 2d + f, & s^3(\mathbf{m} + \mathbf{e}_j) &= -(2d + f), \\ Q_{12}^3(\mathbf{m}) &= 2I_2e, & Q_{12}^3(\mathbf{m} + \mathbf{e}_j) &= 2I_2e. \end{aligned} \quad (8-6)$$

Thus we see that through the anti-ferromagnetic transition of the $G(MB_{2g}, 0, 0)$ state, there appears ferro spin quadrupole moment Q_{12}^3 as well as anti-ferro spin density s^3 .

By similar manner to that of above cases, we can see that states, which are derived through two step transition from the normal state, are coexisting states of {spin sensity , quadrupole moment and spin quadrupole moment }, or {spin sensity, orbital angular momentum and spin orbital angular momentum}.

Acknowledgements

The authors would like to thank Professor M. Aihara and A. Takahashi for valuable discussions and comments.

Appendix A

— Derivation of quadrupole moment —

Here we derive (3.36) for the quadrupole moment at the site \mathbf{m} . The quadrupole moment operator $\hat{Q}_{ij}(\mathbf{m})$ at a site \mathbf{m} is defined by²²⁾

$$\begin{aligned}\hat{Q}_{ij}(\mathbf{m}) &= \sum_{p,q=1}^3 \sum_{s,s'=1}^2 \langle \phi_{\mathbf{m}ps} | (3x_i x_j - \delta_{ij} r^2) | \phi_{\mathbf{m}qs'} \rangle a_{\mathbf{m}ps}^\dagger a_{\mathbf{m}qs'} \\ &= \sum_{s=1}^2 \sum_{p,q=1}^3 (\mathcal{Q}_{ij})_{pq} a_{\mathbf{m}ps}^\dagger a_{\mathbf{m}qs},\end{aligned}\quad (\text{A}\cdot 1)$$

where $\phi_{\mathbf{m}ps} = \phi_p(\mathbf{r} - \mathbf{m})\chi_s$, χ_s are the spin function: $\chi_1 = |\uparrow\rangle$, $\chi_2 = |\downarrow\rangle$, and \mathcal{Q}_{ij} is a 3×3 symmetric matrix whose (p, q) component is defined by

$$(\mathcal{Q}_{ij})_{pq} = \int d\mathbf{r} \phi_p(\mathbf{r})(3x_i x_j - r^2 \delta_{ij}) \phi_q(\mathbf{r}). \quad (\text{A}\cdot 2)$$

Thus the expectation value of the quadrupole moment at a site \mathbf{m} given by

$$Q_{ij}(\mathbf{m}) = \sum_{s=1}^2 \sum_{p,q=1}^3 (\mathcal{Q}_{ij})_{pq} \langle a_{\mathbf{m}ps}^\dagger a_{\mathbf{m}qs} \rangle. \quad (\text{A}\cdot 3)$$

The explicit forms of \mathcal{Q}_{ij} are given by

$$\begin{aligned}\mathcal{Q}_{11} &= \begin{pmatrix} 2I_1 & 0 & 0 \\ 0 & -I_1 & 0 \\ 0 & 0 & -I_1 \end{pmatrix}, & \mathcal{Q}_{12} = \mathcal{Q}_{21} &= \begin{pmatrix} 0 & I_2 & 0 \\ I_2 & 0 & 0 \\ 0 & 0 & 0 \end{pmatrix}, \\ \mathcal{Q}_{22} &= \begin{pmatrix} -I_1 & 0 & 0 \\ 0 & 2I_1 & 0 \\ 0 & 0 & -I_1 \end{pmatrix}, & \mathcal{Q}_{23} = \mathcal{Q}_{32} &= \begin{pmatrix} 0 & 0 & 0 \\ 0 & 0 & I_2 \\ 0 & I_2 & 0 \end{pmatrix}, \\ \mathcal{Q}_{33} &= \begin{pmatrix} -I_1 & 0 & 0 \\ 0 & -I_1 & 0 \\ 0 & 0 & 2I_1 \end{pmatrix}, & \mathcal{Q}_{31} = \mathcal{Q}_{31} &= \begin{pmatrix} 0 & 0 & I_2 \\ 0 & 0 & 0 \\ I_2 & 0 & 0 \end{pmatrix},\end{aligned}\quad (\text{A}\cdot 4)$$

where

$$\begin{aligned}I_1 &= \int d\mathbf{r} \phi_1(\mathbf{r})(x^2 - y^2) \phi_1(\mathbf{r}), \\ I_2 &= 3 \int d\mathbf{r} \phi_1(\mathbf{r})xy \phi_2(\mathbf{r}).\end{aligned}\quad (\text{A}\cdot 5)$$

Thus from (A.3) and (A.4) we obtain

$$Q_{11}(\mathbf{m}) = I_1 \sum_{s,s'=1}^2 \left(2 \langle a_{\mathbf{m}1s}^\dagger a_{\mathbf{m}1s'} \rangle - \langle a_{\mathbf{m}2s}^\dagger a_{\mathbf{m}2s'} \rangle - \langle a_{\mathbf{m}3s}^\dagger a_{\mathbf{m}3s'} \rangle \right) \sigma_{ss'}^0,$$

$$\begin{aligned}
 Q_{22}(\mathbf{m}) &= I_1 \sum_{s,s'=1}^2 \left(-\langle a_{\mathbf{m}1s}^\dagger a_{\mathbf{m}1s'} \rangle + 2\langle a_{\mathbf{m}2s}^\dagger a_{\mathbf{m}2s'} \rangle - \langle a_{\mathbf{m}3s}^\dagger a_{\mathbf{m}3s'} \rangle \right) \sigma_{ss'}^0, \\
 Q_{33}(\mathbf{m}) &= I_1 \sum_{s,s'=1}^2 \left(-\langle a_{\mathbf{m}1s}^\dagger a_{\mathbf{m}1s'} \rangle - \langle a_{\mathbf{m}2s}^\dagger a_{\mathbf{m}2s'} \rangle + 2\langle a_{\mathbf{m}3s}^\dagger a_{\mathbf{m}3s'} \rangle \right) \sigma_{ss'}^0, \\
 Q_{12}(\mathbf{m}) &= Q_{21}(\mathbf{m}) = I_2 \sum_{s,s'=1}^2 \left(\langle a_{\mathbf{m}1s}^\dagger a_{\mathbf{m}2s'} \rangle + \langle a_{\mathbf{m}2s}^\dagger a_{\mathbf{m}1s'} \rangle \right) \sigma_{ss'}^0, \\
 Q_{23}(\mathbf{m}) &= Q_{32}(\mathbf{m}) = I_2 \sum_{s,s'=1}^2 \left(\langle a_{\mathbf{m}2s}^\dagger a_{\mathbf{m}3s'} \rangle + \langle a_{\mathbf{m}3s}^\dagger a_{\mathbf{m}2s'} \rangle \right) \sigma_{ss'}^0, \\
 Q_{31}(\mathbf{m}) &= Q_{13}(\mathbf{m}) = I_2 \sum_{s,s'=1}^2 \left(\langle a_{\mathbf{m}3s}^\dagger a_{\mathbf{m}1s'} \rangle + \langle a_{\mathbf{m}1s}^\dagger a_{\mathbf{m}3s'} \rangle \right) \sigma_{ss'}^0. \tag{A.6}
 \end{aligned}$$

The spin quadrupole moment is defined by

$$\hat{Q}_{ij}^\lambda(\mathbf{m}) = \frac{1}{2} \sum_{p,q=1}^3 \sum_{s,s'=1}^2 \langle \phi_{\mathbf{m}ps} | (3x_i x_j - \delta_{ij} r^2) \sigma_{ss'}^\lambda | \phi_{\mathbf{m}qs'} \rangle a_{\mathbf{m}ps}^\dagger a_{\mathbf{m}qs'}. \tag{A.7}$$

Then we obtain (3.38) for the expectation values of spin quadrupole moment.

Appendix B

— Derivation of the orbital angular momentum —

Here we derive (3.40) for the orbital angular momentum at the site \mathbf{m} . Let \hat{l}_j ($j = 1, 2, 3$) be the orbital angular momentum. Then operators of the orbital angular momentum at the site \mathbf{m} are expressed by

$$\begin{aligned}
 \hat{l}_i(\mathbf{m}) &= \sum_{p,q=1}^3 \sum_{s,s'=1}^2 \langle \phi_{\mathbf{m}ps} | \hat{l}_i | \phi_{\mathbf{m}qs'} \rangle a_{\mathbf{m}ps}^\dagger a_{\mathbf{m}qs'} \\
 &= \sum_{p,q=1}^3 \sum_{s=1}^2 \langle \phi_{\mathbf{m}ps} | \hat{l}_i | \phi_{\mathbf{m}qs} \rangle a_{\mathbf{m}ps}^\dagger a_{\mathbf{m}qs} \\
 &= \sum_{p,q=1}^3 \sum_{s=1}^2 (L_i)_{pq} a_{\mathbf{m}ps}^\dagger a_{\mathbf{m}qs}. \tag{B.1}
 \end{aligned}$$

where

$$(L_i)_{pq} = \langle \phi_{\mathbf{m}ps} | \hat{l}_i | \phi_{\mathbf{m}qs} \rangle. \tag{B.2}$$

We denote a 3×3 matrix, whose (p, q) component is $(L_i)_{pq}$, by L_i . Within the t_{2g} subspace we have²³⁾

$$L_1 = \begin{pmatrix} 0 & 0 & 0 \\ 0 & 0 & i \\ 0 & -i & 0 \end{pmatrix}, \quad L_2 = \begin{pmatrix} 0 & 0 & -i \\ 0 & 0 & 0 \\ i & 0 & 0 \end{pmatrix}, \quad L_3 = \begin{pmatrix} 0 & i & 0 \\ -i & 0 & 0 \\ 0 & 0 & 0 \end{pmatrix}. \tag{B.3}$$

Thus from (B·1) and (B·3) the expectation values $l_i(\mathbf{m})$ of the orbital angular momentum $\hat{l}_i(\mathbf{m})$ are given by

$$\begin{aligned} l_1(\mathbf{m}) &= \sum_{ss'} (i) (\langle a_{\mathbf{m}2s}^\dagger a_{\mathbf{m}3s'} \rangle - \langle a_{\mathbf{m}3s}^\dagger a_{\mathbf{m}2s'} \rangle) \sigma_{ss'}^0, \\ l_2(\mathbf{m}) &= \sum_{ss'} (i) (\langle a_{\mathbf{m}3s}^\dagger a_{\mathbf{m}1s'} \rangle - \langle a_{\mathbf{m}1s}^\dagger a_{\mathbf{m}3s'} \rangle) \sigma_{ss'}^0, \\ l_3(\mathbf{m}) &= \sum_{ss'} (i) (\langle a_{\mathbf{m}1s}^\dagger a_{\mathbf{m}2s'} \rangle - \langle a_{\mathbf{m}2s}^\dagger a_{\mathbf{m}1s'} \rangle) \sigma_{ss'}^0. \end{aligned} \quad (\text{B}\cdot 4)$$

The spin orbital angular momentum is defined by

$$\hat{l}_i^\lambda(\mathbf{m}) = \frac{1}{2} \sum_{p,q=1}^3 \sum_{s,s'=1}^2 \langle \phi_{\mathbf{m}ps} | \hat{l}_i \sigma_{ss'}^\lambda | \phi_{\mathbf{m}qs'} \rangle a_{\mathbf{m}ps}^\dagger a_{\mathbf{m}qs'}. \quad (\text{B}\cdot 5)$$

Then we obtain (3·41) for the spin orbital angular momenta.

References

- 1) T. Mizokawa and A. Fujimori: Phys. Rev. B **54** (1996), 5368.
- 2) Y. Ren, A. A.Nugroho, A. A. Menovsky, J. Strempher, U. Rutt, F. Iga, T. Takabatake and C. W. Kimball: Phys. Rev. B **67** (2003), 014107.
- 3) M. Mochizuki and M. Imada: J. Phys. Soc. Jpn. **73** (2004), 1833.
- 4) M. Kubota, Y. Murakami, M. Mizumaki, H. Ohsumi, N. Ikeda, S. Nakatsuji, H. Fukazawa and Y. Maeno: Phys. Rev. Lett. **95** (2005), 026401.
- 5) T. Hotta and E. Dagotto: Phys. Rev. Lett. **88** (2002), 017201.
- 6) M. Kurokawa and T. Mizokawa: Phys. Rev. B **66** (2002), 024434.
- 7) V. I. Anisimov, I. A. Nekrasov, D. E. Kondakov, T. M. Rice and M. Sigrist: Eur. Phys. J. **B25**(2002),191.
- 8) Z. Fang, N. Nagaosa, and K. Terakura: Phys. Rev. B **69** (2004), 045116.
- 9) A. Nakanishi, M. Hamada, A. Goto and M. Ozaki: Prog. Theor. Phys. **118** (2007), 413.
- 10) H. Fukutome: Prog. Theor. Phys. **52** (1974), 115; Int. J. Quantum Chem. **20** (1981),955.
- 11) M. Ozaki: J. Math. Phys. **26** (1985), 1514.
- 12) M. Ozaki: Int. J. Quantum Chem. **42** (1992),55.
- 13) M. Ozaki: Prog. Theor. Phys. **67** (1982), 83, 415.
- 14) A. Masago, S. Mori and M. Ozaki: Int. J. Mod. Phys. **B14** (2000), 2241.
- 15) M. Golubitsky and D. G. Schaeffer: *Singularity and Groups in Bifurcation Theory*, Vol. I, Applied Mathematical Sciences 51. (Springer-Verlag, New York, 1985).
- 16) M. Golubitsky, I. Stewart and D. G. Schaeffer: *Singularity and Groups in Bifurcation Theory*, Vol. II, Applied Mathematical Sciences 69. (Springer-Verlag, New York, 1988).
- 17) M. Golubittsky and I. Stewart: *The Symmetry Perspective*, (Birkhäuser, 2002).
- 18) D. H. Sattinger: *Group Theoretic Methods in Bifurcation Theory*, Lecture Notes in Mathematics 762 (Springer-Verlag, Berlin, 1979).
- 19) M. Ozaki: Bussei Kenkyuu **78** (2002) 511; **80** (2003) 205; **82** (2003) 479 [in Japanese].
- 20) J. F. Cornwell: *Group Theory in Physics*, **II** (Academic Press,1984), p.434.
- 21) R. Shiina, T. Nishitani and H. Shiba :J. Phys. Soc. Jpn. **66** (1997), 3159.
- 22) G. Uimin: Phys. Rev. B **55** (1997), 8267.
- 23) K. Kamimura, S. Sugano and Y. Tanabe: *Hai-ishiba Riron to Sono Ouyou*(Ligand Field Theory and Its Applications) (Syokabo, Tokyo, 1969) p.91 [In Japanese].