

An autonomous adaptive scheduling agent for period searching

Eric S. Saunders^{1,2,*}, Tim Naylor¹, and Alasdair Allan¹

¹ School of Physics, University of Exeter, Stocker Road, EX4 4QL

² Las Cumbres Observatory, 6740 Cortona Dr., Suite 102, Santa Barbara, CA 93117

Received; accepted; published online

We describe the design and implementation of an autonomous adaptive software agent that addresses the practical problem of observing undersampled, periodic, time-varying phenomena using a network of HTN-compliant robotic telescopes. The algorithm governing the behaviour of the agent uses an optimal geometric sampling technique to cover the period range of interest, but additionally implements proactive behaviour that maximises the optimality of the dataset in the face of an uncertain and changing operating environment.

© 0000 WILEY-VCH Verlag GmbH & Co. KGaA, Weinheim

1 Introduction

The eSTAR project (Allan et al., 2007, 2004) is an agent-based software system that aims to establish an intelligent robotic telescope network for efficient and automated observing. The system comprises *user agents* that run an observing programme on behalf of an astronomer, and *embedded agents* that provide the interface to observational resources such as telescopes. One role of eSTAR is to provide the software infrastructure for Robonet-1.0 (e.g. Bode et al., 2004; Mottram, 2006), a network of three autonomous 2-m robotic telescopes strategically located across the globe. eSTAR implements the HTN¹ protocol (Allan et al., 2006) using the XML dialect RTML (Hessman, 2006; Pennypacker et al., 2002). The Robonet-1.0 network thus provides a full reference implementation of an HTN-compliant environment.

This paper describes the design and implementation of a user agent that applies adaptive scheduling to optimise an observing run. Adaptive scheduling was described in an earlier paper (Saunders et al., 2006a) as “techniques... to allow an autonomous software entity to calculate an idealised observing strategy, while remaining able to respond flexibly to scheduling constraints outside of its immediate control.” In particular, the adaptive scheduling agent (ASA) implements the optimal geometric sampling strategy for period searching described in Saunders et al. (2006b) to address the practical problem of observing undersampled, periodic, time-varying phenomena.

An example of the type of time-domain astronomy that this agent was designed to perform is the surveying of variability in star-forming regions. Especially in the youngest clusters, a large fraction of the cluster members are T-Tauri stars that can exhibit significant variability due to rotational modulation of features at the stellar surface. However the

range of periods among cluster members is large, ranging from a few hours to many days. Additionally, aliasing, particularly as a consequence of diurnal sampling, is usually a problem for data obtained in the “classical paradigm”, where an on-site observer performs observations using a single telescope. A robotic network spread across longitude can break this aliasing pattern, but datasets are typically undersampled with respect to shorter periods in the range of interest. Given a limited number of observations, the optimal geometric sampling technique determines the best time to make individual observations in order to achieve similar sensitivity to periods across the full range of interest. Of particular importance is the property that as long as the set of gaps between observations remains unchanged, observations may be arbitrarily reordered (Saunders et al., 2006b). This property is fully exploited by the adaptive algorithm.

Unfortunately, observations are not guaranteed. In the dispatch model of telescope scheduling, users request observations but it is up to the telescope scheduler to decide whether such requests are honoured (Fraser, 2006). Observations may still fail even when submitted to an entirely cooperative scheduler, due to the possibility of telescope downtime or inclement weather. Thus any system seeking to reliably implement an optimal geometric sampling technique must in practice deal with such observation uncertainty.

2 Design principles

The environment in which the adaptive scheduling agent operates is inherently uncertain. This fact was the fundamental design constraint from which the desirable attributes of the agent were derived. Four principal ideas drove the design.

- **Robustness.** Building software that will operate reliably over a network is complicated. Therefore a guiding principle was to keep the algorithm as simple as possible, to minimise the possibility of unforeseen interactions between system components. With a distributed system it

* Corresponding author; e-mail: saunders@astro.ex.ac.uk

¹ Heterogeneous Telescope Networks

must be assumed that any remote part of the system can fail at any time, either temporarily or permanently. The algorithm needs to be able to make a reasonable attempt to continue under such circumstances.

- **Cynicism.** Although all the agents in the eSTAR system are in principle trustworthy, in practice it is much safer to assume nothing binding about events or entities external to the main code. The benevolence assumption, namely that agents may act for the greater good of the system, at their own expense, is not valid here. This is because the telescope schedulers, and by proxy the actions of the embedded agents, are not under the control of eSTAR. The goal of the embedded agents is to optimise the schedule in some internally satisfactory way, which may or may not coincide with the goals of the user agent. This is most important with respect to the scoring information returned by the observing nodes: since there is no penalty to the embedded agent for providing an inaccurate score, there is no compelling reason for the user agent to trust that value. Even if there is reason to believe that the node is acting in good faith, we still have no *a priori* idea of the accuracy of the information being supplied. Therefore external information should be considered, but not relied on, and in general the agent needs to adequately handle the worst case scenario (being supplied with false information).
- **Stability.** A poor algorithm would require chains of specific events in order to be successful. If the future is highly uncertain, then an algorithm that is reliant on that future to succeed is risky and fragile. Ideally, the performance of the algorithm should degrade gracefully as the environment becomes more hostile, so that it continues to make a best effort to succeed. In practical terms, this means that partial runs need to be optimal, i.e. that whatever the agent has achieved to date needs to be the best set of observations that it could make under the circumstances, since we cannot guarantee future observations at the temporal positions we specify.
- **Adaptability.** Finally, the agent needs to constantly evaluate the current state of the run and the current observing conditions, and alter its behaviour as necessary. Some simple examples illustrate this point. The agent is aiming to acquire a set of observations that are spaced by both small and large gaps of particular sizes. If the agent has acquired many small gaps, how should it alter its behaviour to try to achieve larger gaps? What should it do in the opposite case? Indeed, how should it deal with the general problem of a set of gaps that are not quite correct? Another plausible scenario is that of a telescope that consistently provides low scores, but still manages to complete observations successfully. How should that be handled? The agent programming approach explicitly assumes uncertainty and change, and defines a feedback cycle to interact with the environment. How to successfully implement useful adaptive

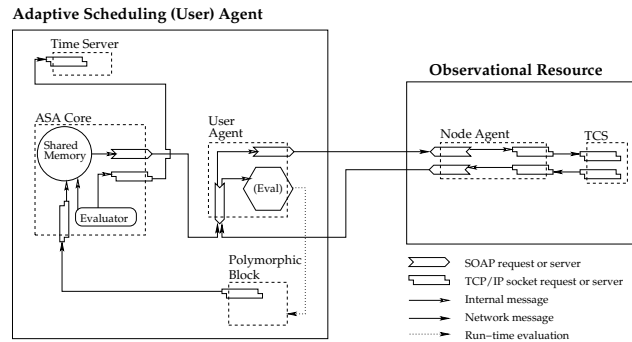


Fig. 1 Architecture of the adaptive scheduling agent. The multithreaded ASA core implements the adaptive evaluation engine, a SOAP submission mechanism for making observation requests, and a TCP/IP socket listener for receiving observation feedback information. Date/time information is abstracted by a time server, which can be accelerated to allow fast simulations to be performed. Actual RTML document construction and HTN protocol negotiations are handled by the user agent, a web service that implements a SOAP server for submitting observations and receiving asynchronous messages from the embedded agent. Asynchronous messages trigger a run-time code evaluation based on the observation type, allowing arbitrary response behaviour to be defined for different observing programmes. In this case, the polymorphic block strips pertinent information (primarily the observation timestamp) from the incoming message and pipes it to the dedicated socket listener in the ASA core. In this way the agent receives observation feedback as the run progresses, allowing direct optimisation of the future observing strategy.

behaviour is of critical importance to the success of this approach.

3 Implementation

Figure 1 shows the detailed architecture of the adaptive scheduling agent. The core decision-making algorithm is a multi-threaded Perl process that determines when to observe, translates between abstract theoretical timestamps and real dates and times, and monitors the progress of the observing run.

Observation requests are made by remote method invocation of the user agent web service running on the same machine. Following the HTN protocol (Allan et al., 2006), the user agent makes scoring requests of each telescope (by way of the embedded agent at each site), and then picks the highest non-zero score. A “request” document is then submitted. Under normal conditions, a “confirmation” document is returned. This indicates that the observation request has been accepted by the telescope and is now queued.

Eventually, the observation request is resolved. Although multiple exposure observation requests are possible, the ASA always requests single observations, as this

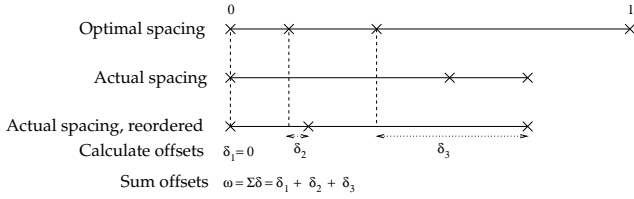


Fig. 2 Calculating the optimality, w , of a set of observations. The optimal and actual sets of gaps are sorted, smallest to largest, and each gap compared. The sum of offsets is w .

maximises the amount of scheduling control retained by the agent. Either the observation was successful, and an “observation” document is returned, or the observation did not succeed, and a message of type “fail” is returned. The return document is received by the user agent web service, and scanned for observation type. The agent compares the type to the set of types it knows how to deal with, and if there is a match, the code for that type is dynamically loaded and executed. This plug-in architecture allows custom actions to occur for different types of observation, allowing a single instance of the user agent web service to handle RTML marshalling for many distinct observing programmes.

The algorithmic block for the ASA extracts the critical pieces of information from the incoming RTML document. These include the requested start time, and if the observation was successful, the actual start time of the observation, gleaned from the FITS header included in the “observation” document. Any error messages are also picked up here. This subset of key information is then transmitted by a simple socket connection to the listener thread of the ASA core code. In this way the loop is closed.

4 Algorithm

4.1 Optimality

If an agent could place observations at any time and be guaranteed of success, then the choice of observations is clear: they should be placed with the gap spacings indicated by the optimal sampling. However in the normal operating environment many observations can fail. When an observation eventually does succeed, the gap between that observation and the last successful observation is unlikely to be of an ideal length — but it could be close.

What the agent requires is some unambiguous way to determine how well its completed spacings compare to the optimal set of gaps. It is not possible to simply compare the two sets of gaps and “tick off” perfect gaps as they are obtained, because even a “correct” observation is not precisely located. Telescope overheads mean that in practice an acceptable window for the observation must be provided, and the observation can take place anywhere within that window. Some sort of fuzzy criterion could be used, but this must be explicitly defined and is somewhat arbitrary.

The *optimality criterion*, w , is defined by the following simple series of operations.

1. Order the set of optimal gaps, from smallest to largest.
2. Order the set of obtained gaps, from smallest to largest.
3. For each obtained gap, find the offset of that gap from the optimal gap at that position in the set.
4. The overall optimality, w is the sum of these offsets.

Figure 2 illustrates this process. The optimal gap set is expressed in theoretical time, i.e. so that the run begins at timestamp 0 and the final observation occurs at timestamp 1. The obtained gaps are scaled to the same units. If the set of actual timestamps is in perfect agreement with the optimal set, then the value of the optimality metric is 0. There is no upper limit on the value since the length of the actual run can exceed that of the optimal sequence.

Note that the simplicity of this approach is only possible because of the reordering property of the optimal sequence. This allows the gaps to be compared in order of size, regardless of the actual observed ordering.

4.2 Choosing the next observation

The optimality function allows future observation timestamps to be compared. The agent seeks to minimise the value of the optimality, which will increase monotonically as more observations accrue. The question is, given the existing set of observations, what new timestamp will achieve this? Since time is continuous, in principle there are an infinite number of possible futures to choose between. Once again however it is the ability to reorder optimal observations that allows some elegant simplifications to be made. Firstly, if all reorderings of a given optimal series are considered equally optimal, then the set is degenerate with respect to reordering: for any set of gaps we need only consider one possible reordering. The most straightforward is to place the gaps in order of size. Secondly, it is apparent that any new observation should be placed in such a way as to exactly achieve one of the optimal gaps, since anything else would immediately increase the value of w for no gain. This insight drastically reduces the search space of possible timestamps.

An important side-effect of the definition of the optimality is that the agent usually prefers to acquire shorter gaps first. This behaviour emerges because the optimality is calculated by comparing optimal gaps to actual acquired gaps. The magnitude of the increase in w accrued from any new observation is directly proportional to the distance of that gap from its comparison gap. Because we choose to order the comparison gaps from shortest to longest, this means that large gaps early on are penalised by relatively large increases in w . This is an important feature. It makes good practical sense to go for the shortest useful gap at any given time, because the agent must wait until that timestamp before it can discover whether the observation actually happened (and hence the required gap collected).

It should be noted, however, that it is not sufficient to always seek the shortest “uncollected” gap, observation after observation. This would indeed be the best strategy if observations were always guaranteed to succeed, but in practice two types of forced deviations from optimality can be expected to occur. The first is that some timestamps are known prior to observation to be inaccessible, and hence are guaranteed to fail (e.g. because it is day, the target is not visible, the target is too close to the moon etc.). This information is passed back to the agent in the form of a score of 0. The second is that some fraction of observations that were expected to succeed will in fact fail “on the night,” due to uncertainties in the observing process itself (weather, telescope load, etc.).

These failures force the creation of sub-optimal gaps in the observing pattern. The specific shape of this observed pattern drives the choice of the next gap. This is because sub-optimality is defined as a continuous spectrum — a gap of a similar size to an optimal gap is “more optimal” than a gap of a very different size. The effect of failed observations is to increase the average size of gaps in the observed set. Although these larger gaps were not planned, they can nevertheless be useful, since they will be nearer in size to the larger gaps in the optimal set. It may therefore make sense for the agent to aim for a smaller gap, because this will shunt the larger gaps along in the optimality comparison, improving the overall optimality of the series. In other situations however, the agent may choose a slightly longer gap, even if it has not achieved all the shorter gaps preceding it, because too many short gaps will worsen the optimality of the longer end of the run. This is a direct consequence of finding a better value of w for a longer gap.

It is worth noting that at no point are the data themselves examined. This is by design; observing the Fourier transform of the data during the experiment, for example, and changing the sampling behaviour based on the results leads to a complex quagmire of interactions between the observer and the observations. It is possible, for example, to home in on a spurious signal in the periodogram, and to choose a sampling that selectively reinforces that signal. The guiding principle of simplicity suggests that such complexities should be avoided.

5 Testing and results

The agent was extensively tested in a virtual telescope environment before being deployed on the eSTAR network, where it acquired observations of a variable star with a well-known period as a proof-of-concept. This environment was designed to provide a virtual telescope network that would replicate as closely as possible the actual operating conditions under which the agent was to run. Each virtual telescope instance can be “sited” at a different virtual location, allowing the calculation of sunrise and sunset times, and the rise and set times of arbitrary points on the celestial sphere. To make the environment more challenging, non-zero score

replies have random values between 0 and 1, and have no correlation with the likelihood that the observation will in fact be successful.

The passage of time in the simulation is regulated by the *time server*. This is a simple standalone process that provides the current simulation time via a socket interface. Internally, the time server calculates the current simulation time by scaling the amount of real time elapsed since instantiation by an acceleration factor, provided at startup. Since all agents use the time server as the canonical source for timestamps and timing calculations, the time server allows the simulation to be run many times faster than the real world, enabling full simulations of a likely observing run to complete in a reasonable timeframe. Setting the acceleration factor to 1 allows the timeserver to run at normal speed, and therefore provides transparent access to the real-world time.

The probability of observation success is specified at startup for each virtual telescope, and a random number generator used to determine the success or failure of each observation at run-time. If successful, a fake FITS header is generated, with the correct observation timestamp placed within the header. This header is encapsulated inside the RTML message of type “observation” that is returned. Otherwise, a “fail” message with no data product is returned. Using the existing user agent and node agent codebase meant that at the protocol level the interaction between eSTAR components in the simulator was identical to that in the real world, allowing most aspects of document exchange to be tested before live deployment.

One limitation of the simulation environment was that fail rates at the virtual telescopes were not correlated, that is, periods of failure were not consecutive in time. This was not implemented because of the complexity of choosing realistic correlation behaviour. Even without such behaviour, the most critical aspects of the agent were able to be adequately tested. Nevertheless, this is an obvious way in which the virtual telescope environment could be improved.

The purpose of the tests performed in simulation was to identify bugs at several levels, and to evaluate the performance of the algorithm and iterate improvements in a tight feedback cycle. This included analysis at the message-passing level for conformity with the HTN protocol specification. The behaviour of the implemented algorithm was carefully compared with the design statement. A number of discrepancies were found and corrected. Most importantly, the performance of the algorithm under pseudo-realistic conditions allowed a number of unforeseen corner cases to be identified and correctly handled.

The scheduling algorithm was tested in a number of simulated observing runs, but the discussion of a single experiment is sufficient to illustrate the general performance characteristics. In this simulation a 10 day, 60 observation run was attempted. An acceleration factor of 50, applied to the time server, allowed a single 30 minute observing window to complete in 36 s. The start of the run was set to a date

of 27/04/07, at which time the target was observable approximately 2/3 of the time from at least one of the three Robonet-1.0 virtual telescopes. In this simulation, in addition to the non-observable blocks (which returned a score of 0 to the agent), the virtual telescopes were set to randomly fail observations at run-time with 50% probability (an arbitrary fraction that seemed reasonable).

The experiment was halted after 10 days had elapsed in simulation time. It was found that of all the observations submitted to the network, 40 had succeeded (i.e., been accepted to the queue, and then been declared successful at some point in the specified observing window), while 50 of the queued observations had failed (queued but not observed). All the successful observations were found to have close-to-optimal timestamps, subject to the observability and success constraints.

The results indicated crudely that if the real network exhibited a similar fail rate, then a ballpark figure of approximately 2/3 of the observations to be completed successfully was a reasonable expectation by the 10th continuous day of observing, and additionally, that the spacings between individual observations were likely to be near-optimal.

The analysis of the results of the subsequent observing run are outside the scope of this work, but will be presented in detail in a forthcoming paper (Saunders et al., 2007). For a detailed discussion of optimal geometric sampling and the adaptive scheduling agent, including results, see Saunders (2007).

6 Conclusions

We have built an adaptive scheduling agent that implements the optimal geometric sampling strategy for period searching described by Saunders et al. (2006b) in the context of an HTN-compliant network of telescopes. The algorithm automatically penalises the agent for choosing too many short gaps, but is similarly hostile to the chasing of large gaps when there are shorter, more valuable alternatives. In this way a balance point is determined that unambiguously defines the best option for the agent at any point in the run. The deceptively simple rule sequence for finding the optimality implicitly utilises the reordering property of optimal sequences, maximises the agent's cautiousness in the face of uncertainty, and provides a computationally cheap and scalable way to unambiguously calculate the best choice of action at any point. It is also stable — a snapshot of the run at any point in time is optimal for that subset of points, and minimises the effects of observation failure on the sequence. In the case of perfect observing behaviour (no failures), the optimal sequence is naturally recovered. Importantly, the degree of failure exhibited by the network can also change dynamically without adversely affecting the algorithm, because it makes no assumptions about the stability of the network, and makes no attempt to model the behaviour of the telescopes on which it relies.

Acknowledgements. ESS was funded through a PPARC e-Science studentship. This work is part of the eSTAR project, which supports AA and which is jointly funded by the DTI, PPARC and EPSRC.

References

- Allan, A., Hessman, F., Bischoff, K., et al.: 2006, AN, 327, 744
- Allan, A., Naylor, T., & Saunders, E. S.: 2007, AN, this volume
- Allan, A., Naylor, T., Steele, I. A., et al.: 2004, in *Advanced Software, Control, and Communication Systems for Astronomy*. Edited by Lewis, Hilton; Raffi, Gianni. Proceedings of the SPIE, 5496, 313-322
- Bode, M. F., Cardiff U., U. Hertfordshire, et al.: 2004, *Bulletin of the American Astronomical Society*, Vol. 36, *Bulletin of the American Astronomical Society*
- Fraser, S. N.: 2006, AN, 327, 779
- Hessman, F. V.: 2006, AN, 327, 751
- Mottram, C.: 2006, AN, 327, 806
- Pennypacker, C., Boer, M., Denny, R., et al.: 2002 A&A, 395, 727
- Saunders, E. S.: 2007, Thesis (University of Exeter)
- Saunders, E. S., Naylor, T., & Allan, A.: 2006a, AN, 327, 783
- Saunders, E. S., Naylor, T., & Allan, A.: 2006b, A&A, 455, 757
- Saunders, E. S., Naylor, T., & Allan, A.: 2007, in prep.