

# GHZ versus W : Quantum Teleportation through Noisy Channels

Eylee Jung<sup>1</sup>, Mi-Ra Hwang<sup>1</sup>, You Hwan Ju<sup>1</sup>, Min-Soo Kim<sup>2</sup>, Sahng-Kyoon Yoo<sup>3</sup>,  
Hungsoo Kim<sup>4</sup>, D. K. Park<sup>1</sup>, Jin-Woo Son<sup>2</sup>, S. Tamaryan<sup>5</sup>, Seong-Keuck Cha<sup>6</sup>

<sup>1</sup> *Department of Physics, Kyungnam University, Masan, 631-701, Korea*

<sup>2</sup> *Department of Mathematics, Kyungnam University, Masan, 631-701, Korea*

<sup>3</sup> *Green University, Hamyang, 676-872, Korea*

<sup>4</sup> *The Institute of Basic Science, Kyungnam University, Masan, 631-701, Korea*

<sup>5</sup> *Theory Department, Yerevan Physics Institute, Yerevan-36, 375036, Armenia*

<sup>6</sup> *Department of Chemistry, Kyungnam University, Masan, 631-701, Korea*

## Abstract

Which state does lose less quantum information between GHZ and W states when they are prepared for two-party quantum teleportation through noisy channel? We address this issue by solving analytically a master equation in the Lindbald form with introducing the noisy channels which makes the quantum channels to be mixed states. It is found that the answer of the question is dependent on the type of the noisy channel. If, for example, the noisy channel is  $(L_{2,x}, L_{3,x}, L_{4,x})$ -type where  $L$ 's denote the Lindbald operators, GHZ state is always more robust than W state, i.e. GHZ state preserves more quantum information. In, however,  $(L_{2,y}, L_{3,y}, L_{4,y})$ -type channel the situation becomes completely reversed. In  $(L_{2,z}, L_{3,z}, L_{4,z})$ -type channel W state is more robust than GHZ state when the noisy paramter ( $\kappa$ ) is comparatively small while GHZ state becomes more robust when  $\kappa$  is large. In isotropic noisy channel we found that both states preserve equal amount of quantum information. A relation between the average fidelity and entanglement for the mixed state quantum channels are discussed.

## I. INTRODUCTION

Quantum teleportation is an important process in quantum information theories[1]. This process enables us to transmit an unknown quantum state from a sender, called Alice, to a remote recipient, called Bob, via dual classical channels. Bennett et al have shown this process firstly in Ref.[2] about fifteen years ago. In this paper authors used an Einstein-Podolsky-Rosen state

$$|EPR\rangle = \frac{1}{\sqrt{2}}(|00\rangle + |11\rangle) \quad (1.1)$$

as an quantum channel between Alice and Bob. In fact,  $|EPR\rangle$  is not the only two-qubit state which allows a perfect quantum teleportation. Any states that are local-unitary(LU) equivalent with  $|EPR\rangle$  also can be used as quantum channels for the perfect teleportation. This set of states forms a set of maximally entangled states.

Subsequently, quantum teleportation using three-qubit quantum channels are discussed. In three-qubit system it is well-known that there are two LU-inequivalent types of the maximally entangled states, called Greenberger-Horne-Zeilinger(GHZ)[3] and W[4] states whose general expressions are

$$\begin{aligned} |GHZ\rangle &= a|000\rangle + b|111\rangle & (|a|^2 + |b|^2 = 1) \\ |W\rangle &= a|001\rangle + b|010\rangle + c|100\rangle & (|a|^2 + |b|^2 + |c|^2 = 1). \end{aligned} \quad (1.2)$$

The perfect two-party quantum teleportation with exact GHZ state<sup>1</sup> was discussed in Ref.[5]. Furthermore, authors in Ref.[5] discussed three-party teleportation (Alice, Bob, Cliff) with the GHZ state. This can be used as an imperfect quantum cloning machine[6].

Recently, it was shown[7] that not only GHZ state

$$|\psi_{GHZ}\rangle = \frac{1}{\sqrt{2}}(|000\rangle + |111\rangle) \quad (1.3)$$

but also W state

$$|\psi_W\rangle = \frac{1}{2}(|100\rangle + |010\rangle + \sqrt{2}|001\rangle) \quad (1.4)$$

can be used as quantum channels for the perfect two-party teleportation. As shown in Ref.[8] both  $|\psi_{GHZ}\rangle$  and  $|\psi_W\rangle$  have  $G(\psi) = 1/\sqrt{2}$ , where  $G(\psi)$  is a Groverian entanglement

---

<sup>1</sup> Exact GHZ state is  $|GHZ\rangle$  in Eq.(1.2) with  $a = b = 1/\sqrt{2}$ .

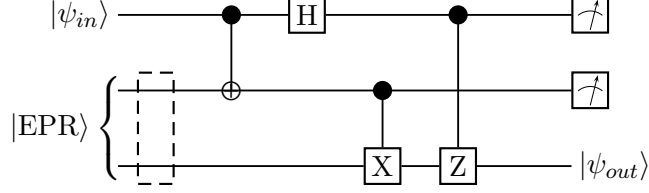


FIG. 1: A quantum circuit for quantum teleportation through noisy channels with EPR state. The top two lines belong to Alice while the bottom line belongs to Bob. The dotted box represents noisy channels, which makes the quantum channel to be mixed state.

measure[9]. Motivated from the fact that  $|\psi_{GHZ}\rangle$  and  $|\psi_W\rangle$  have same Groverian entanglement measure, authors in Ref.[10] have shown that the state

$$|\tilde{\psi}\rangle = \frac{1}{\sqrt{2}} (|00q_1\rangle + |11q_2\rangle) \quad (1.5)$$

where  $|q_1\rangle$  and  $|q_2\rangle$  are arbitrary normalized one-qubit states, has also  $G(\psi) = 1/\sqrt{2}$  and it can be used as a perfect two-party teleportation.

The fact that both  $|\psi_{GHZ}\rangle$  and  $|\psi_W\rangle$  allow the perfect two-party teleportation naturally arises the following question: which state is better if noisy channels are introduced in the process of teleportation? The purpose of this paper is to address this issue by solving analytically a master equation in the Lindbald form[11]

$$\frac{\partial \rho}{\partial t} = -i[H_S, \rho] + \sum_{i,\alpha} \left( L_{i,\alpha} \rho L_{i,\alpha}^\dagger - \frac{1}{2} \{ L_{i,\alpha}^\dagger L_{i,\alpha}, \rho \} \right) \quad (1.6)$$

where the Lindbald operator  $L_{i,\alpha} \equiv \sqrt{\kappa_{i,\alpha}} \sigma_\alpha^{(i)}$  acts on the  $i$ th qubit and describes decoherence, where  $\sigma_\alpha^{(i)}$  denotes the Pauli matrix of the  $i$ th qubit with  $\alpha = x, y, z$ . The constant  $\kappa_{i,\alpha}$  is approximately equals to the inverse of decoherence time. The master equation approach is shown to be equivalent to the usual quantum operation approach for the description of open quantum system[1].

The effect of noisy channels in usual teleportation with two-qubit EPR quantum channel has been discussed in Ref.[12]. The quantum circuit for teleportation with  $|EPR\rangle$  through noisy channel is illustrated in Fig. 1. The two top lines belong to Alice, while the bottom one belongs to Bob. The dotted box denotes noisy channel. Although different noisy channels were discussed in Ref.[12], we will concentrate on the noisy channel which makes the quantum

channel to be mixed because our main purpose is comparison of  $|\psi_{GHZ}\rangle$  with  $|\psi_W\rangle$  in the teleportation process.

How much quantum information is lost due to noisy channel can be measured by fidelity between  $|\psi_{in}\rangle$  and  $|\psi_{out}\rangle$ . In order to quantify this quantity it is more convenient to use the density matrix. Let  $\rho_{in} = |\psi_{in}\rangle\langle\psi_{in}|$  and  $\rho_{EPR} = |EPR\rangle\langle EPR|$ . Then the density matrix for output state reduces to

$$\rho_{out} = \text{Tr}_{1,2} \left[ U_{EPR} \rho_{in} \otimes \varepsilon(\rho_{EPR}) U_{EPR}^\dagger \right] \quad (1.7)$$

where  $\text{Tr}_{1,2}$  is partial trace over Alice's qubits and  $U_{EPR}$  is an unitary operator implemented by quantum circuit in Fig. 1. In Eq.(1.7)  $\varepsilon$  denotes a quantum operation which maps from  $\rho_{EPR}$  to  $\varepsilon(\rho_{EPR})$  due to noisy channel. The explicit expressions for  $\varepsilon(\rho_{EPR})$  can be derived by solving the master equation. Then the quantity which measures how much information is preserved or lost can be written as

$$F = \langle \psi_{in} | \rho_{out} | \psi_{in} \rangle \quad (1.8)$$

which is the square of the usual fidelity  $F(\rho, \sigma) = \text{Tr} \sqrt{\rho^{1/2} \sigma \rho^{1/2}}$ . Thus  $F = 1$  implies the perfect teleportation. If  $1 - F$  becomes larger and larger, this indicates that we lost quantum information more and more.

The paper is organized as follows. In section II we consider the two-party quantum teleportation with  $|\psi_{GHZ}\rangle$  as quantum channel when noisy channel makes  $|\psi_{GHZ}\rangle$  to be mixed state. Solving the master equation (1.6) analytically, we compute  $F$  in Eq.(1.8) explicitly when Lindblad operators are  $(L_{2,x}, L_{3,x}, L_{4,x})$ ,  $(L_{2,y}, L_{3,y}, L_{4,y})$ ,  $(L_{2,z}, L_{3,z}, L_{4,z})$  and isotropy respectively. In section III calculation in previous section is repeated with changing the quantum channel from  $|\psi_{GHZ}\rangle$  to  $|\psi_W\rangle$ . In section IV the results of section II and section III are compared with each other. It is shown that the answer of the question “which state is more robust<sup>2</sup> in the noisy channel?” is completely dependent on the type of the noisy channel. In  $(L_{2,x}, L_{3,x}, L_{4,x})$ , for example,  $|\psi_{GHZ}\rangle$  preserves more information than  $|\psi_W\rangle$  while reverse situation occurs in  $(L_{2,y}, L_{3,y}, L_{4,y})$  channel. The situation in  $(L_{2,z}, L_{3,z}, L_{4,z})$  channel is more delicate. When the multiplication of noisy parameter with time parameter, i.e.  $\kappa_{i,z}t$ , is small,  $|\psi_W\rangle$  is slightly more robust than  $|\psi_{GHZ}\rangle$ . If, however,

---

<sup>2</sup> Throughout this paper “a given state is more robust” means that the state does lose less quantum information in the quantum teleportation through noise channels

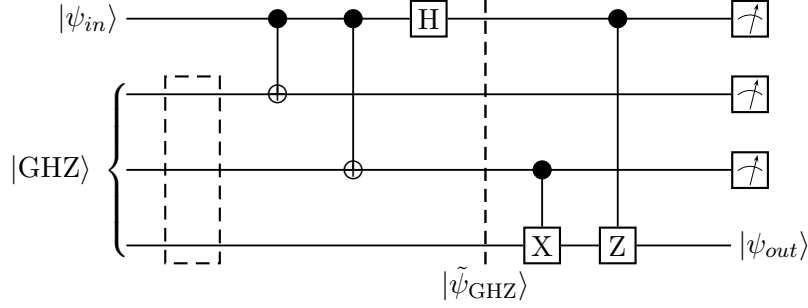


FIG. 2: A quantum circuit for quantum teleportation through noisy channels with GHZ state. The top three lines belong to Alice while the bottom line belongs to Bob. The dotted box represents noisy channels, which makes the quantum channel to be mixed state.

$\kappa_{i,z}t$  becomes larger,  $|\psi_{GHZ}\rangle$  preserves more information than  $|\psi_W\rangle$ . In isotropy noisy with  $\kappa_{i,x} = \kappa_{i,y} = \kappa_{i,z} = \kappa$  the average of  $F$  over all input state  $|\psi_{in}\rangle$  becomes identical for  $|\psi_{GHZ}\rangle$  and  $|\psi_W\rangle$ . In section IV we give a brief conclusion. Also we discuss in this section a relation between average fidelity and entanglement for the mixed state quantum channels.

## II. GHZ STATE WITH NOISY CHANNELS

In this section we would like to explore the effect of the noisy channels when the teleportation is performed with  $|\psi_{GHZ}\rangle$ . It is convenient to write the unknown state  $|\psi_{in}\rangle$  to be teleported as a Bloch vector on a Bloch sphere in a form:

$$|\psi_{in}\rangle = \cos\left(\frac{\theta}{2}\right) e^{i\phi/2}|0\rangle + \sin\left(\frac{\theta}{2}\right) e^{-i\phi/2}|1\rangle \quad (2.1)$$

where  $\theta$  and  $\phi$  are the polar and azimuthal angles.

The quantum circuit for teleportation with  $|\psi_{GHZ}\rangle$  is shown in Fig. 2. The three top lines belong to Alice, while the bottom one belongs to Bob. The dotted box denotes noisy channel. Comparing Fig. 2 to Fig. 1 there appears one more control-Not gate between the unknown state and GHZ state.

The density for output state can be computed by

$$\rho_{out} = \text{Tr}_{1,2,3} \left[ U_{GHZ} \rho_{in} \otimes \varepsilon(\rho_{GHZ}) U_{GHZ}^\dagger \right] \quad (2.2)$$

where  $\text{Tr}_{1,2,3}$  is partial trace over Alice's qubits and  $U_{GHZ}$  is an unitary operator, which can be read straightly from Fig. 2. In Eq.(2.2)  $\rho_{in} = |\psi_{in}\rangle\langle\psi_{in}|$  and  $\rho_{GHZ} = |\psi_{GHZ}\rangle\langle\psi_{GHZ}|$ .

Now, we consider  $(L_{2,z}, L_{3,z}, L_{4,z})$  noise channel because it is most simple to solve the master equation (1.6). Putting  $\sigma_{ij} = \varepsilon_{ij}(\rho_{GHZ})$  with  $i, j = 0, \dots, 7$  and assuming  $H_S = 0$  and  $\kappa_{2,z} = \kappa_{3,z} = \kappa_{4,z} = \kappa$ , the master equation reduces to 8 diagonal and 28 off-diagonal first-order differential equations. Most of them simply give trivial solution and the only non-vanishing components are  $\sigma_{00} = \sigma_{77} = 1/2$  and  $\sigma_{07} = \sigma_{70} = e^{-6\kappa t}/2$ . Thus in this noisy channel  $\varepsilon(\rho_{GHZ})$  becomes

$$\varepsilon(\rho_{GHZ}) = \frac{1}{2} (|000\rangle\langle 000| + |111\rangle\langle 111|) + \frac{1}{2} e^{-6\kappa t} (|000\rangle\langle 111| + |111\rangle\langle 000|). \quad (2.3)$$

Inserting Eq.(2.3) into Eq.(2.2) it is straightforward to derive  $\rho_{out}$ . Then the quantity  $F$  defined in Eq.(1.8) is dependent on input angle  $\theta$  as follows:

$$F(\theta, \phi) = 1 - \frac{1}{2} (1 - e^{-6\kappa t}) \sin^2 \theta. \quad (2.4)$$

The average  $F(\theta, \phi)$  over all possible input unknown states defined

$$\bar{F} \equiv \frac{1}{4\pi} \int_0^{2\pi} d\phi \int_0^\pi d\theta \sin \theta F(\theta, \phi) \quad (2.5)$$

reduces to

$$\bar{F} = \frac{2}{3} + \frac{1}{3} e^{-6\kappa t}. \quad (2.6)$$

It is easy to check that  $F(\theta, \phi) = \bar{F} = 1$  when there is no noisy channel, i.e.  $\kappa = 0$ , which implies the perfect teleportation.

Next, we consider  $(L_{2,x}, L_{3,x}, L_{4,x})$  noisy channel. Putting again  $\sigma_{ij} = \varepsilon_{ij}(\rho_{GHZ})$  and assuming again  $H_S = 0$  and  $\kappa_{2,x} = \kappa_{3,x} = \kappa_{4,x} = \kappa$ , one can show that the master equation (1.6) reduces to 8 diagonal coupled linear differential equations and 28 off-diagonal coupled linear differential equations. The 8 diagonal equations imply  $\sum_{i=0}^3 \sigma_{ii} = \sum_{i=4}^7 \sigma_{ii} = 1/2$ . Thus we can write  $\sigma_{00} = 1/2 + \delta q_0$ ,  $\sigma_{11} = \delta q_1$ ,  $\sigma_{22} = \delta q_2$ ,  $\sigma_{33} = -\delta q_0 - \delta q_1 - \delta q_2$ ,  $\sigma_{44} = \delta q_4$ ,  $\sigma_{55} = \delta q_5$ ,  $\sigma_{66} = \delta q_6$ , and  $\sigma_{77} = 1/2 - (\delta q_4 + \delta q_5 + \delta q_6)$  with  $\delta q_i(t=0) = 0$  for all  $i$ . Inserting these expressions into the original coupled equations, one can easily derive the diagonal components of  $\sigma$ , which are

$$\begin{aligned} \sigma_{00} = \sigma_{77} &= \frac{1}{8} (1 + 3e^{-4\kappa t}) \\ \sigma_{11} = \dots = \sigma_{66} &= \frac{1}{8} (1 - e^{-4\kappa t}). \end{aligned} \quad (2.7)$$

The off-diagonal 28 coupled equations consist of 7 groups, each of which are 4 coupled differential equations in the closed form. Thus we can solve all of them by similar way. Most

of them give the trivial solutions and the nonvanishing components are

$$\begin{aligned}\sigma_{07} &= \frac{1}{8} (1 + 3e^{-4\kappa t}) \\ \sigma_{16} = \sigma_{25} = \sigma_{34} &= \frac{1}{8} (1 - e^{-4\kappa t})\end{aligned}\tag{2.8}$$

with  $\sigma_{ij} = \sigma_{ji}$ . Defining

$$\begin{aligned}\alpha_+ &\equiv 1 + 3e^{-4\kappa t} \\ \alpha_- &\equiv 1 - e^{-4\kappa t},\end{aligned}\tag{2.9}$$

we can express  $\varepsilon(\rho_{GHZ})$  analytically in a form:

$$\varepsilon(\rho_{GHZ}) = \frac{1}{8} \begin{pmatrix} \alpha_+ & 0 & 0 & 0 & 0 & 0 & 0 & \alpha_+ \\ 0 & \alpha_- & 0 & 0 & 0 & 0 & \alpha_- & 0 \\ 0 & 0 & \alpha_- & 0 & 0 & \alpha_- & 0 & 0 \\ 0 & 0 & 0 & \alpha_- & \alpha_- & 0 & 0 & 0 \\ 0 & 0 & 0 & \alpha_- & \alpha_- & 0 & 0 & 0 \\ 0 & 0 & \alpha_- & 0 & 0 & \alpha_- & 0 & 0 \\ 0 & \alpha_- & 0 & 0 & 0 & 0 & \alpha_- & 0 \\ \alpha_+ & 0 & 0 & 0 & 0 & 0 & 0 & \alpha_+ \end{pmatrix}.\tag{2.10}$$

Then using Eq.(2.2) one can compute  $F(\theta, \phi)$  and  $\bar{F}$ , whose expressions are

$$\begin{aligned}F(\theta, \phi) &= \frac{1}{2} [(1 + \sin^2 \theta \cos^2 \phi) + e^{-4\kappa t} (\cos^2 \theta + \sin^2 \theta \sin^2 \phi)] \\ \bar{F} &= \frac{2}{3} + \frac{1}{3} e^{-4\kappa t}.\end{aligned}\tag{2.11}$$

Similar calculation shows that  $\varepsilon(\rho_{GHZ})$  for  $(L_{2,y}, L_{3,y}, L_{4,y})$  noisy channel becomes

$$\varepsilon(\rho_{GHZ}) = \frac{1}{8} \begin{pmatrix} \alpha_+ & 0 & 0 & 0 & 0 & 0 & 0 & \beta_1 \\ 0 & \alpha_- & 0 & 0 & 0 & 0 & -\beta_2 & 0 \\ 0 & 0 & \alpha_- & 0 & 0 & -\beta_2 & 0 & 0 \\ 0 & 0 & 0 & \alpha_- & -\beta_2 & 0 & 0 & 0 \\ 0 & 0 & 0 & -\beta_2 & \alpha_- & 0 & 0 & 0 \\ 0 & 0 & -\beta_2 & 0 & 0 & \alpha_- & 0 & 0 \\ 0 & -\beta_2 & 0 & 0 & 0 & 0 & \alpha_- & 0 \\ \beta_1 & 0 & 0 & 0 & 0 & 0 & 0 & \alpha_+ \end{pmatrix}.\tag{2.12}$$

where  $\alpha_{\pm}$  are given in Eq.(2.9) and,  $\beta_1$  and  $\beta_2$  are defined as

$$\begin{aligned}\beta_1 &= 3e^{-2\kappa t} + e^{-6\kappa t} \\ \beta_2 &= e^{-2\kappa t} - e^{-6\kappa t}.\end{aligned}\tag{2.13}$$

Then Eq.(2.2) generates

$$\begin{aligned}F(\theta, \phi) &= \frac{1}{2} [1 + \sin^2 \theta \sin^2 \phi e^{-2\kappa t} + \cos^2 \theta e^{-4\kappa t} + \sin^2 \theta \cos^2 \phi e^{-6\kappa t}] \\ \bar{F} &= \frac{1}{6} (3 + e^{-2\kappa t} + e^{-4\kappa t} + e^{-6\kappa t}).\end{aligned}\tag{2.14}$$

For isotropic noise, which is described by nine Lindbald operators,  $L_{2,\alpha}$ ,  $L_{3,\alpha}$ , and  $L_{4,\alpha}$  with  $\alpha = x, y, z$ ,  $\varepsilon(\rho_{GHZ})$  becomes

$$\varepsilon(\rho_{GHZ}) = \frac{1}{8} \begin{pmatrix} \tilde{\alpha}_+ & 0 & 0 & 0 & 0 & 0 & 0 & \gamma \\ 0 & \tilde{\alpha}_- & 0 & 0 & 0 & 0 & 0 & 0 \\ 0 & 0 & \tilde{\alpha}_- & 0 & 0 & 0 & 0 & 0 \\ 0 & 0 & 0 & \tilde{\alpha}_- & 0 & 0 & 0 & 0 \\ 0 & 0 & 0 & 0 & \tilde{\alpha}_- & 0 & 0 & 0 \\ 0 & 0 & 0 & 0 & 0 & \tilde{\alpha}_- & 0 & 0 \\ 0 & 0 & 0 & 0 & 0 & 0 & \tilde{\alpha}_- & 0 \\ \gamma & 0 & 0 & 0 & 0 & 0 & 0 & \tilde{\alpha}_+ \end{pmatrix}.\tag{2.15}$$

where

$$\begin{aligned}\tilde{\alpha}_+ &= 1 + 3e^{-8\kappa t} \\ \tilde{\alpha}_- &= 1 - e^{-8\kappa t} \\ \gamma &= 4e^{-12\kappa t}.\end{aligned}\tag{2.16}$$

In this case  $F(\theta, \phi)$  and  $\bar{F}$  becomes

$$\begin{aligned}F(\theta, \phi) &= \frac{1}{2} [1 + e^{-8\kappa t} \cos^2 \theta + e^{-12\kappa t} \sin^2 \theta] \\ \bar{F} &= \frac{1}{6} (3 + e^{-8\kappa t} + 2e^{-12\kappa t}).\end{aligned}\tag{2.17}$$

It is interesting to note that  $F(\theta, \phi)$  for the isotropic noisy channel is dependent on angle parameter  $\theta$ , while same quantity is indendent of  $\theta$  in Ref.[12], where two-qubit EPR state was used. The final results of  $F(\theta, \phi)$  and  $\bar{F}$  are summarized at Table I and will be compared to those derived from  $|\psi_W\rangle$ . In the next section we will discuss the effect of noisy channels when we prepare  $|\psi_W\rangle$  for the quantum teleportation.



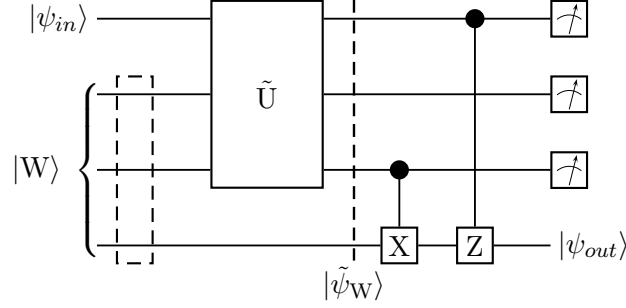


FIG. 3: A quantum circuit for quantum teleportation through noisy channels with W state. The top three lines belong to Alice while the bottom line belongs to Bob. The dotted box represents noisy channels, which makes the quantum channel to be mixed state. The unitary operator  $\tilde{U}$  makes  $|\tilde{\psi}_W\rangle$  coincide with  $|\tilde{\psi}_{GHZ}\rangle$  expressed in Fig. 2

### III. W STATE WITH NOISY CHANNELS

In this section we would like to repeat calculation of the previous section when  $|\psi_{GHZ}\rangle$  is replaced by  $|\psi_W\rangle$ . In order to compute  $F(\theta, \phi)$  we need a quantum circuit, which should be, of course, different from Fig. 2. The quantum circuit for the quantum teleportation with  $|\psi_W\rangle$  described in Fig. 3 is not simple like GHZ state. It cannot be represented by usual control-Not and Hardmard gates. In fact, we don't know how to express  $\tilde{U}$ -gate described in Fig. 3 as combination of usual well-known gates such as control-Not, Hardmard, Pauli X, Y, Z and Toffoli gates. The  $\tilde{U}$ -gate is made to make  $|\tilde{\psi}_W\rangle$  in Fig. 3 equal to  $|\tilde{\psi}_{GHZ}\rangle$  in Fig 2. The explicit expression for  $\tilde{U}$ -gate is

$$\tilde{U} = \frac{1}{2} \begin{pmatrix} 0 & 1 & 1 & 0 & \sqrt{2} & 0 & 0 & 0 \\ 0 & 0 & 0 & 2 & 0 & 0 & 0 & 0 \\ 0 & 0 & 0 & 0 & 0 & 0 & 0 & 2 \\ \sqrt{2} & 0 & 0 & 0 & 0 & 1 & 1 & 0 \\ 0 & 1 & 1 & 0 & -\sqrt{2} & 0 & 0 & 0 \\ 0 & \sqrt{2} & -\sqrt{2} & 0 & 0 & 0 & 0 & 0 \\ 0 & 0 & 0 & 0 & 0 & \sqrt{2} & -\sqrt{2} & 0 \\ \sqrt{2} & 0 & 0 & 0 & 0 & -1 & -1 & 0 \end{pmatrix}. \quad (3.1)$$

In spite of, therefore, lack of knowledge on  $\tilde{U}$ -gate  $\rho_{out}$ , the density matrix for output state, can be derived by

$$\rho_{out} = \text{Tr}_{1,2,3} \left[ U_W \rho_{in} \otimes \varepsilon(\rho_W) U_W^\dagger \right] \quad (3.2)$$

where the unitary operator  $U_W$  can be read easily from Fig. 3 and  $\varepsilon(\rho_W)$  is a density matrix constructed by  $\rho_W \equiv |\psi_W\rangle\langle\psi_W|$  and noisy channels described by the dotted box in Fig. 3.

Now we first consider  $(L_{2,z}, L_{3,z}, L_{4,z})$  channel. In this case the master equation (1.6) with assuming, for simplicity,  $\kappa_{2,z} = \kappa_{3,z} = \kappa_{4,z} = \kappa$  reduces to the simple first-order differential equations, which gives

$$\varepsilon(\rho_W) = \frac{1}{4} \begin{pmatrix} 0 & 0 & 0 & 0 & 0 & 0 & 0 & 0 \\ 0 & 2 & \sqrt{2}e^{-4\kappa t} & 0 & \sqrt{2}e^{-4\kappa t} & 0 & 0 & 0 \\ 0 & \sqrt{2}e^{-4\kappa t} & 1 & 0 & e^{-4\kappa t} & 0 & 0 & 0 \\ 0 & 0 & 0 & 0 & 0 & 0 & 0 & 0 \\ 0 & \sqrt{2}e^{-4\kappa t} & e^{-4\kappa t} & 0 & 1 & 0 & 0 & 0 \\ 0 & 0 & 0 & 0 & 0 & 0 & 0 & 0 \\ 0 & 0 & 0 & 0 & 0 & 0 & 0 & 0 \\ 0 & 0 & 0 & 0 & 0 & 0 & 0 & 0 \end{pmatrix}. \quad (3.3)$$

Then Eq.(3.2) allows us to compute  $\rho_{out}$  directly and Eq.(1.8) gives

$$\begin{aligned} F(\theta, \phi) &= 1 - \frac{1}{4} (1 - e^{-4\kappa t}) (1 + \sin^2 \theta) \\ \bar{F} &= \frac{1}{12} (7 + 5e^{-4\kappa t}). \end{aligned} \quad (3.4)$$

Next we consider  $(L_{2,x}, L_{3,x}, L_{4,x})$  noisy channel with  $\kappa_{2,x} = \kappa_{3,x} = \kappa_{4,x} = \kappa$ . In this case the master equation reduces to 8 diagonal coupled equations and 28 off-diagonal coupled equations. The diagonal equations imply  $\sum_{i=0}^3 \sigma_{ii} = 1/2 + e^{-2\kappa t}/4$  and  $\sum_{i=4}^7 \sigma_{ii} = 1/2 - e^{-2\kappa t}/4$ , where  $\sigma_{ij} = \varepsilon_{ij}(\rho_W)$  with  $i, j = 0, \dots, 7$ . Using these two constraints one can

compute all diagonal components, which are

$$\begin{aligned}
\sigma_{00} &= \frac{1}{8} (1 + e^{-2\kappa t} - e^{-4\kappa t} - e^{-6\kappa t}) \\
\sigma_{11} &= \frac{1}{8} (1 + e^{-2\kappa t} + e^{-4\kappa t} + e^{-6\kappa t}) \\
\sigma_{22} &= \sigma_{44} = \frac{1}{8} (1 + e^{-6\kappa t}) \\
\sigma_{33} &= \sigma_{55} = \frac{1}{8} (1 - e^{-6\kappa t}) \\
\sigma_{66} &= \frac{1}{8} (1 - e^{-2\kappa t} + e^{-4\kappa t} - e^{-6\kappa t}) \\
\sigma_{77} &= \frac{1}{8} (1 - e^{-2\kappa t} - e^{-4\kappa t} + e^{-6\kappa t}).
\end{aligned} \tag{3.5}$$

The equations for the off-diagonal components are more complicated. However, these equations consist of 7 groups, each of which are 4 closed coupled equations. This fact allows us to compute all components analytically, whose explicit expressions are

$$\begin{aligned}
\sigma_{03} &= \sigma_{05} = \sqrt{2}\sigma_{06} = \frac{\sqrt{2}}{16} (1 + e^{-2\kappa t} - e^{-4\kappa t} - e^{-6\kappa t}) \\
\sigma_{12} &= \sigma_{14} = \sqrt{2}\sigma_{24} = \frac{\sqrt{2}}{16} (1 + e^{-2\kappa t} + e^{-4\kappa t} + e^{-6\kappa t}) \\
\sigma_{27} &= \sigma_{47} = \sqrt{2}\sigma_{17} = \frac{\sqrt{2}}{16} (1 - e^{-2\kappa t} - e^{-4\kappa t} + e^{-6\kappa t}) \\
\sigma_{36} &= \sigma_{56} = \sqrt{2}\sigma_{35} = \frac{\sqrt{2}}{16} (1 - e^{-2\kappa t} + e^{-4\kappa t} - e^{-6\kappa t})
\end{aligned} \tag{3.6}$$

with  $\sigma_{ij} = \sigma_{ji}$ . Defining

$$\begin{aligned}
\alpha_1 &= 1 + e^{-2\kappa t} + e^{-4\kappa t} + e^{-6\kappa t} \\
\alpha_2 &= 1 + e^{-2\kappa t} - e^{-4\kappa t} - e^{-6\kappa t} \\
\alpha_3 &= 1 - e^{-2\kappa t} - e^{-4\kappa t} + e^{-6\kappa t} \\
\alpha_4 &= 1 - e^{-2\kappa t} + e^{-4\kappa t} - e^{-6\kappa t} \\
\beta_{\pm} &= 1 \pm e^{-6\kappa t},
\end{aligned} \tag{3.7}$$

one can express  $\varepsilon(\rho_W)$  as following:

$$\varepsilon(\rho_W) = \frac{1}{16} \begin{pmatrix} 2\alpha_2 & 0 & 0 & \sqrt{2}\alpha_2 & 0 & \sqrt{2}\alpha_2 & \alpha_2 & 0 \\ 0 & 2\alpha_1 & \sqrt{2}\alpha_1 & 0 & \sqrt{2}\alpha_1 & 0 & 0 & \alpha_3 \\ 0 & \sqrt{2}\alpha_1 & 2\beta_+ & 0 & \alpha_1 & 0 & 0 & \sqrt{2}\alpha_3 \\ \sqrt{2}\alpha_2 & 0 & 0 & 2\beta_- & 0 & \alpha_4 & \sqrt{2}\alpha_4 & 0 \\ 0 & \sqrt{2}\alpha_1 & \alpha_1 & 0 & 2\beta_+ & 0 & 0 & \sqrt{2}\alpha_3 \\ \sqrt{2}\alpha_2 & 0 & 0 & \alpha_4 & 0 & 2\beta_- & \sqrt{2}\alpha_4 & 0 \\ \alpha_2 & 0 & 0 & \sqrt{2}\alpha_4 & 0 & \sqrt{2}\alpha_4 & 2\alpha_4 & 0 \\ 0 & \alpha_3 & \sqrt{2}\alpha_3 & 0 & \sqrt{2}\alpha_3 & 0 & 0 & 2\alpha_3 \end{pmatrix}. \quad (3.8)$$

Inserting Eq.(3.8) into (3.2), one can compute  $\rho_{out}$  directly. Thus using  $\rho_{out}$  and Eq.(1.8), one can compute  $F(\theta, \phi)$  and  $\bar{F}$  whose expressions are

$$F(\theta, \phi) = \frac{1}{8} \left[ (4 + 2 \sin^2 \theta \cos^2 \phi) + e^{-2\kappa t} (\cos^2 \theta + 2 \sin^2 \theta \cos^2 \phi) \right. \\ \left. + e^{-4\kappa t} (2 \sin^2 \theta \sin^2 \phi) + e^{-6\kappa t} (3 \cos^2 \theta + 2 \sin^2 \theta \sin^2 \phi) \right] \quad (3.9)$$

$$\bar{F} = \frac{1}{24} (14 + 3e^{-2\kappa t} + 2e^{-4\kappa t} + 5e^{-6\kappa t}).$$

For  $(L_{2,y}, L_{3,y}, L_{4,y})$  noisy channel similar calculation shows that  $\varepsilon(\rho_w)$  reduces to

$$\varepsilon(\rho_W) = \frac{1}{16} \begin{pmatrix} 2\alpha_2 & 0 & 0 & -\sqrt{2}\alpha_2 & 0 & -\sqrt{2}\alpha_2 & -\alpha_2 & 0 \\ 0 & 2\alpha_1 & \sqrt{2}\alpha_1 & 0 & \sqrt{2}\alpha_1 & 0 & 0 & -\alpha_3 \\ 0 & \sqrt{2}\alpha_1 & 2\beta_+ & 0 & \alpha_1 & 0 & 0 & -\sqrt{2}\alpha_3 \\ -\sqrt{2}\alpha_2 & 0 & 0 & 2\beta_- & 0 & \alpha_4 & \sqrt{2}\alpha_4 & 0 \\ 0 & \sqrt{2}\alpha_1 & \alpha_1 & 0 & 2\beta_+ & 0 & 0 & -\sqrt{2}\alpha_3 \\ -\sqrt{2}\alpha_2 & 0 & 0 & \alpha_4 & 0 & 2\beta_- & \sqrt{2}\alpha_4 & 0 \\ -\alpha_2 & 0 & 0 & \sqrt{2}\alpha_4 & 0 & \sqrt{2}\alpha_4 & 2\alpha_4 & 0 \\ 0 & -\alpha_3 & -\sqrt{2}\alpha_3 & 0 & -\sqrt{2}\alpha_3 & 0 & 0 & 2\alpha_3 \end{pmatrix} \quad (3.10)$$

and, as a result,  $F(\theta, \phi)$  and  $\bar{F}$  reduce to

$$F(\theta, \phi) = \frac{1}{8} \left[ (4 + 2 \sin^2 \theta \sin^2 \phi) + e^{-2\kappa t} (\cos^2 \theta + 2 \sin^2 \theta \sin^2 \phi) \right. \\ \left. + e^{-4\kappa t} (2 \sin^2 \theta \cos^2 \phi) + e^{-6\kappa t} (3 \cos^2 \theta + 2 \sin^2 \theta \cos^2 \phi) \right] \quad (3.11)$$

$$\bar{F} = \frac{1}{24} (14 + 3e^{-2\kappa t} + 2e^{-4\kappa t} + 5e^{-6\kappa t}).$$

It is interesting to note that  $\bar{F}$  for  $(L_{2,x}, L_{3,x}, L_{4,x})$  noisy channel is same with  $\bar{F}$  for  $(L_{2,y}, L_{3,y}, L_{4,y})$  noisy channel.

Finally for isotropic noisy channel  $\varepsilon(\rho_W)$  becomes

$$\varepsilon(\rho_W) = \frac{1}{8} \begin{pmatrix} \tilde{\alpha}_2 & 0 & 0 & 0 & 0 & 0 & 0 & 0 \\ 0 & \tilde{\alpha}_1 & \sqrt{2}\tilde{\gamma}_+ & 0 & \sqrt{2}\tilde{\gamma}_+ & 0 & 0 & 0 \\ 0 & \sqrt{2}\tilde{\gamma}_+ & \tilde{\beta}_+ & 0 & \tilde{\gamma}_+ & 0 & 0 & 0 \\ 0 & 0 & 0 & \tilde{\beta}_- & 0 & \tilde{\gamma}_- & \sqrt{2}\tilde{\gamma}_- & 0 \\ 0 & \sqrt{2}\tilde{\gamma}_+ & \tilde{\gamma}_+ & 0 & \tilde{\beta}_+ & 0 & 0 & 0 \\ 0 & 0 & 0 & \tilde{\gamma}_- & 0 & \tilde{\beta}_- & \sqrt{2}\tilde{\gamma}_- & 0 \\ 0 & 0 & 0 & \sqrt{2}\tilde{\gamma}_- & 0 & \sqrt{2}\tilde{\gamma}_- & \tilde{\alpha}_4 & 0 \\ 0 & 0 & 0 & 0 & 0 & 0 & 0 & \tilde{\alpha}_3 \end{pmatrix} \quad (3.12)$$

where

$$\tilde{\alpha}_1 = 1 + e^{-4\kappa t} + e^{-8\kappa t} + e^{-12\kappa t} \quad (3.13)$$

$$\tilde{\alpha}_2 = 1 + e^{-4\kappa t} - e^{-8\kappa t} - e^{-12\kappa t}$$

$$\tilde{\alpha}_3 = 1 - e^{-4\kappa t} - e^{-8\kappa t} + e^{-12\kappa t}$$

$$\tilde{\alpha}_4 = 1 - e^{-4\kappa t} + e^{-8\kappa t} - e^{-12\kappa t}$$

$$\tilde{\beta}_\pm = 1 \pm e^{-12\kappa t}$$

$$\tilde{\gamma}_\pm = e^{-8\kappa t} \pm e^{-12\kappa t}.$$

Thus one can compute  $F(\theta, \phi)$  and  $\bar{F}$  for this noisy channel, which are

$$F(\theta, \phi) = \frac{1}{4} [2 + e^{-8\kappa t} \sin^2 \theta + e^{-12\kappa t} (1 + \cos^2 \theta)] \quad (3.14)$$

$$\bar{F} = \frac{1}{6} (3 + e^{-8\kappa t} + 2e^{-12\kappa t}).$$

The measures  $F(\theta, \phi)$  and  $\bar{F}$  for the various noisy channels are summarized in Table I with those for GHZ state. In the next section we will compare  $F(\theta, \phi)$  and  $\bar{F}$  for GHZ state with those for W state.

#### IV. GHZ VERSUS W

	noise	GHZ	W
$F(\theta, \phi)$	$((L_{2x}, L_{3x}, L_{4x})$	$\frac{1}{2} \left[ (1 + \sin^2 \theta \cos^2 \phi) + e^{-4\kappa t} (1 - \sin^2 \theta \cos^2 \phi) \right]$	$\frac{1}{8} \left[ (4 + 2 \sin^2 \theta \cos^2 \phi) + e^{-2\kappa t} (\cos^2 \theta + 2 \sin^2 \theta \cos^2 \phi) + e^{-4\kappa t} (2 \sin^2 \theta \sin^2 \phi) + e^{-6\kappa t} (3 \cos^2 \theta + 2 \sin^2 \theta \sin^2 \phi) \right]$
	$((L_{2y}, L_{3y}, L_{4y})$	$\frac{1}{2} \left[ 1 + \sin^2 \theta \sin^2 \phi e^{-2\kappa t} + \cos^2 \theta e^{-4\kappa t} + \sin^2 \theta \cos^2 \phi e^{-6\kappa t} \right]$	$\frac{1}{8} \left[ (4 + 2 \sin^2 \theta \sin^2 \phi) + e^{-2\kappa t} (\cos^2 \theta + 2 \sin^2 \theta \sin^2 \phi) + e^{-4\kappa t} (2 \sin^2 \theta \cos^2 \phi) + e^{-6\kappa t} (3 \cos^2 \theta + 2 \sin^2 \theta \cos^2 \phi) \right]$
	$((L_{2z}, L_{3z}, L_{4z})$	$1 - \frac{1}{2} (1 - e^{-6\kappa t}) \sin^2 \theta$	$1 - \frac{1}{4} (1 - e^{-4\kappa t}) (1 + \sin^2 \theta)$
	isotropy	$\frac{1}{2} (1 + \cos^2 \theta e^{-8\kappa t} + \sin^2 \theta e^{-12\kappa t})$	$\frac{1}{4} [2 + \sin^2 \theta e^{-8\kappa t} + (1 + \cos^2 \theta) e^{-12\kappa t}]$
$\bar{F}$	$((L_{2x}, L_{3x}, L_{4x})$	$\frac{2}{3} + \frac{1}{3} e^{-4\kappa t}$	$\frac{1}{24} (14 + 3e^{-2\kappa t} + 2e^{-4\kappa t} + 5e^{-6\kappa t})$
	$((L_{2y}, L_{3y}, L_{4y})$	$\frac{1}{6} (3 + e^{-2\kappa t} + e^{-4\kappa t} + e^{-6\kappa t})$	$\frac{1}{24} (14 + 3e^{-2\kappa t} + 2e^{-4\kappa t} + 5e^{-6\kappa t})$
	$((L_{2z}, L_{3z}, L_{4z})$	$\frac{2}{3} + \frac{1}{3} e^{-6\kappa t}$	$\frac{1}{12} (7 + 5e^{-4\kappa t})$
	isotropy	$\frac{1}{6} (3 + e^{-8\kappa t} + 2e^{-12\kappa t})$	$\frac{1}{6} (3 + e^{-8\kappa t} + 2e^{-12\kappa t})$

Table I: Summary of  $F(\theta, \phi)$  and  $\bar{F}$  in various noisy channels.

The quantities  $F(\theta, \phi)$  and  $\bar{F}$  for various noisy channels are summarized at Table I when GHZ and W states are prepared for the quantum teleportation. The most interesting feature in Table I is the fact that  $\bar{F}$  for GHZ is exactly same with that for W in the isotropic channel. Since the isotropic noisy channel can be regarded roughly as a sum of  $(L_{2,x}, L_{3,x}, L_{4,x})$ ,  $(L_{2,y}, L_{3,y}, L_{4,y})$ , and  $(L_{2,z}, L_{3,z}, L_{4,z})$  noisy channels, this fact indicates that which state between GHZ and W does not lose information is noise-dependent.

In order to show this fact explicitly we plot the  $\kappa t$ -dependence of  $\bar{F}$  for  $(L_{2,x}, L_{3,x}, L_{4,x})$  (Fig. 4a),  $(L_{2,y}, L_{3,y}, L_{4,y})$  (Fig. 4b), and  $(L_{2,z}, L_{3,z}, L_{4,z})$  (Fig. 4c) noisy channels. Fig. 4 shows that  $\bar{F}$  for  $|\psi_{GHZ}\rangle$  is always larger than that for  $|\psi_W\rangle$  in  $(L_{2,x}, L_{3,x}, L_{4,x})$  noisy channel. This means that  $|\psi_{GHZ}\rangle$  does lose less quantum information compared to  $|\psi_W\rangle$  in

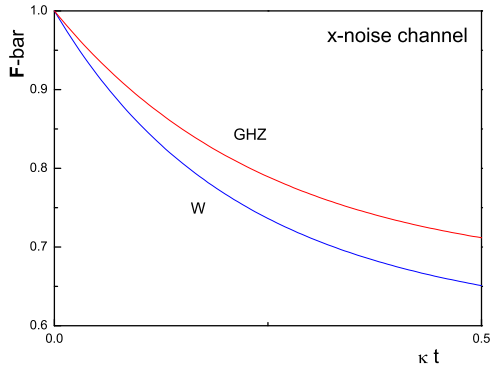


Fig. 4(a)

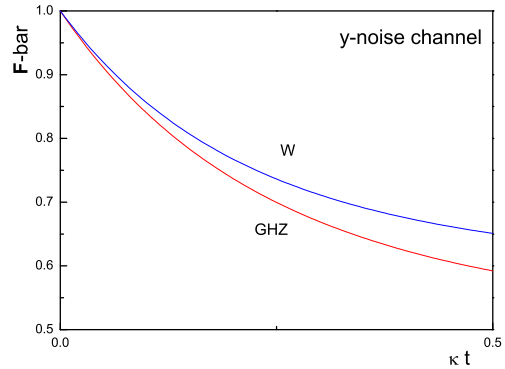


Fig. 4(b)

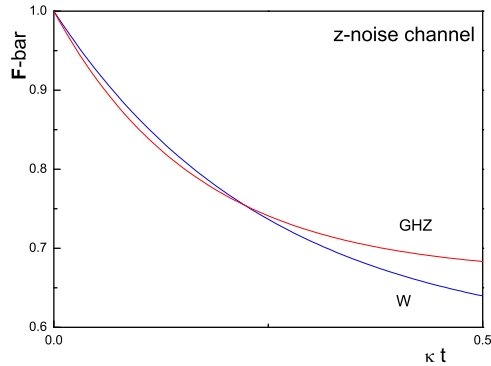


Fig. 4(c)

FIG. 4: The plot of  $\kappa t$ -dependence of  $\bar{F}$  for  $(L_{2,x}, L_{3,x}, L_{4,x})$  (Fig. 4a),  $(L_{2,y}, L_{3,y}, L_{4,y})$  (Fig. 4b), and  $(L_{2,z}, L_{3,z}, L_{4,z})$  (Fig. 4c) noisy channels. Fig. 4a shows that  $\bar{F}$  for GHZ state is always larger than that for W state, which implies that GHZ state does lose less quantum information than W state in  $(L_{2,x}, L_{3,x}, L_{4,x})$  noisy channel. Fig. 4b shows, however, that the situation is completely reversed in  $(L_{2,y}, L_{3,y}, L_{4,y})$  noisy channel. In  $(L_{2,z}, L_{3,z}, L_{4,z})$  noisy channel Fig. 4c indicates that W state is more robust when  $\kappa t < 0.223$  while GHZ state becomes more robust when  $\kappa t > 0.223$ .

this noisy channel. However, the situation is changed in  $(L_{2,y}, L_{3,y}, L_{4,y})$  noisy channel. In this case  $\bar{F}$  for  $|\psi_W\rangle$  is always larger than that for  $|\psi_{GHZ}\rangle$ . This means that  $|\psi_W\rangle$  is more robust than  $|\psi_{GHZ}\rangle$  in this noisy channel. In  $(L_{2,z}, L_{3,z}, L_{4,z})$  noisy channel the situation is more delicate. In this channel  $\bar{F}$  for  $|\psi_W\rangle$  is larger than that for  $|\psi_{GHZ}\rangle$  when  $\kappa t \leq 0.223$ . If, however,  $\kappa t \geq 0.223$ ,  $\bar{F}$  for  $|\psi_{GHZ}\rangle$  becomes larger than that for  $|\psi_W\rangle$ . Summing over all those phenomena seems to make same  $\bar{F}$  for  $|\psi_{GHZ}\rangle$  and  $|\psi_W\rangle$  in the isotropic channel.

FIG. 5: The plot of  $(\theta, \phi)$ -dependence of  $F(\theta, \phi)$  for  $(L_{2,x}, L_{3,x}, L_{4,x})$  (Fig. 5a),  $(L_{2,y}, L_{3,y}, L_{4,y})$  (Fig. 5b),  $(L_{2,z}, L_{3,z}, L_{4,z})$  (Fig. 5c), and isotropic (Fig. 5d) noisy channels. The transparent and opaque surfaces correspond to GHZ and W states respectively. All figures are consistent with  $\bar{F}$  given in Table I.

Another interesting point in Table I is the fact that  $\bar{F}$  for GHZ state decays to  $2/3$  in  $(L_{2,x}, L_{3,x}, L_{4,x})$  and  $(L_{2,z}, L_{3,z}, L_{4,z})$  noisy channels. The number  $\bar{F} = 2/3$  corresponds to the average fidelity obtained only by the classical communication[13]. However, in  $(L_{2,y}, L_{3,y}, L_{4,y})$  noisy channel  $\bar{F}$  for GHZ state decays to  $1/2$ , which corresponds to no-communication between Alice and Bob. When quantum channel is subject to noise in one direction, the average fidelity for W state always decays to  $7/12$ , which is slightly smaller than  $2/3$ . In isotropic noisy channel  $\bar{F}$  for both GHZ and W states decays to  $1/2$  when  $\kappa t \rightarrow \infty$  like two-qubit EPR quantum channel[12].

Fig. 5 is plot of  $\theta$ - and  $\phi$ -dependence of  $F(\theta, \phi)$  for  $(L_{2,x}, L_{3,x}, L_{4,x})$  (Fig. 5a),  $(L_{2,y}, L_{3,y}, L_{4,y})$  (Fig. 5b),  $(L_{2,z}, L_{3,z}, L_{4,z})$  (Fig. 5c) and isotropic (Fig. 5d) noisy channels when  $\kappa t$  is fixed to 0.5. The transparent and opaque surfaces correspond to GHZ and W states respectively. Fig. 5a indicates that in  $(L_{2,x}, L_{3,x}, L_{4,x})$  noisy channel  $F(\theta, \phi)$  for GHZ state is larger than that for W state in entire range of  $\theta$  and  $\phi$ . Fig. 5b shows that in  $(L_{2,y}, L_{3,y}, L_{4,y})$  noisy channel  $F(\theta, \phi)$  for W state is larger in almost range of  $\theta$  and  $\phi$  except small boundary region. This is consistent with the fact that  $\bar{F}$  for W state is larger than that for GHZ state in this noisy channel. Fig. 5c and Fig. 5d shows that in  $(L_{2,z}, L_{3,z}, L_{4,z})$  and isotropic noisy channels  $F(\theta, \phi)$  for GHZ state is generally larger than that for W state in small  $\theta$  region (approximately  $0 \leq \theta < 1$ ) and large  $\theta$  region (approximately  $2 < \theta \leq \pi$ ) while in the middle  $\theta$  region (approximately  $1 < \theta < 2$ )  $F(\theta, \phi)$  for W state is larger.

## V. CONCLUSION

In this paper we consider the quantum teleportation with GHZ and W states respectively, when the noisy channels make the quantum channels to be mixed states. The issue of robustness between GHZ and W, i.e. which state does lose less quantum information, in



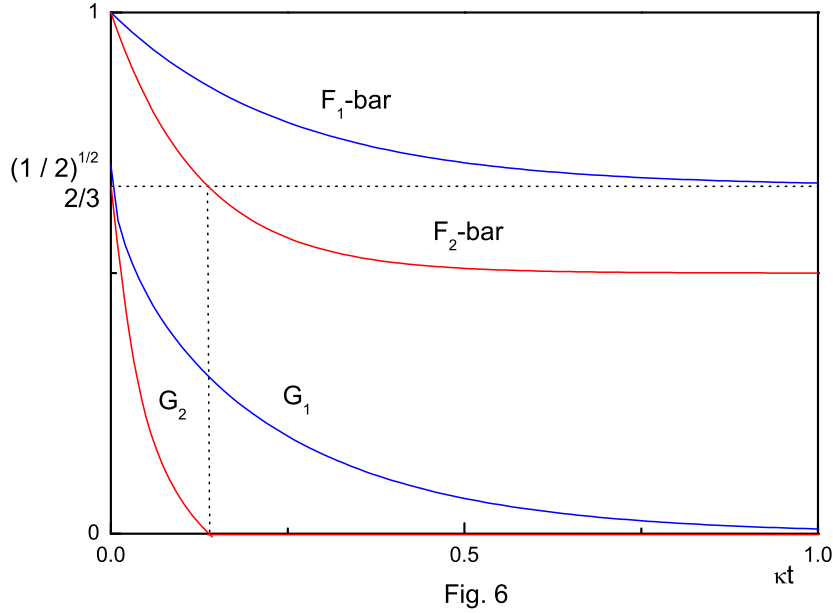


FIG. 6: Conjecture of Relation between  $\bar{F}$  and mixed states Groverian measure

the noisy channels is completely dependent on the type of noisy. If, for example, the noisy channel is  $(L_{2,x}, L_{3,x}, L_{4,x})$ -type, GHZ state is always robust compared to W state while the reverse situation occurs in  $(L_{2,y}, L_{3,y}, L_{4,y})$  noisy channel. In  $(L_{2,z}, L_{3,z}, L_{4,z})$  noisy channel W state does lose less information than GHZ state when  $\kappa t$  is comparatively small. If, however,  $\kappa t \geq 0.223$ , GHZ state becomes more robust in this noisy channel.

It is of interest to extend our papers to examine the fidelity measures  $F(\theta, \phi)$  and  $\bar{F}$  when other types of noisy channels such as amplitude damping or depolarizing channels are introduced. It is also equally interest to examine the same noisy channels in other places such as noisy channels during Bell's measurement or the unitary operation.

The most important point we would like to explore in the future is to understand the physical reason why and how the robustness of GHZ and W states is dependent on the noisy-types. In our opinion the most nice approach to understand the physical reason is to investigate the entanglement of the mixed states  $\varepsilon(\rho_{GHZ})$  and  $\varepsilon(\rho_W)$ . For example, let us consider the quantum teleportation through the noisy channels with EPR state for brevity, which is fully discussed in Ref.[12]. In this case when the quantum channel is subject to

$(L_{2,x}, L_{3,x})$ ,  $(L_{2,y}, L_{3,y})$  or  $(L_{2,z}, L_{3,z})$  noisy channels, the average fidelity  $\bar{F}$  is always

$$\bar{F}_1 = \frac{2}{3} + \frac{1}{3}e^{-4\kappa t}, \quad (5.1)$$

while the isotropic noisy channel gives

$$\bar{F}_2 = \frac{1}{2} + \frac{1}{2}e^{-8\kappa t}. \quad (5.2)$$

Then we think that an appropriate entanglement measure should have following properties. The measure for the mixed state  $\varepsilon_1(\rho)$  generated by  $(L_{2,x}, L_{3,x})$ ,  $(L_{2,y}, L_{3,y})$  and  $(L_{2,z}, L_{3,z})$  noisy channels should decay to zero at  $\kappa t \rightarrow \infty$  because  $\bar{F} = 2/3$  implies that the mixed states do not play any role as quantum channels. By same reason the measure for the mixed state  $\varepsilon_2(\rho)$  generated by the isotropic noisy channel should vanish at  $\kappa t \geq (1/8) \ln 3$ .

If we take a Groverian entanglement measure  $G(\rho)$ [9, 14] as an entanglement measure, there is another constraint  $G(\rho) = 1/\sqrt{2}$  at  $\kappa = 0$  because the Groverian measure for the pure EPR state is  $1/\sqrt{2}$ . As a result, we can conjecture that the Groverian measure  $G_1$  and  $G_2$  for  $\varepsilon_1(\rho)$  and  $\varepsilon_2(\rho)$  may exhibit as Fig. 6. We would like to show whether or not our conjecture is correct. In addition we would like to extend our conjecture to the quantum teleportation through noisy channels with GHZ and W states discussed in this paper.

**Acknowledgement:** This work was supported by the Kyungnam University Research Fund, 2006.

- 
- [1] M. A. Nielsen and I. L. Chuang, *Quantum Computation and Quantum Information* (Cambridge University Press, Cambridge, England, 2000).
  - [2] C. H. Bennett, G. Brassard, C. Crépeau, R. Jozsa, A. Peres and W. K. Wootters, *Teleporting an Unknown Quantum State via Dual Classical and Einstein-Podolsky-Rosen Channels*, Phys. Rev. Lett. **70** (1993) 1895.
  - [3] D. M. Greenberger, M. Horne, and A. Zeilinger, *Bell's Theorem, Quantum Theory, and Conceptions of the Universe*, edited by M. Kafatos (Kluwer, Dordrecht, 1989) p 69.
  - [4] W. Dür, G. Vidal, and J. I. Cirac, *Three qubits can be entangled in two inequivalent ways*, Phys. Rev. **A62** (2000) 062314 [quant-ph/0005115].
  - [5] A. Karlsson and M. Bourennane, *Quantum teleportation using three-particle entanglement*, Phys. Rev. **A58** (1998) 4394.

- [6] W. K. Wootters and W. H. Zurek, *A single quantum cannot be cloned*, Nature, **299** (1982) 802.
- [7] P. Agrawal and A. Pati, *Perfect teleportation and superdense coding with  $W$  states*, Phys. Rev. **A74** (2006) 062320 [quant-ph/0610001].
- [8] L. Tamaryan, D. K. Park, and S. Tamaryan, *Analytic Expression for Geometric Measure of Three Qubit States*, arXiv:0710.0571 [quant-ph].
- [9] O. Biham, M. A. Nielsen and T. J. Osborne, *Entanglement monotone derived from Grover's algorithm*, Phys. Rev. **A65** (2002) 062312 [quant-ph/0112097].
- [10] E. Jung, M. R. Hwang, D. K. Park, J. W. Son and S. Tamaryan, *Perfect Quantum Teleportation and Superdense coding with  $P_{max} = 1/2$  states*, arXiv:0711.3520 [quant-ph].
- [11] G. Lindbald, *On the generators of quantum dynamical semigroups*, Commun. Math. Phys. **48** (1976) 199.
- [12] S. Oh, S. Lee and H. Lee, *Fidelity of quantum teleportation through noisy channels*, Phys. Rev. **A66** (2002) 022316 [quant-ph/0206173].
- [13] S. Massar and S. Popescu, *Optimal Extraction of Information from Finite Quantum Ensembles*, Phys. Rev. Lett. **74** (1994) 1259.
- [14] D. Shapira, Y. Shimoni and O. Biham, *Groverian measure of entanglement for mixed states*, Phys. Rev. **A73** (2006) 044301 [quant-ph/0508108].