

Wavefunction Preparation using a Quantum Computer

Alexei Kitaev and William A. Webb
California Institute of Technology, Pasadena, CA, 91125-3600, USA

In this paper we describe a set of algorithms for preparing certain quantum states (representing continuous functions) on qubit ensembles. This research is part of a broader effort to develop techniques for digital simulation on quantum computers. We present an algorithm that prepares an ensemble of qubits into a wavefunction corresponding to a multidimensional Gaussian. This algorithm uses a very simple subroutine to prepare a set of independent one-dimensional Gaussian states and then employs a reversible transformation to produce an arbitrary Gaussian. These Gaussian states have applications in multidimensional resampling, a technique that allows for simulation of wavepacket stretching and squeezing using a fixed grid.

INTRODUCTION

Quantum computing has undergone explosive growth since the development of Shor's factoring algorithm in 1994. Shor's algorithms for factoring and discrete logarithms [1], as well as Grover's quantum search algorithm [2] and algorithms for quantum simulation, promise substantial speed-up relative to analogous classical algorithms [3]. Such algorithms, if implemented, will likely have a dramatic impact on many areas of science, technology, and industry in applications such as nanoscale simulation/design, computer processor design, logistics, quantitative finance, bioinformatics, etc. The significance of known quantum algorithms is thus a powerful motivation to find new ones.

Many known algorithms rely on ingenious methods, such as the Quantum Fourier Transform [1], to prepare states on ensembles of qubits. Consequently, it seems likely that new state preparation methods will aid the discovery of new algorithms. Thus, our goal in this paper is to help fill the state preparation toolbox. In anticipation of digital simulation on quantum computers and the consequent need for representing real-valued functions on a quantum machine, we present a set of methods for preparing states such that the coefficients of each basis vector are a Gaussian function of the real representation of that vector's binary representation.

Quantum Computing

Just as classical computation is based on the ability to store and manipulate information on collections of two-state "bits," quantum computation relies on ensembles of two-state quantum systems called qubits. Unlike the classical bit, which occupies one of two mutually exclusive states, the qubit exists in a superposition of two states. For our purposes, the most general model of the qubit is

$$|\psi\rangle = \alpha |0\rangle + \beta |1\rangle, \quad (1)$$

where α and β are complex numbers such that $|\alpha|^2 + |\beta|^2 = 1$ and $|0\rangle = [1, 0]^T$, $|1\rangle = [0, 1]^T$ are orthonormal basis vectors ($[a, b]^T$ signifying the transpose of $[a, b]$, as quantum states are conventionally thought of as column vectors) in the 2-dimensional state space of the qubit. Thus, the state of a qubit is a unit vector in a 2-dimensional complex vector space¹. The physical meaning of α and β is that any given measurement of the qubit will show the system to be in state $|0\rangle$ with probability $|\alpha|^2$ and in state $|1\rangle$ with probability $|\beta|^2$.

The simplest nontrivial system of qubits is an ensemble of two qubits, which is represented as

$$|\phi\rangle = c_{00} |00\rangle + c_{01} |01\rangle + c_{10} |10\rangle + c_{11} |11\rangle. \quad (2)$$

¹ For clarity, when dealing with state spaces, we will exclusively use Dirac notation ($|\rangle$) and square brackets ($[\]$). When speaking of any other linear space, we will use normal parentheses and arrow notation (\vec{x}).

with $|c_{00}|^2 + |c_{01}|^2 + |c_{10}|^2 + |c_{11}|^2 = 1$. The vectors

$$|00\rangle = |0\rangle \otimes |0\rangle = [1, 0, 0, 0]^T \quad (3)$$

$$|01\rangle = |0\rangle \otimes |1\rangle = [0, 1, 0, 0]^T \quad (4)$$

$$|10\rangle = |1\rangle \otimes |0\rangle = [0, 0, 1, 0]^T \quad (5)$$

$$|11\rangle = |1\rangle \otimes |1\rangle = [0, 0, 0, 1]^T \quad (6)$$

form the standard orthonormal basis for the 4-dimensional state space. This example illustrates how the basis for a qubit ensemble is built up from the basis vectors of individual qubits.

When the qubits are not entangled with each other, the representation is

$$|\phi\rangle = |\psi_1\rangle \otimes |\psi_2\rangle \quad (7)$$

$$= (\alpha_1 |0\rangle + \beta_1 |1\rangle) \otimes (\alpha_2 |0\rangle + \beta_2 |1\rangle) \quad (8)$$

$$= \alpha_1 \alpha_2 |00\rangle + \alpha_1 \beta_2 |01\rangle + \alpha_2 \beta_1 |10\rangle + \beta_1 \beta_2 |11\rangle. \quad (9)$$

Algebra shows that the sum of the squares of the coefficients above is 1. Note that the tensor product (\otimes) of the basis vector of one space with the basis vector of another is a basis vector for the cross product of the spaces. Since the cross product of any two basis vectors is a basis vector for the new space, it is natural that the product of a space of dimension M and one of dimension J is a space of dimension MJ .

More generally, the state of an ensemble of N qubits can be described as

$$|\phi\rangle = \sum_{i=0}^{2^N-1} a_i |i\rangle, \quad (10)$$

where as above, a_i are complex numbers such that $\sum_{i=0}^{2^N-1} |a_i|^2 = 1$ and we think of the integer i in $|i\rangle$ as being written in binary representation. We can thus think of the state of an N -qubit ensemble as being a unit vector in 2^N -dimensional linear space whose basis is the set of vectors $|i\rangle$ for $0 \leq i \leq 2^N - 1$.

A quantum computation is performed by taking some initial state (a unit vector in the state space) and subjecting it to a series of unitary transformations/operators (we may speak of transformations, operators, gates and matrices interchangeably). In this context, these operators are linear transformations from a state space to itself that preserve vector length, mapping a unit vector to some other unit vector in the same space. Thus, unitary operators are unitary matrices, which are exactly those invertible matrices which have their own conjugate transposes as inverses, i.e. those U such that $U^*U = UU^* = I$. An interesting consequence of this fact is that any quantum computation is reversible: at any point in the computation, any earlier state may be recovered by applying the appropriate inverse operators.

While it is in theory possible to perform a unitary transformation on any number of qubits in the array, operating on many qubits at a time may be impractical. Thus, it is generally assumed that no more than a small, fixed number of qubits are operated on in any one step. This specification can be made without reducing the generality of the model, as the ability to perform arbitrary unitary gates on one and two qubits suffices to realize any unitary operator [4].

Some useful examples of simple, single qubit gates include the X gate, also known as the quantum NOT gate, which operates as

$$X |\psi\rangle = \begin{bmatrix} 0 & 1 \\ 1 & 0 \end{bmatrix} \begin{bmatrix} \alpha \\ \beta \end{bmatrix} = \begin{bmatrix} \beta \\ \alpha \end{bmatrix} \quad (11)$$

and the Z gate, which acts as

$$Z |\psi\rangle = \begin{bmatrix} 1 & 0 \\ 0 & -1 \end{bmatrix} \begin{bmatrix} \alpha \\ \beta \end{bmatrix} = \begin{bmatrix} \alpha \\ -\beta \end{bmatrix}. \quad (12)$$

Recall that

$$|\psi\rangle = \begin{bmatrix} \alpha \\ \beta \end{bmatrix} = \alpha \begin{bmatrix} 1 \\ 0 \end{bmatrix} + \beta \begin{bmatrix} 0 \\ 1 \end{bmatrix}. \quad (13)$$

There are many other such gates, as well as gates that can act on more than one qubit. In fact, any unitary matrix is a legitimate quantum operator.

For our purposes, we can think of a quantum computer as an array of qubits along with a mechanism for applying unitary transformations to some fixed number of the qubits at a time. For simplicity, we divide the array into a sufficiently large supplementary array of some unspecified size for auxiliary computations, a data register to store parameters defining the state we wish to prepare, and an N-qubit register where the result will be stored. It is assumed that the supplementary memory and the N-bit register are each initialized to $|00\dots 0\rangle$.

Quantum algorithms are often described using the quantum circuit formalism. We use this formalism later in the paper, but a description of it here is not practical. We refer interested readers not already familiar with quantum circuits to Chapter 4 of Nielsen and Chuang [3].

Reversible Computations and Uncomputation

It is currently believed that quantum computing is the most general physical model of computation, encompassing classical computation. However, this is apparently contradicted by the fact that all quantum computations are invertible/reversible, whereas many classical computations are irreversible. The apparent contradiction is resolved by the work of Bennett, who proved that any computation can be redesigned so as to be reversible [5] with modest increases in time and space complexity. Specifically, if the computation is designed so as to include the original input with the output, the computation can be reversed. Summarizing the most important facts, Shor [1] states “A deterministic computation is performable on a quantum computer if and only if it is reversible. From results on reversible computation ([5], [6]), we can compute any polynomial time function $f(a)$ as long as we keep the input, a , on the machine. To erase a and replace it with $f(a)$ we need in addition that f is one-to-one and that a is computable in polynomial time from $f(a)$; i.e., that both f and f^{-1} are polynomial-time computable.”

This is of great utility in designing quantum algorithms, as it allows us to perform any efficient classical computation efficiently on a quantum computer. Specifically, it allows us to do digital or matrix arithmetic with rounding (both usually irreversible operations), provided all relevant parameters are stored in memory. For our purposes, reversibility is maintained by dedicating a section of memory to input parameters and leaving this section unchanged throughout the computation. Thus, we can assume the ability to efficiently perform any standard (efficient) classical computation and neglect implementation details.

Another consequence of the reversibility of quantum computations is that it is impossible to erase an unknown quantum state, that is, there is no general erase function on a quantum computer. This could lead to problems for any practical machine, as the inability to erase necessitates huge amounts of supplementary memory. However, what reversibility taketh, reversibility also giveth back. While data in supplementary memory cannot be erased in the normal sense, it can be effectively erased by being “uncomputed.” That is, after the results of the computation are transferred to another part of memory using controlled XOR gates, the supplementary memory can be taken back to its initial “blank” state by running the computation backwards. By running backwards, we mean applying the inverse of the most recent unitary transformation, followed by the inverse or the one before, and so on, until applying the inverse or the first unitary, at which time the uncomputation is complete.

DIGITAL REPRESENTATION OF CONTINUOUS FUNCTIONS

The quantum states discussed in the introduction are discrete and thus easily represented on quantum machines. However, there are wavefunctions in nature that are continuous (e.g., $\psi(x)$ where x is a real variable, designating a particle coordinate or a field strength) and thus must be represented approximately if we are to study them with quantum computers. By approximately, we mean that the real coordinate is represented $x \approx \tilde{x} = j/2^k$ so that $2^k x \approx j$ for integers j, k . To simplify the discussion, *we always approximate real numbers with integers*. This straightforward approach has a downside: if each x is mapped to the integer $\tilde{x} = \lfloor x \rfloor$ and then to the basis vector $|\tilde{x}\rangle$, then close-by real numbers may correspond to orthogonal quantum states. A better solution would be to represent a real number by a superposition of several nearby integers (say, with Gaussian weights). However, we sidestep this problem by not dealing with individual real numbers as quantum objects, but rather, working with their superposition described by a continuous wavefunction that does not change much between adjacent integers.

In some applications (including those that resemble classical numerical analysis, such as simulating the strong nuclear force) it is desirable to apply continuous transformations of the real coordinate to wavefunctions. It is not known how to do this directly, but a technique called resampling (which uses Gaussian superpositions) allows certain types of continuous transformations of quantum states. This will be discussed in more detail below.

PREPARING A GAUSSIAN IN ONE DIMENSION

The states we wish to prepare are discrete approximations to continuous multidimensional Gaussian functions. In this section we examine these functions and the approximate forms of interest. In one dimension, the Gaussian is just the normal distribution familiar from statistics and has form $G(x, \sigma, \mu) = e^{-\frac{(x-\mu)^2}{2\sigma^2}}$.

If we treat the function as continuous, it has form

$$\psi_{\sigma,\mu}(x) = \frac{1}{\sqrt{\sigma\sqrt{\pi}}} e^{-\frac{(x-\mu)^2}{2\sigma^2}} \quad (14)$$

so that

$$\psi_{\sigma,\mu}^2(x) = \frac{1}{\sigma\sqrt{\pi}} e^{-\frac{(x-\mu)^2}{\sigma^2}} \quad (15)$$

and

$$\int_{-\infty}^{\infty} \psi_{\sigma,\mu}^2(x) dx = 1 \quad (16)$$

If we consider it to be a function of an integer value, we have

$$\tilde{\psi}_{\sigma,\mu}(i) = \frac{1}{\sqrt{f(\sigma, \mu)}} e^{-\frac{(i-\mu)^2}{2\sigma^2}} \quad (17)$$

where the function f is related to the third Jacobi theta function (θ_3) and is defined as

$$f(\sigma, \mu) = \sum_{n=-\infty}^{\infty} e^{-\frac{(n-\mu)^2}{\sigma^2}} \quad (18)$$

so that

$$\sum_{i=-\infty}^{\infty} \tilde{\psi}_{\sigma,\mu}^2(i) = 1. \quad (19)$$

If $\sigma \gg 1$, then $f(\sigma, \mu)$ is approximately equal to $\int_{-\infty}^{\infty} e^{-\frac{(x-\mu)^2}{\sigma^2}} dx = \sigma\sqrt{\pi}$. We now define the function

$$\xi_{\sigma,\mu,k}^2(i) = \sum_{j=-\infty}^{\infty} \tilde{\psi}_{\sigma,\mu}^2(i + j \cdot 2^k) \quad (20)$$

Note that this function is periodic with period 2^k . This allows us to define the quantum state

$$|\xi_{\sigma,\mu,N}\rangle = \sum_{i=0}^{2^N-1} \xi_{\sigma,\mu,N}(i) |i\rangle \quad (21)$$

For $\mu, 2^N - \mu \gg \sigma \gg 1$, this state is very close to a Gaussian with mean μ and standard deviation σ . A recursive description of the state,

$$|\xi_{\sigma,\mu,N}\rangle = |\xi_{\frac{\sigma}{2}, \frac{\mu}{2}, N-1}\rangle \otimes \cos \alpha |0\rangle + |\xi_{\frac{\sigma}{2}, \frac{\mu-1}{2}, N-1}\rangle \otimes \sin \alpha |1\rangle, \quad (22)$$

where

$$\alpha = \cos^{-1} \sqrt{f(\frac{\sigma}{2}, \frac{\mu}{2}) / f(\sigma, \mu)}, \quad (23)$$

leads almost immediately to an algorithm for preparing it. Note that the sum represented by $f(\sigma, \mu)$ converges, so we can approximate it with a finite number of terms and keep some number of digits of the answer. However, the convergence is poor when σ is large. When σ is small (which is the case at a late stage of our recursive algorithm), a few terms of the sum will dominate, and only these need be calculated and stored. For large σ we use $f(\sigma, \mu) = \sigma\sqrt{\pi} \exp(-\frac{\mu^2}{\sigma^2}) f(\frac{1}{\pi\sigma}, -i\frac{\mu}{\sigma^2\pi})$ to avoid having to sum an exponentially large number of terms.

The algorithm (which was adapted from a very similar state preparation algorithm [4]) recursively calls the following subroutine, using the input data $(\sigma_0, \mu_0) = (\sigma, \mu)$ and some number of supplementary qubits. Note that the N qubits are indexed 0 to $N - 1$, where the 0-th qubit corresponds to the rightmost qubit in a binary representation.

1. (a) Calculate and store α (see eqn. (23)) and $\alpha/2\pi$ in a k -bit binary representation on supplementary qubits.
- (b) Apply the rotation operator $R(\alpha)$ to the 0-th qubit

$$R(\alpha) = \begin{bmatrix} \cos \alpha & -\sin \alpha \\ \sin \alpha & \cos \alpha \end{bmatrix} \quad (24)$$

using the bits of $\alpha/2\pi$ as described below.

- (c) Uncompute α and $\alpha/2\pi$.
2. Compute (σ_1, μ_1) , where $\sigma_1 = \sigma_0/2$ and $\mu_1 = \mu_0/2$ if the previously rotated qubit is $|0\rangle$ and $\mu_1 = (\mu_0 - 1)/2$ if it is $|1\rangle$. Note that all pairs (σ_i, μ_i) are stored in supplementary memory until a cleanup phase, see below.
3. On the remaining $N - 1$ qubits prepare state $|\xi_{\sigma_1, \mu_1, N-1}\rangle$.

Note that for the last (($N-1$)th) qubit, we proceed only through step 1 (c), as after this qubit is rotated we do not need another pair of parameters. After this last qubit is rotated, right before termination, a last series of steps is performed in which all stored pairs (σ_i, μ_i) are cleared. To do this, the machine erases $(\sigma_{N-1}, \mu_{N-1})$ by recalculating it using $(\sigma_{N-2}, \mu_{N-2})$ and the last output qubit, performing a second controlled XOR to the region where $(\sigma_{N-1}, \mu_{N-1})$ is stored, thus clearing $(\sigma_{N-1}, \mu_{N-1})$ from memory. The process is repeated on $(\sigma_{N-2}, \mu_{N-2})$, $(\sigma_{N-3}, \mu_{N-3})$ and so on until the supplementary memory is cleared.

Since quantum recursion can be counterintuitive and difficult to describe verbally, this algorithm is perhaps easier to understand when presented in circuit form. The figure shows the gist of the algorithm as well as some of the workings of the supplementary qubits. Note that the double line across the top denotes the classical part of the computer, which in this scheme functions only to transfer the specifications of the Gaussian to the quantum part at the end of the process to clear memory. The single lines with forward slashes (/) overlying their left ends represent multiple qubits in the supplementary memory. Note that each such line represents the same array at different stages of the computation. We deviate slightly from conventional notation by introducing the downward arrow conditional, which represents a generalized form of controlled operation.

The downward arrow terminating on the XOR symbol on the supplementary array directly above the i th qubit denotes that the previously used pair $(\sigma_{i-1}, \mu_{i-1})$ and the $(i-1)$ th qubit (which was just rotated) are used to control the calculation of (σ_i, μ_i) and α_i . Note that classically, α_i is a rotation angle equal to $\sqrt{f(\sigma_{i-1}/2, \mu_{i-1}/2)/f(\sigma_{i-1}, \mu_{i-1})}$ if the $(i-1)$ -th qubit is $|0\rangle$ and $\sqrt{f(\sigma_{i-1}/2, (\mu_{i-1} - 1)/2)/f(\sigma_{i-1}, \mu_{i-1})}$ if the $(i-1)$ -th qubit is $|1\rangle$. However, since the previous qubit is always in a superposition state, α_i is always entangled with the previous qubits.

The downward arrow terminating on the i -th rotation operator box indicates that the rotation angle is specified by the controlling qubits, specifically, the qubits in the supplementary containing α_i (which is shown directly to the right of the downward arrow). This rotation is actually a series of standardized rotations, each controlled by a single qubit of the register storing α_i , as described below.

Due to finite computational resources, the rotation operator must be implemented approximately. Note that since α is a rotation angle between 0 and 2π , so $0 \leq \alpha/2\pi \leq 1$ and we can approximate in k -digits of binary notation that $\alpha/2\pi \approx \sum_{i=1}^k \frac{a_i}{2^i}$ so that $\alpha \approx \sum_{i=1}^k \pi \frac{a_i}{2^{i-1}}$. Note that the a_i are either 1 or 0, as this is a binary representation. The rotation operator is realized as a sequence of at most k standard rotations as $R(\alpha) \approx R(\pi/2^{k-1})^{a_k} \dots R(\pi/2)^{a_2} R(\pi)^{a_1}$. The precision of this operation on the entire array (assuming the standard rotations are exact) is thus $\delta = O(N2^{-k})$ and the size of the circuit required to execute the algorithm is polynomial in $n + \log(1/\delta)$.

PREPARING A GAUSSIAN IN MULTIPLE DIMENSIONS

In S dimensions, the general Gaussian function is $G(\vec{x}) = Ce^{-\vec{x}^T A \vec{x}/2}$, where C is a constant, A is a real symmetric positive definite matrix ($A^T = A$, and $\vec{x}^T A \vec{x} \geq 0 \forall \vec{x} \neq 0$), and \vec{x} is vector with S components, $\vec{x} = \vec{x}' - \vec{\mu}$ where \vec{x}' denotes position in S space and $\vec{\mu}$ is a vector denoting the mean of the distribution.

We assume that the register (call it R) contains Sk qubits, where k is some integer. Thus, we can break the array into S subarrays (index them R_i for $1 \leq i \leq S$) each containing k qubits, and write $R = R_1 R_2 \dots R_S$, with multiplication representing array concatenation. The state space corresponding to R is of dimension 2^{Sk} . The wavefunction we wish to prepare has form

$$|\psi\rangle = C \sum_{\vec{n} \in B^S} e^{-\vec{n}^T A \vec{n}/2} |\vec{n}\rangle \quad (25)$$

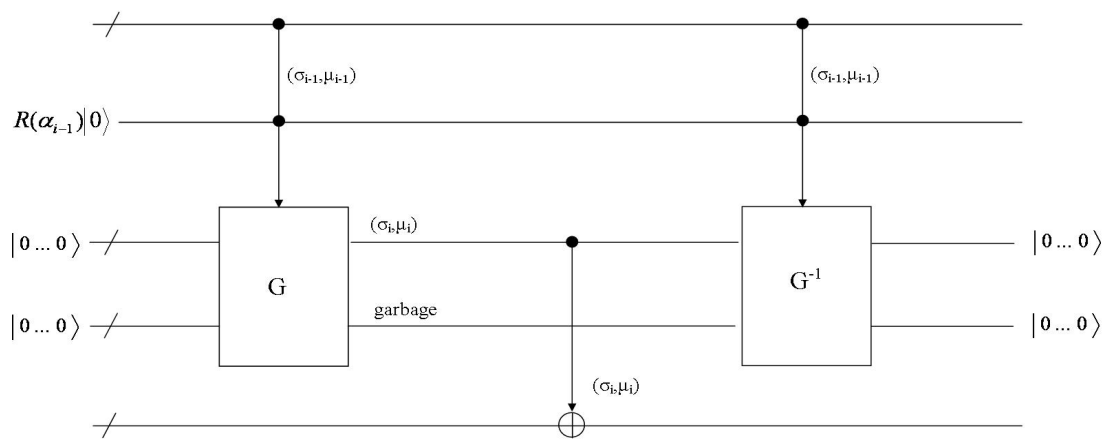
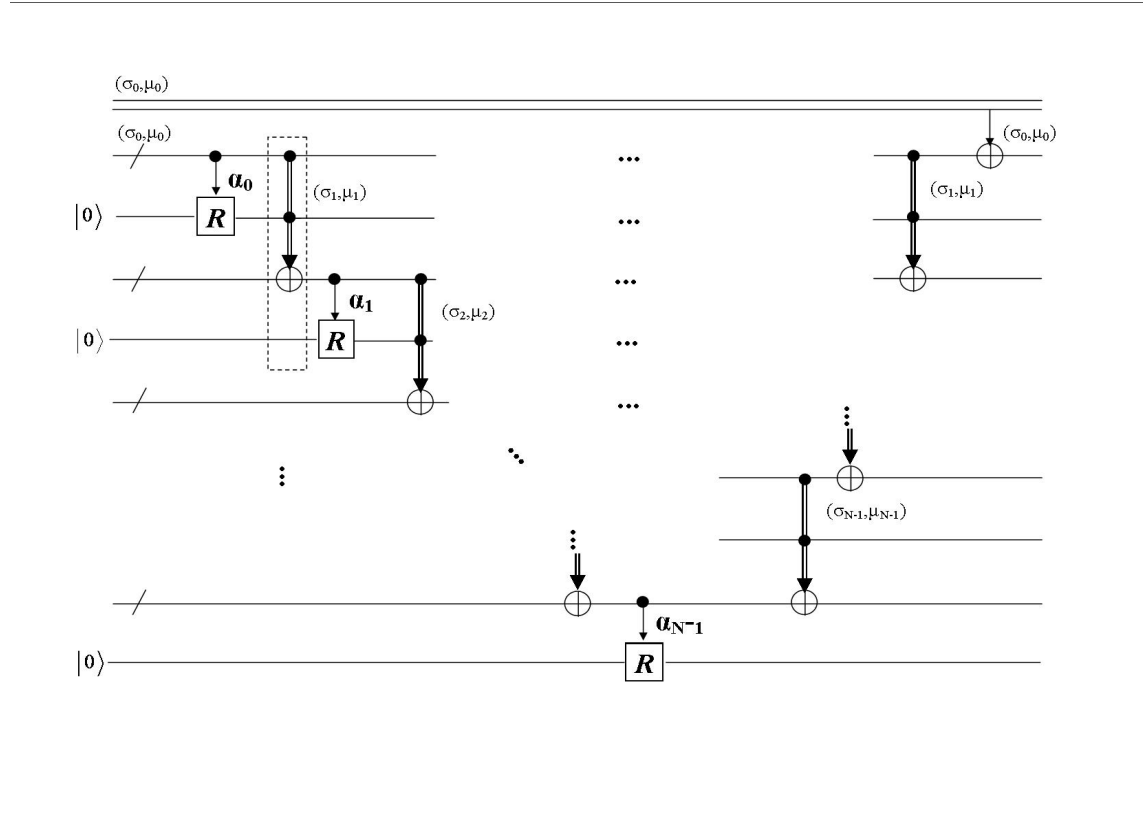


FIG. 1: Schematic circuit for preparing a Gaussian wavefunction. The top part of the figure shows the general scheme of the recursion. The lower figure is a more detailed view of what occurs in a representative block of the process like the boxed section of the circuit above. The top and bottom multi-qubit wires represent different regions of the semipermanent supplementary memory where all pairs (σ_i, μ_i) are stored until the end of computation. The multi-qubit wires feeding into the black box G are the “working” supplementary memory that is inverted and cleared in each step.

In this expressions $C^2 = \pi^{-S/2} \sqrt{\det A}$ and $\vec{n} \in B^S$, $B = [-2^{k-1}, \dots, 2^{k-1} - 1]$, where negative integers are represented using two's complement. In the quantum computer, $|n\rangle$ is the basis vector formed by concatenating all binary representations of the entries of \vec{n} . For example, if $n = 9$, in binary representation, $n = 1001$, so if we assume $k=2$, $\vec{n} = (10, 01)^T = (2, 1)^T$. For R_i , the basis state $|m\rangle$ corresponds to the integer m along the i th coordinate axis in S space. Thus, each subarray generates one coordinate axis of the space in question. Note that this space is not a state space in the system, rather, each integer point in the cube described corresponds to one dimension/basis vector of the system's state space. The reason for the distinction will be clear momentarily.

Our method of preparing the general S -dimensional Gaussian relies on a special case of the problem. Note that if the matrix A in $e^{-\vec{x}^T D \vec{x}/2} = C e^{-\vec{x}^T A \vec{x}/2}$ is diagonal (in which case, we call it D), then $G(\vec{x})$ factors into 1-dimensional Gaussians as $G(\vec{x}) = \prod_{i=1}^N \exp(-d_i x_i^2/2)$ where d_i is the i th diagonal element of D and x_i the i -th entry of \vec{x} .

Thus in this special case, the state to prepare becomes (with $\vec{n}=(n_1, \dots, n_S)$, where the n_i are k -digit binary integers)

$$|\psi\rangle = C \sum_{\vec{n} \in B^S} e^{-\vec{n}^T D \vec{n}/2} |\vec{n}\rangle = C \sum_{\vec{n} \in B^S} \prod_{i=1}^S \exp(-\frac{1}{2} d_i n_i^2) |\vec{n}\rangle = C \bigotimes_{i=1}^S \left(\sum_{n \in B} \exp(-\frac{1}{2} d_i n^2) |n\rangle \right) \quad (26)$$

This state is just a product of 1-dimensional Gaussians, which we have already shown how to prepare. We can prepare this state by preparing N simple Gaussians on k qubit subarrays. The overall normalization constant (here denoted by C) is accounted for by the normalization constants of the Gaussians on subarrays.

Some simple properties of linear algebra and a change of variables allow us to transform this easily prepared state into any arbitrary Gaussian. Any real symmetric positive definite matrix A can be decomposed as $A = (M^T)^{-1} D (M^{-1})$ for some D and M , where D is diagonal and M is upper triangular with 1's on the diagonal (in other words, a multidimensional shearing matrix). Thus, if we apply transformation $\vec{n} \rightarrow \vec{x} = M \vec{n} \Leftrightarrow \vec{n} = M^{-1} \vec{x}$, then

$$\exp(-\vec{n}^T D \vec{n}/2) = \exp\left(-\frac{\vec{x}^T (M^T)^{-1} D M^{-1} \vec{x}}{2}\right) = \exp\left(-\frac{\vec{x}^T A \vec{x}}{2}\right) \quad (27)$$

The matrix M can be decomposed as the product of shearing matrices with exactly one non-zero off-diagonal entry each. Note that M acts numerically on the basis vectors in a classically reversible fashion (provided relevant parameters are stored). It is not a unitary operator and is not applied directly to the state space of the system. Rather, it maps a vector \vec{n} to a vector \vec{x} (and the corresponding basis vector $|n\rangle$ to $|x\rangle$) as in the following example.

Let M be a square, 2 by 2 upper triangular matrix with 1's the diagonal and a real number α in the upper right entry and let $\vec{n} = (n_1, n_2)^T$. Then, we see that

$$M = \begin{pmatrix} 1 & \alpha \\ 0 & 1 \end{pmatrix}, \quad \begin{pmatrix} x_1 \\ x_2 \end{pmatrix} = M \vec{n} = \begin{pmatrix} 1 & \alpha \\ 0 & 1 \end{pmatrix} \begin{pmatrix} n_1 \\ n_2 \end{pmatrix} = \begin{pmatrix} n_1 + \alpha n_2 \\ n_2 \end{pmatrix} \approx \begin{pmatrix} n_1 + \lfloor \alpha n_2 \rfloor \\ n_2 \end{pmatrix} \quad (28)$$

$$\begin{pmatrix} n_1 \\ n_2 \end{pmatrix} = \begin{pmatrix} x_1 - \lfloor \alpha x_2 \rfloor \\ x_2 \end{pmatrix} \quad (29)$$

Thus, M can act on basis vectors numerically by matrix multiplication with rounding, which, provided the specifications for M are stored, is an efficiently reversible classical operation that can thus be carried out on a quantum computer. Applying M to a superposition of states results in a changes of variable of the kind described above, which turns our set of independent Gaussians into the general Gaussian,

$$C \sum_{\vec{n} \in B^S} e^{-\vec{n}^T D \vec{n}/2} |\vec{n}\rangle \rightarrow C \sum_{\vec{x} \in B^S} e^{-\vec{x}^T A \vec{x}/2} |\vec{x}\rangle. \quad (30)$$

Thus, we have an algorithm for preparing the general Gaussian function in N dimensions.

RESAMPLING

One application of the Gaussian states described above is multidimensional resampling. This is more clear after a description of resampling in one dimension. The idea of resampling is to stretch or contract a wavefunction with

respect to some function f (which must be smooth, nonzero, and 1 to 1 on $[0, 2^N - 1]$), mapping $x \mapsto f(x)$ so that $\psi(x) \mapsto \tilde{\psi}(y) = (f'(x))^{-1/2}\psi(x)$ where $x = f^{-1}(y)$. In the simplest case, $f(x) = \frac{x}{a}$, so that $x \mapsto \frac{x}{a}$ and $\psi(x) \mapsto \sqrt{a}\psi(ay)$. A naive procedure to carry this out would be a simple permutation of basis vectors. For $a \leq 1$ the transformation is a stretching, and it would seem as if simply permute basis vectors such that non-zero amplitudes are shifted to the right and separated so that if the original spacing between basis vectors with nonzero amplitudes is $\delta = 1$, then the new spacing is $1/\alpha$. However, it is not clear how to “fill in” the gaps in the wavefunction. If $a \geq 1$, the contraction can lead to ambiguity as for some $x \neq y$, $\lfloor \frac{x}{a} \rfloor = \lfloor \frac{y}{a} \rfloor$. A “permutation” might thus map two basis vectors to the same vector, so the naive procedure should be avoided.

However, such deformations are easily accomplished with resampling, provided that ψ is smooth ($\psi(x)$ and $\psi(x \pm 1)$ are very close for all x in the range of interest). This is most clearly described in one dimension. Assume we have two qubit ensembles, A and B, each containing N qubits. The basis states of ensemble A correspond to the x axis, those of ensemble B to the y axis. The desired original wavefunction ψ is prepared on ensemble A, while ensemble B is prepared in state $|0^N\rangle$. The state of the combined system is thus

$$|\eta_0\rangle = \sum_{x=0}^{2^N-1} \psi(x) |x, 0^N\rangle \quad (31)$$

If we want to perform a resampling with respect to $f(x) = \lfloor \frac{x}{a} \rfloor$, then we prepare the even superposition state

$$|\kappa_n\rangle = \frac{1}{\sqrt{2n}} \sum_{j=-n}^{n-1} |j\rangle \quad (32)$$

on ensemble B using an algorithm described in Problem 9.4 of [4]. We describe how parameter n is selected shortly. After this operation, the whole ensemble is in state

$$|\eta_1\rangle = \frac{1}{\sqrt{2n}} \sum_{x=0}^{2^N-1} \psi(x) \sum_{j=-n}^{n-1} |x, j\rangle \quad (33)$$

A simple reversible computation can efficiently transform this state into

$$|\eta_2\rangle = \frac{1}{\sqrt{2n}} \sum_{x=0}^{2^N-1} \psi(x) \sum_{j=-n}^{n-1} \left| x, \left\lfloor \frac{x}{a} \right\rfloor + j \right\rangle \quad (34)$$

Recall that we wish to prepare the state $\tilde{\psi}(y) = \sqrt{a}\psi(f(ay))$ on an N -qubit ensemble. Note that if we started with that wavefunction prepared on ensemble B with ensemble A initialized to $|0^N\rangle$, we could carry out a transformation analogous to that above to yield the state

$$|\tilde{\eta}_2\rangle = \frac{1}{\sqrt{2n}} \sum_{y=0}^{2^N-1} \psi(ay) \sum_{j=-an}^{an-1} \left| \lfloor ay \rfloor + j, y \right\rangle. \quad (35)$$

If we think of A and B as generating coordinate axes x and y , then wavefunctions can be visualized as sets of points in the xy plane, specifically, as points occupying the vertices of the infinite grid with integer spacing. In this scheme, $|\eta_2\rangle$ and $|\tilde{\eta}_2\rangle$ appear as bands of width $2n$ about the line $y = \frac{x}{a}$. The amplitudes of basis vectors in $|\eta_2\rangle$ and $|\tilde{\eta}_2\rangle$ agree on that line; the only difference is that the amplitudes in $|\eta_2\rangle$ are constant on vertical strips whereas the amplitudes in $|\tilde{\eta}_2\rangle$ are constant on horizontal strips. If n is much larger than the grid spacing but small enough relative to the grid size so that (given the smoothness of $\psi(x)$ and $\psi(y)$) the amplitudes in intersecting horizontal and vertical strips are close, then we have the approximate equality $|\eta_2\rangle \cong |\tilde{\eta}_2\rangle$. This means that by choosing N and n appropriately and preparing the state $|\eta_2\rangle$, it is virtually equivalent to having prepared the state $|\tilde{\eta}_2\rangle$. If we then apply (to the combined ensemble) the inverse of the computation we would have used to prepare $|\tilde{\eta}_2\rangle$, it is as if we prepared and then uncomputed $|\tilde{\eta}_2\rangle$, leaving the combined ensemble in (or rather, arbitrarily close to) the state such that the wavefunction on B is $\psi(y)$ and the wavefunction on A is $|0^N\rangle$. Thus if we can prepare $\psi(x)$ satisfying the necessary smoothness conditions, we can use resampling with supplementary qubits to transform the state to one arbitrarily close to $\tilde{\psi}(y)$.

This particular transformation takes advantage of the fact that uniform superpositions on an interval are invariant under stretching or contracting transformation. Multidimensional resampling requires a family of states that is

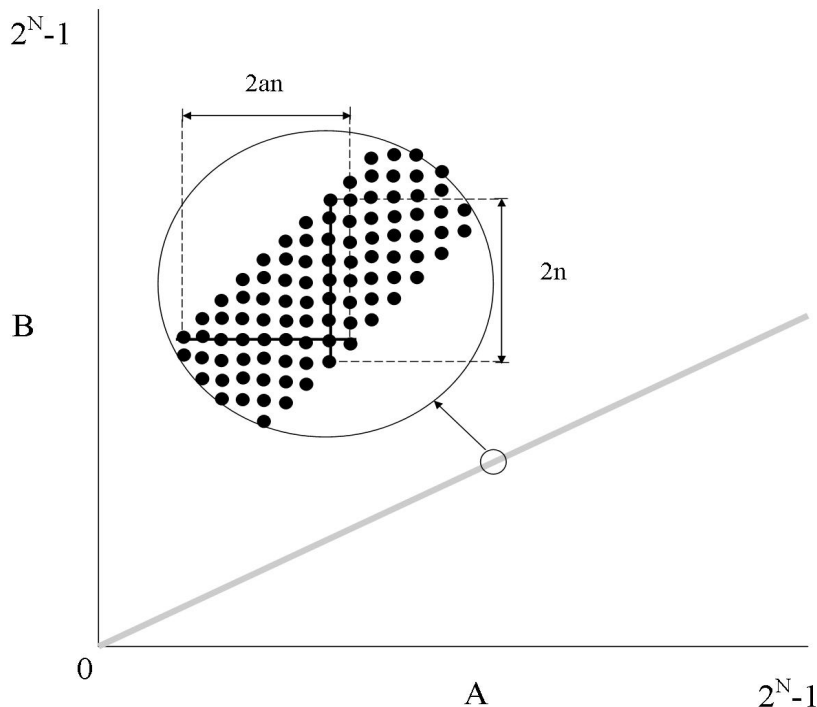


FIG. 2: Conceptual representation of states $|\tilde{\eta}_2\rangle$ and $|\eta_2\rangle$. The grey region (and the dotted region in the inset) represents the basis states of the combined ensemble AB that have non-zero amplitudes. In state $|\eta_2\rangle$ the amplitudes on vertical strips are equal, in state $|\tilde{\eta}_2\rangle$ amplitudes are constant on horizontal strips. If n is much larger than the spacing between basis vectors but much smaller than the size of the grid, the amplitudes of basis vectors in a vertical strip will be roughly equal to those of the basis vectors of any horizontal strip that intersects it. When this is the case, $|\tilde{\eta}_2\rangle \cong |\eta_2\rangle$ and resampling will work.

similarly invariant under a general linear transformation. Multidimensional Gaussian states satisfy this condition and it is possible to carry out multidimensional resampling with them.

We illustrate with a simple example. Note that in the procedure above, if we prepare on ensemble B the state $|\xi_{\sigma,\mu,N}\rangle$ with parameters σ and μ such that

$$|\xi_{\sigma,\mu,N}\rangle \cong \sum_{i=0}^{2^N-1} e^{-\frac{(i-\mu)^2}{2\sigma^2}} |i\rangle \cong |\tilde{\psi}_{\sigma,\mu}\rangle = \sum_{i=-\infty}^{\infty} e^{-\frac{(i-\mu)^2}{2\sigma^2}} |i\rangle \quad (36)$$

with $\mu \gg \sigma \gg 1$ and $\sigma \cong 2n$ instead of the even superposition state $|\kappa_n\rangle$, the procedure still works. Intuitively, we prepare a series of vertical, parallel Gaussian-weighted strips centered somewhere above the x axis and shift them up along the line $y = \frac{x}{a}$ so that each strip is centered at the line. The result is that the entire grid has non-zero amplitudes, but all amplitudes except those immediately about $y = \frac{x}{a}$ are very, very small, so the result looks very similar to Figure 2 and is amenable to resampling as described.

CONCLUSIONS AND FUTURE WORK

We have shown that the N-dimensional Gaussian may be prepared efficiently on a sufficiently large quantum computer and described how such a state may be used to perform resampling. The next goal is to devise another state preparation algorithm to prepare wavefunctions that approximate the basis states of the quantum harmonic oscillator in N dimensions. If this is achieved, it is conjectured that such an algorithm will be easily modified into one that prepares approximations of the basis states of the Landau level, another type of elementary quantum system.

ACKNOWLEDGMENTS

This research was funded by Caltech's Summer Undergraduate Research Fellowship (SURF) Program. W.W. would like to thank Ning Bao, Erik Winfree, and David Renshaw for helpful comments and discussion.

-
- [1] P. W. Shor, "Algorithms for quantum computation: Discrete logarithms and factoring", in Proceedings of the 35th Annual Symposium on Foundations of Computer Science, IEEE Press, Los Alamitos, CA, pp. 124–134 (1994).
 - [2] L. K. Grover, "Quantum mechanics helps in searching for a needle in a haystack", Phys. Rev. Lett. **79**, 325, 1997.
 - [3] M. A. Nielsen, I. L. Chuang, "Quantum computation and quantum algorithms", Cambridge University Press 2000.
 - [4] A. Yu. Kitaev, A. H. Shen, M. N. Vyalyi, "Classical and quantum computation", Graduate Studies in Mathematics, Vol. **47**. American Mathematical Society, 2002.
 - [5] C. H. Bennett, "Logical reversibility of computations", IBM J. Res. Develop. **17** 525-532 (1973).
 - [6] T. Toffoli, "Reversible computing, automata, languages and programming", Seventh Colloq., Lecture Notes in Computer Science No. **84**, pp. 632-644, Springer-Verlag, 1980.